



US00D773057S

(12) **United States Design Patent** (10) **Patent No.:** **US D773,057 S**
Vandiver (45) **Date of Patent:** **** Nov. 29, 2016**

(54) **HEALTH SENSOR BODY**
(71) Applicant: **SCOSCHE INDUSTRIES, INC.**,
Oxnard, CA (US)
(72) Inventor: **Jesse Vandiver**, Oak View, CA (US)
(73) Assignee: **SCOSCHE INDUSTRIES, INC.**,
Oxnard, CA (US)
(**) Term: **15 Years**
(21) Appl. No.: **29/543,999**
(22) Filed: **Oct. 29, 2015**
(51) **LOC (10) Cl.** **24-02**
(52) **U.S. Cl.**
USPC **D24/186**
(58) **Field of Classification Search**
USPC D24/165-168, 186, 187, 107, 231;
D10/70, 75, 98, 30-32, 38; D11/3-5;
D14/344, 138 R
CPC .. A61B 5/6802; A61B 5/681; A61B 5/6824;
A61B 2560/0412; A61B 2560/0431; A61B
2560/0443; A61B 2560/0462; A61B
2560/0468; A61B 5/02405; A61B 5/02411;
A61B 5/02427; A61B 5/02438; G08B
21/0211
See application file for complete search history.

(56) **References Cited**
U.S. PATENT DOCUMENTS
D597,676 S * 8/2009 Copeland D24/187
D619,256 S * 7/2010 Brady D24/167
D631,552 S * 1/2011 Kasabach D24/186
D640,937 S * 7/2011 Uedelhoven D10/38

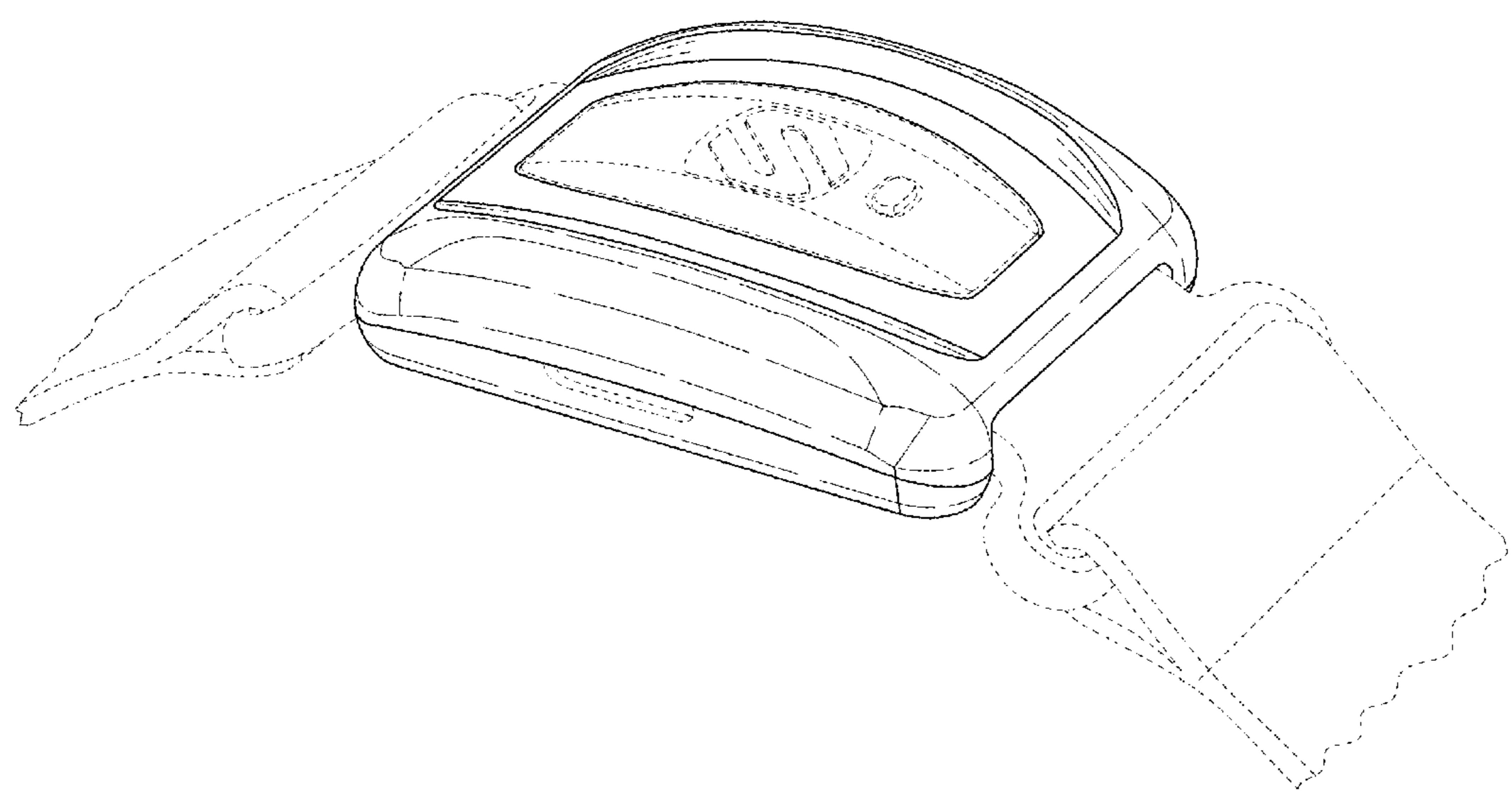
D645,968 S * 9/2011 Kasabach D24/186
D674,488 S * 1/2013 McKay D24/167
D677,792 S * 3/2013 Vandiver D24/167
D747,494 S * 1/2016 Tamsiran D24/186
D751,069 S * 3/2016 Choi D10/32
D753,314 S * 4/2016 Stivoric D24/187
2015/0173675 A1* 6/2015 Shimizu A61B 5/02427
600/476
2015/0241917 A1* 8/2015 Seok A61B 5/681
361/679.03

* cited by examiner
Primary Examiner — Anhdao Doan
(74) *Attorney, Agent, or Firm* — Stetina Brunda Garred & Brucker

(57) **CLAIM**
The ornamental design for a health sensor body, as shown and described.

DESCRIPTION
FIG. 1 is a front perspective of a health sensor body showing my new design;
FIG. 2 is a left side view thereof;
FIG. 3 is a front view thereof;
FIG. 4 is a top plan thereof;
FIG. 5 is a bottom plan thereof;
FIG. 6 is a rear view thereof; and,
FIG. 7 is a right side view thereof.
The broken lines depicting connector and strap in FIG. 1 illustrate environmental structures, and all other broken lines illustrate portions of the health sensor body that form no part of the claimed design. The broken lines form no part of the claimed design.

1 Claim, 3 Drawing Sheets



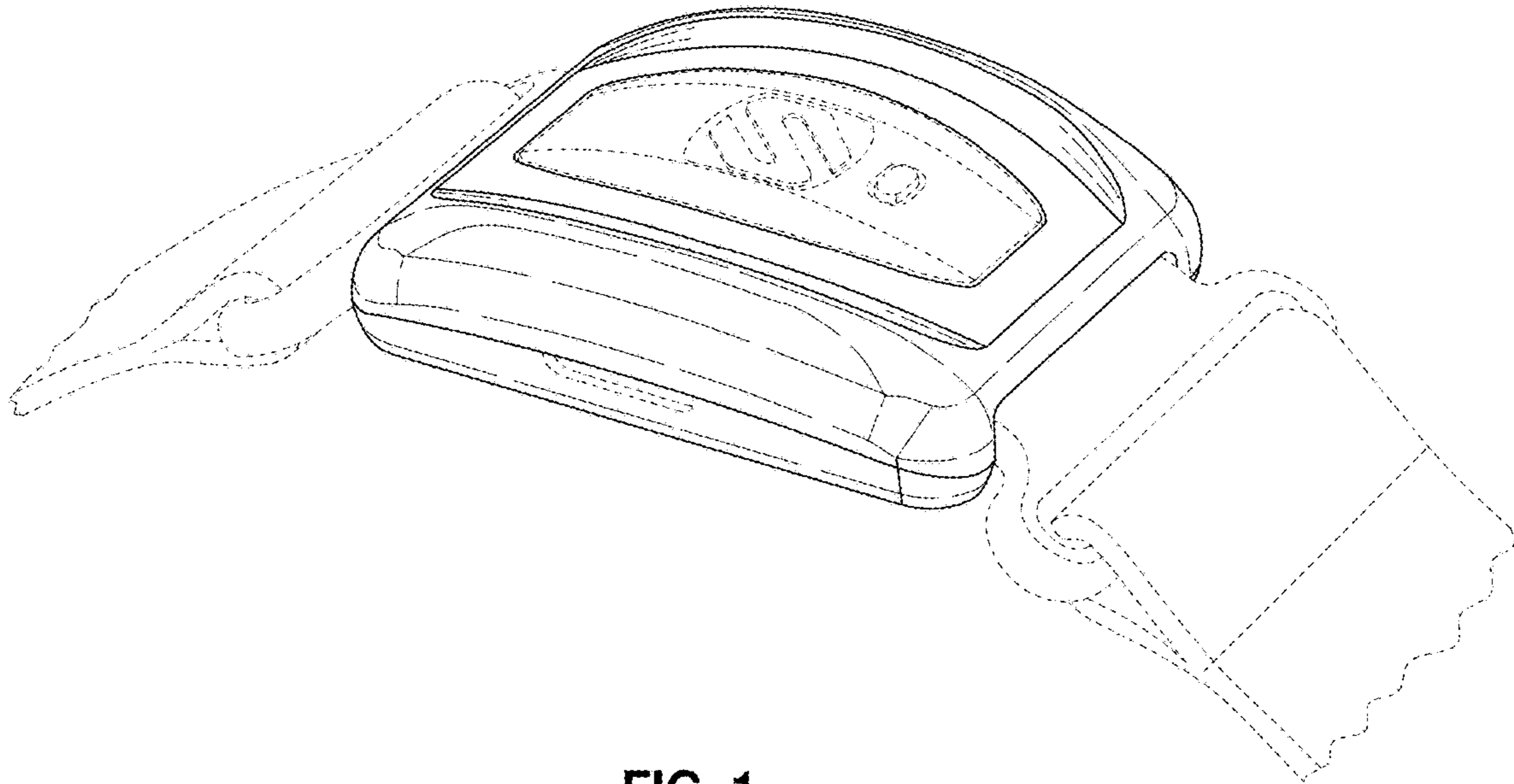


FIG. 1

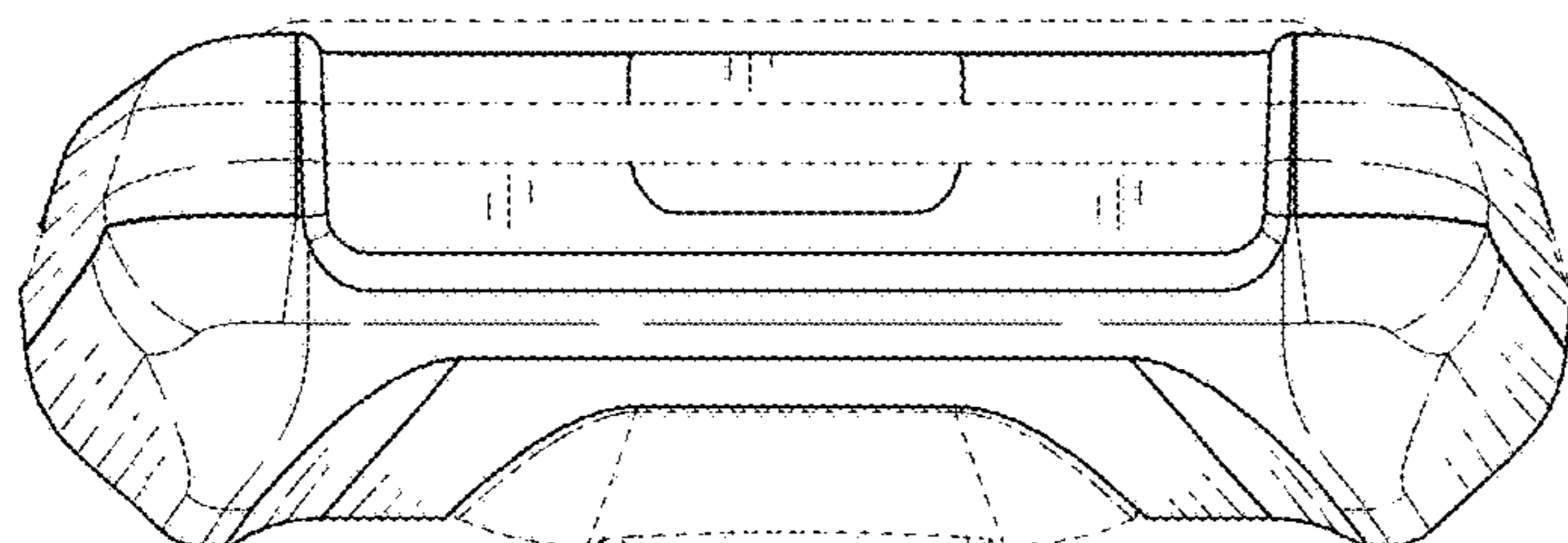


FIG. 2

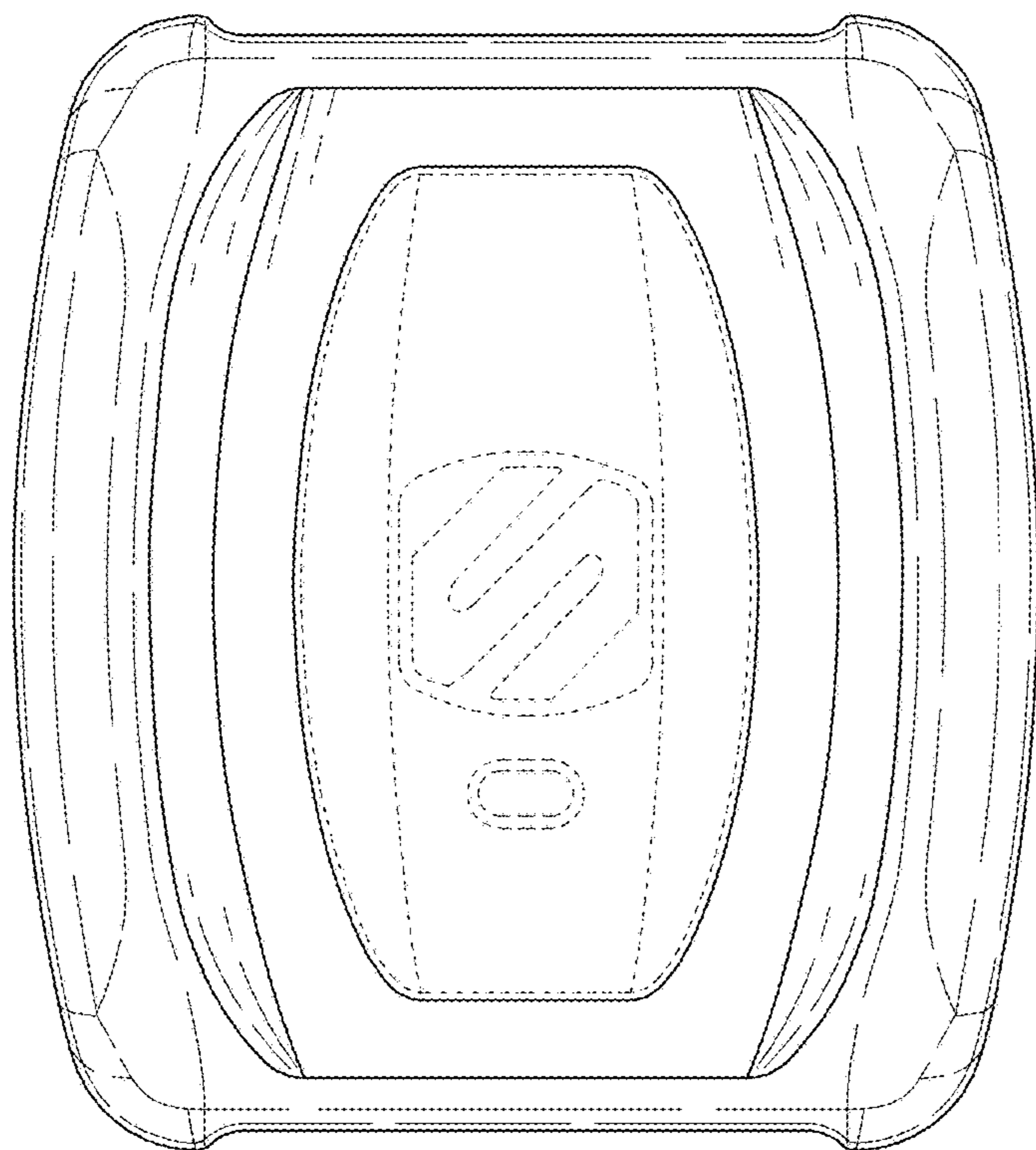


FIG. 3

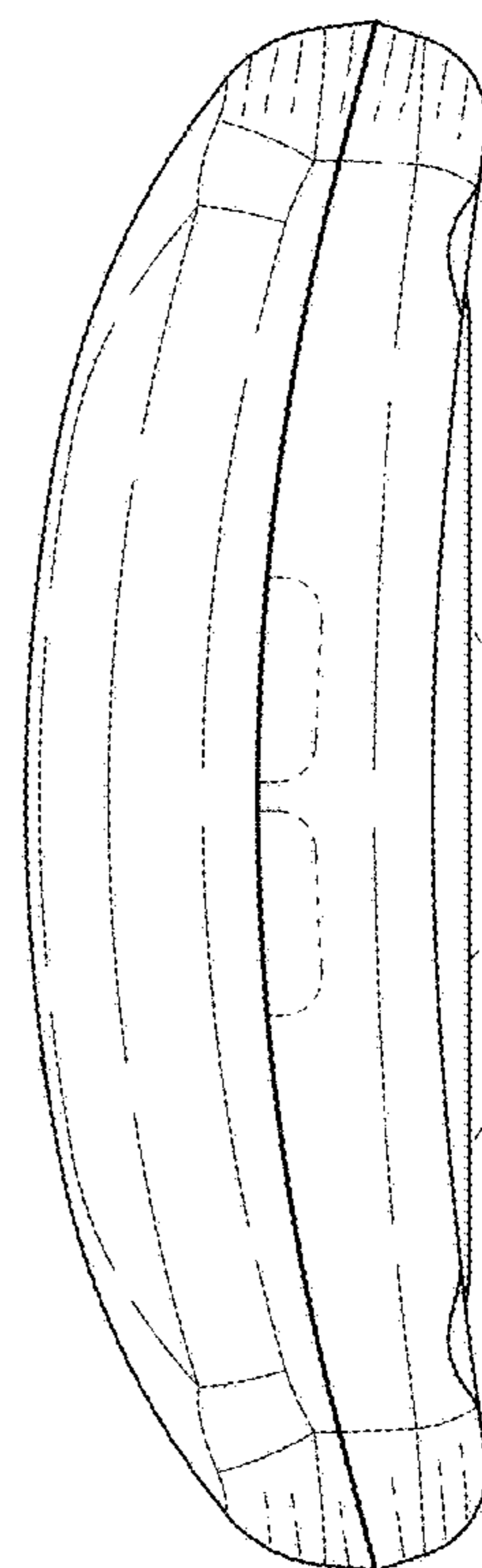


FIG. 4

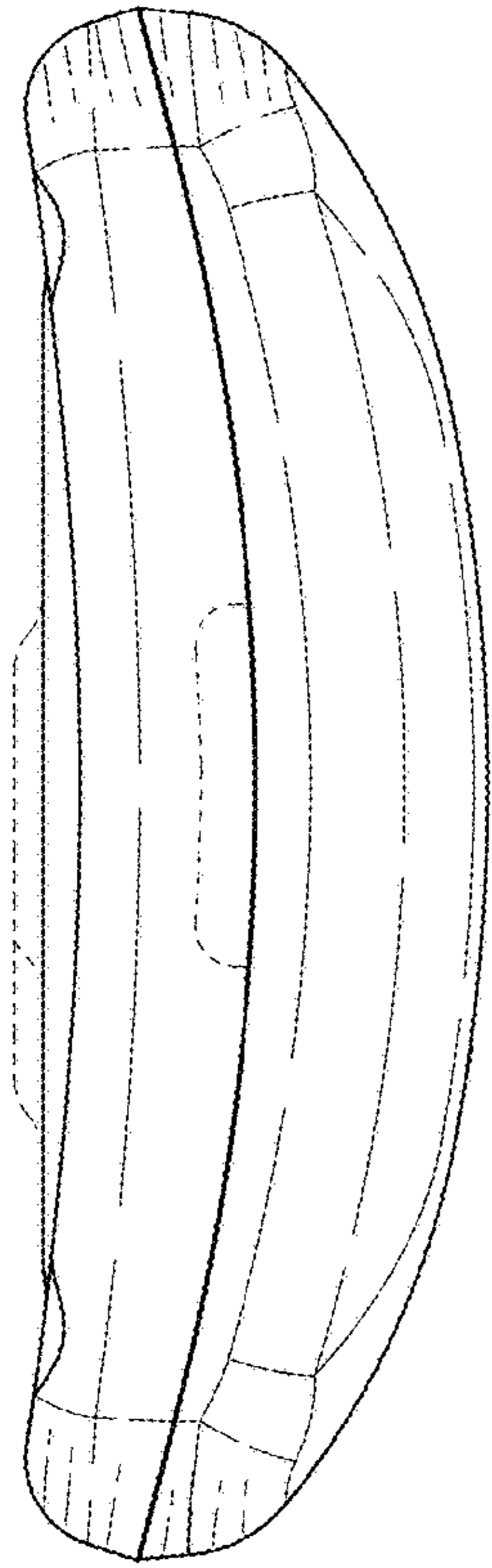


FIG. 5

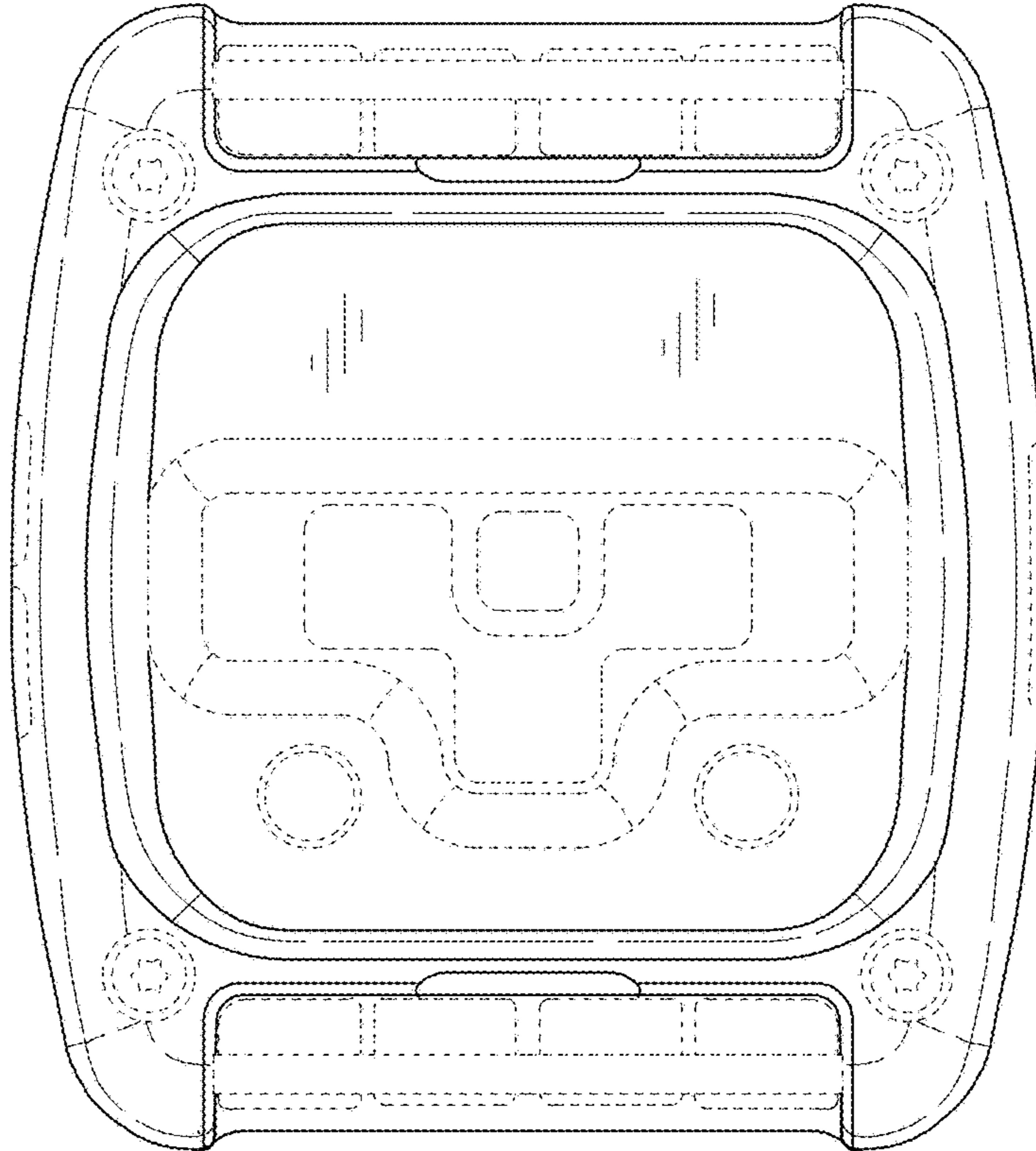


FIG. 6

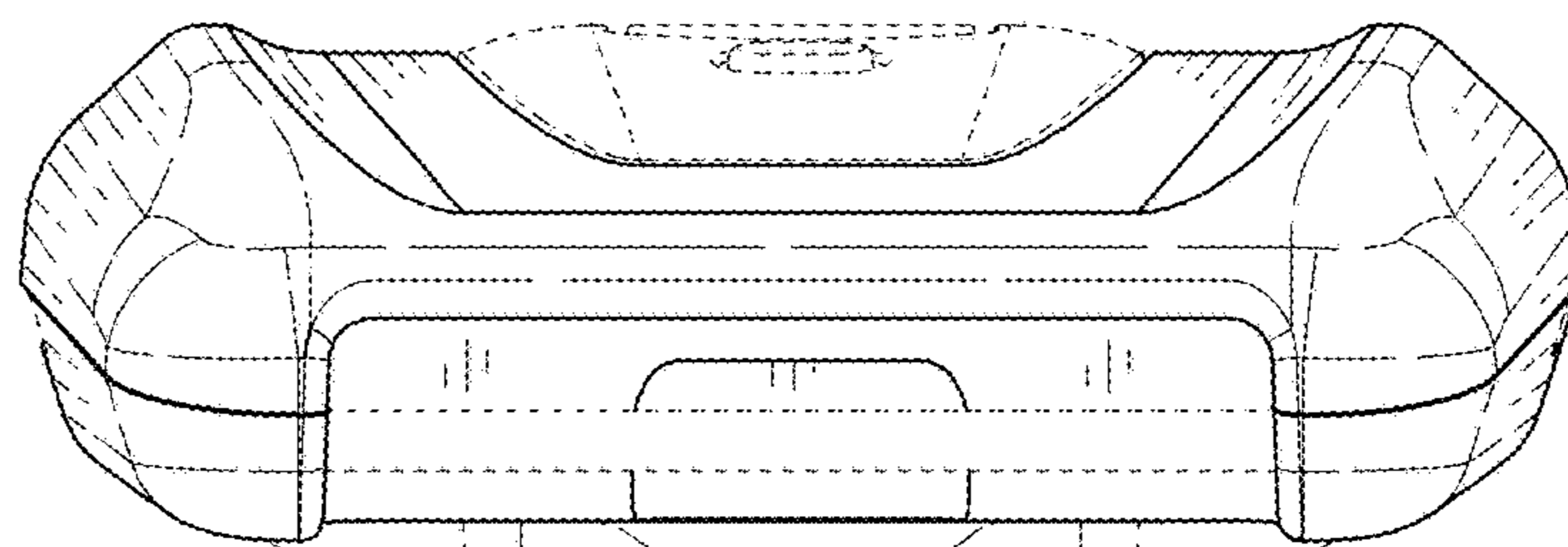


FIG. 7