



US00D773056S

(12) **United States Design Patent**
Vlach

(10) **Patent No.:** **US D773,056 S**

(45) **Date of Patent:** **** Nov. 29, 2016**

(54) **WEARABLE MEDICAL DATA COLLECTION APPARATUS FOR COLLECTING ECG DATA**

(71) Applicant: **Braemar Manufacturing, LLC**, Eagan, MN (US)

(72) Inventor: **Erich Vlach**, San Diego, CA (US)

(**) Term: **15 Years**

(21) Appl. No.: **29/541,764**

(22) Filed: **Oct. 7, 2015**

(51) **LOC (10) Cl.** **24-02**

(52) **U.S. Cl.**
USPC **D24/186**

(58) **Field of Classification Search**

USPC D24/165-168, 186, 187, 107, 231;
D10/70, 75, 98; D14/480.1, 480.3,
D14/433, 435.1

CPC A61B 2560/0443; A61B 2560/045;
A61B 5/02405; A61B 5/02411; A61B
5/02427; A61B 5/02438; A61B 5/002;
A61B 5/04325; G08B 21/0211; G06F 13/385
See application file for complete search history.

(56) **References Cited**

U.S. PATENT DOCUMENTS

D348,104 S *	6/1994	Olsen	D24/167
D508,565 S *	8/2005	Nephtin	D14/336
8,370,549 B2 *	2/2013	Burton	A63B 24/00 703/1
D679,813 S *	4/2013	Ashkenazi	D24/167
D718,868 S *	12/2014	Schroderus	D24/167
D741,865 S *	10/2015	Sundermeyer	D14/433
2009/0018456 A1 *	1/2009	Hung	A61B 5/02438 600/509

2011/0237924 A1 *	9/2011	McGusty	A61B 5/0006 600/391
2012/0110226 A1	5/2012	Vlach et al.		
2012/0110228 A1	5/2012	Vlach et al.		
2013/0225938 A1	8/2013	Vlach		
2016/0135696 A1 *	5/2016	Cobbett	A61B 5/02416 600/479

* cited by examiner

Primary Examiner — Anhdao Doan

(74) *Attorney, Agent, or Firm* — Ropes & Gray LLP

(57) **CLAIM**

The ornamental design for a wearable medical data collection apparatus for collecting ECG data, as shown and described.

DESCRIPTION

FIG. 1 is a front view of the wearable medical data collection apparatus for collecting ECG data.

FIG. 2 is a back view of the wearable medical data collection apparatus for collecting ECG data.

FIG. 3 is a right side view of the wearable medical data collection apparatus for collecting ECG data.

FIG. 4 is a left side view of the wearable medical data collection apparatus for collecting ECG data.

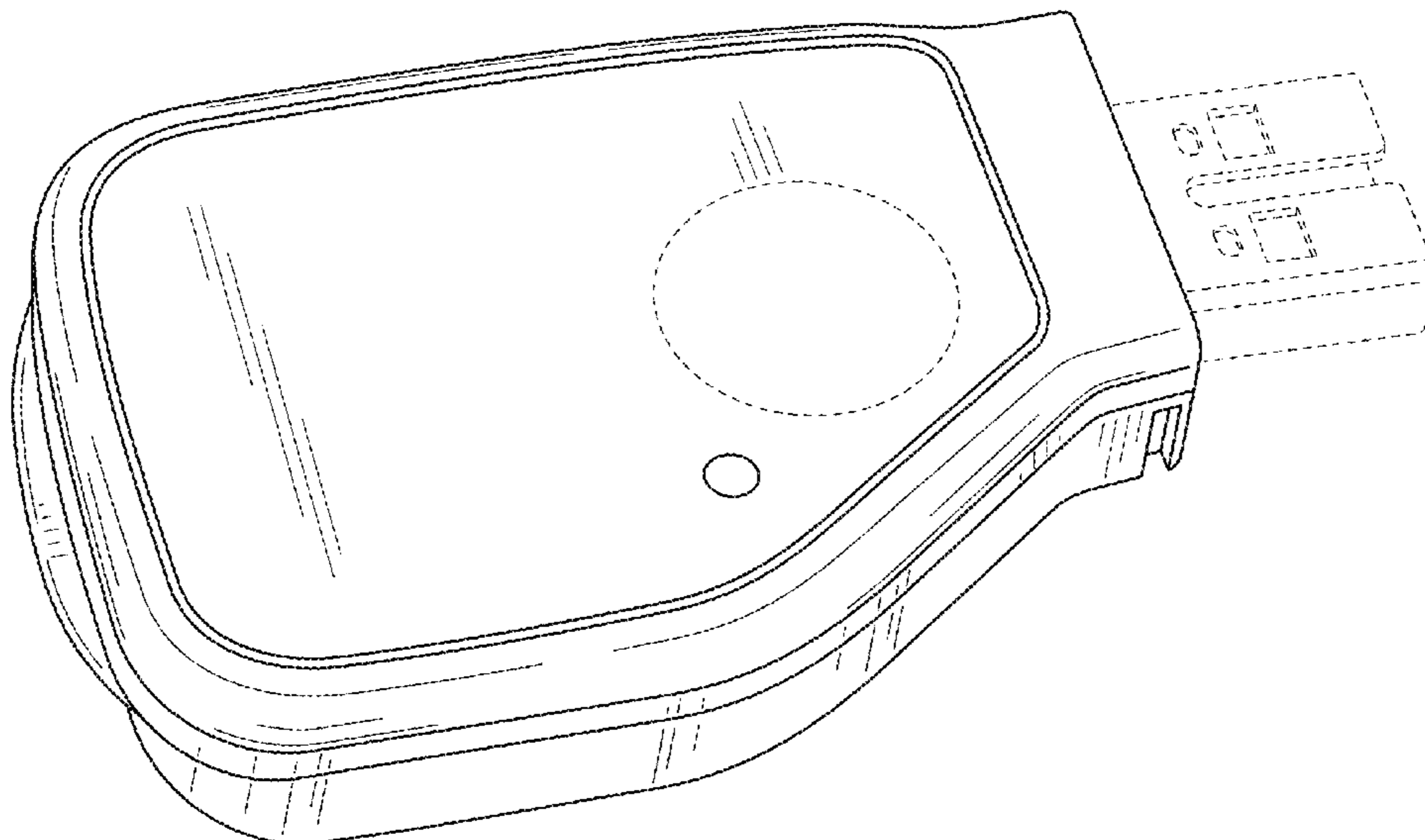
FIG. 5 is a top view of the wearable medical data collection apparatus for collecting ECG data.

FIG. 6 is a bottom view of the wearable medical data collection apparatus for collecting ECG data; and,

FIG. 7 is a front perspective view of the wearable medical data collection apparatus for collecting ECG data.

The broken lines in the drawing views are included for the purposes of illustrating portions of the wearable medical data collection apparatus for collecting ECG data that form no part of the claimed design.

1 Claim, 4 Drawing Sheets



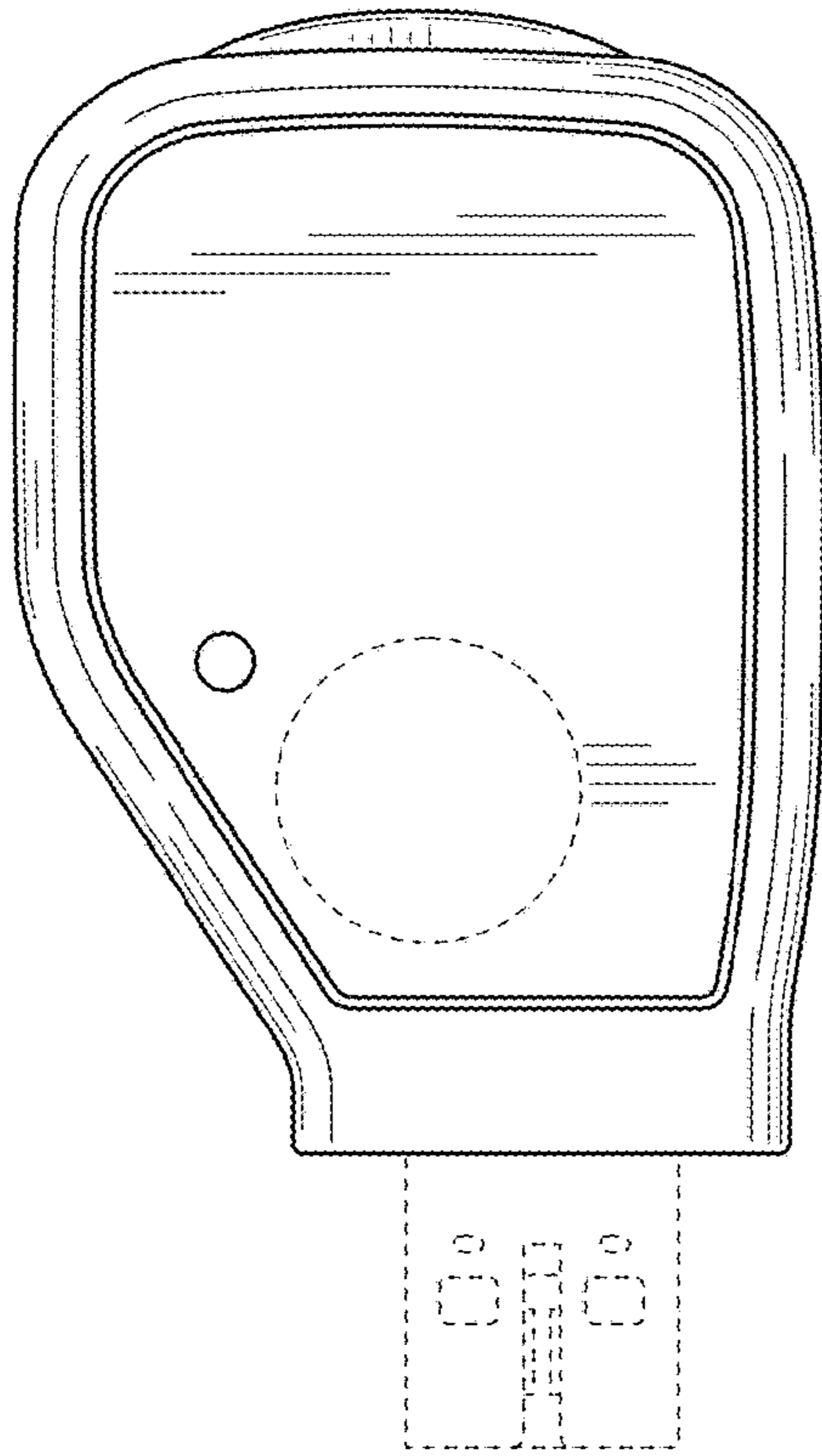


FIG. 1

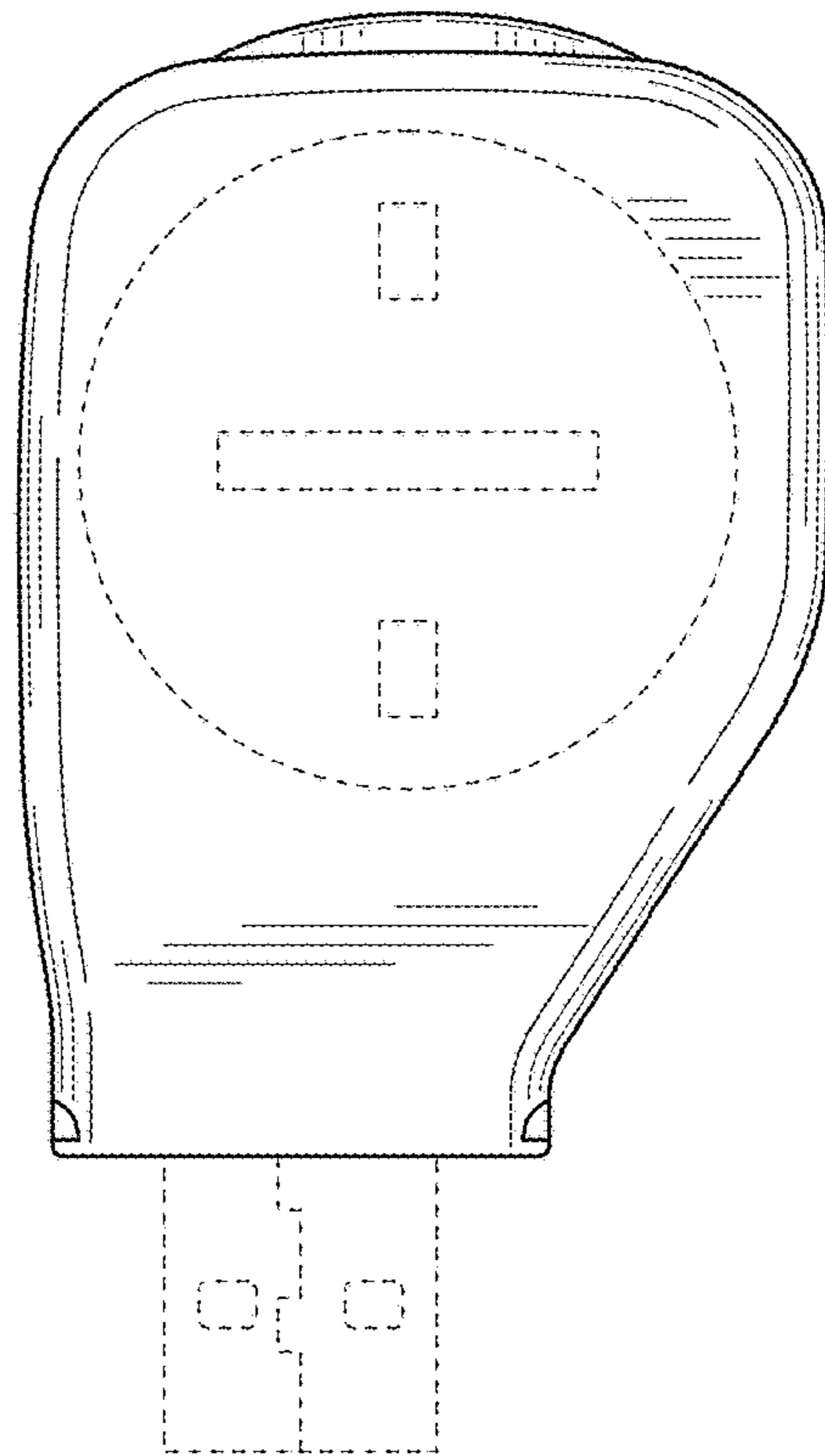


FIG. 2

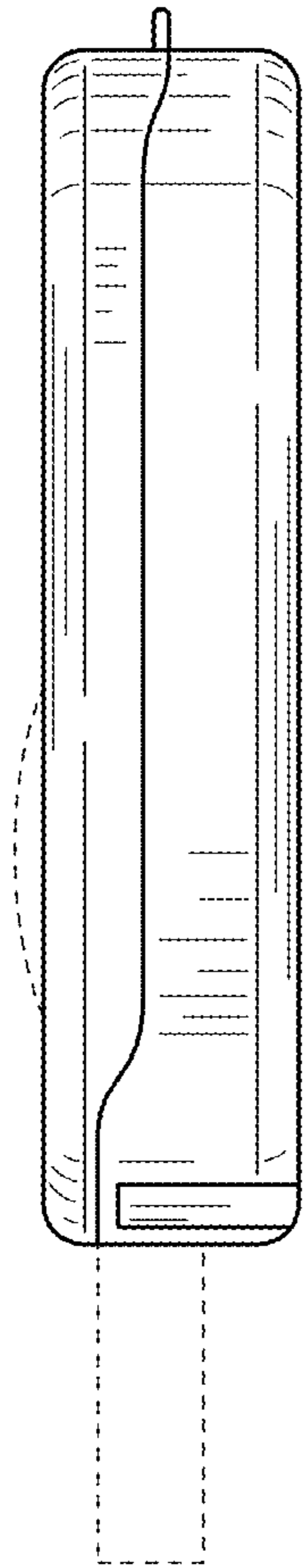


FIG. 3

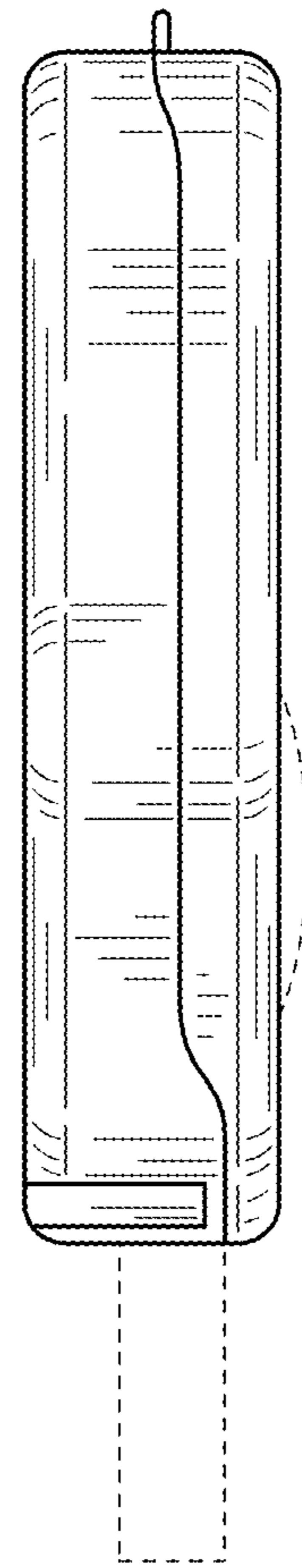


FIG. 4

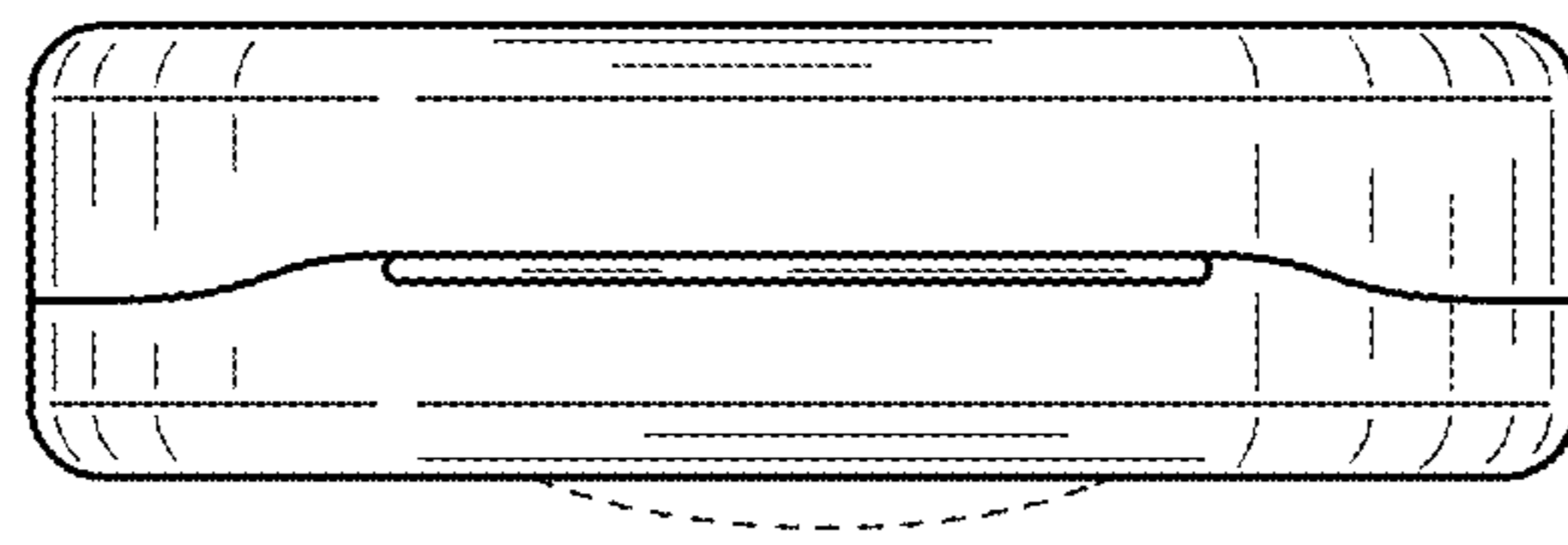


FIG. 5

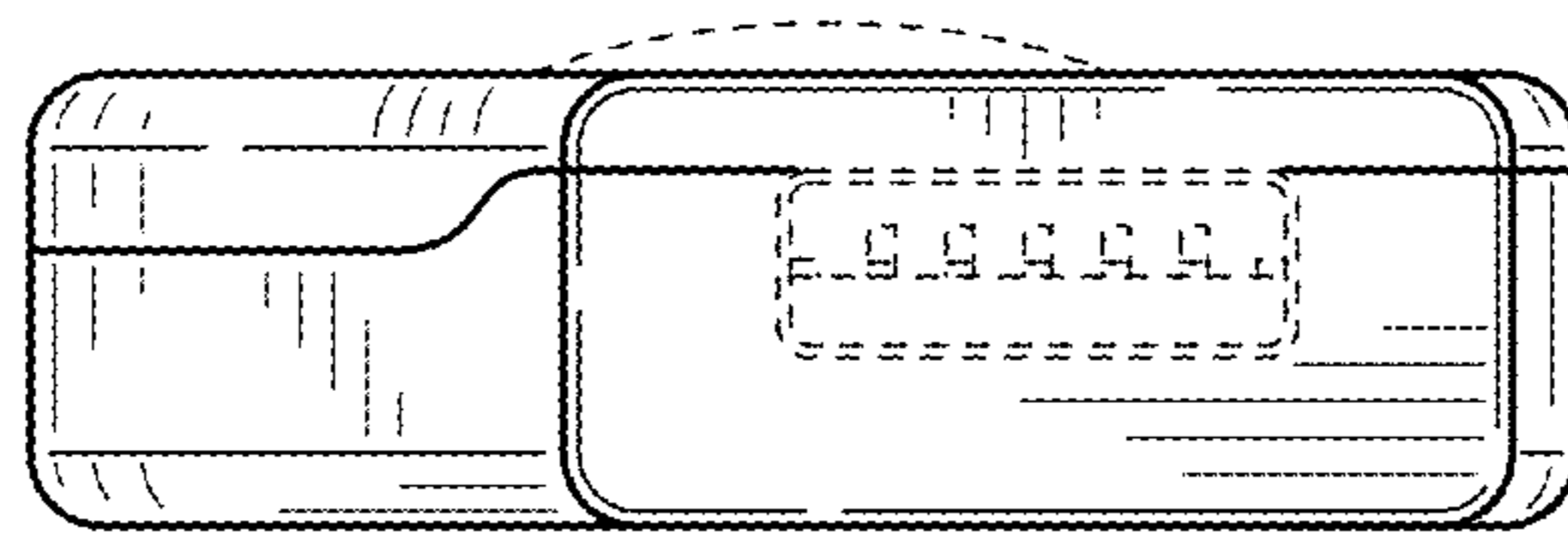


FIG. 6

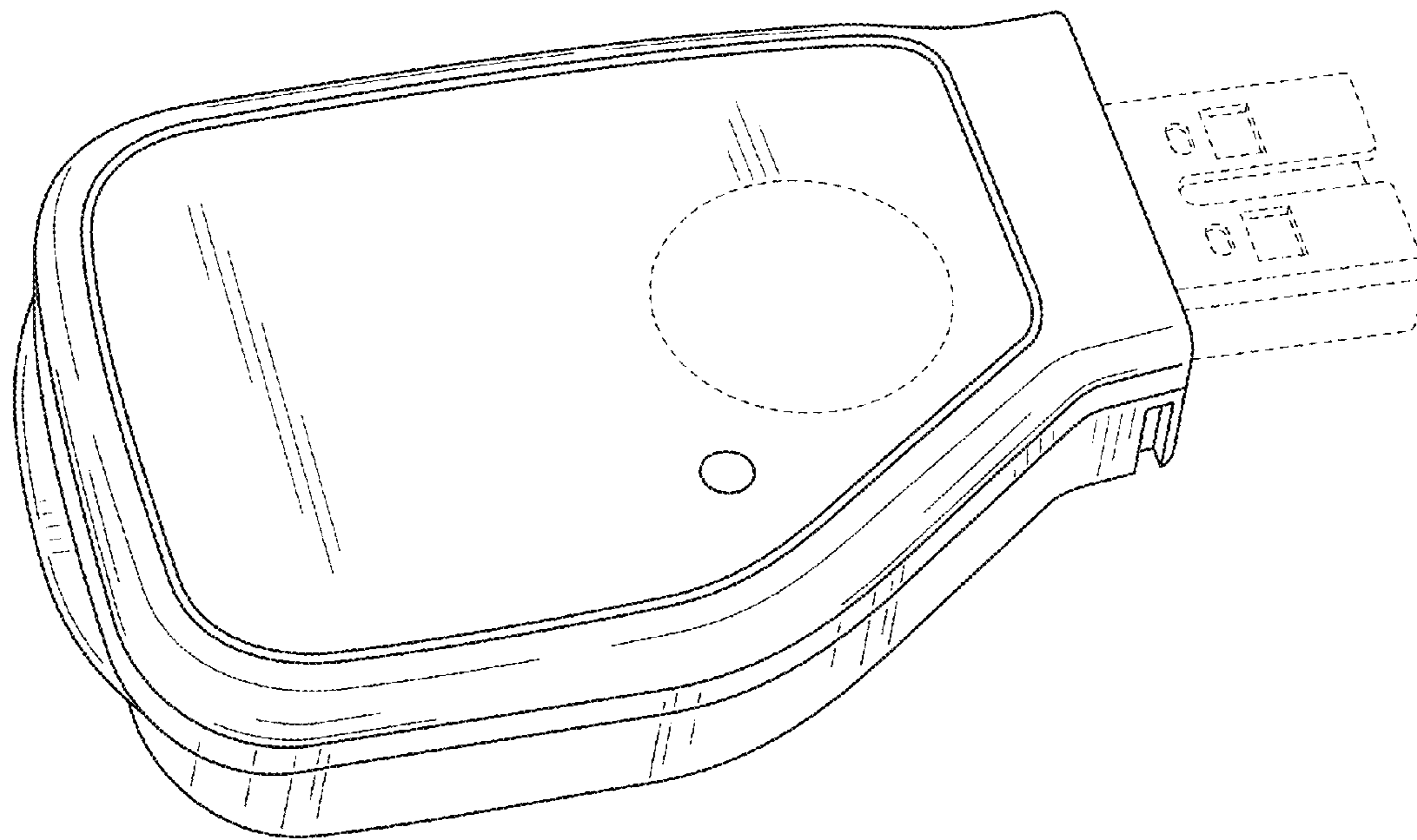


FIG. 7