



US00D773055S

(12) **United States Design Patent**
Krauss et al.

(10) **Patent No.:** **US D773,055 S**

(45) **Date of Patent:** **** Nov. 29, 2016**

(54) **BREATH CARTRIDGE AND HANDLE IN COMBINATION**

(71) Applicant: **Pulse Health LLC**, Portland, OR (US)

(72) Inventors: **Martin Krauss**, Fort Myers, FL (US);
Scot Herbst, San Jose, CA (US)

(73) Assignee: **PULSE HEALTH LLC**, Portland, OR (US)

(**) Term: **15 Years**

(21) Appl. No.: **29/531,771**

(22) Filed: **Jun. 29, 2015**

(51) **LOC (10) Cl.** **24-02**

(52) **U.S. Cl.**
USPC **D24/186; D24/169; D10/81**

(58) **Field of Classification Search**
USPC D24/164–169, 186, 107, 129, 110.4,
D24/110.6, 110; D10/96, 81, 103; D13/133
CPC G01N 33/497; G01N 33/4972; G01N
33/4975; G01N 2001/2244; G01N 2033/4975
See application file for complete search history.

(56) **References Cited**

U.S. PATENT DOCUMENTS

D399,317 S *	10/1998	Nenye	D24/164
D409,750 S *	5/1999	Hacker	D24/169
D411,010 S *	6/1999	Harbrecht	D24/164
5,924,994 A *	7/1999	Harbrecht	A61B 5/087 600/532
D518,573 S *	4/2006	French	D24/129
D577,117 S *	9/2008	Biener	D24/129
8,002,712 B2 *	8/2011	Meka	G01N 33/497 600/529
D691,717 S *	10/2013	McLean	D24/110.6
D692,128 S *	10/2013	Miller	D24/110.6

(Continued)

Primary Examiner — Anhdao Doan

(74) *Attorney, Agent, or Firm* — Brown Hyatt Farber
Schreck, LLP

(57) **CLAIM**

The ornamental design for a breath cartridge and handle in combination, as shown and described.

DESCRIPTION

FIG. 1 is a front perspective view of a first embodiment of the present invention;

FIG. 2 is a right elevational view of the present invention shown in FIG. 1;

FIG. 3 is a left elevational view of the present invention shown in FIG. 1;

FIG. 4 is a front elevational view of the present invention shown in FIG. 1;

FIG. 5 is a rear elevational view of the present invention shown in FIG. 1;

FIG. 6 is a top plan view of the present invention shown in FIG. 1;

FIG. 7 is a bottom plan view of the present invention shown in FIG. 1;

FIG. 8 is a rear perspective view of the present invention shown in FIG. 1;

FIG. 9 is a front perspective view of a second embodiment of the present invention;

FIG. 10 is a right elevational view of the present invention shown in FIG. 9;

FIG. 11 is a left elevational view of the present invention shown in FIG. 9;

FIG. 12 is a front elevational view of the present invention shown in FIG. 9;

FIG. 13 is a rear elevational view of the present invention shown in FIG. 9;

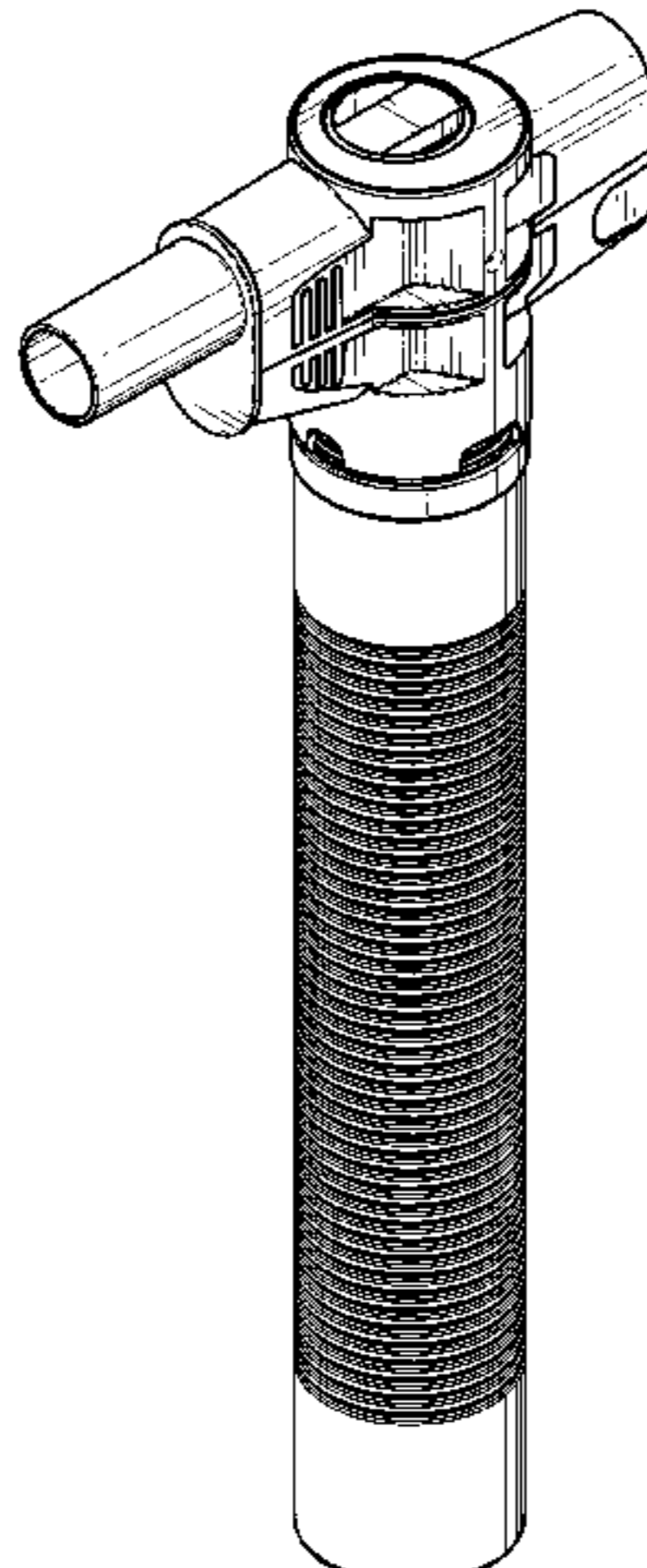
FIG. 14 is a top plan view of the present invention shown in FIG. 9;

FIG. 15 is a bottom plan view of the present invention shown in FIG. 9; and,

FIG. 16 is a rear perspective view of the present invention shown in FIG. 9.

In the drawings, the broken lines immediately adjacent the shaded areas represent the bounds of the claim, and all other broken lines illustrate environmental subject matter. The broken lines form no part of the claimed design.

1 Claim, 14 Drawing Sheets



US D773,055 S

Page 2

(56)

References Cited

U.S. PATENT DOCUMENTS

D735,326 S *	7/2015	Gulliver	D24/129
2007/0093725 A1 *	4/2007	Shaw	A61B 5/097 600/543
D723,403 S *	3/2015	Nemer	D10/81

* cited by examiner

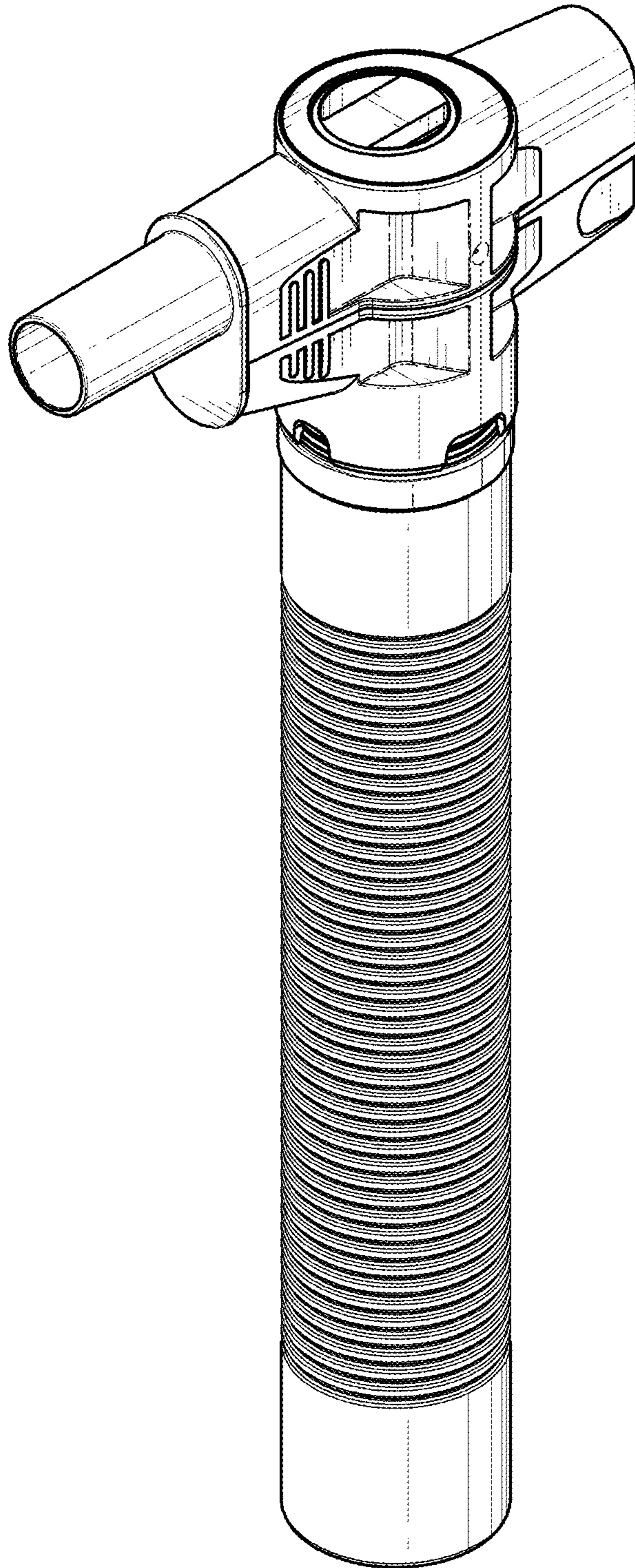


FIG. 1

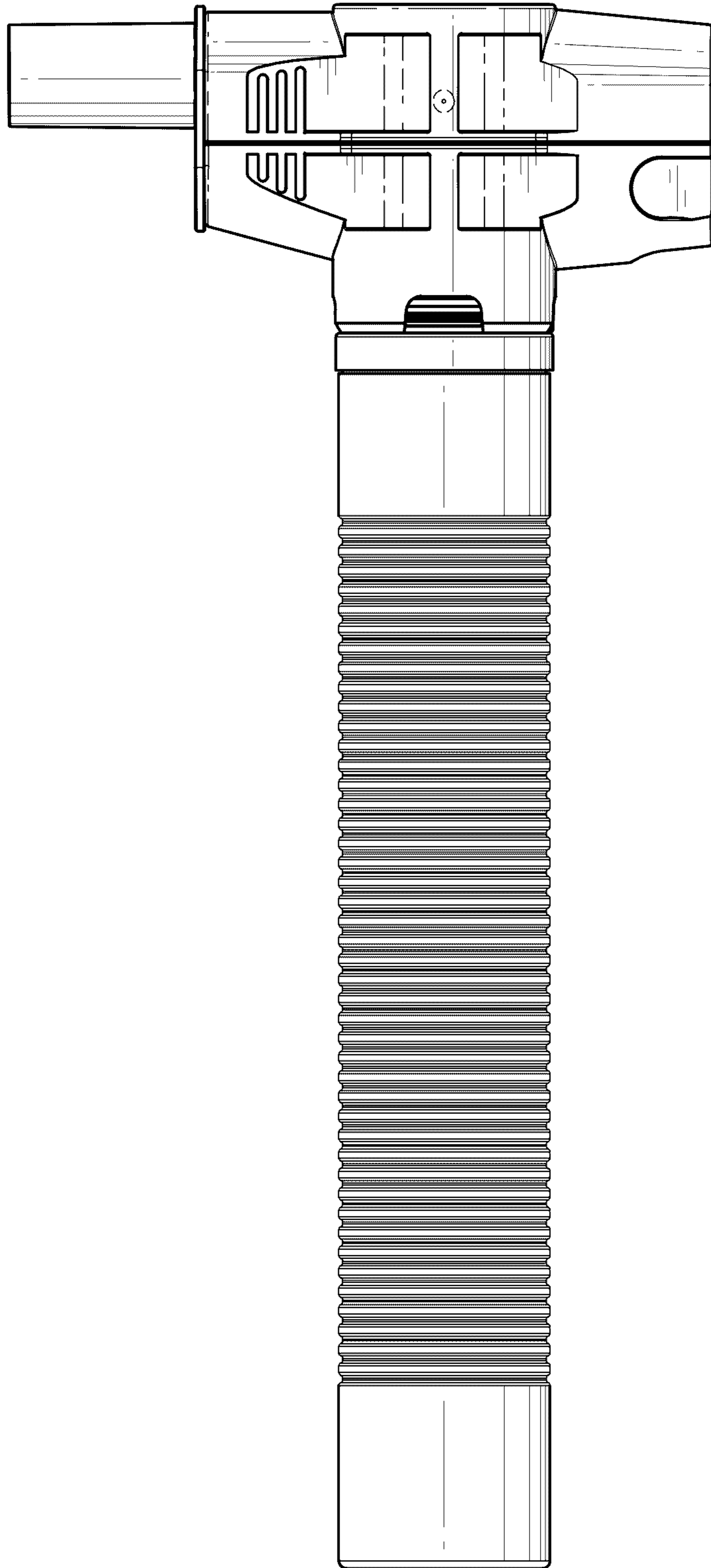


FIG. 2

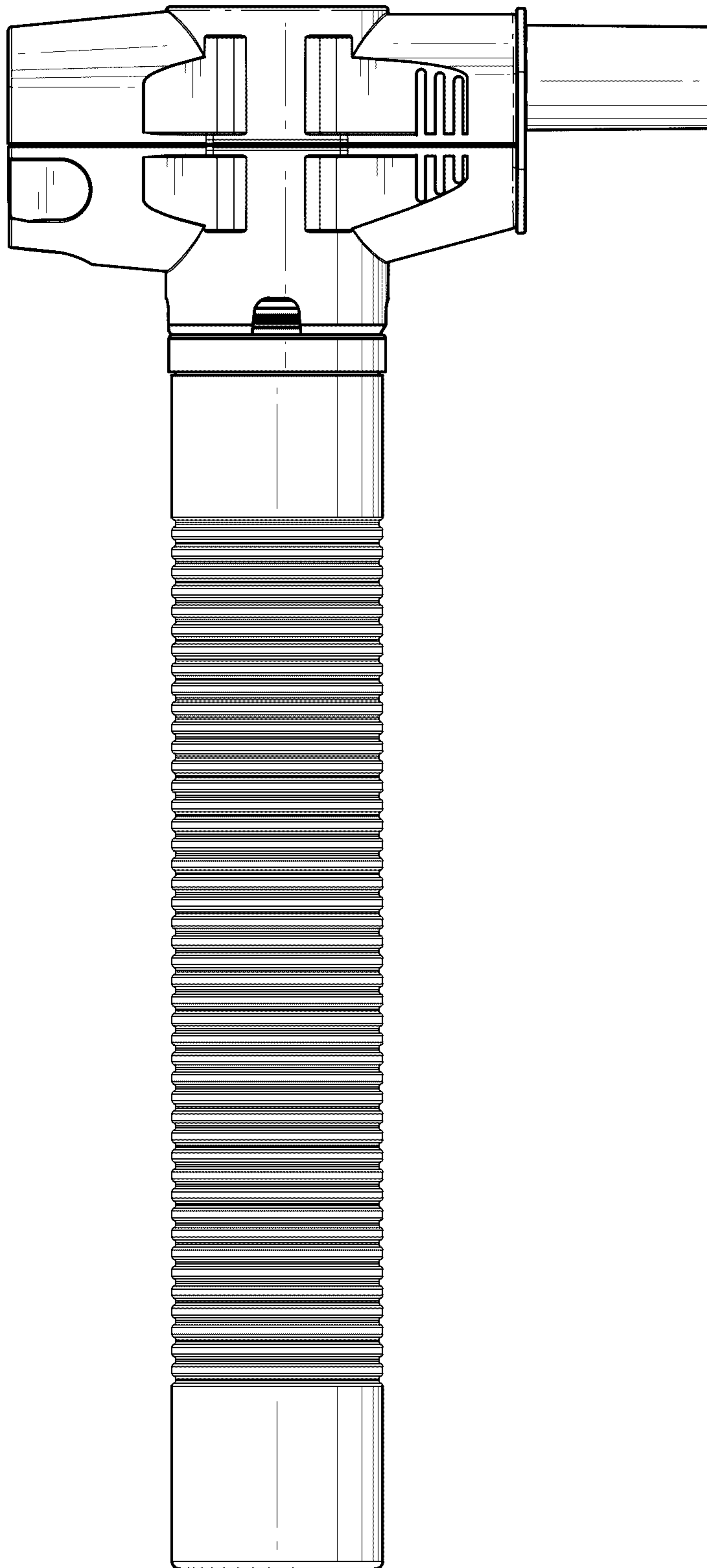


FIG. 3

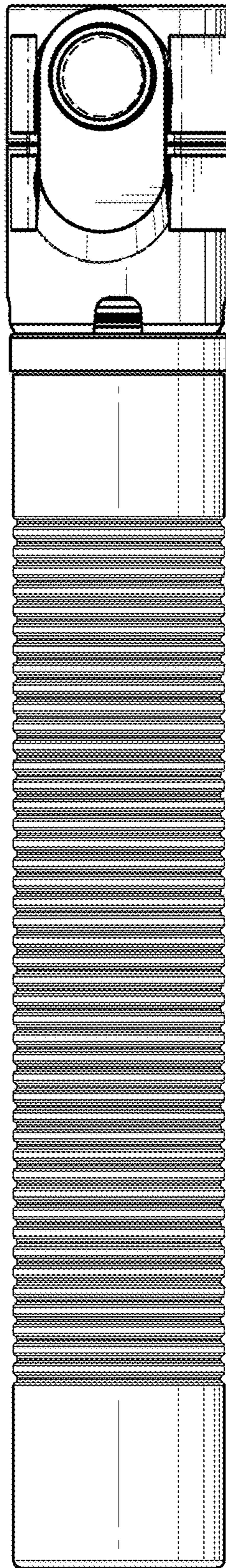


FIG. 4

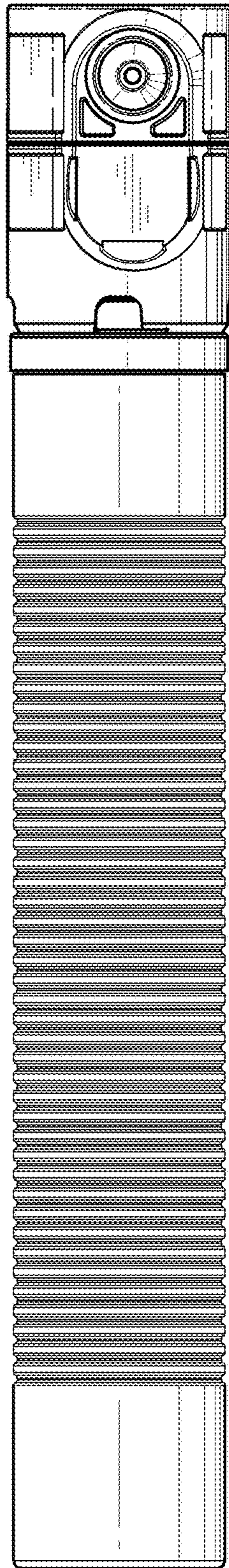


FIG. 5

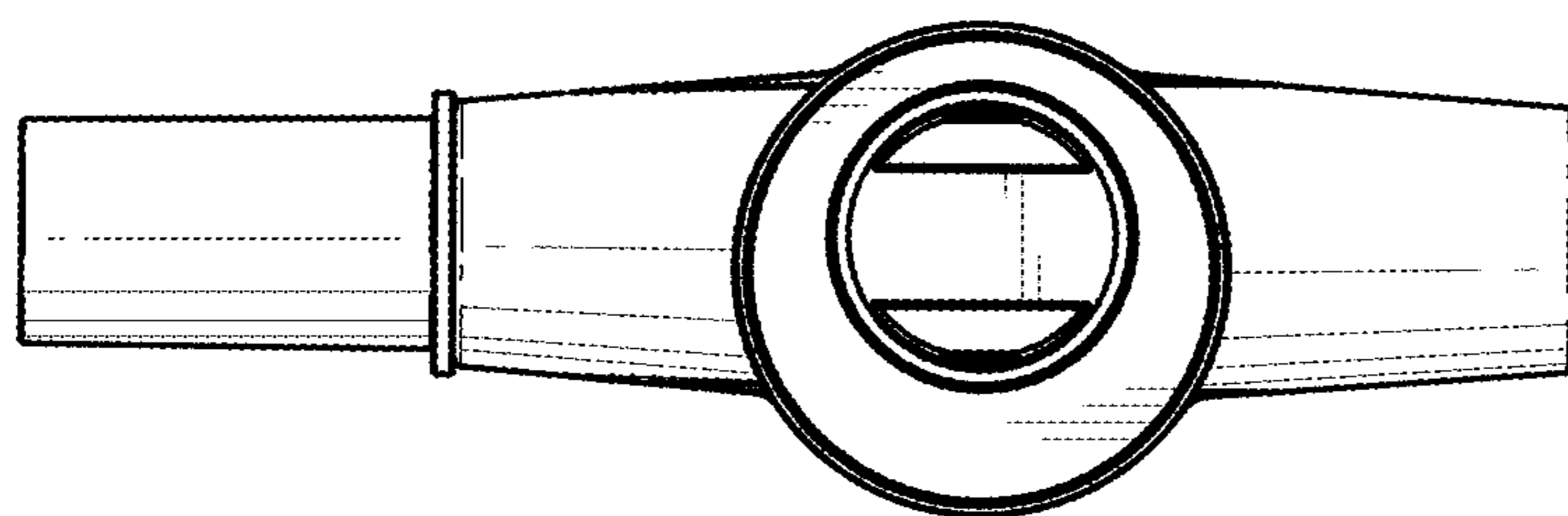


FIG. 6

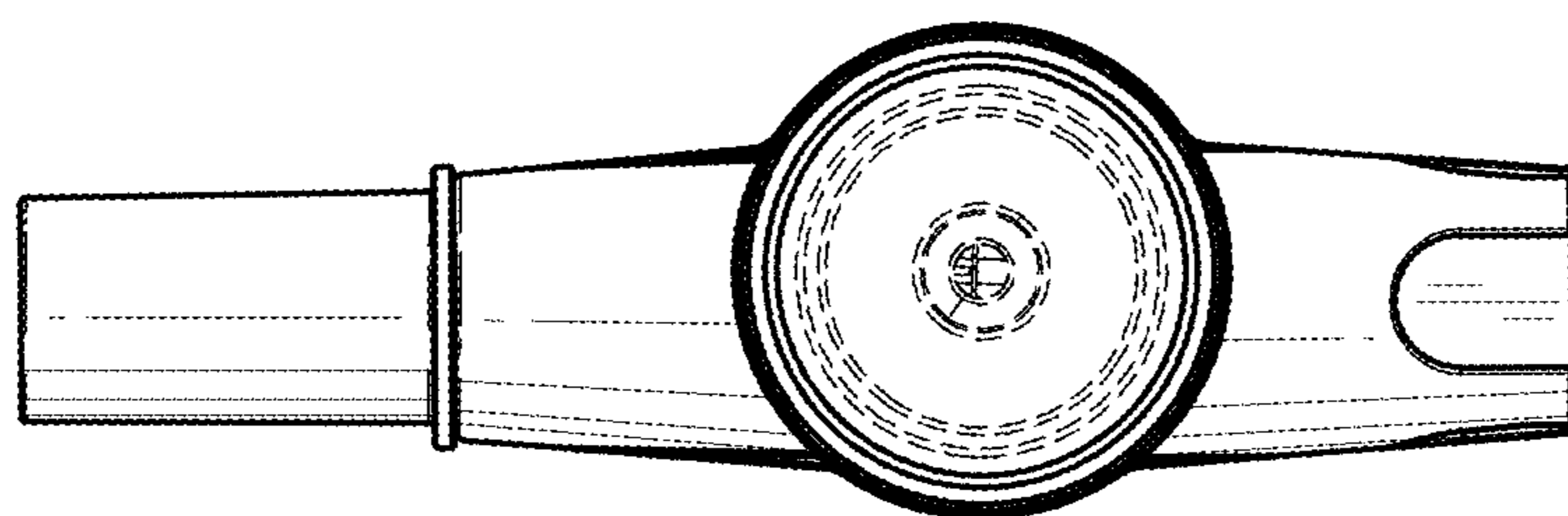


FIG. 7

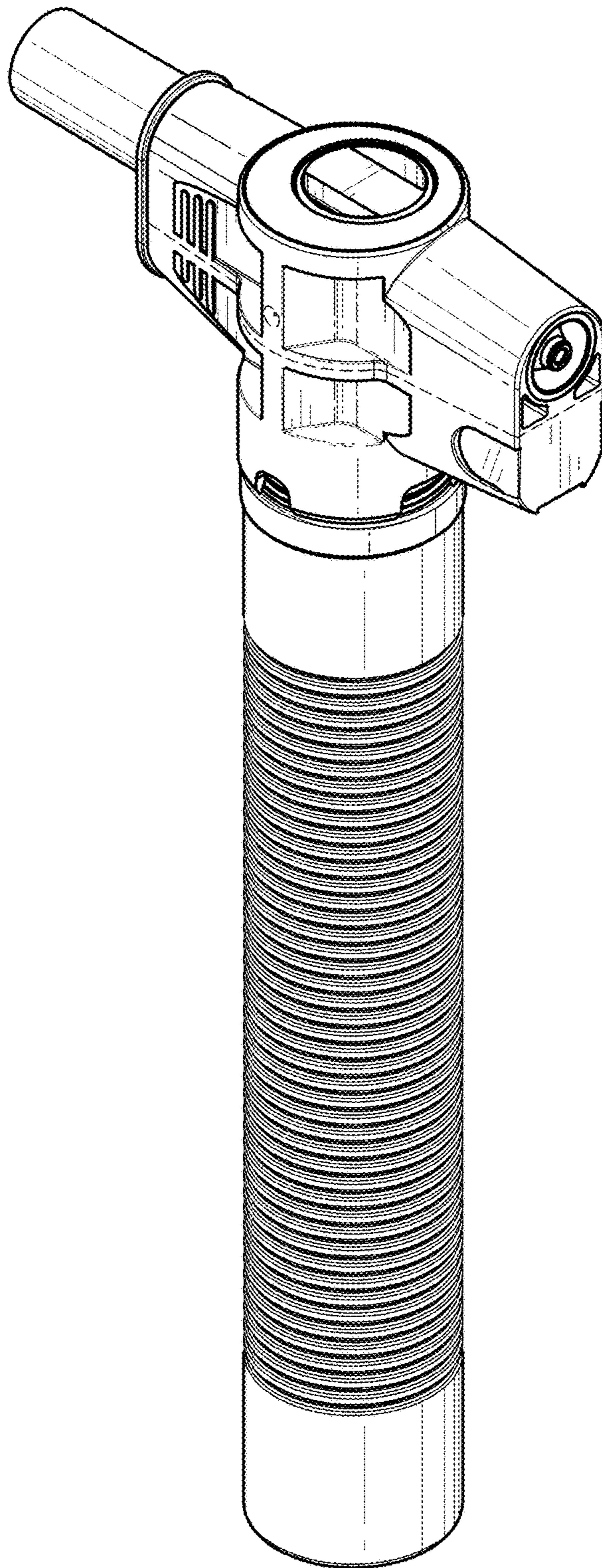


FIG. 8

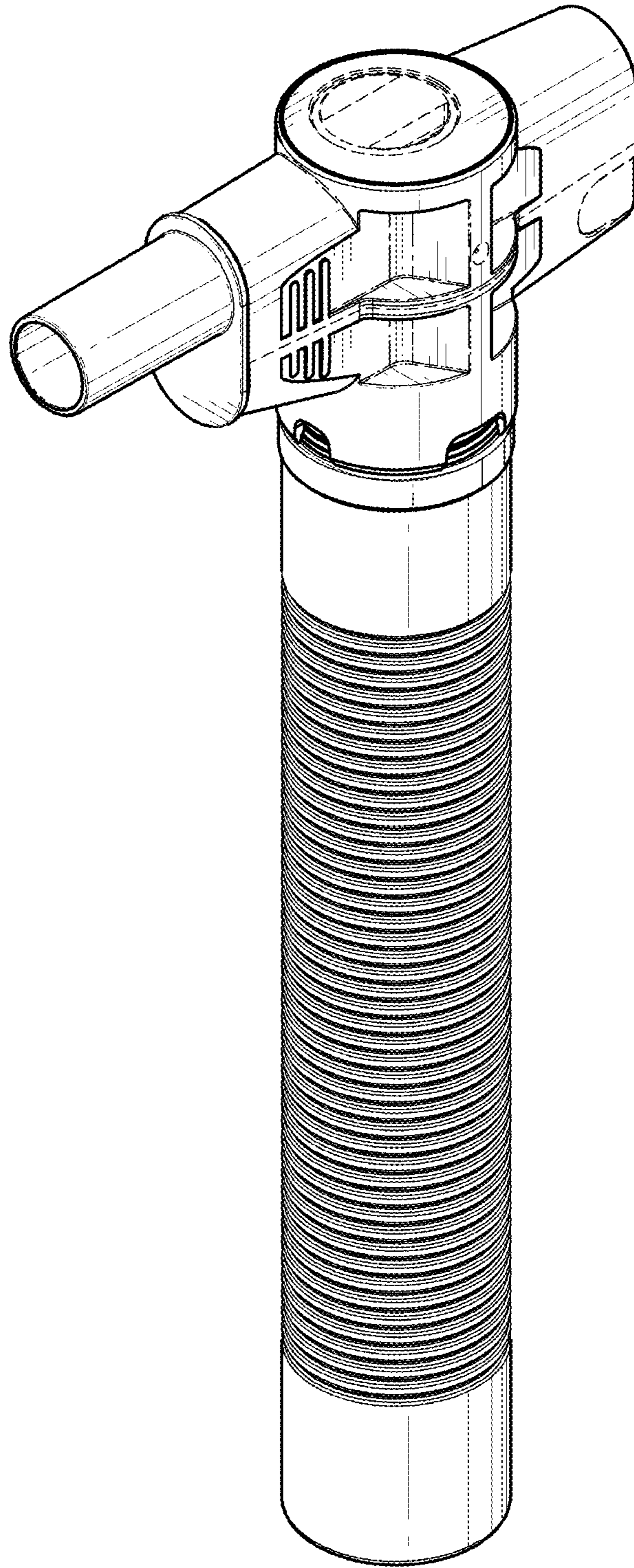


FIG. 9

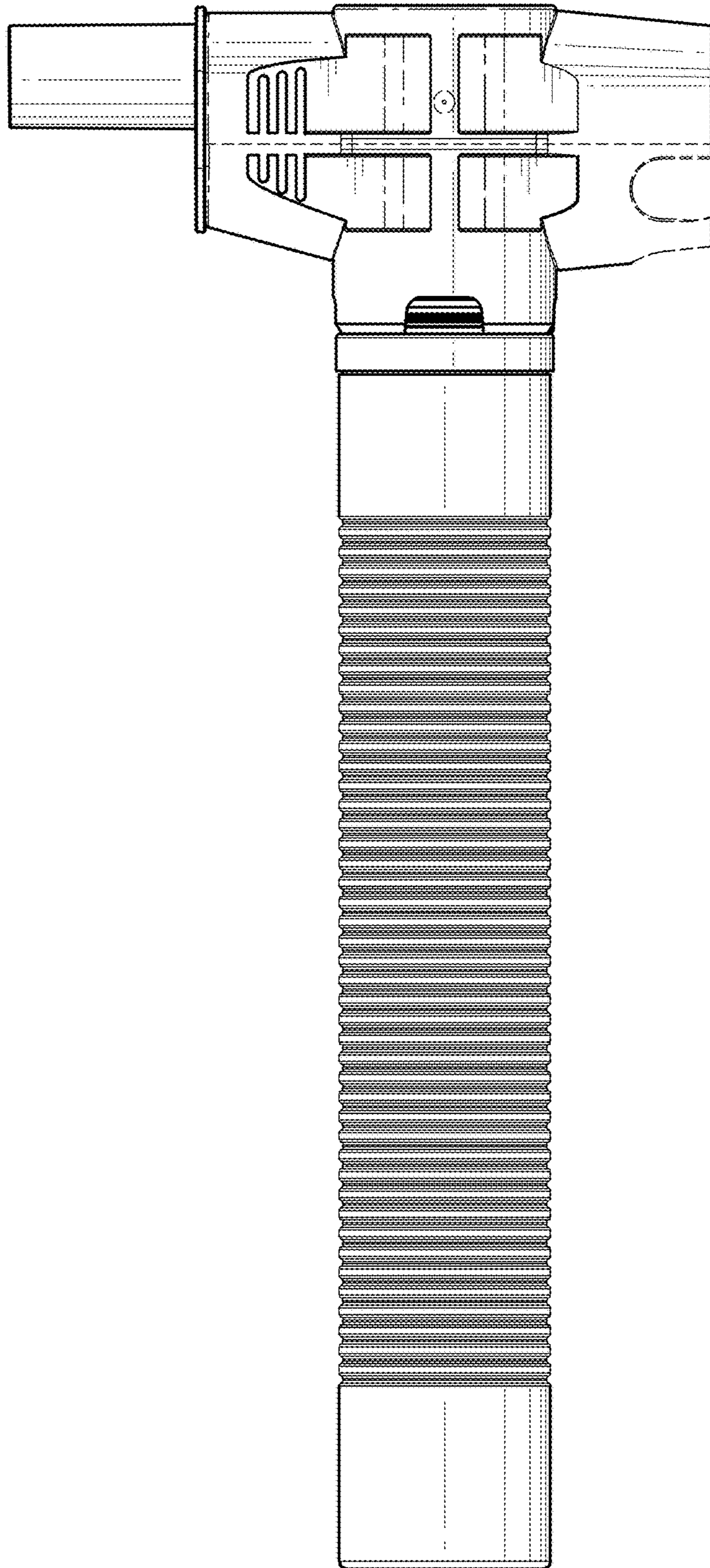


FIG. 10

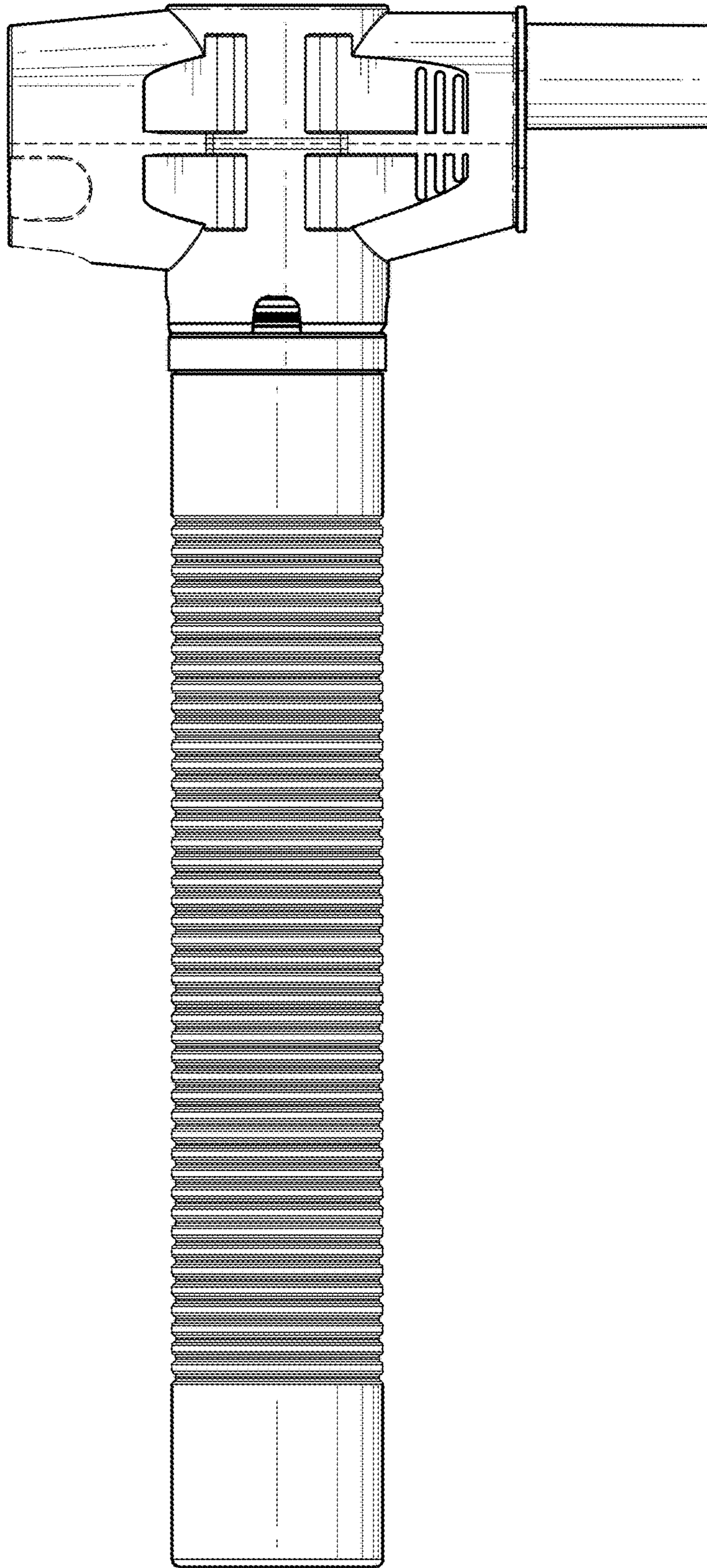


FIG. 11

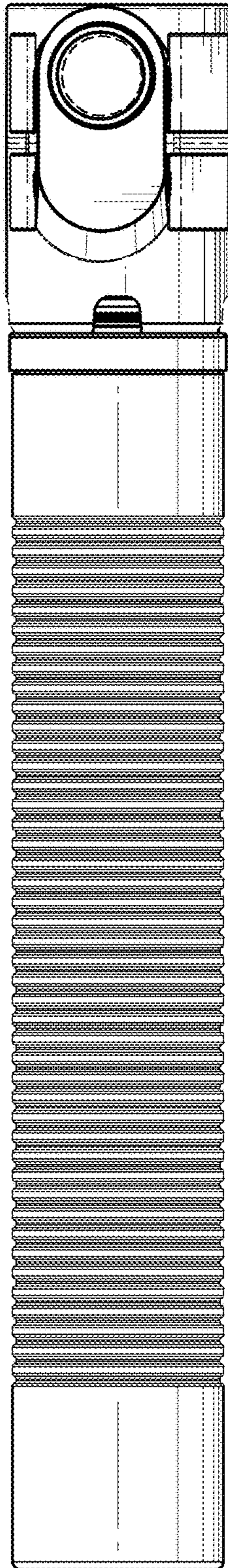


FIG. 12

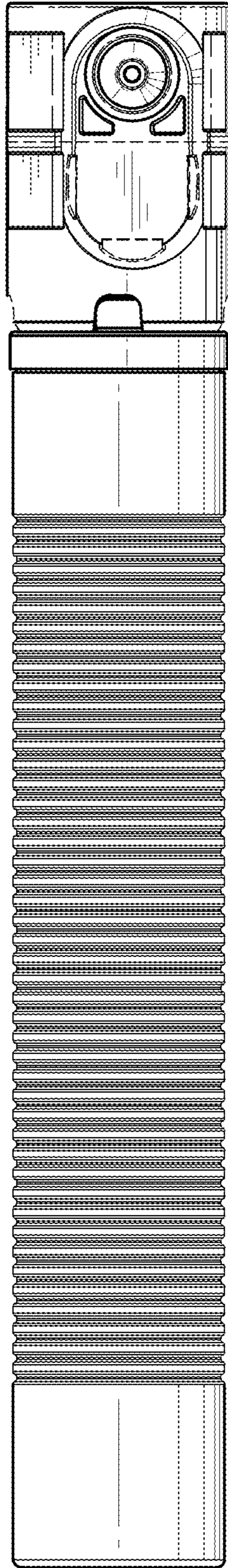


FIG. 13

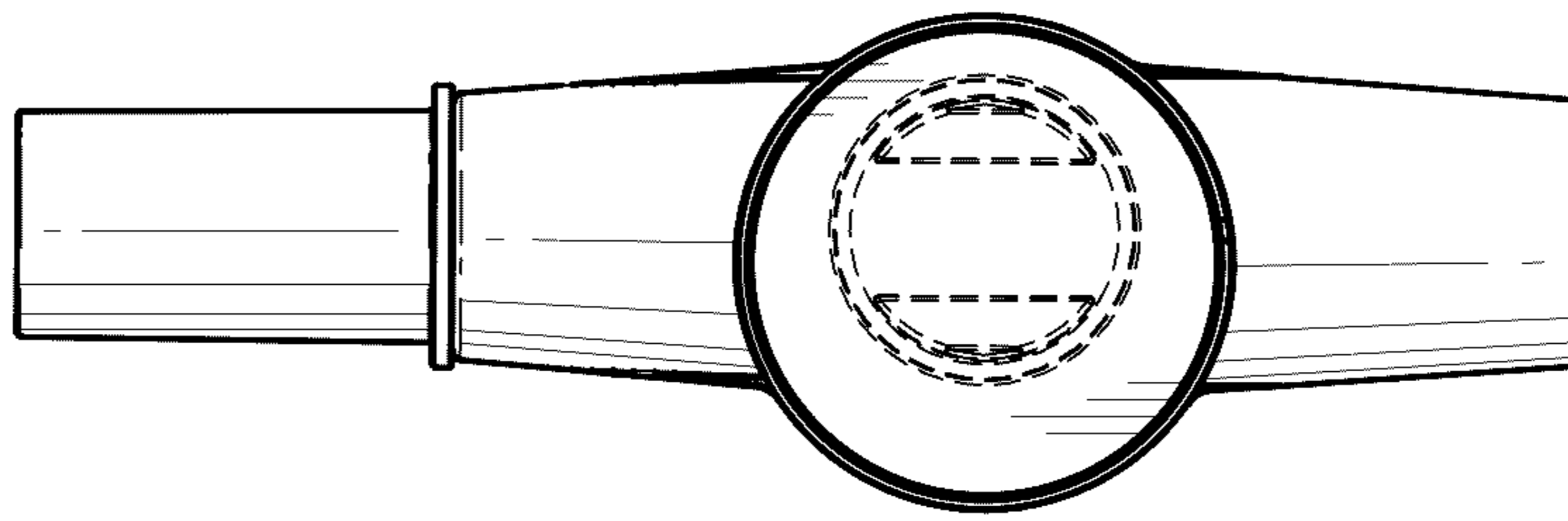


FIG. 14

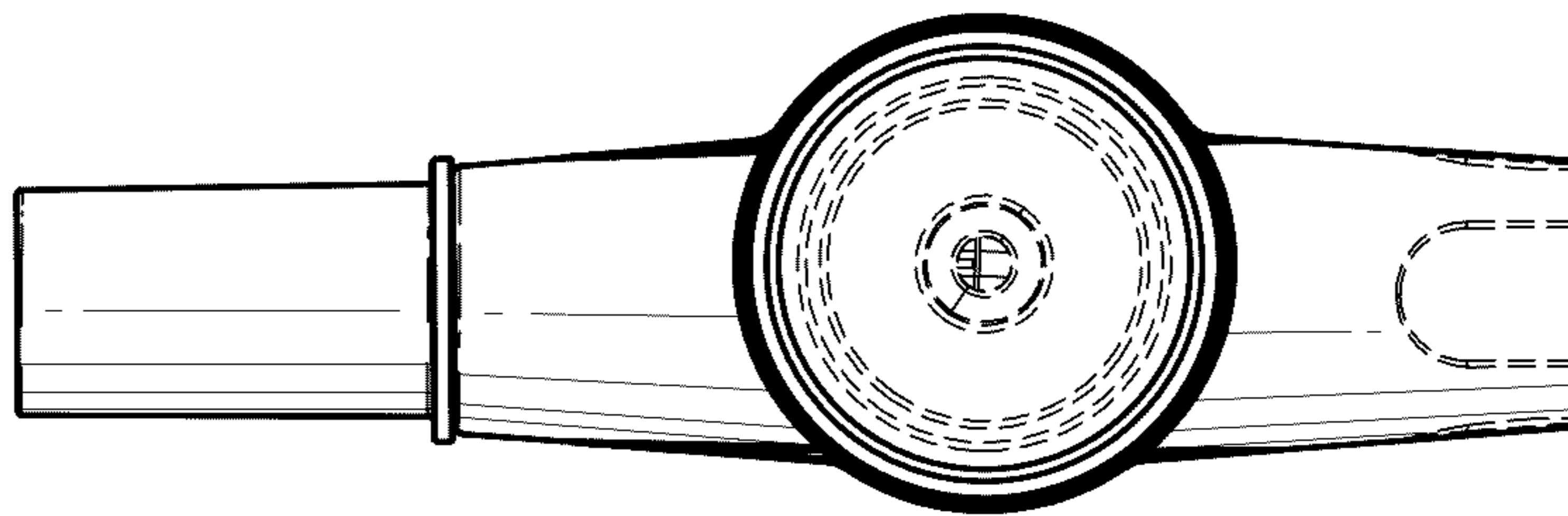


FIG. 15

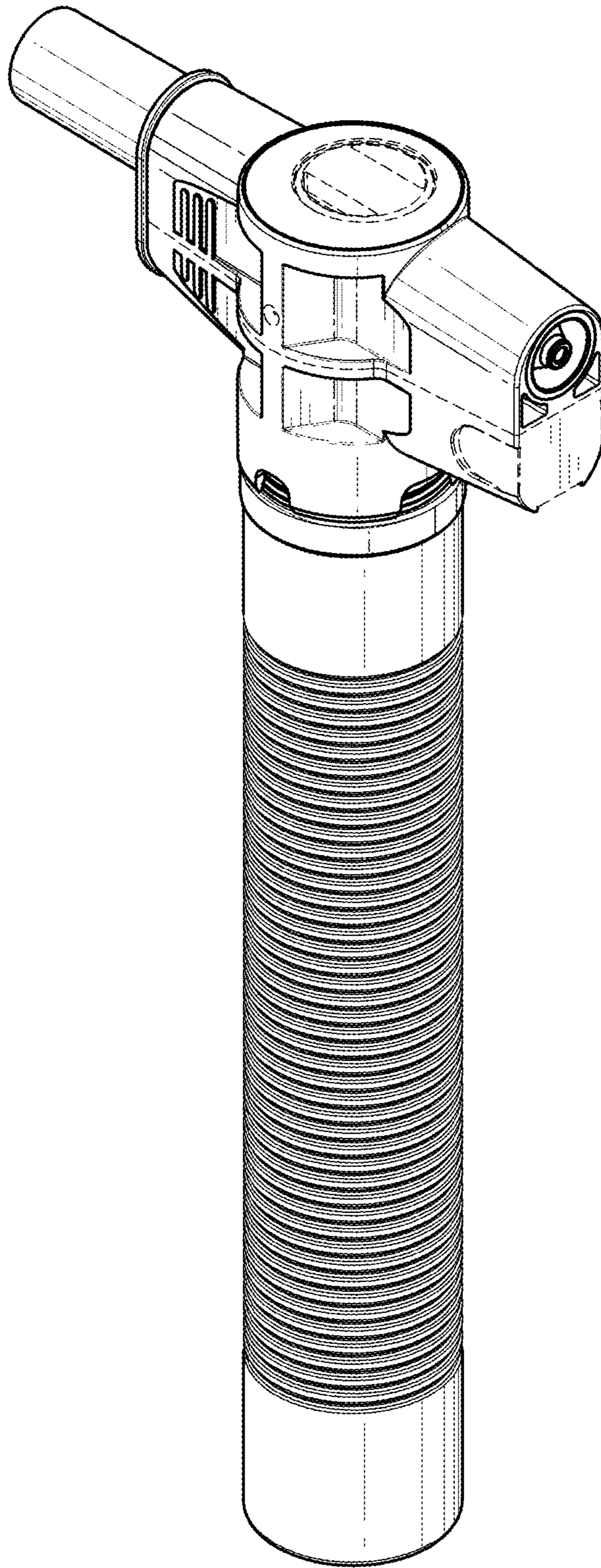


FIG. 16