



US00D773053S

(12) **United States Design Patent**
Garrison et al.

(10) **Patent No.:** **US D773,053 S**

(45) **Date of Patent:** **** Nov. 29, 2016**

- (54) **DENTAL RING**
- (71) Applicant: **Garrison Dental Solutions, LLC**,
Spring Lake, MI (US)
- (72) Inventors: **Thomas D. Garrison**, Spring Lake, MI
(US); **Nathan R. Garrett**, Grand
Rapids, MI (US); **Bruce A. Youngman**,
Grand Rapids, MI (US)
- (73) Assignee: **Garrison Dental Solutions, LLC**,
Spring Lake, MI (US)
- (**) Term: **15 Years**

8,529,258 B2 *	9/2013	Doenges	A61C 5/127 433/148
8,899,979 B2 *	12/2014	Anderson	A61C 5/125 433/148
D747,809 S *	1/2016	Anderson	D24/181
2005/0118554 A1 *	6/2005	Kilcher	A61C 5/125 433/141
2013/0252198 A1 *	9/2013	Boos	A61C 5/125 433/39
2013/0252199 A1 *	9/2013	Clark	A61C 5/125 433/39
2013/0344455 A1 *	12/2013	Hull	A61C 5/125 433/29
2014/0242544 A1	8/2014	Anderson et al.		
2015/0216625 A1 *	8/2015	McDonald	A61C 5/125 433/155

- (21) Appl. No.: **29/534,672**
- (22) Filed: **Jul. 30, 2015**
- (51) **LOC (10) Cl.** **24-04**
- (52) **U.S. Cl.**
USPC **D24/181**
- (58) **Field of Classification Search**
USPC D24/155-156, 176-182, 107
CPC A61C 5/125; A61C 5/127; A61C 5/12;
A61C 5/122; A61C 7/00; A61C 7/18; A61C
15/00
See application file for complete search history.

* cited by examiner

Primary Examiner — Wan Laymon

(74) *Attorney, Agent, or Firm* — Warner Norcross & Judd
LLP

(57) **CLAIM**

The ornamental design for a dental ring, as shown and
described.

DESCRIPTION

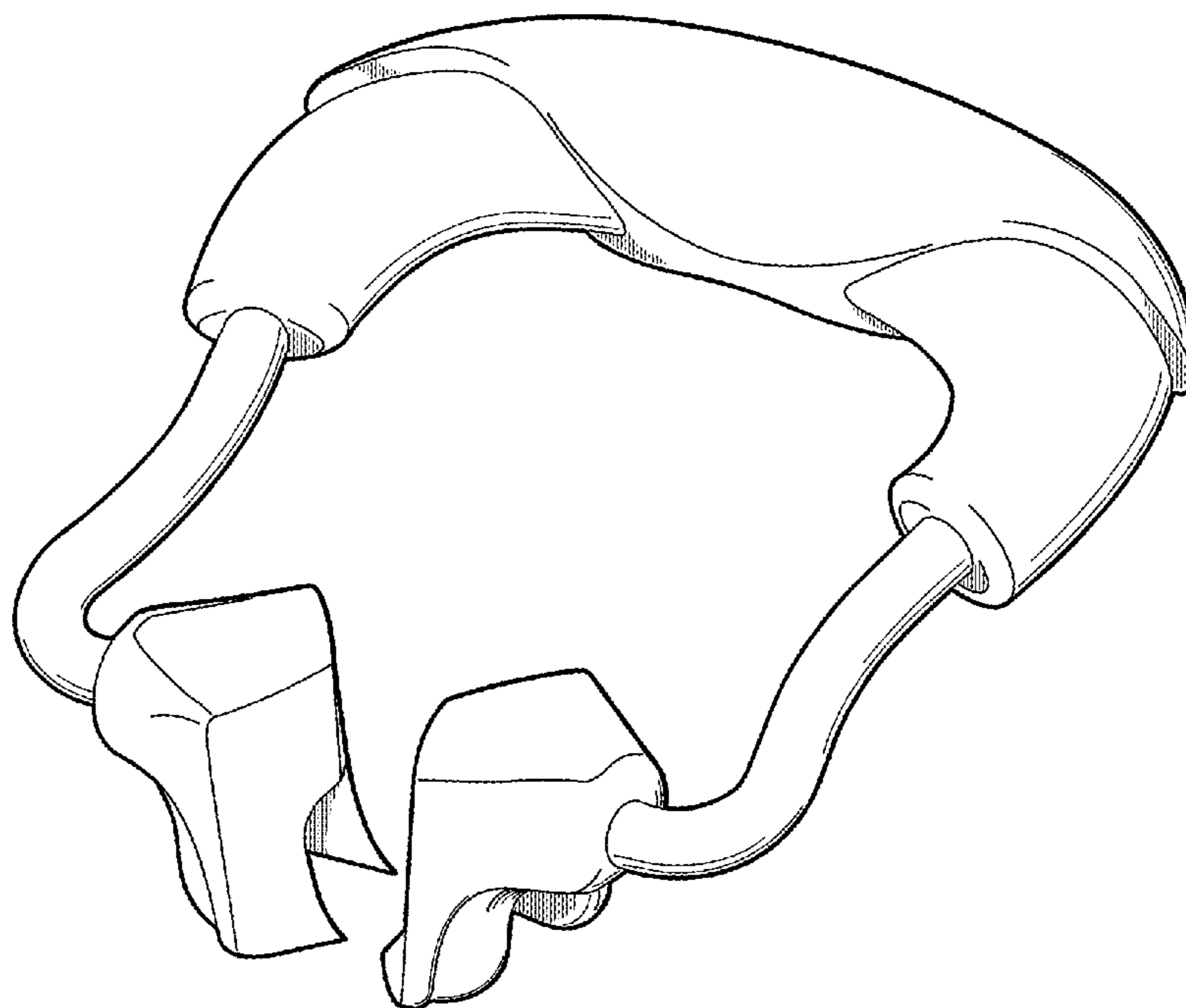
FIG. 1 is a perspective view of a dental ring;
FIG. 2 is a front elevation view thereof;
FIG. 3 is a right side elevation view thereof;
FIG. 4 is a rear elevation view thereof;
FIG. 5 is a left side elevation view thereof;
FIG. 6 is a top plan view thereof; and,
FIG. 7 is a bottom plan view thereof.

(56) **References Cited**

U.S. PATENT DOCUMENTS

7,077,651 B2	7/2006	Anderson	
7,175,432 B2	2/2007	McDonald	
D604,854 S *	11/2009	McDonald D24/181

1 Claim, 5 Drawing Sheets



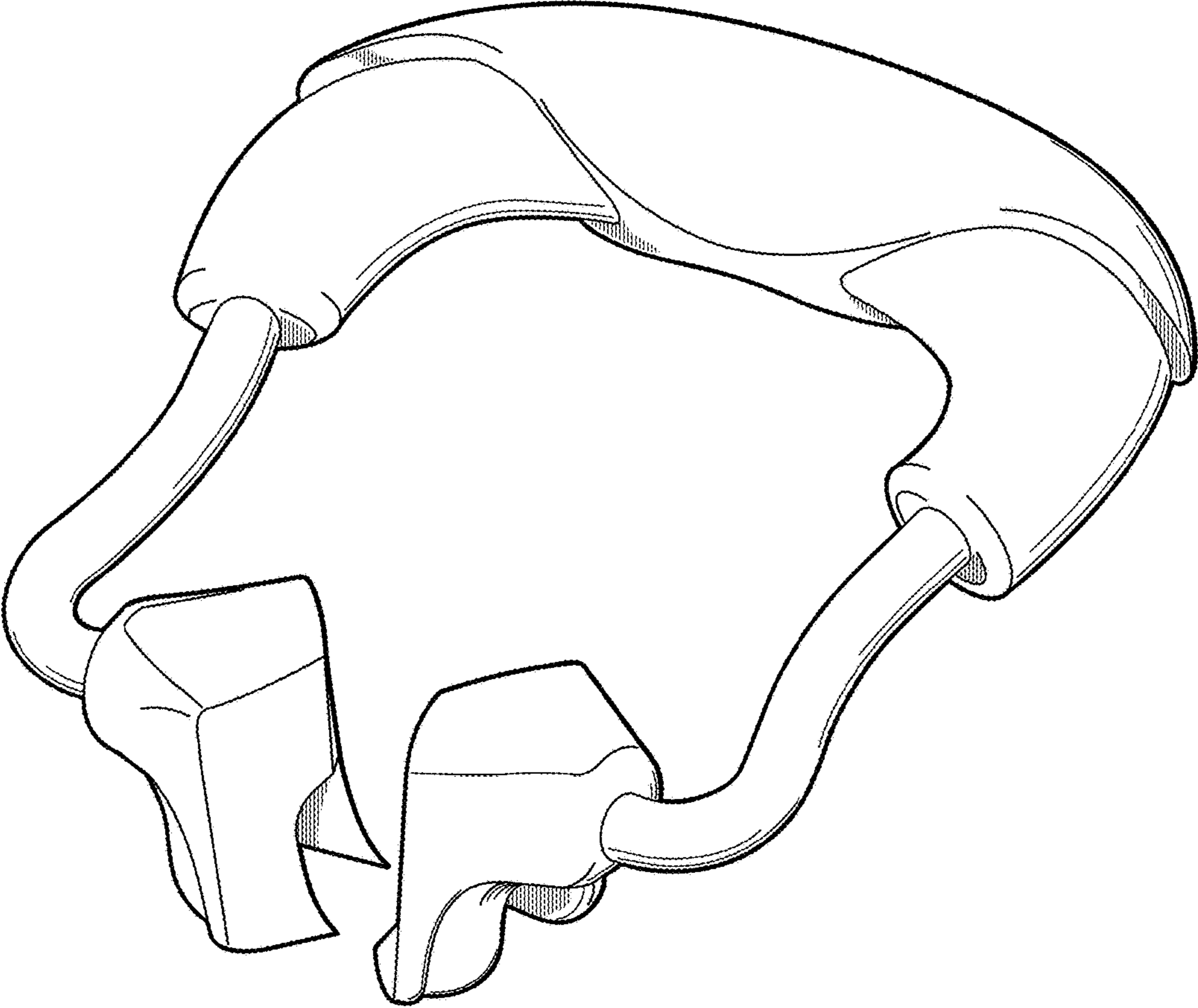


FIG. 1

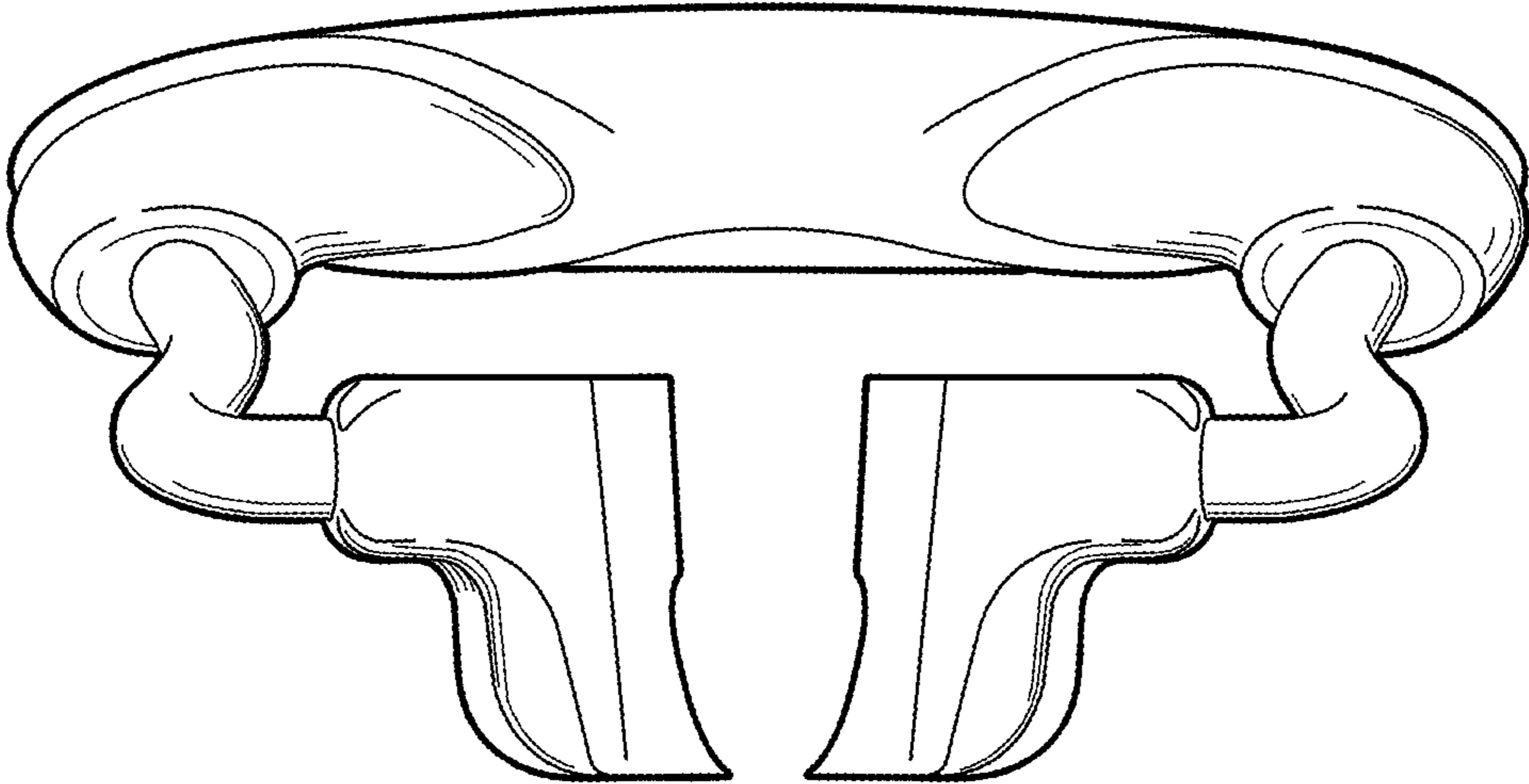


FIG. 2

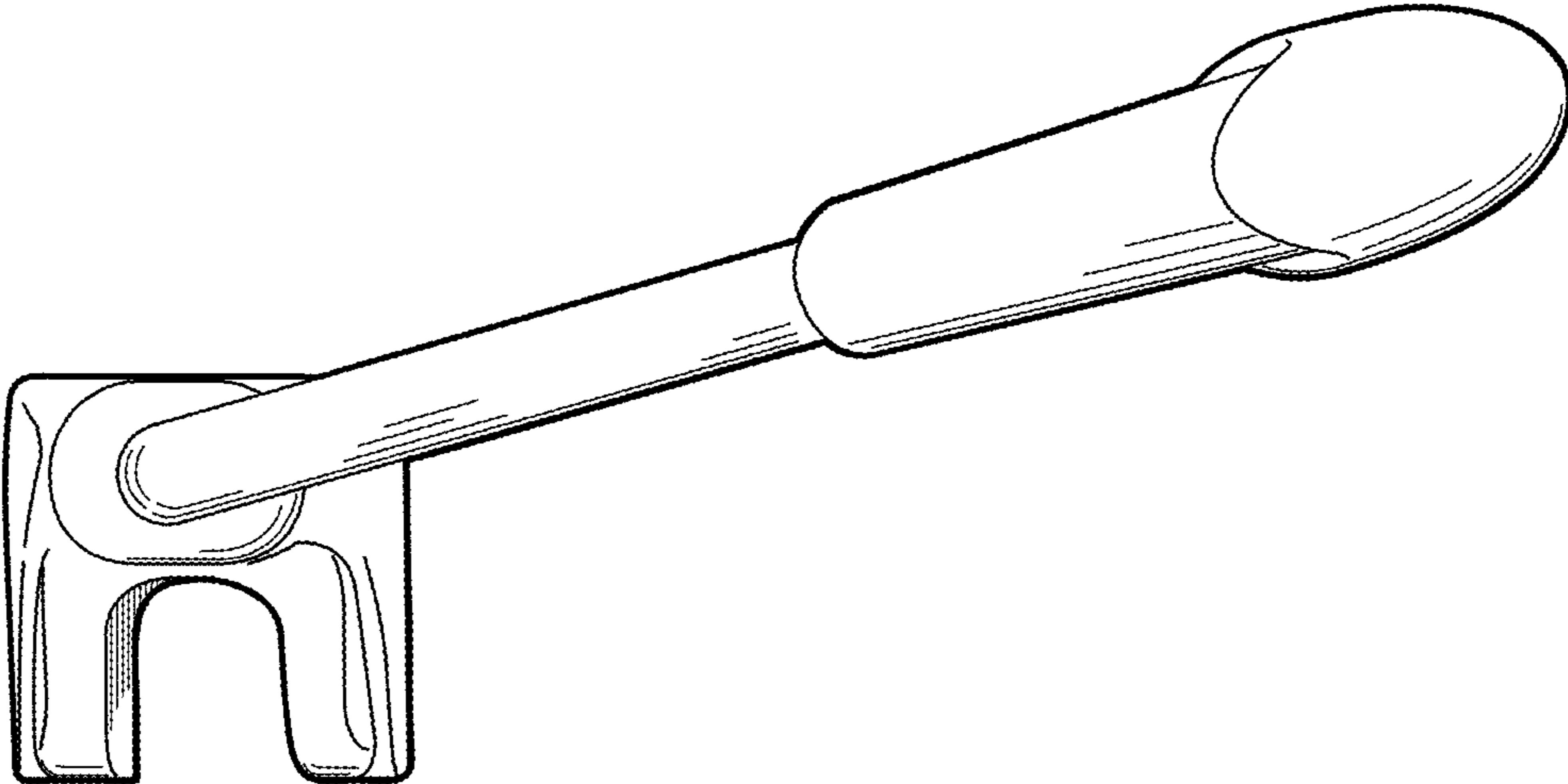


FIG. 3

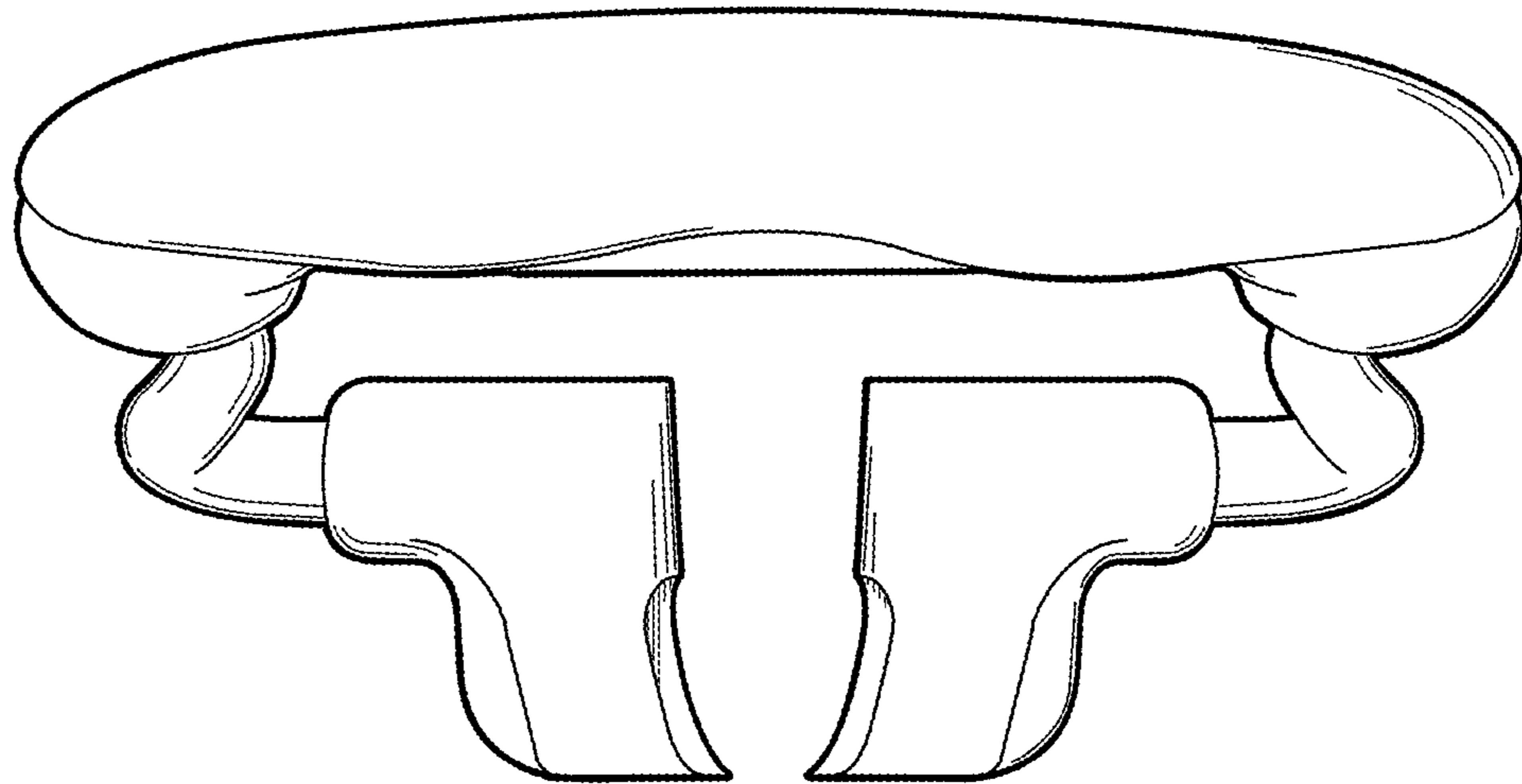


FIG. 4

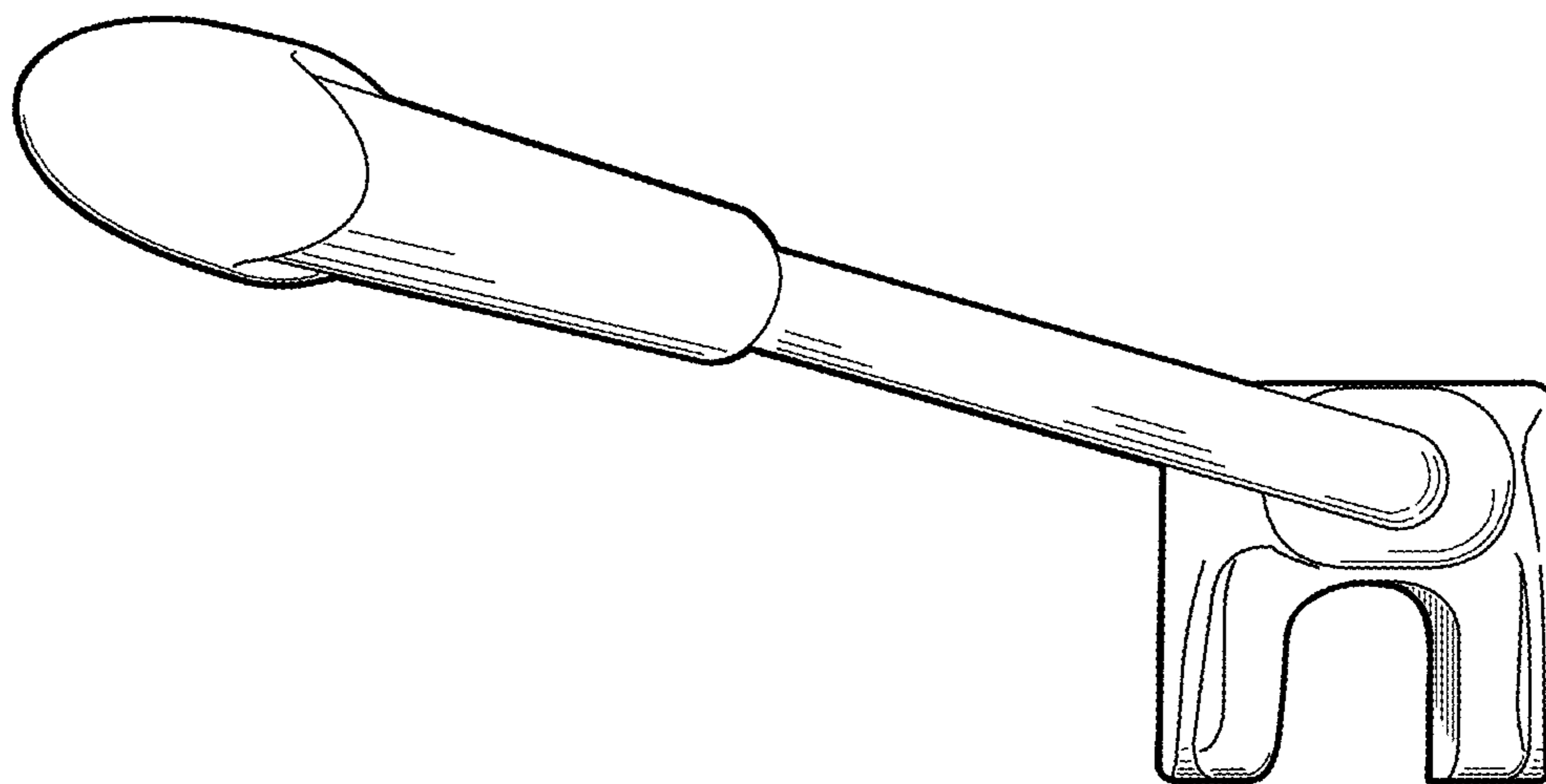


FIG. 5

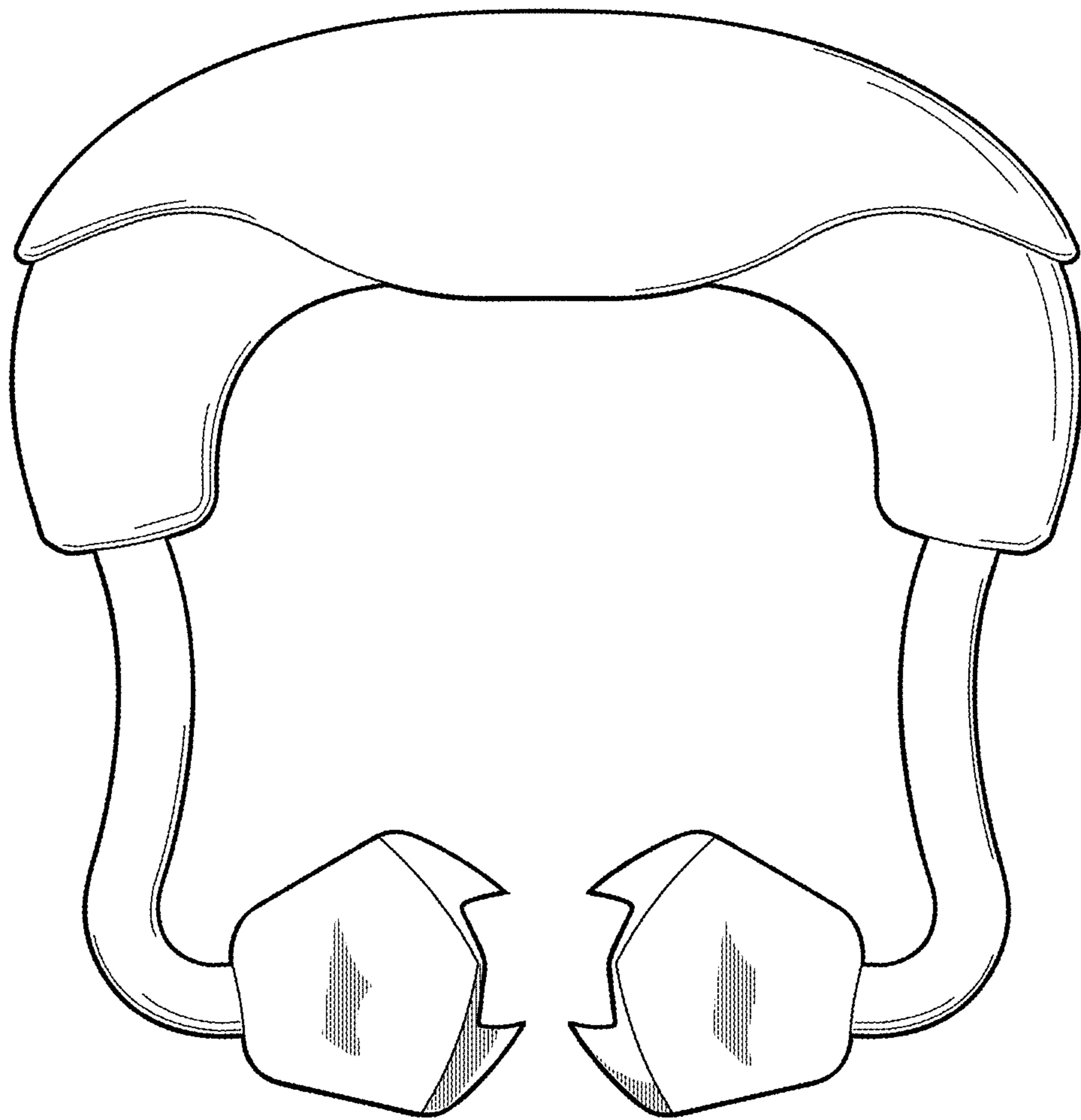


FIG. 6

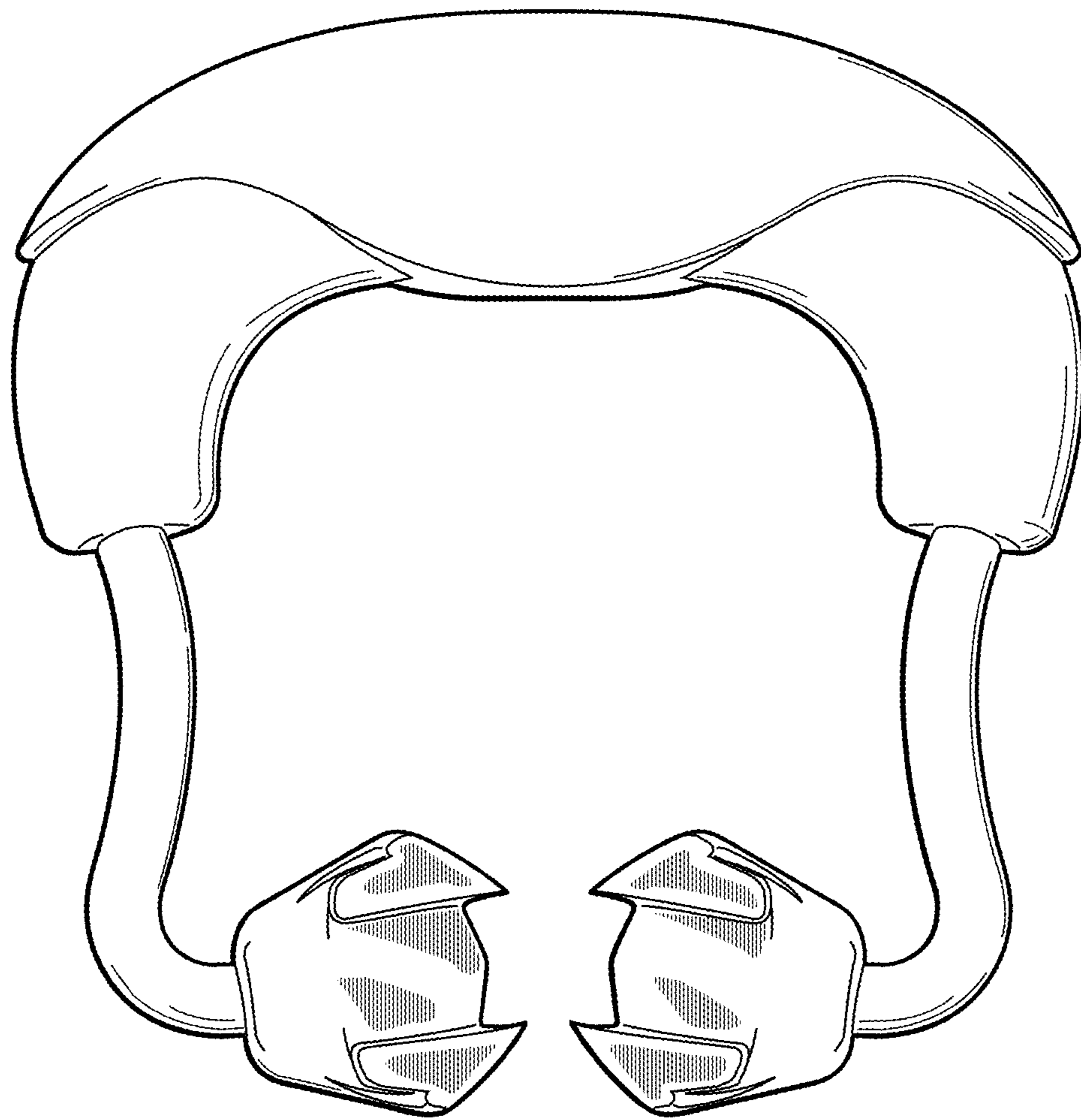


FIG. 7