



US00D773052S

(12) **United States Design Patent**
Wimmer, IV

(10) **Patent No.:** **US D773,052 S**

(45) **Date of Patent:** **** Nov. 29, 2016**

(54) **IDENTIFICATION TAG FOR FITNESS DEVICE**

(71) Applicant: **Road ID, Inc.**, Erlanger, KY (US)

(72) Inventor: **Edward M. Wimmer, IV**, Lakeside Park, KY (US)

(73) Assignee: **Road ID, Inc.**, Erlanger, KY (US)

(**) Term: **15 Years**

(21) Appl. No.: **29/532,472**

(22) Filed: **Jul. 7, 2015**

(51) **LOC (10) Cl.** **24-01**

(52) **U.S. Cl.**
USPC **D24/167**; D10/70; D10/98; D10/103;
D10/128; D14/344

(58) **Field of Classification Search**
USPC D10/30-39, 65, 70, 78, 97, 98, 103,
D10/128, 132; D11/3; D14/138 R, 203.5,
D14/203.6, 341, 344, 347; D24/167, 168,
D24/186
CPC A44C 5/00-5/16; G04B 37/00-37/228;
G04B 45/0069; G04B 47/04; G04B
19/00-19/34; G04B 21/12; G04B 23/12;
G04B 47/00-47/068; G01C 17/00; G01C
21/00-21/3697

See application file for complete search history.

(56) **References Cited**

U.S. PATENT DOCUMENTS

D715,665 S 10/2014 Park et al.
D726,052 S * 4/2015 Henning D10/70

D727,195 S * 4/2015 Wanliss-Orlebar D11/3
D729,078 S * 5/2015 Phillips D10/103
D729,079 S * 5/2015 Phillips D10/103
D729,087 S * 5/2015 Phillips D10/103
D729,088 S * 5/2015 Phillips D10/103
D729,092 S * 5/2015 Phillips D10/103
D729,646 S * 5/2015 Phillips D10/103
D729,648 S * 5/2015 Phillips D10/103
D729,649 S * 5/2015 Phillips D10/103
D731,898 S * 6/2015 Squires D10/30
D734,192 S * 7/2015 Phillips D10/103
D745,514 S * 12/2015 Jung D14/344
D749,002 S 2/2016 Park et al.
D751,549 S * 3/2016 Park D10/38
D752,581 S * 3/2016 Jung D14/344

* cited by examiner

Primary Examiner — Antoine D Davis

(74) *Attorney, Agent, or Firm* — Sand & Sebolt

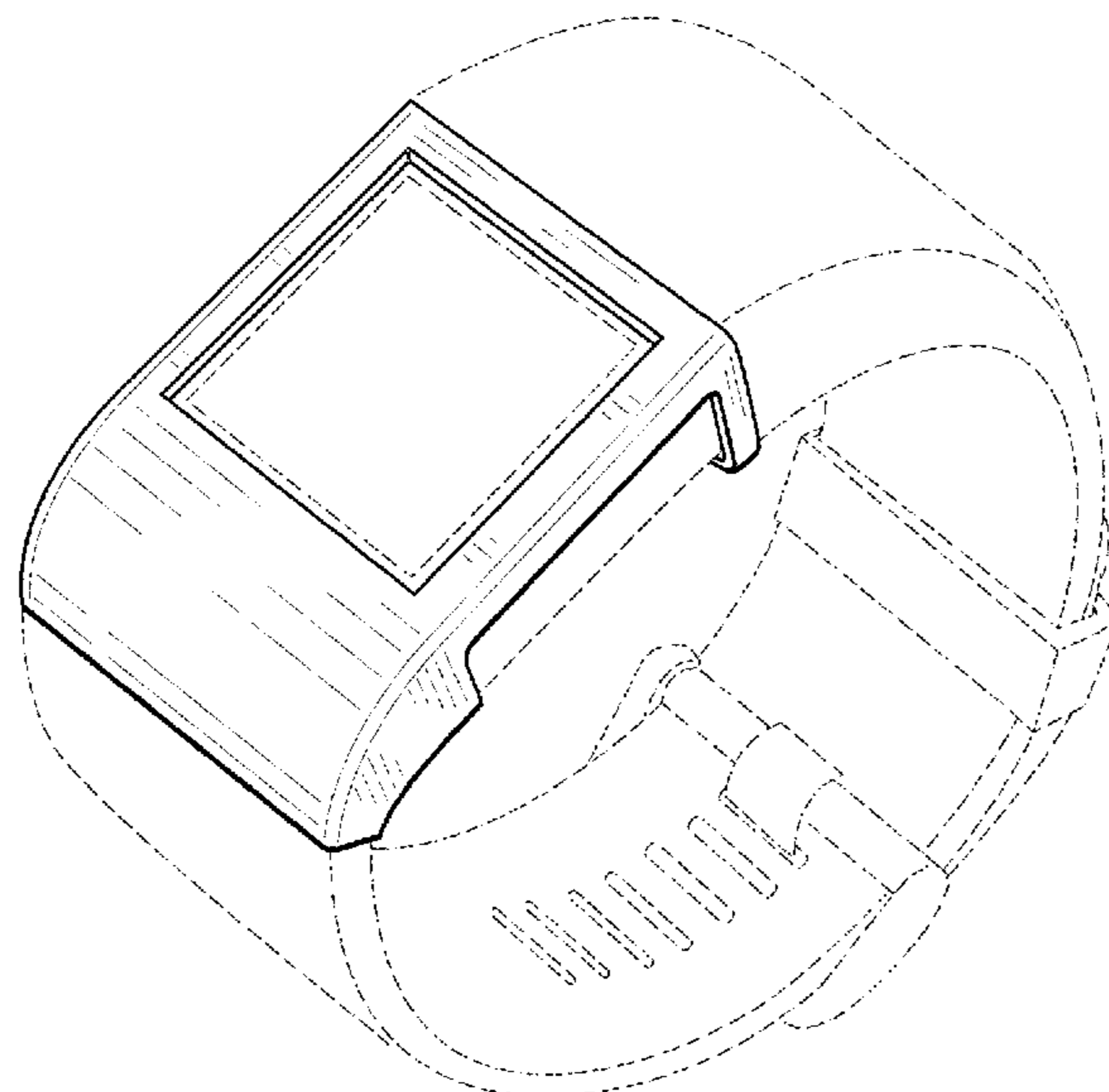
(57) **CLAIM**

The ornamental design for an identification tag for fitness device, as shown and described.

DESCRIPTION

FIG. 1 is a perspective view of the identification tag for a fitness device in accordance with my design;
FIG. 2 is a left side elevational view thereof;
FIG. 3 is a right side elevational view thereof;
FIG. 4 is a top plan view thereof;
FIG. 5 is a bottom plan view thereof;
FIG. 6 is a rotated bottom plan view thereof; and,
FIG. 7 is a rotated top plan view thereof.
The broken lines illustrate portions of the environment in which the identification tag is used, but which form no part of the claimed design.

1 Claim, 3 Drawing Sheets



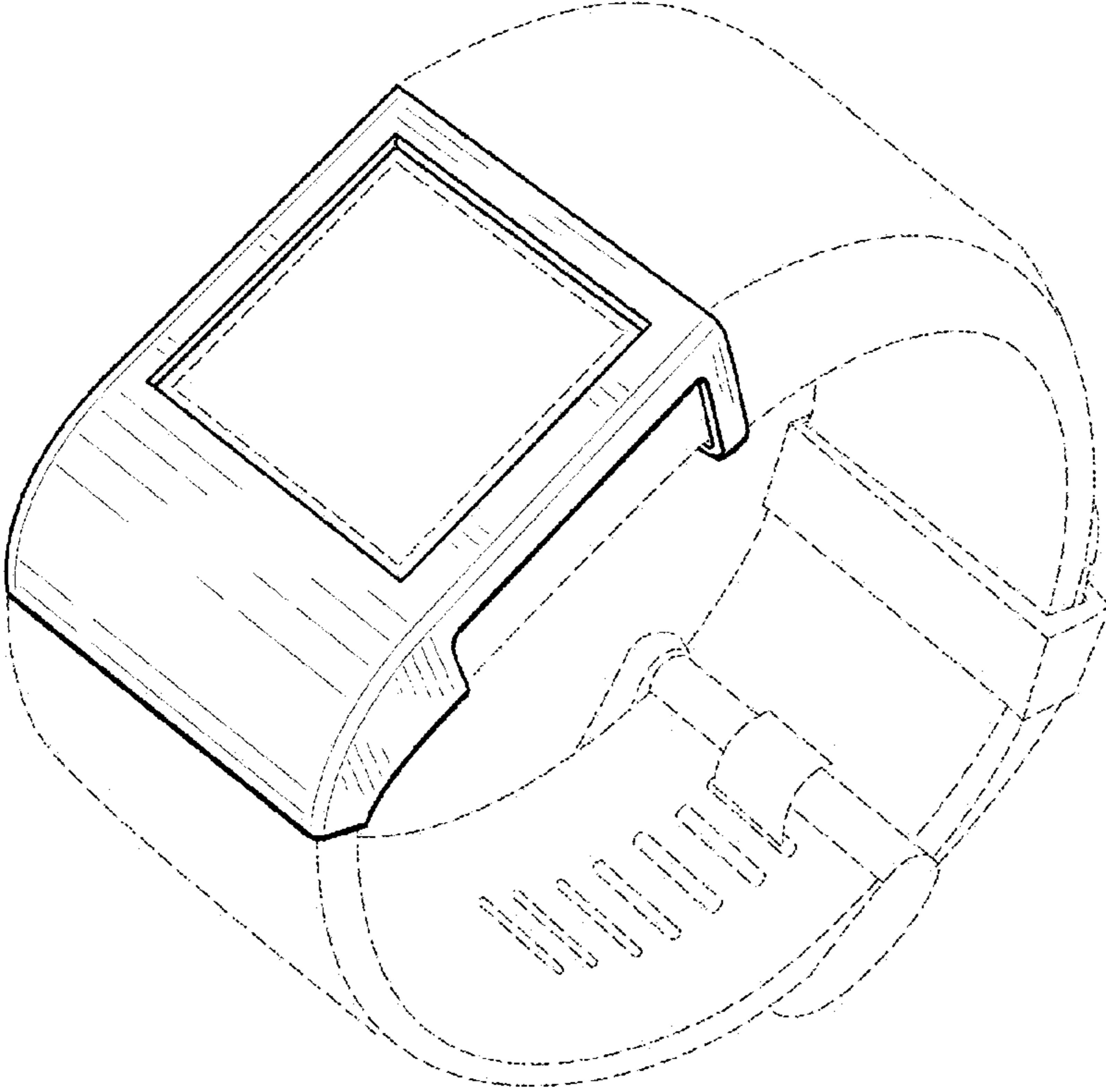


FIG-1

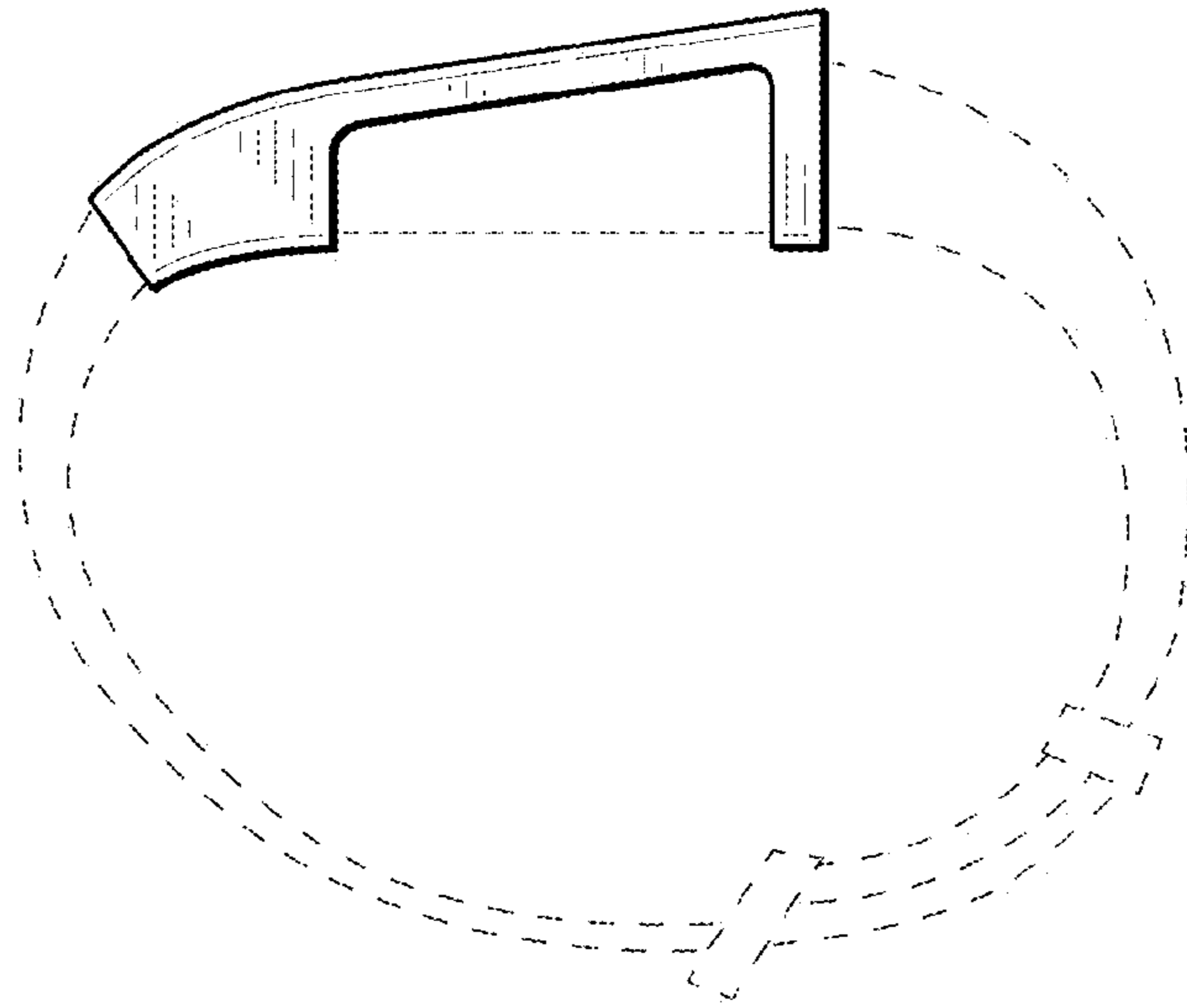


FIG-2

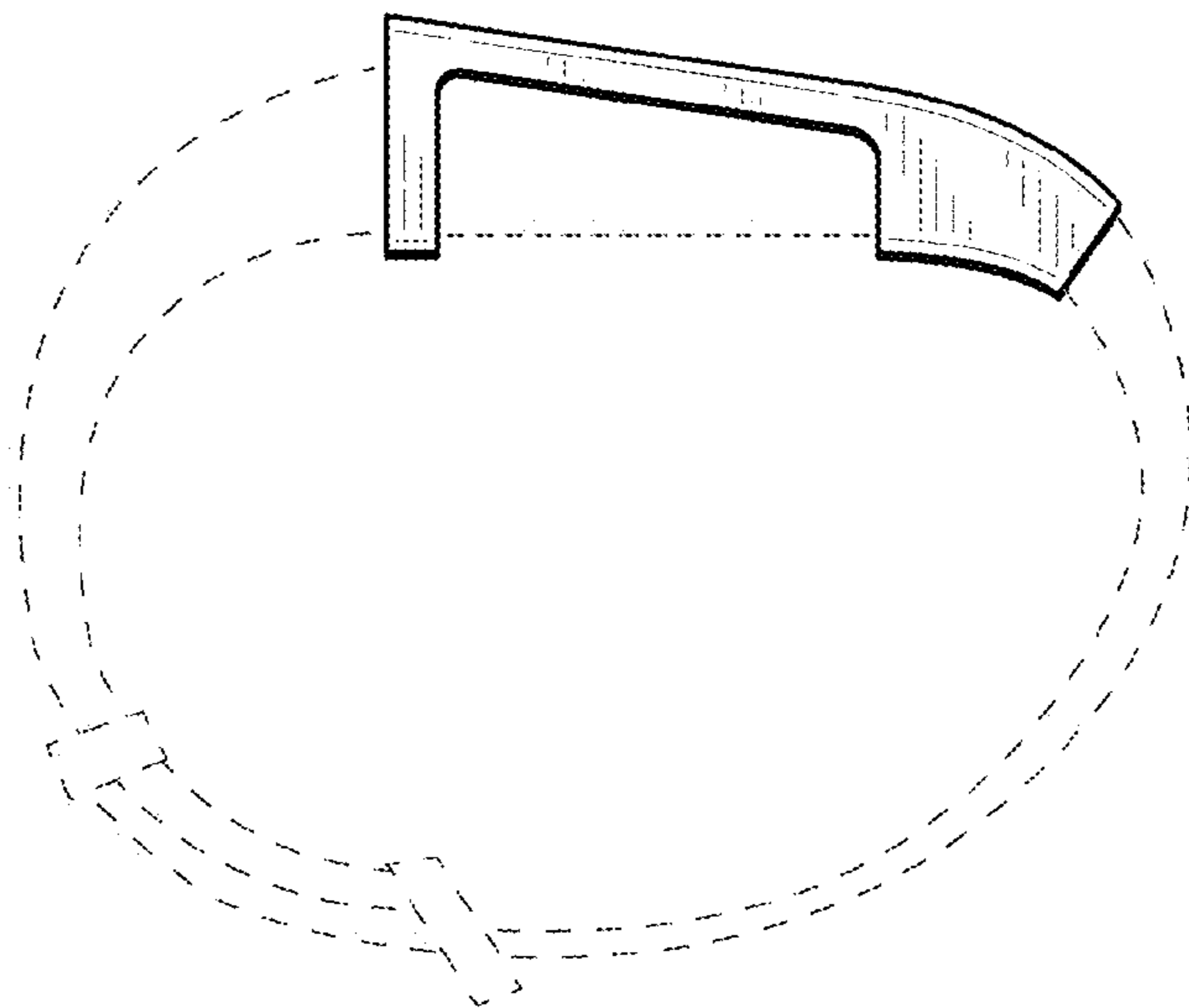


FIG-3

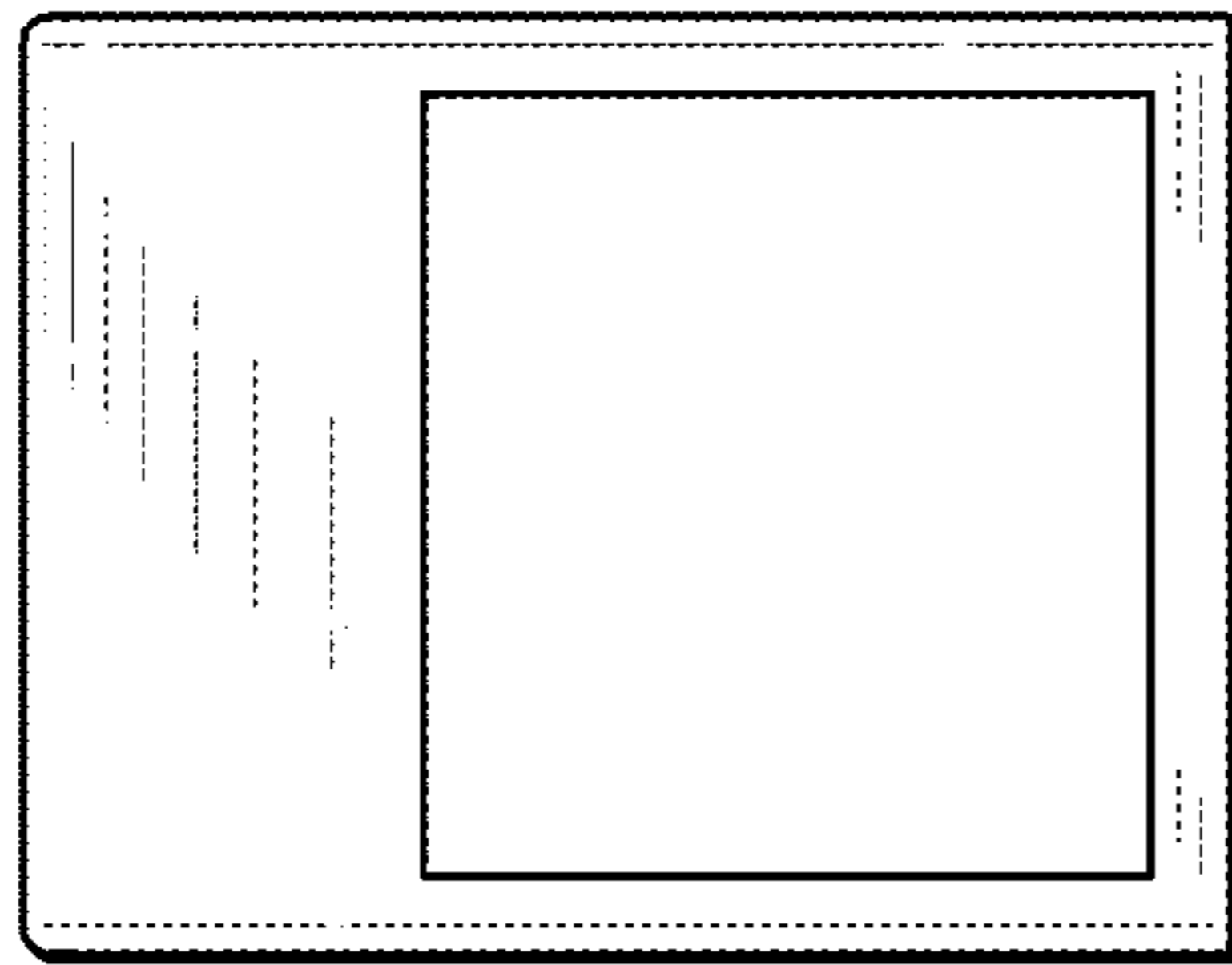


FIG-4

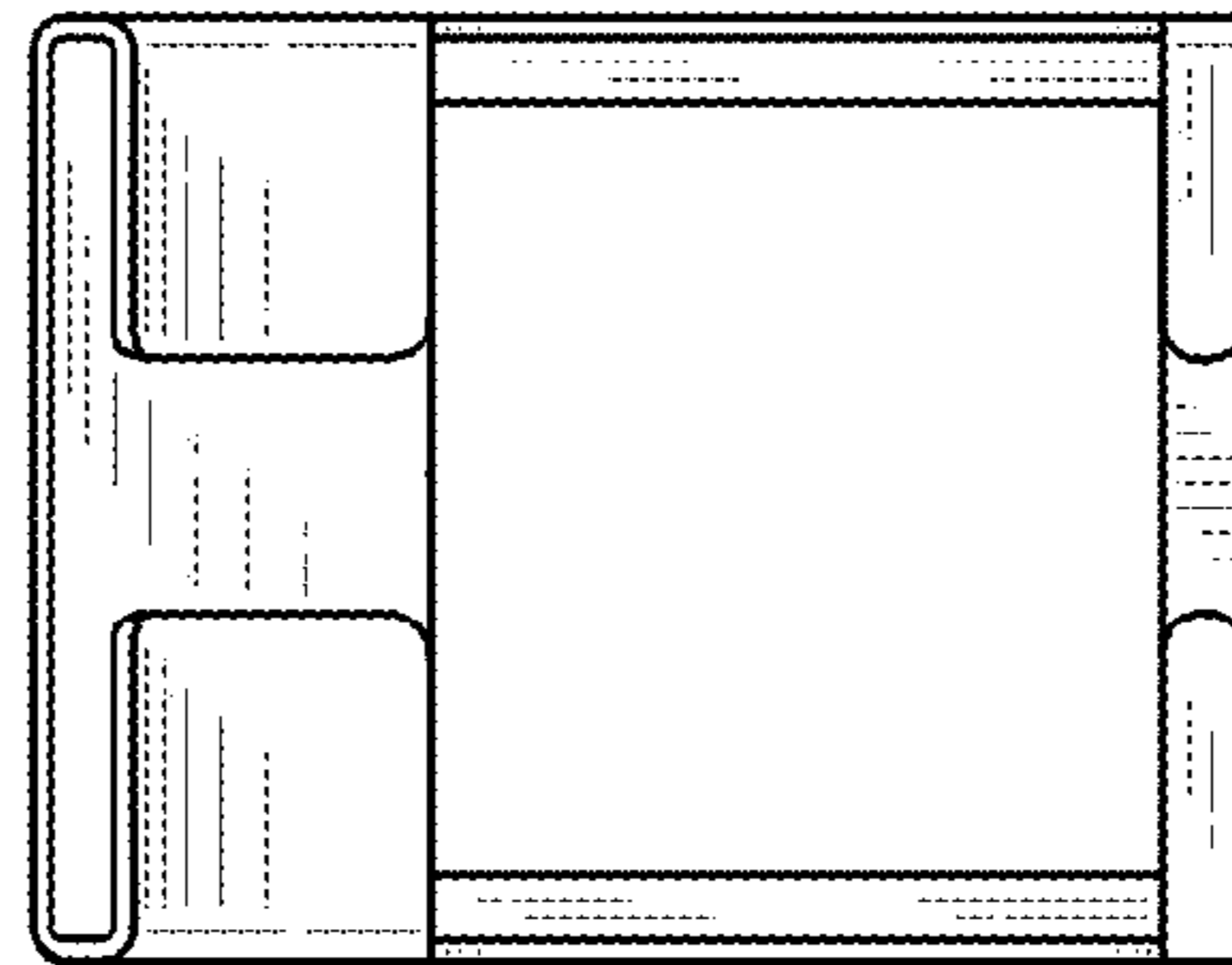


FIG-5

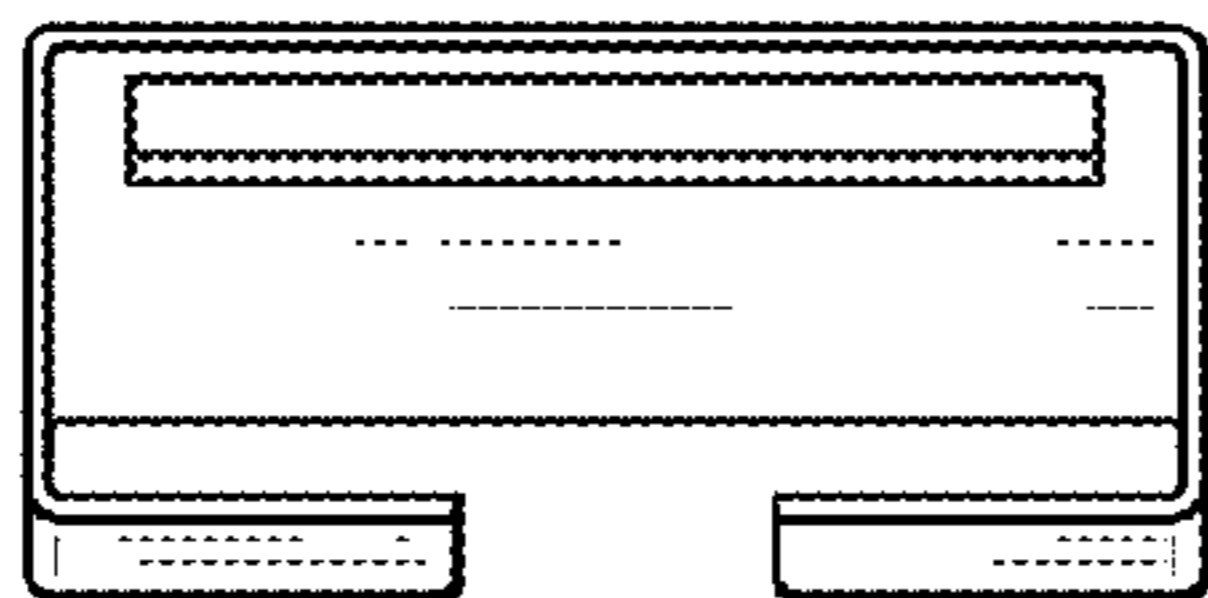


FIG-6

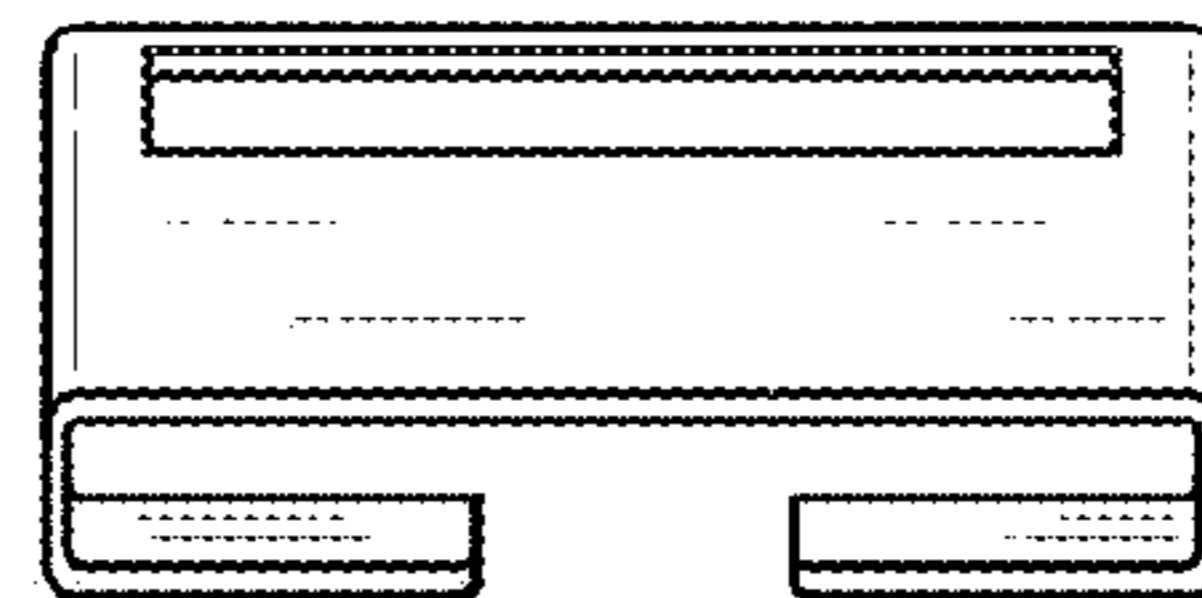


FIG-7