



US00D773045S

(12) **United States Design Patent**  
**Wittke et al.**

(10) **Patent No.:** **US D773,045 S**

(45) **Date of Patent:** **\*\* Nov. 29, 2016**

(54) **CUTTING ELECTRODE**

(71) Applicant: **KARL STORZ GmbH & Co. KG**,  
Tuttlingen (DE)

(72) Inventors: **Uwe Wittke**, Tuttlingen-Moehringen  
(DE); **Frank Doll**, Talheim (DE);  
**Martin Hahn**, Leibertingen-Altheim  
(DE)

(73) Assignee: **KARL STORZ GmbH & Co. KG**,  
Tuttlingen (DE)

(\*\*) Term: **15 Years**

(21) Appl. No.: **29/535,710**

(22) Filed: **Aug. 10, 2015**

(30) **Foreign Application Priority Data**

Feb. 9, 2015 (EM) ..... 002629329-0001

(51) **LOC (10) Cl.** ..... **24-02**

(52) **U.S. Cl.**  
USPC ..... **D24/144**

(58) **Field of Classification Search**  
USPC ..... D24/133, 146-144, 147  
CPC ..... A61B 18/14; A61B 18/1402; A61B  
18/1492; A61B 18/1482; A61B 18/149;  
A61B 2018/00601

See application file for complete search history.

(56) **References Cited**

**U.S. PATENT DOCUMENTS**

4,134,406 A \* 1/1979 Iglesias ..... A61B 17/32  
606/46

4,149,538 A \* 4/1979 Mrava ..... A61B 18/149  
606/46

D320,446 S \* 10/1991 Grossi ..... D24/144  
5,196,011 A \* 3/1993 Korth ..... A61B 18/14  
606/46  
5,582,610 A \* 12/1996 Grossi ..... A61B 18/14  
600/210  
5,782,829 A \* 7/1998 Swiantek ..... A61B 18/149  
606/46  
D709,613 S \* 7/2014 Wittke ..... D24/144  
D724,210 S \* 3/2015 Wittke ..... D24/144  
2015/0066018 A1 \* 3/2015 Doll ..... A61B 18/1492  
606/39

\* cited by examiner

*Primary Examiner* — Wan Laymon

(74) *Attorney, Agent, or Firm* — Muncy, Geissler, Olds &  
Lowe, P.C.

(57) **CLAIM**

The ornamental design for a cutting electrode, as shown and  
described.

**DESCRIPTION**

FIG. 1 is a front perspective view of a cutting electrode  
according to the present invention.

FIG. 2 is an enlarged front view of the cutting electrode of  
FIG. 1.

FIG. 3 is an enlarged rear view of the cutting electrode of  
FIG. 1.

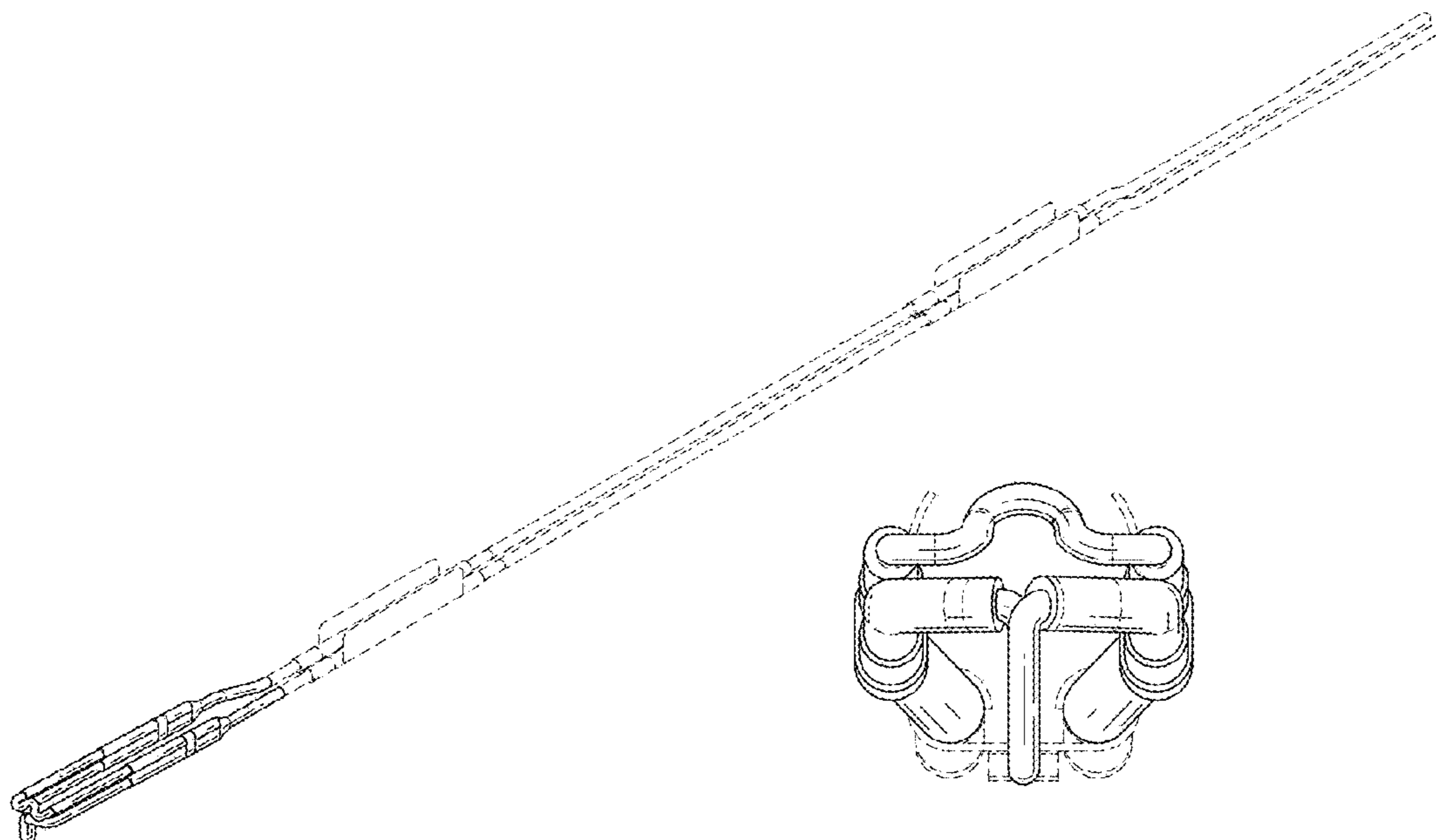
FIG. 4 is a left side view of the cutting electrode of FIG. 1.

FIG. 5 is a right side view of the cutting electrode of FIG.  
1.

FIG. 6 is a top view of the cutting electrode of FIG. 1; and,  
FIG. 7 is a bottom view of the cutting electrode of FIG. 1.

The dashed lines illustrate environment that does not form a  
part of the present invention, and no claim is made to the  
material illustrated with dashed lines.

**1 Claim, 6 Drawing Sheets**



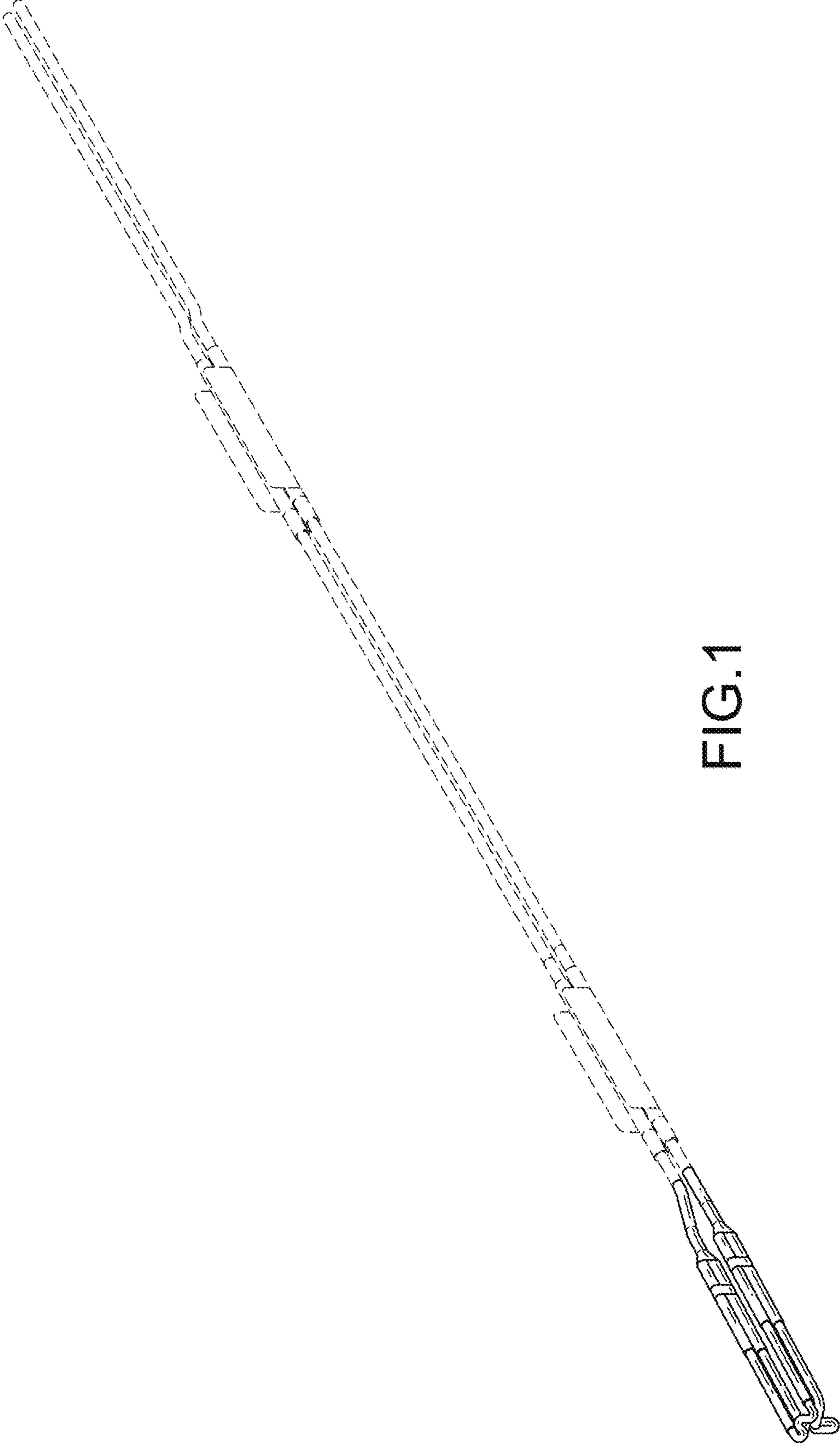


FIG.1

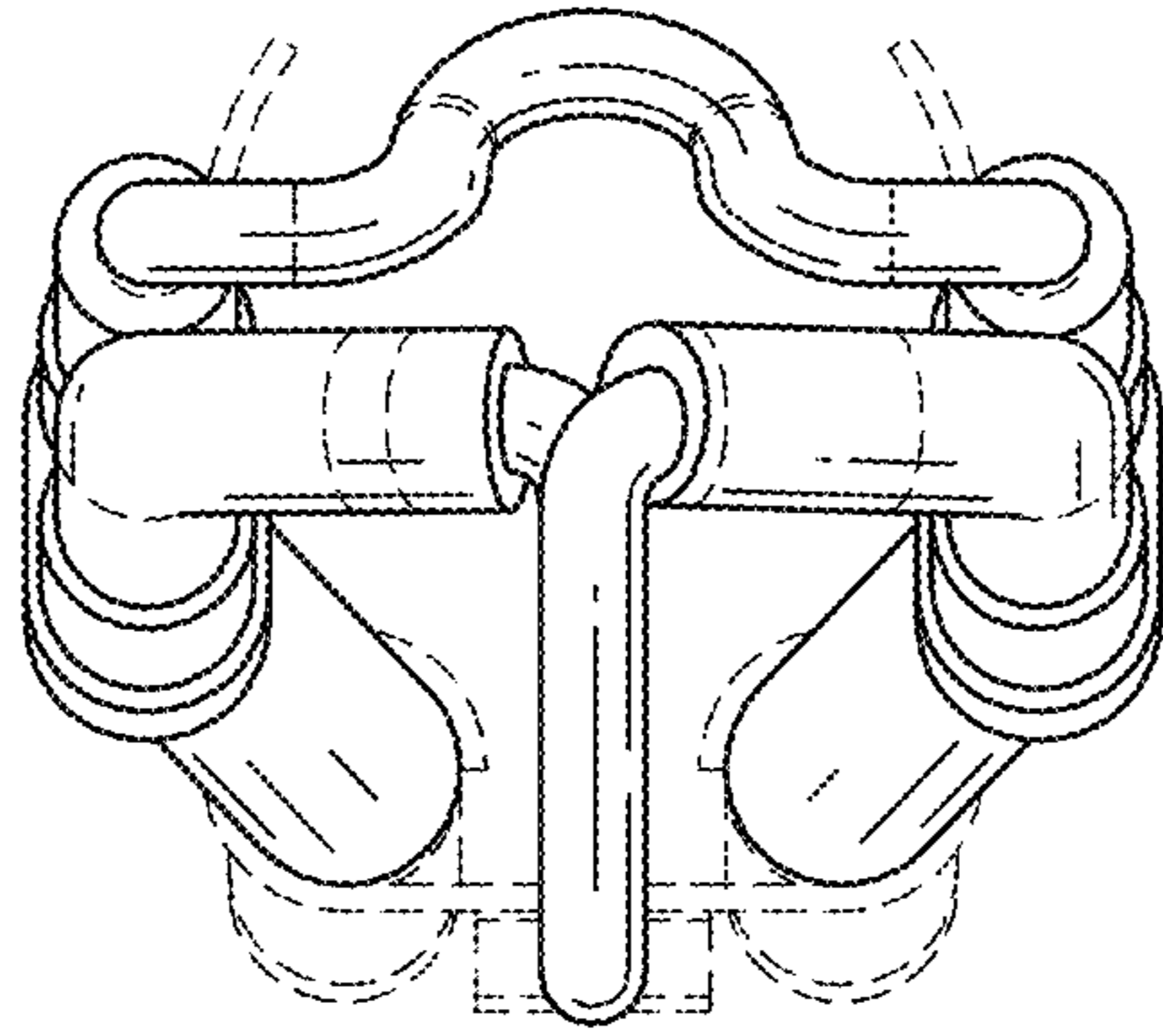


FIG. 2

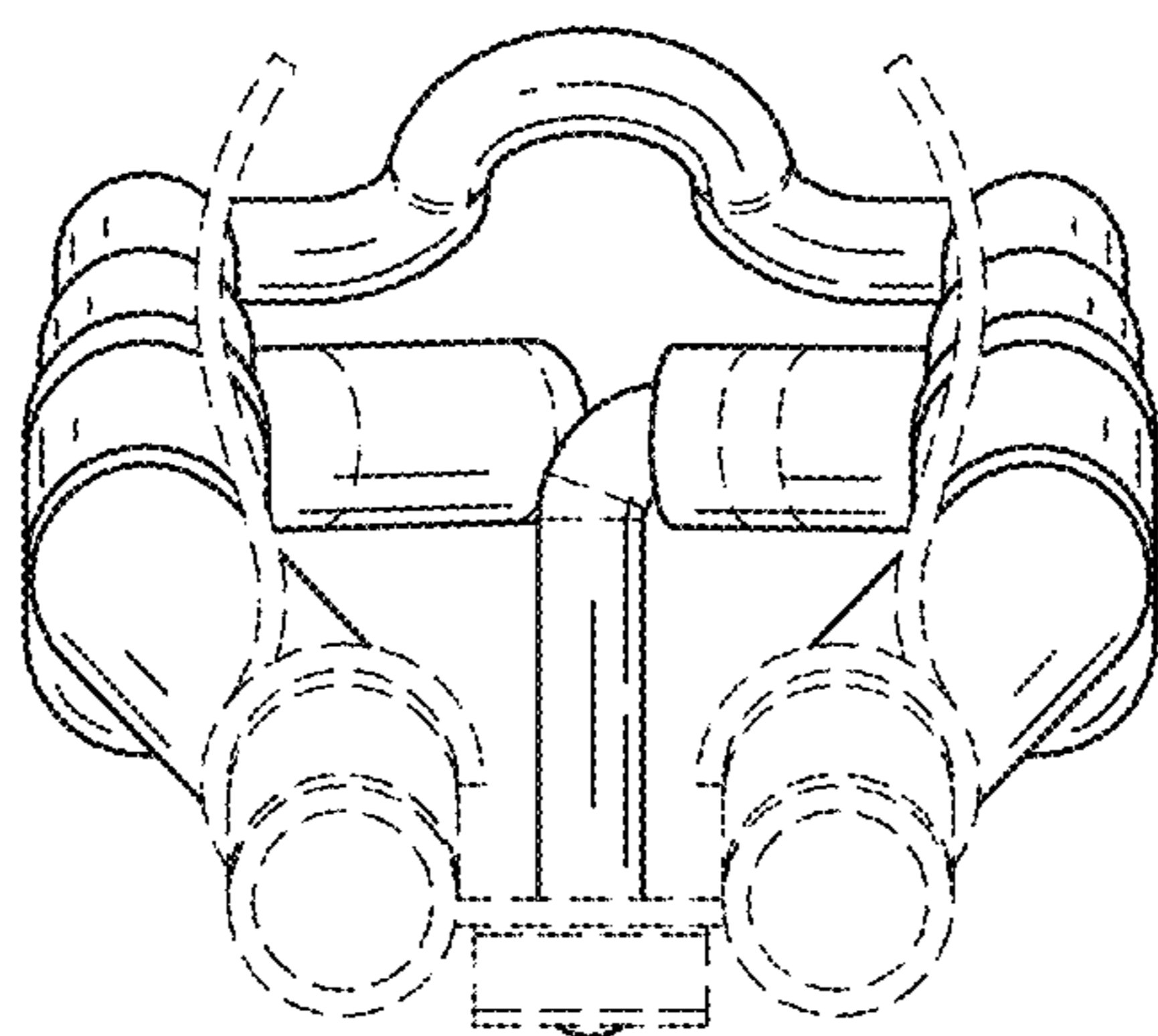


FIG. 3

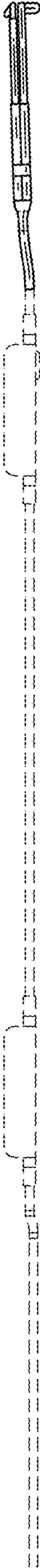


FIG.4

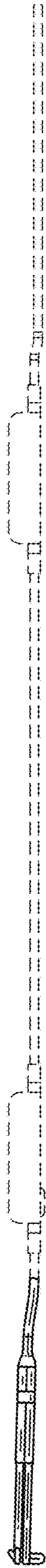


FIG.5

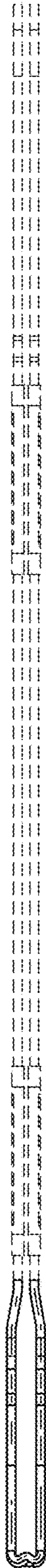


FIG.6

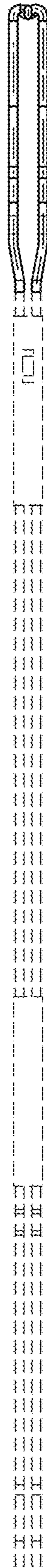


FIG.7