



US00D773044S

(12) **United States Design Patent**
Koh et al.

(10) **Patent No.:** **US D773,044 S**

(45) **Date of Patent:** **** Nov. 29, 2016**

(54) **NEEDLE HOLDER FOR SURGICAL APPLICATION**

(71) Applicant: **KARL STORZ Endovision, Inc.**,
Charlton, MA (US)

(72) Inventors: **Charles Koh**, Pl. Henderson, NV (US);
Tobias Unger, Geisingen (DE)

(73) Assignee: **Karl Storz Endovision, Inc.**, Charlton,
MA (US)

(**) Term: **15 Years**

(21) Appl. No.: **29/532,433**

(22) Filed: **Jul. 7, 2015**

(51) **LOC (10) Cl.** **24-02**

(52) **U.S. Cl.**
USPC **D24/143**

(58) **Field of Classification Search**

USPC D24/143-148, 153, 133; 606/205-206
CPC .. A61B 17/00; A61B 17/34; A61B 17/0467;
A61B 17/0469; A61B 17/062; A61B
17/1608; A61B 17/1606; A61B 17/282;
A61B 17/285; A61B 17/2816; A61B 17/29;
A61B 17/295; A61B 18/1445
See application file for complete search history.

(56) **References Cited**

U.S. PATENT DOCUMENTS

5,417,701 A * 5/1995 Holmes A61B 17/0469
606/147
6,063,096 A * 5/2000 Boebel A61B 17/0467
606/148

(Continued)

Primary Examiner — Wan Laymon

(74) *Attorney, Agent, or Firm* — Muncy, Geissler, Olds &
Lowe, P.C.

(57) **CLAIM**

The ornamental design for needle holder for surgical application, as shown and described.

DESCRIPTION

FIG. 1 is a front perspective in a closed position view of a needle holder for surgical application according to the present invention.

FIG. 2 is a left side view in a closed position view of the needle holder for surgical application of FIG. 1.

FIG. 3 is a right side view in a closed position view of the needle holder for surgical application of FIG. 1.

FIG. 4 is a top view in a closed position view of the needle holder for surgical application of FIG. 1.

FIG. 5 is a bottom view in a closed position view of the needle holder for surgical application of FIG. 1.

FIG. 6 is a front view in a closed position view of the needle holder for surgical application of FIG. 1.

FIG. 7 is a rear view in a closed position view of the needle holder for surgical application of FIG. 1.

FIG. 8 is a front perspective view in an open position view of the needle holder for surgical application of FIG. 1.

FIG. 9 is a left side view in an open position view of the needle holder for surgical application of FIG. 1.

FIG. 10 is a right side view in an open position view of the needle holder for surgical application of FIG. 1.

FIG. 11 is a top view in an open position view of the needle holder for surgical application of FIG. 1.

FIG. 12 is a bottom view in an open position view of the needle holder for surgical application of FIG. 1.

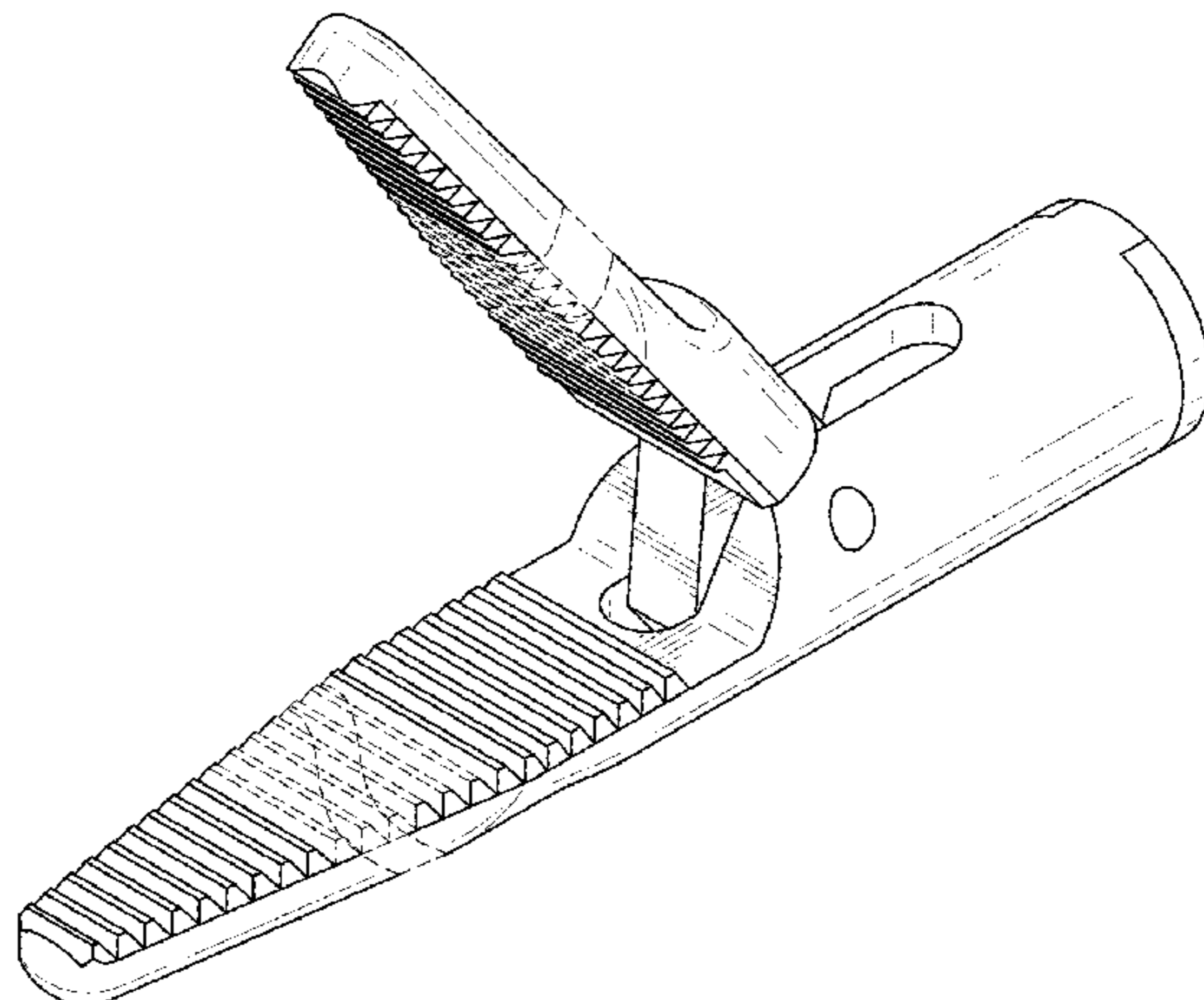
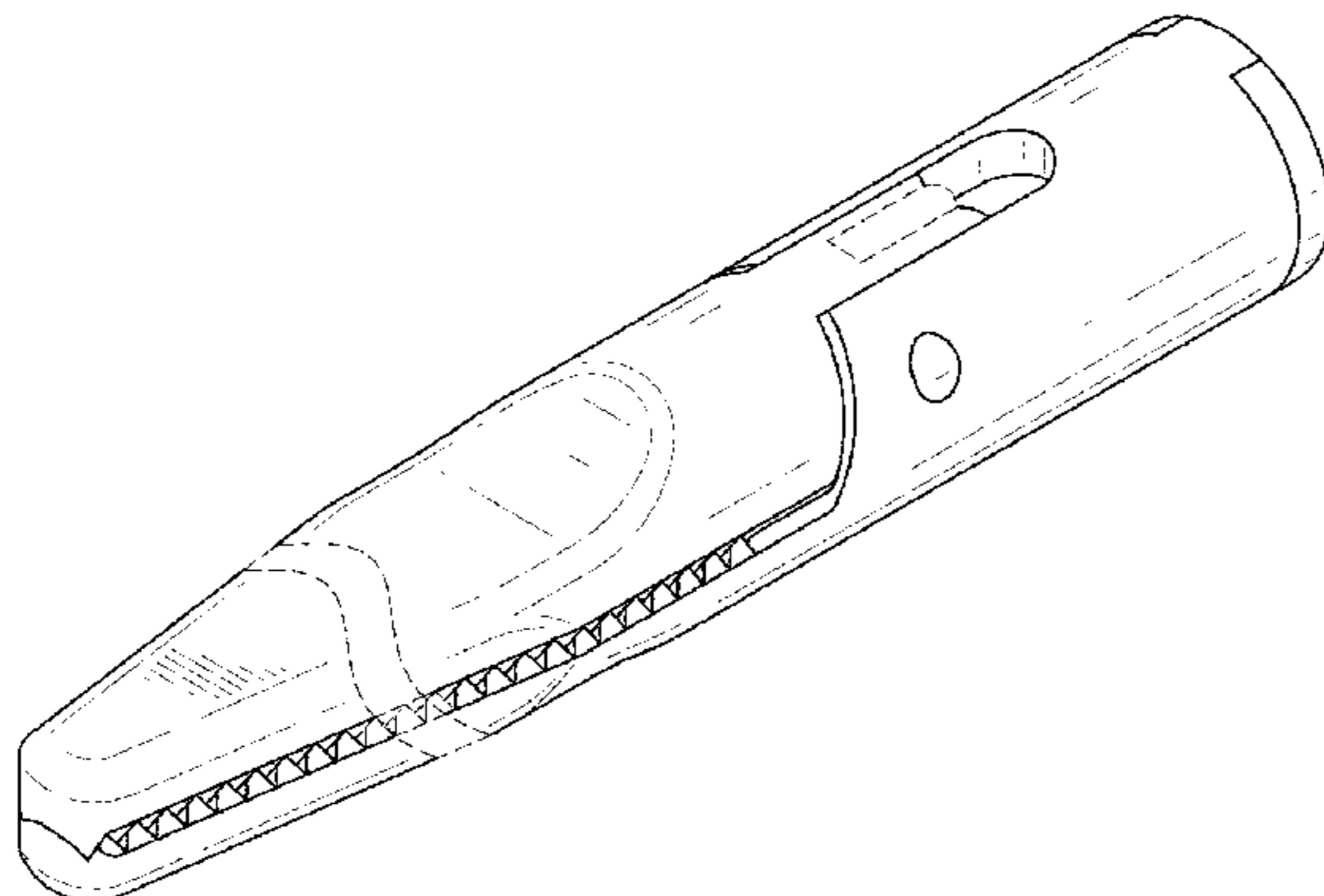
FIG. 13 is a front view in an open position view of the needle holder for surgical application of FIG. 1.

FIG. 14 is a rear view in an open position view of the needle holder for surgical application of FIG. 1; and,

FIG. 15 is a smaller scale perspective of the needle holder for surgical application of FIG. 8 attached to an insert and handle for endoscopic suturing.

The dashed lines illustrate environment that does not form a part of the present invention, and no claim is made to the material illustrated with dashed lines.

1 Claim, 9 Drawing Sheets



US D773,044 S

Page 2

(56)

References Cited

U.S. PATENT DOCUMENTS

6,976,992 B2 *	12/2005	Sachatello	A61B 17/0467	606/205
7,204,835 B2 *	4/2007	Latterell	A61B 18/1445	606/45
D639,944 S *	6/2011	Schneider	D24/143	
8,142,473 B2 *	3/2012	Cunningham	A61B 17/29	606/205
8,398,673 B2 *	3/2013	Hinchliffe	A61B 17/1608	606/205
8,632,563 B2 *	1/2014	Nagase	A61B 17/29	606/205

* cited by examiner

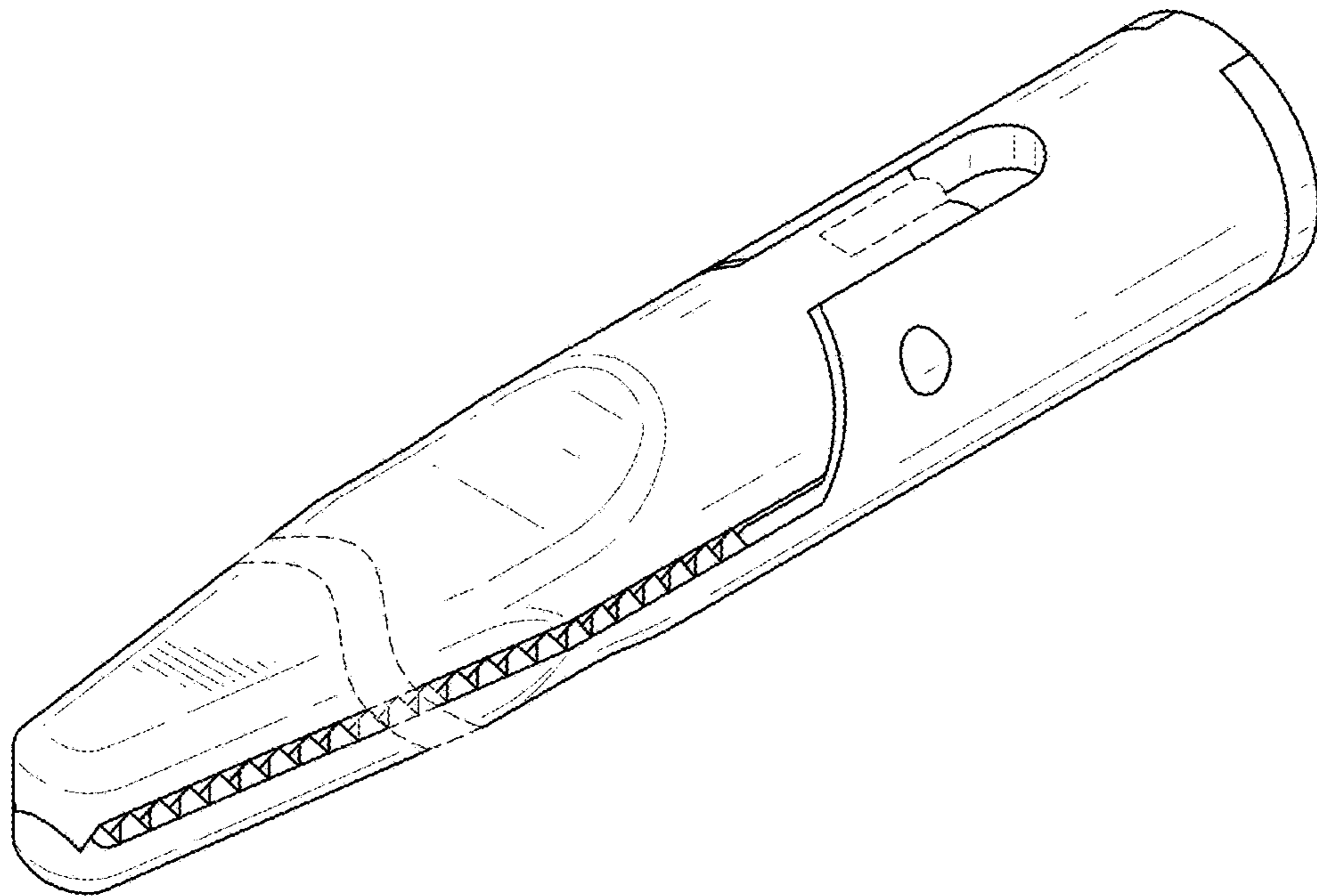


FIG.1

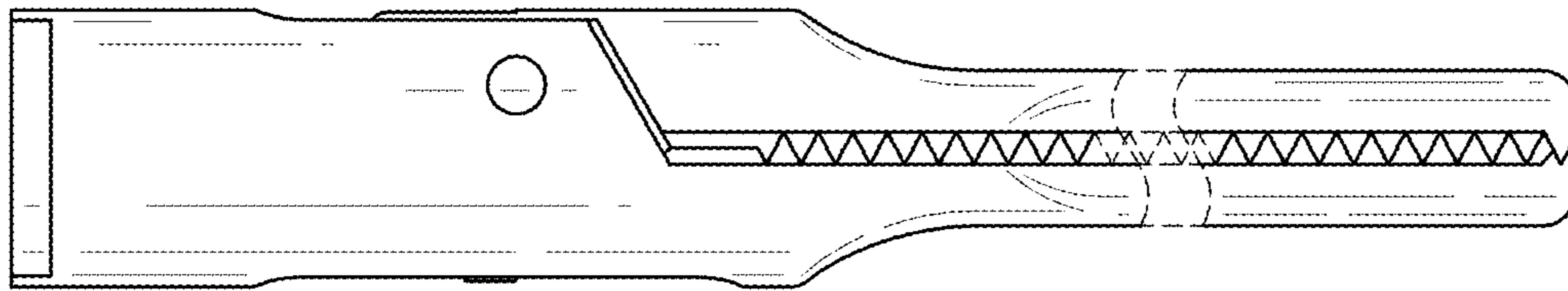


FIG. 2

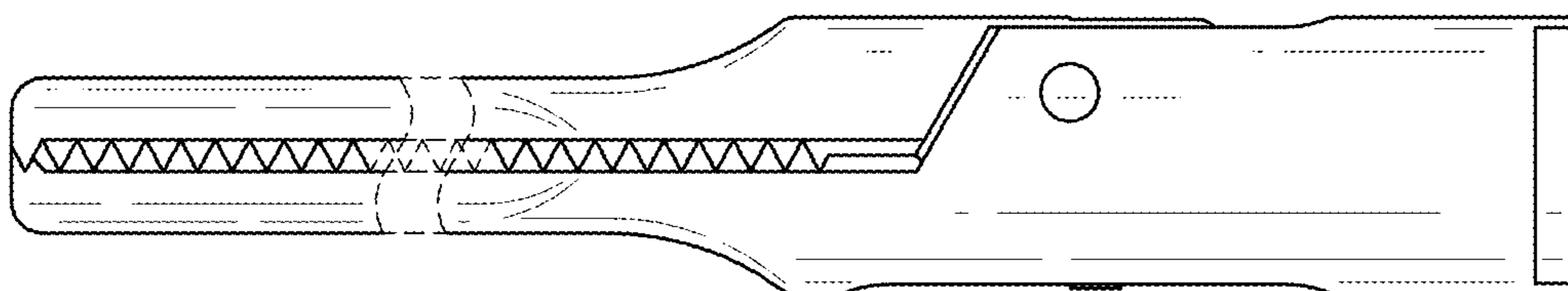


FIG. 3

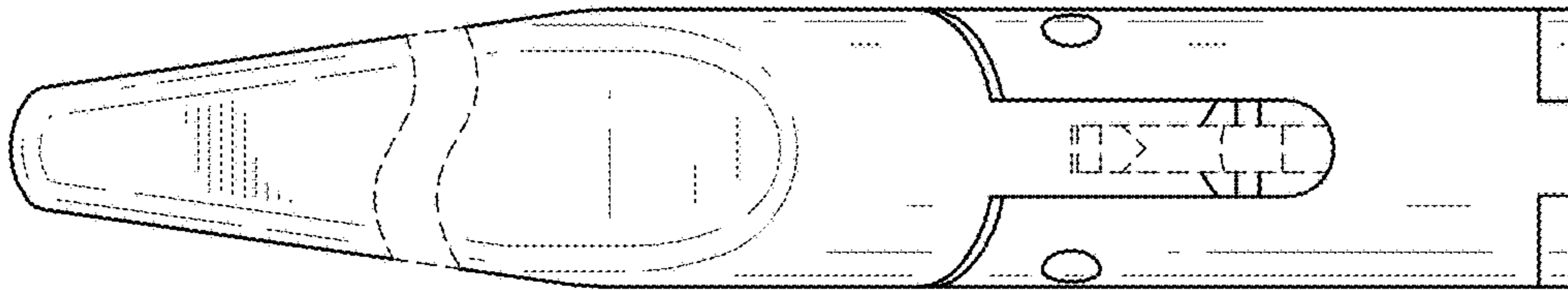


FIG.4

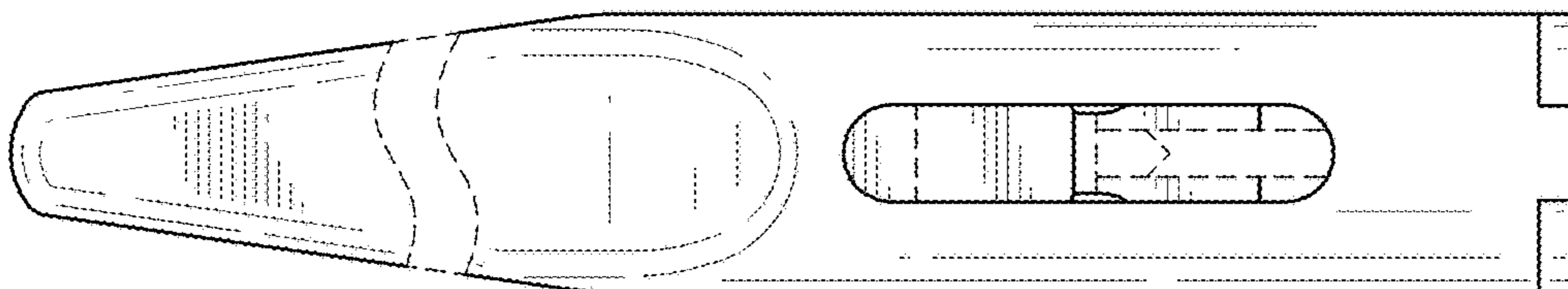


FIG.5

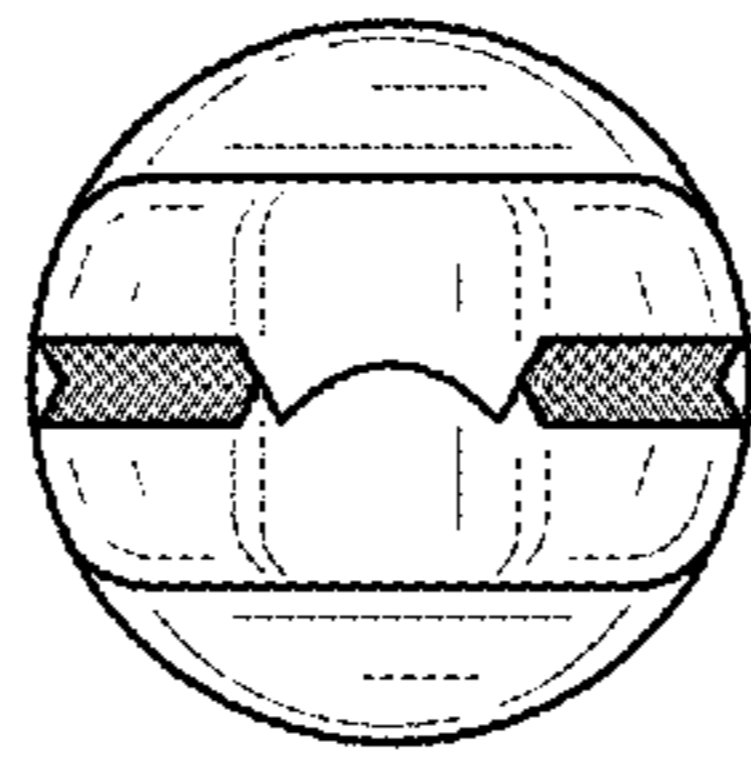


FIG. 6

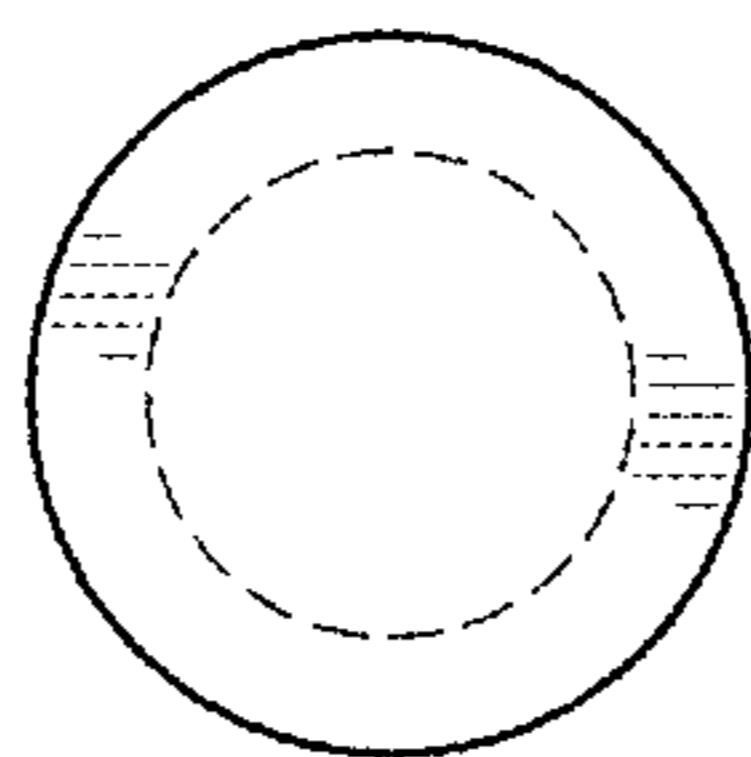


FIG. 7

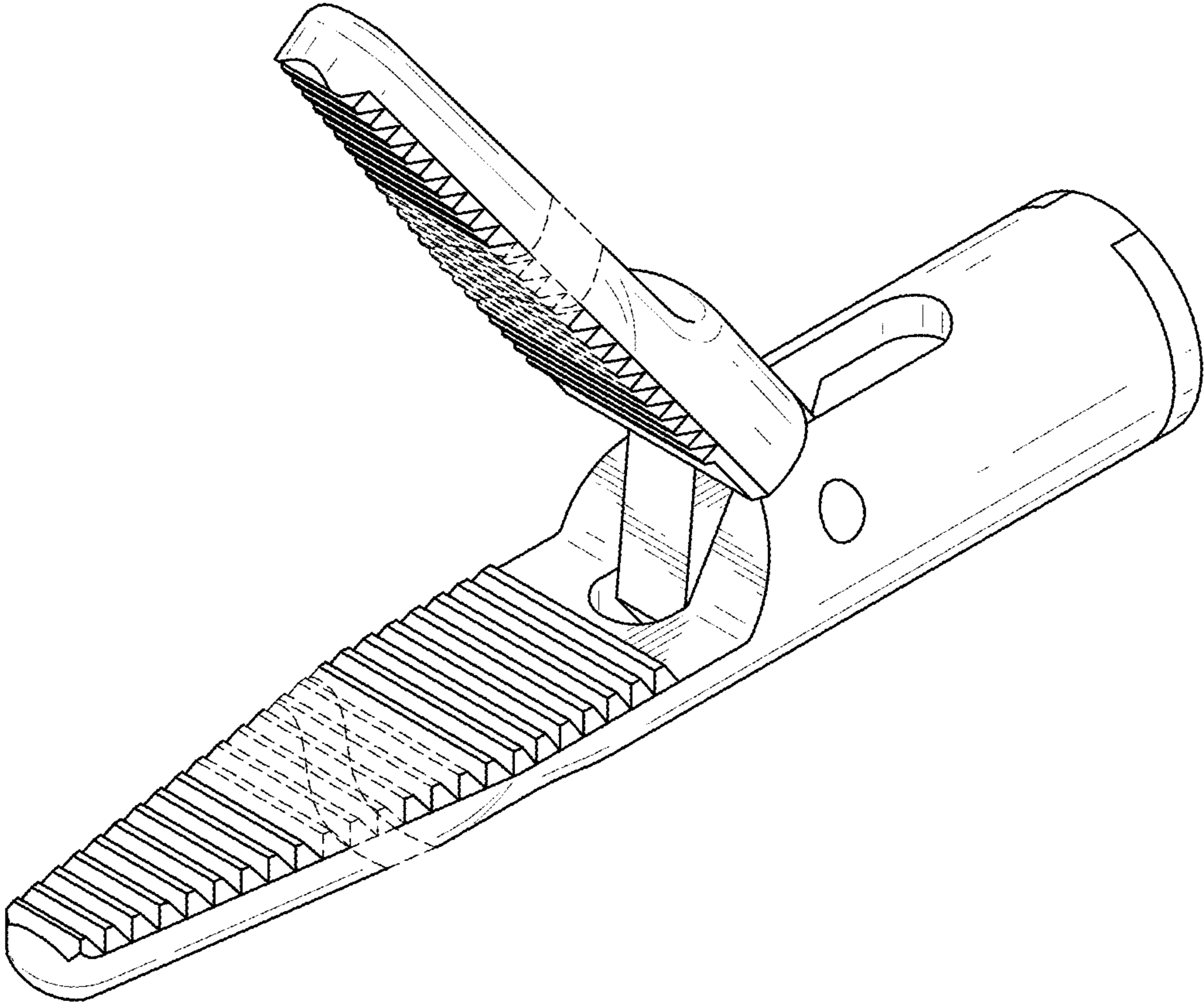


FIG.8

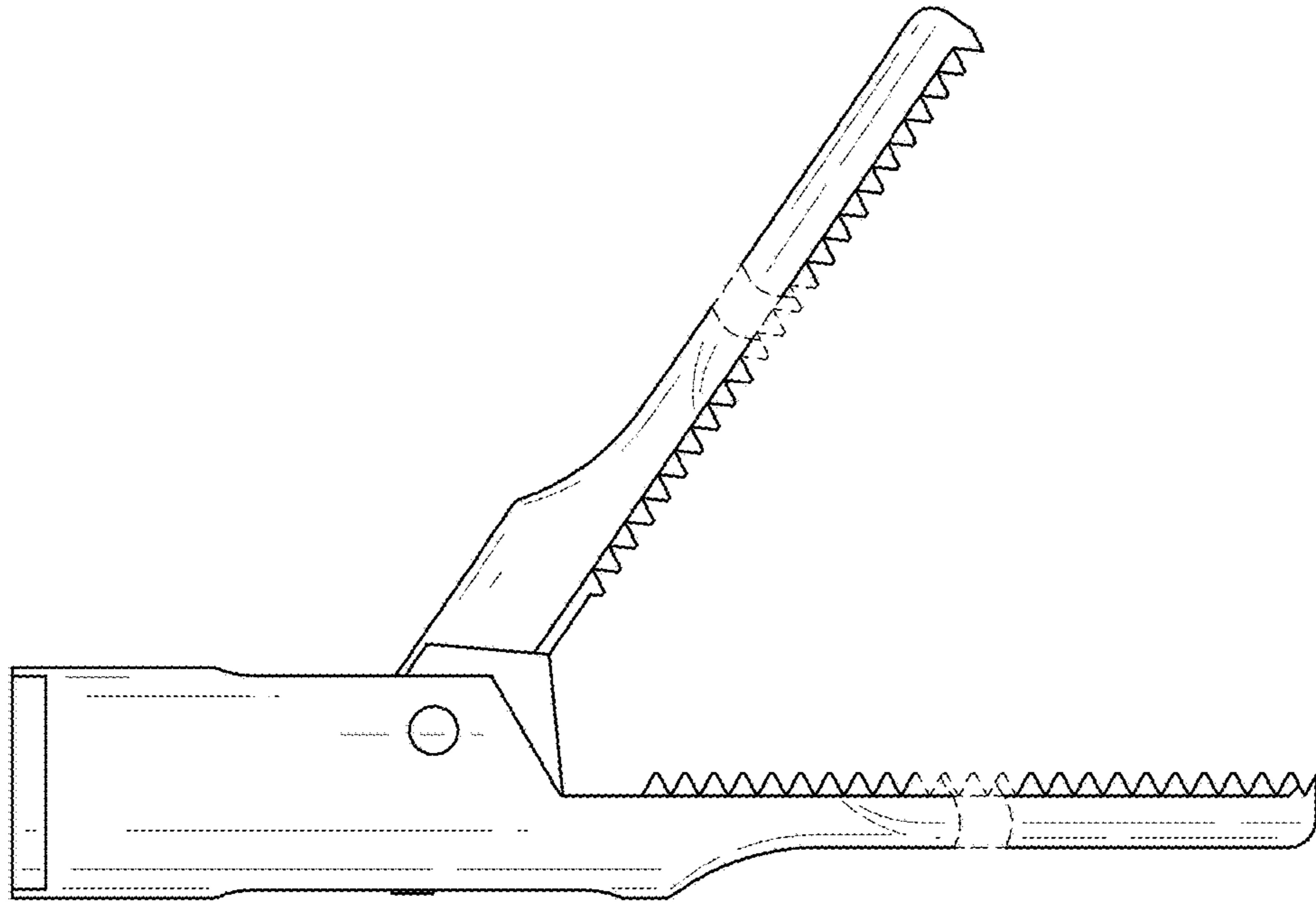


FIG. 9

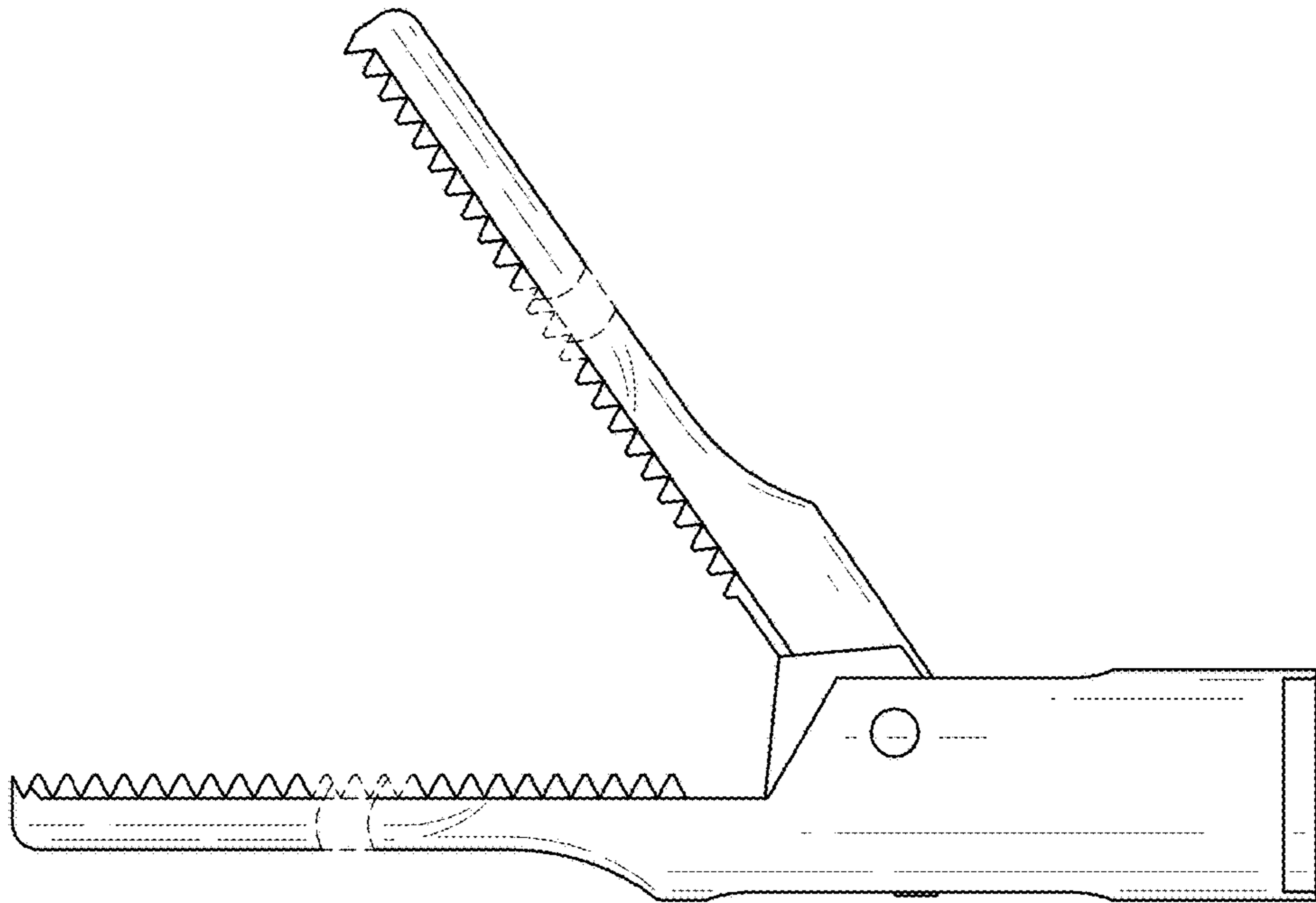


FIG. 10

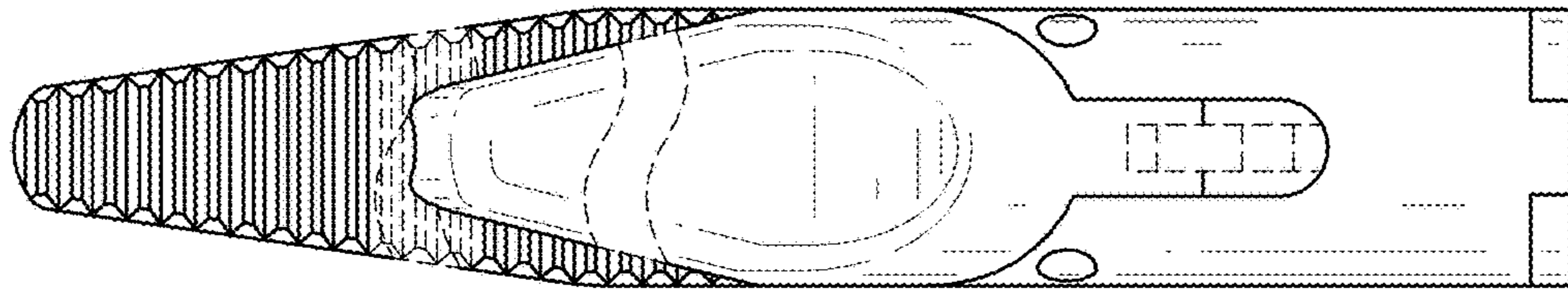


FIG.11

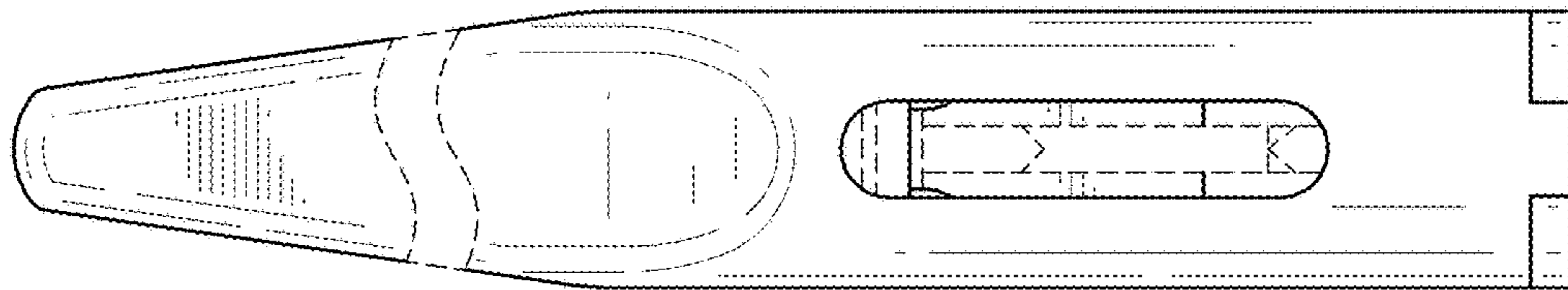


FIG.12

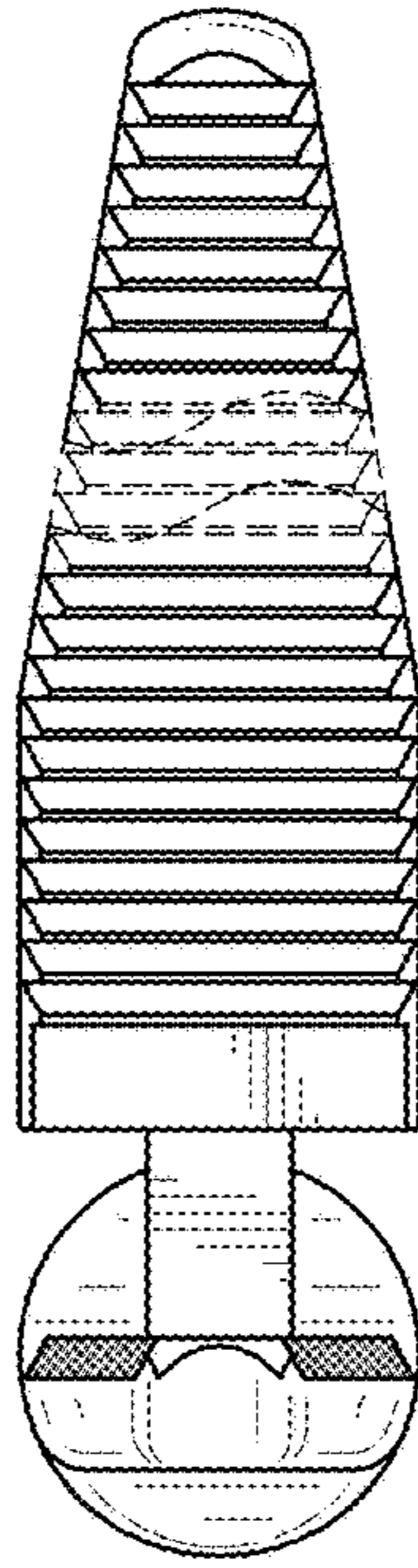


FIG. 13

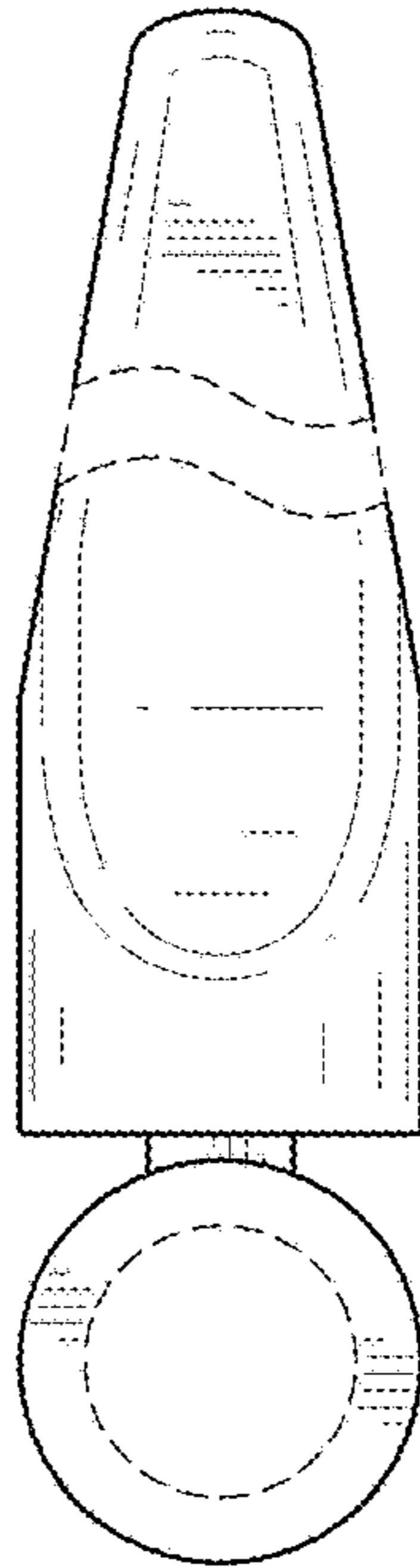


FIG. 14

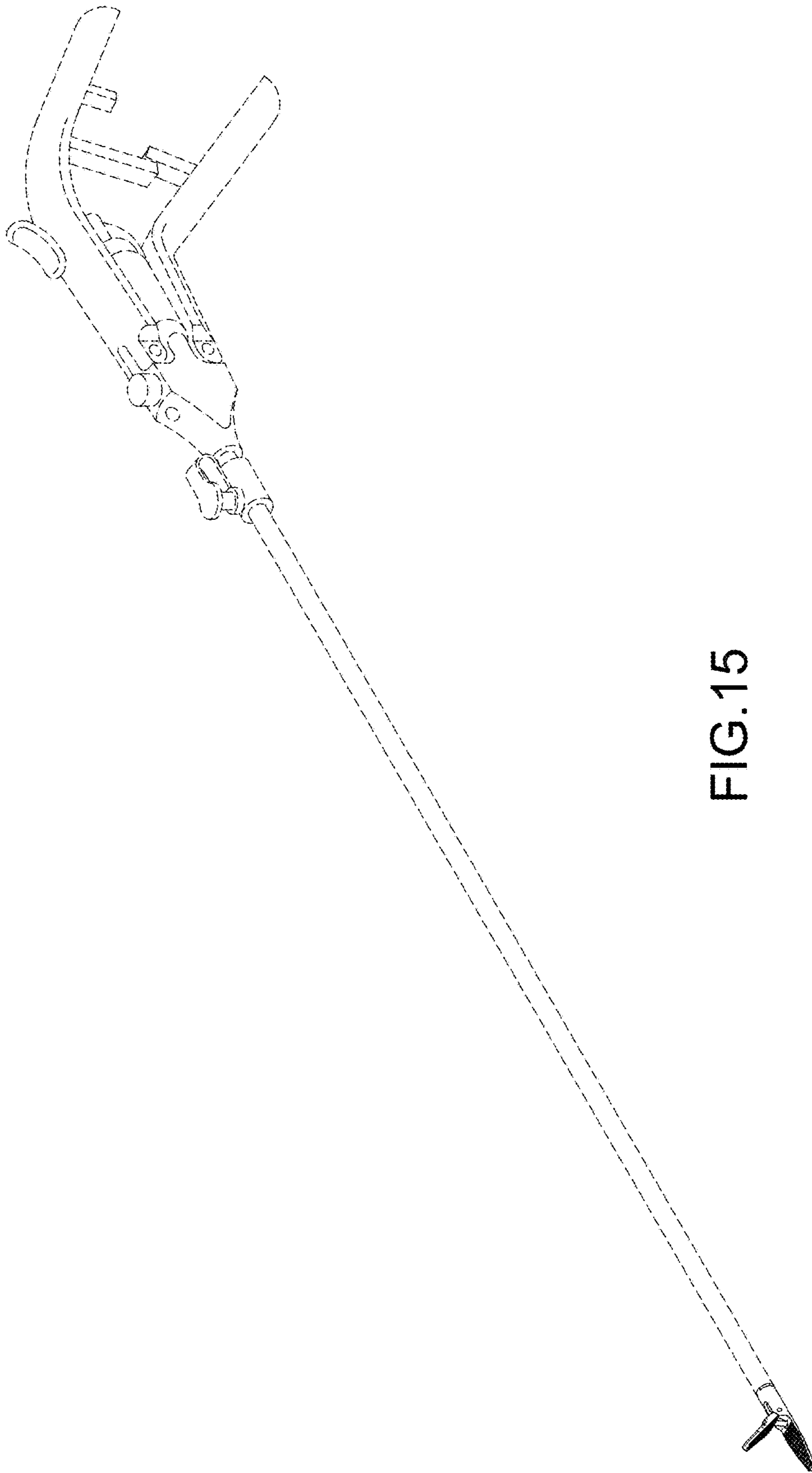


FIG.15