



US00D773043S

(12) **United States Design Patent**
Ingram et al.

(10) **Patent No.:** **US D773,043 S**

(45) **Date of Patent:** **** Nov. 29, 2016**

- (54) **FEMALE ENTERAL COUPLING**
- (71) Applicant: **NEOMED, inc.**, Woodstock, GA (US)
- (72) Inventors: **Aaron N. Ingram**, Canton, GA (US);
Benjamin Martin Davis, Woodstock,
GA (US); **Mark M. Costello**, County
Mayo (IE); **Tony Doherty**, County
Mayo (IE); **John Burke**, County
Roscommon (IE)
- (73) Assignee: **NEOMED, INC.**, Woodstock, GA (US)
- (**) Term: **14 Years**
- (21) Appl. No.: **29/522,856**
- (22) Filed: **Apr. 2, 2015**

Related U.S. Application Data

- (63) Continuation-in-part of application No. 29/501,713,
filed on Sep. 8, 2014, now Pat. No. Des. 759,816.
- (51) **LOC (10) Cl.** **24-02**
- (52) **U.S. Cl.**
USPC **D24/137**
- (58) **Field of Classification Search**
USPC D24/110.6, 111, 137, 138, 133, 108,
D24/112, 129; D8/45, 382; D10/61, 62;
D23/262, 421, 245
CPC Y10T 137/87957; Y10T 137/87925;
Y10T 137/87949; Y10T 137/87965; Y10T
137/87973; Y10T 13/9029; Y10T 403/56;
Y10T 403/7039; Y10T 137/86646; Y10T
137/87917; Y10T 137/87941; Y10T
403/1641
See application file for complete search history.

(56) **References Cited**

U.S. PATENT DOCUMENTS

- D204,670 S * 5/1966 Gilson D24/129
- D204,723 S * 5/1966 Hamilton 604/239
- D284,222 S * 6/1986 Hamilton D24/129
- D314,050 S * 1/1991 Sone D24/129

- D340,111 S * 10/1993 Yoshikawa D24/112
- D355,031 S * 1/1995 Yoshikawa D24/112
- D363,542 S * 10/1995 Parris D24/112
- D625,003 S * 10/2010 Stephens D24/129
- D679,803 S * 4/2013 Carter D24/112

(Continued)

OTHER PUBLICATIONS

- ISO 80369-3, Small Bore Enteral Connector Standards; 3 pgs; Jul.
21, 2014.
- ENFit Female Connector; 1 pg; date unknown.
- ENFit Male Connector; 1 pg; date unknown.

(Continued)

Primary Examiner — Robert M Spear
Assistant Examiner — Eliza Bennett-Hattan
 (74) *Attorney, Agent, or Firm* — Gardner Groff
 Greenwald & Villanueva, PC

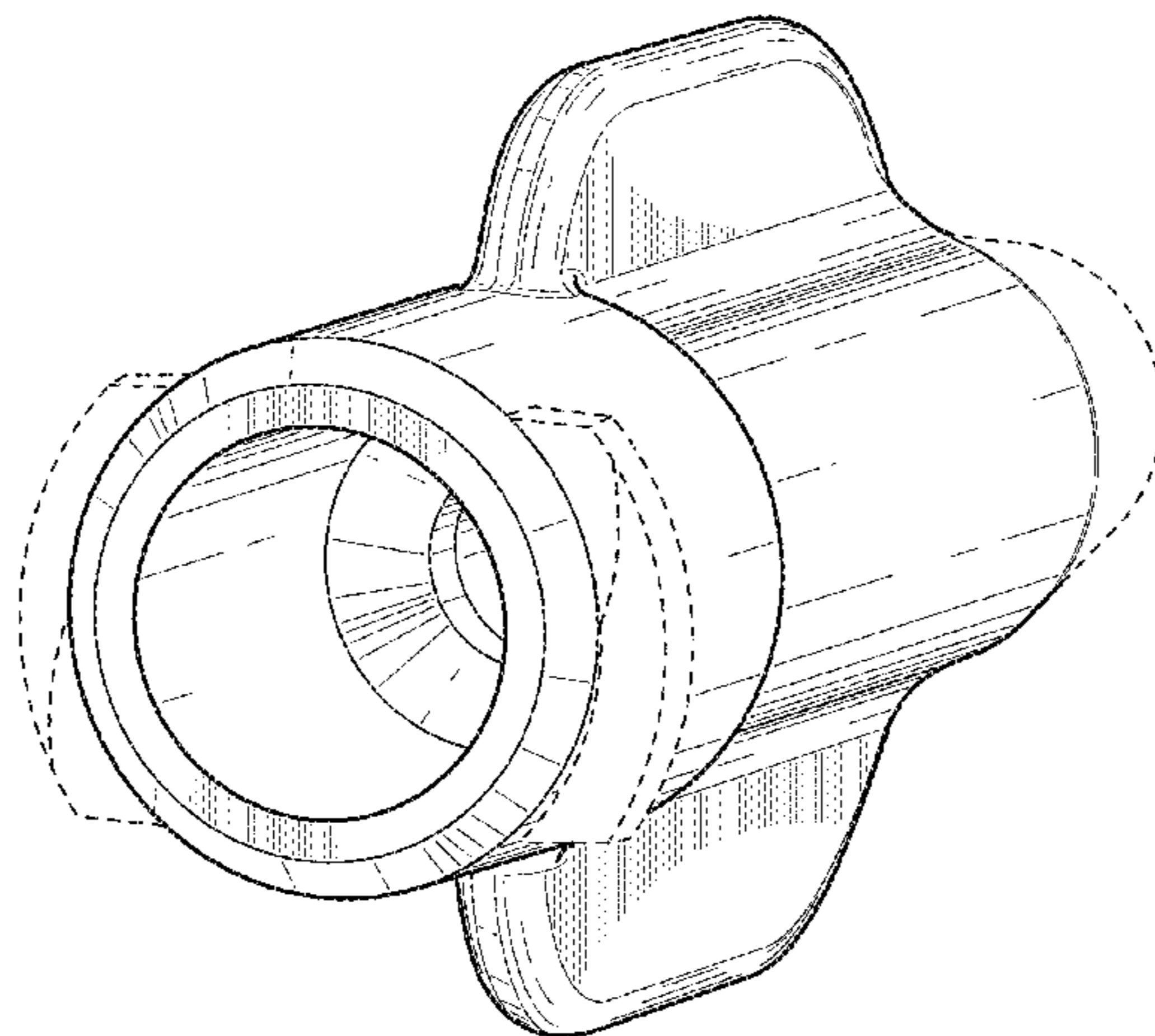
(57) **CLAIM**

The ornamental design for a female enteral coupling, sub-
stantially as shown and described.

DESCRIPTION

FIG. 1 is a first perspective view of a female enteral coupling according to the design.
 FIG. 2 is a second perspective view of the female enteral coupling of FIG. 1.
 FIG. 3 is a first side view of the female enteral coupling of FIG. 1.
 FIG. 4 is a second side view of the female enteral coupling of FIG. 1.
 FIG. 5 is a first end view of the female enteral coupling of FIG. 1.
 FIG. 6 is a second end view of the female enteral coupling of FIG. 1.
 FIG. 7 is a top view of the female enteral coupling of FIG. 1; and,
 FIG. 8 is a bottom view of the female enteral coupling of FIG. 1.

1 Claim, 5 Drawing Sheets



(56)

References Cited

OTHER PUBLICATIONS

U.S. PATENT DOCUMENTS

D700,318 S * 2/2014 Amoah D24/112
D737,436 S * 8/2015 Lev D24/129
D759,816 S * 6/2016 Ingram D24/137

StayConnected2014 Informational Bracelet; 1 pg; date unknown.
<http://www.stayconnected2014.org/get-ready.html>; 1 pg; date
unknown.

* cited by examiner

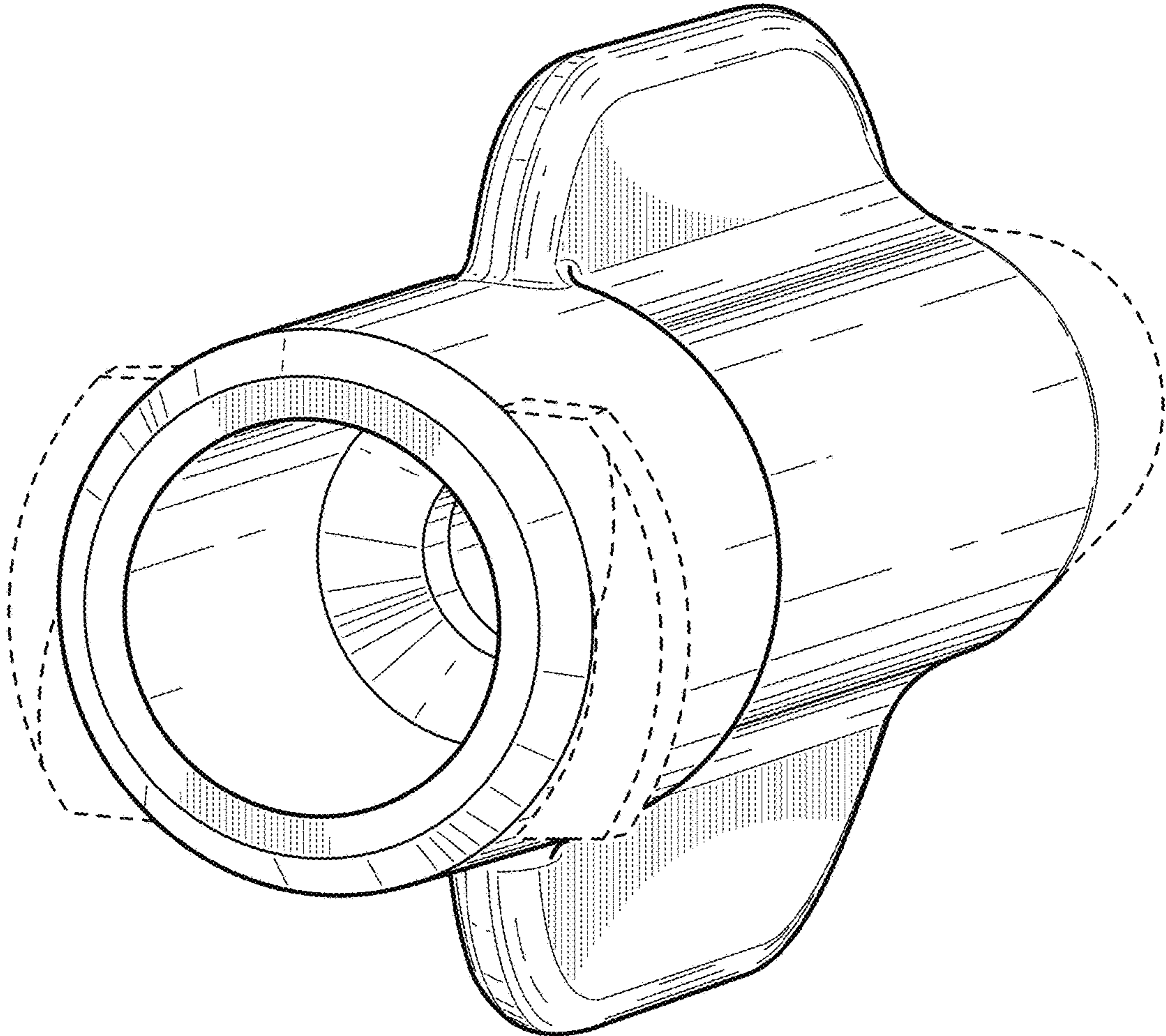


FIG. 1

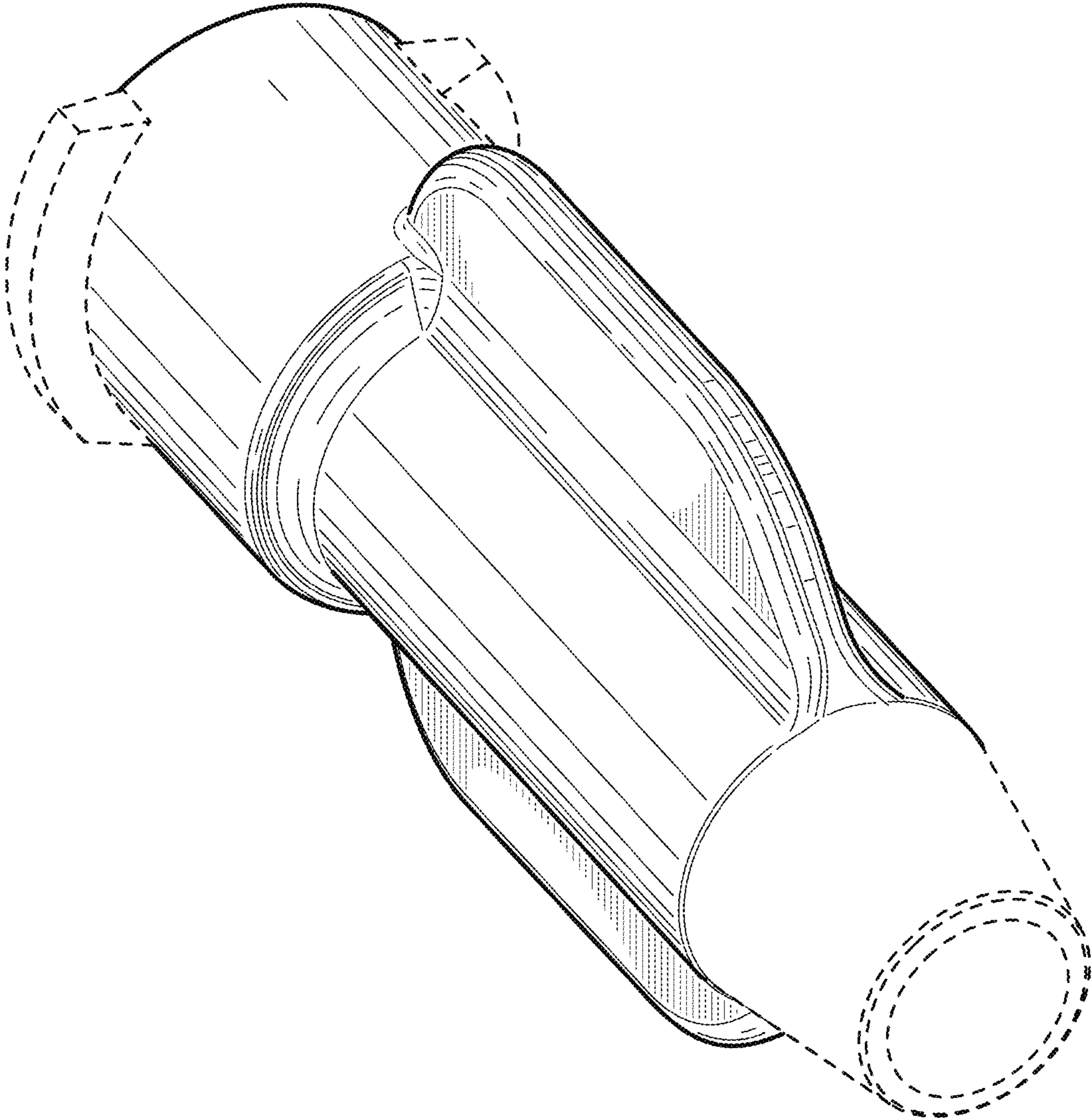


FIG. 2

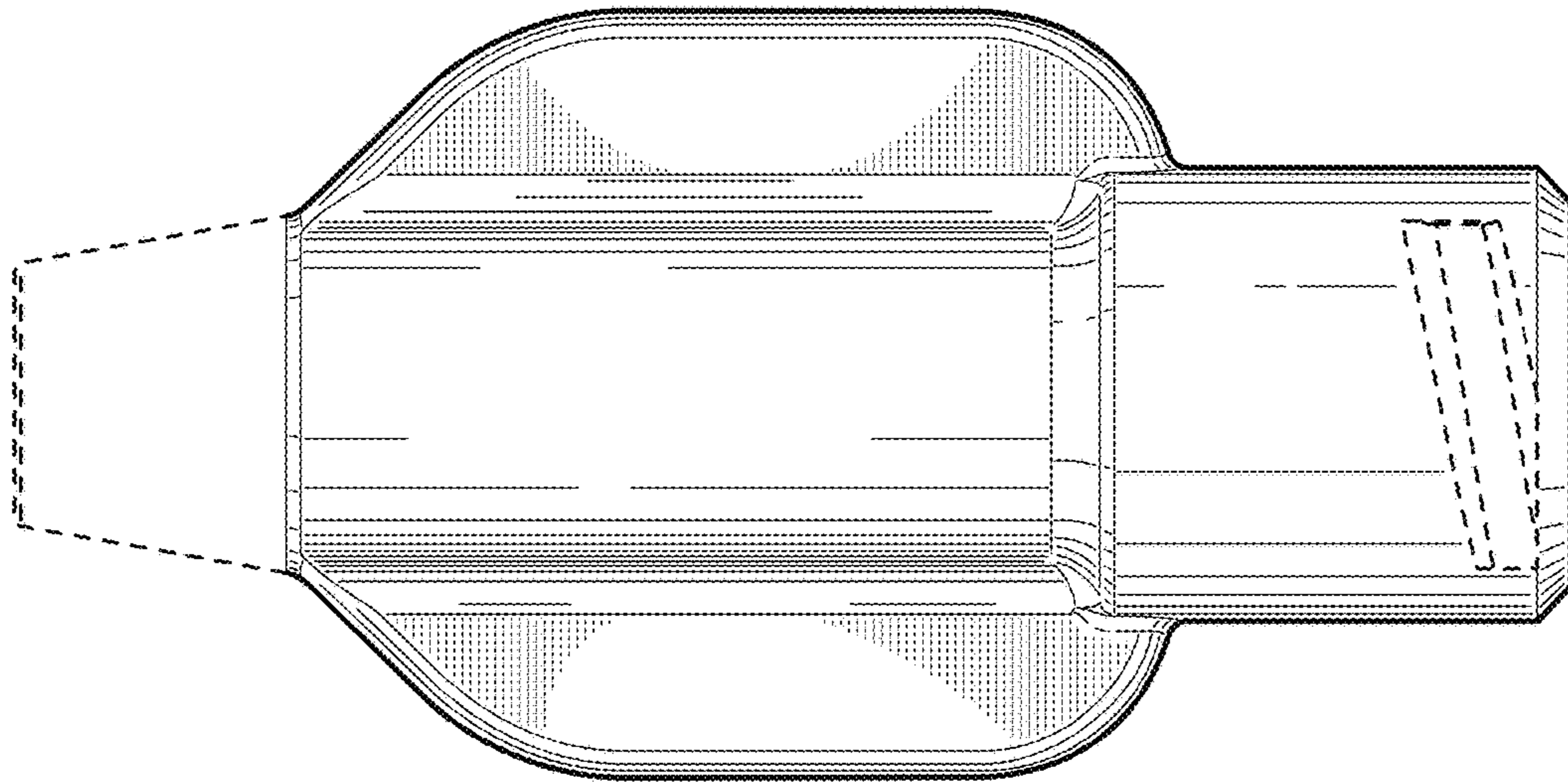


FIG. 3

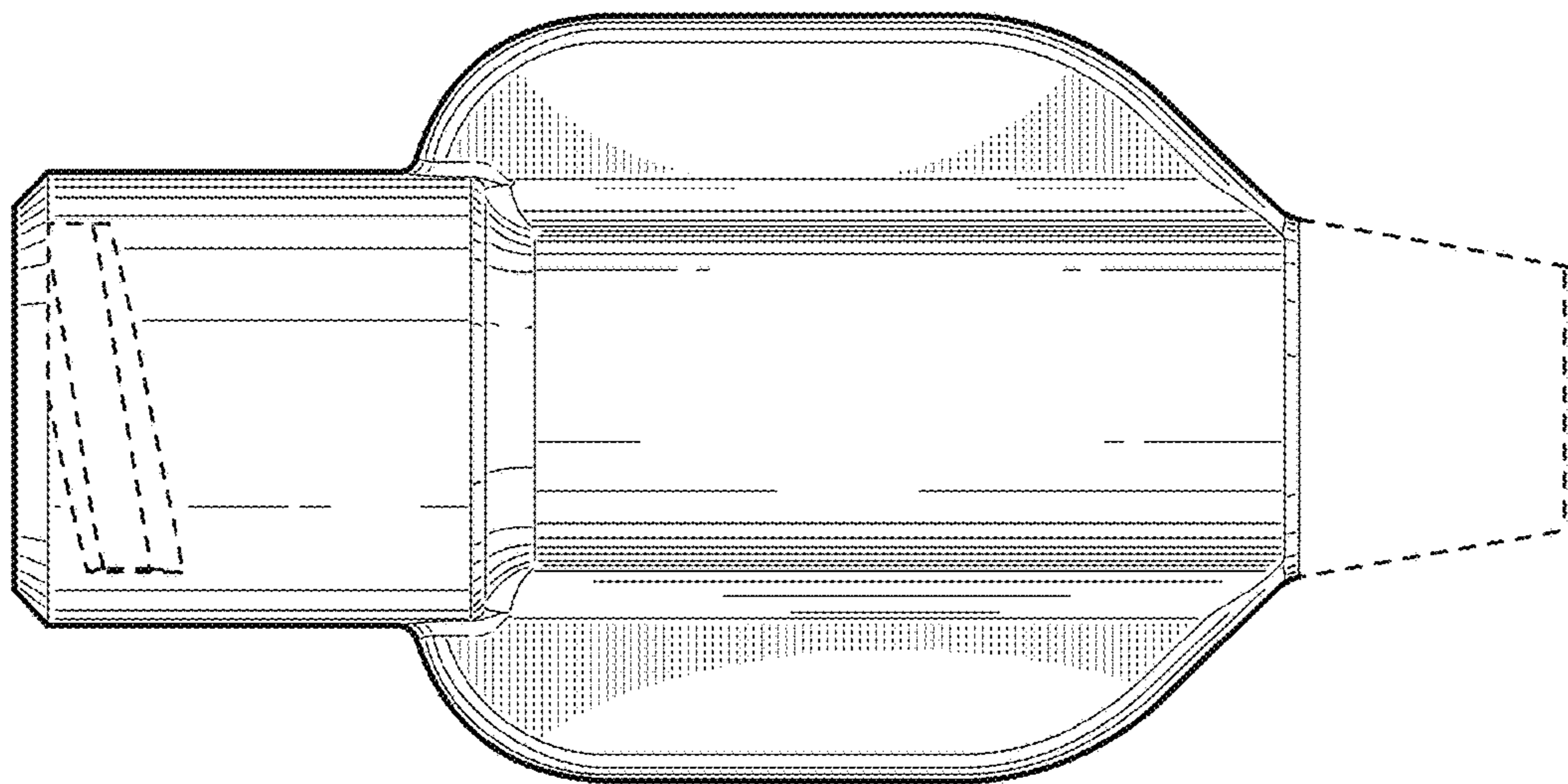


FIG. 4

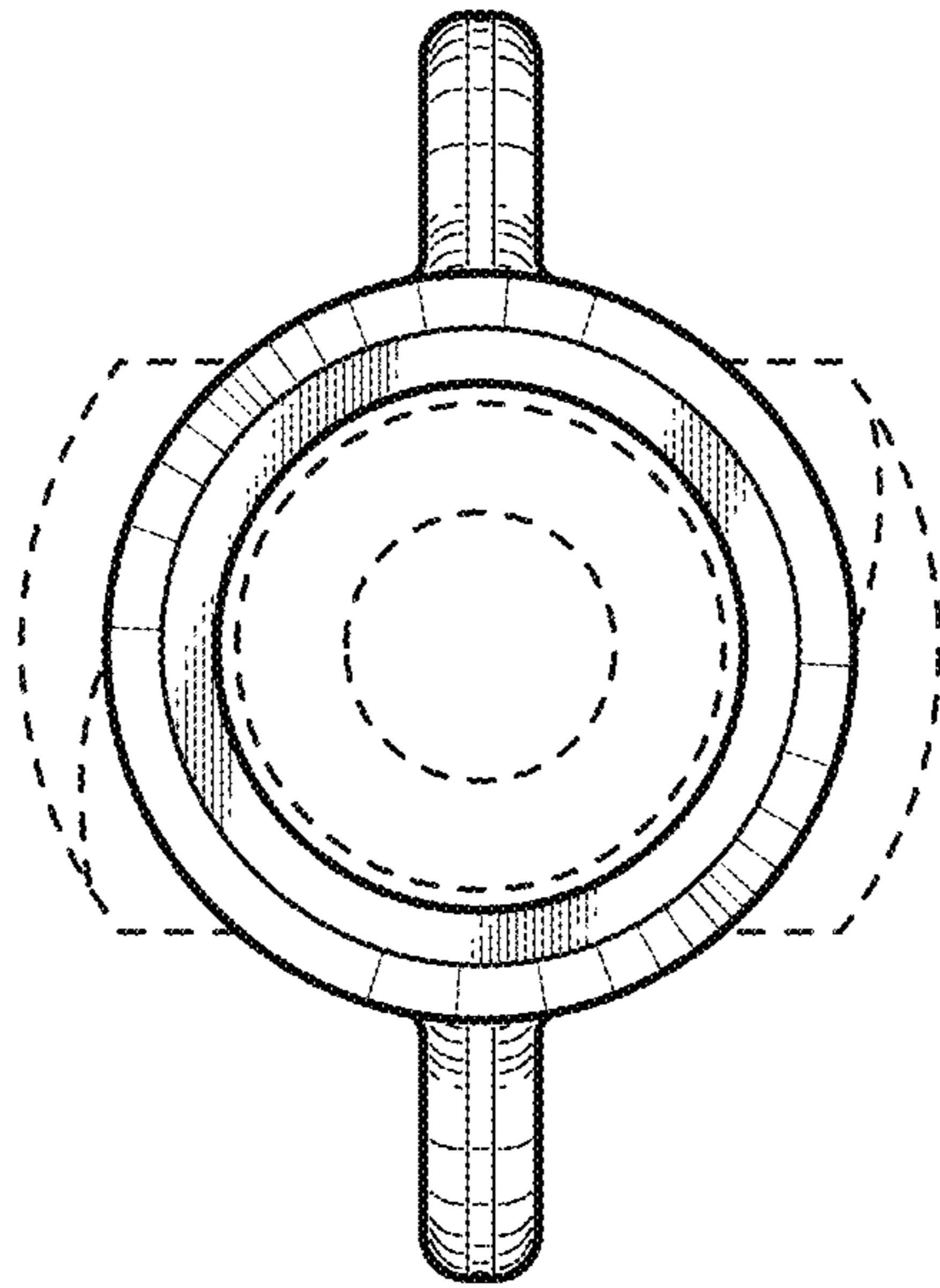


FIG. 5

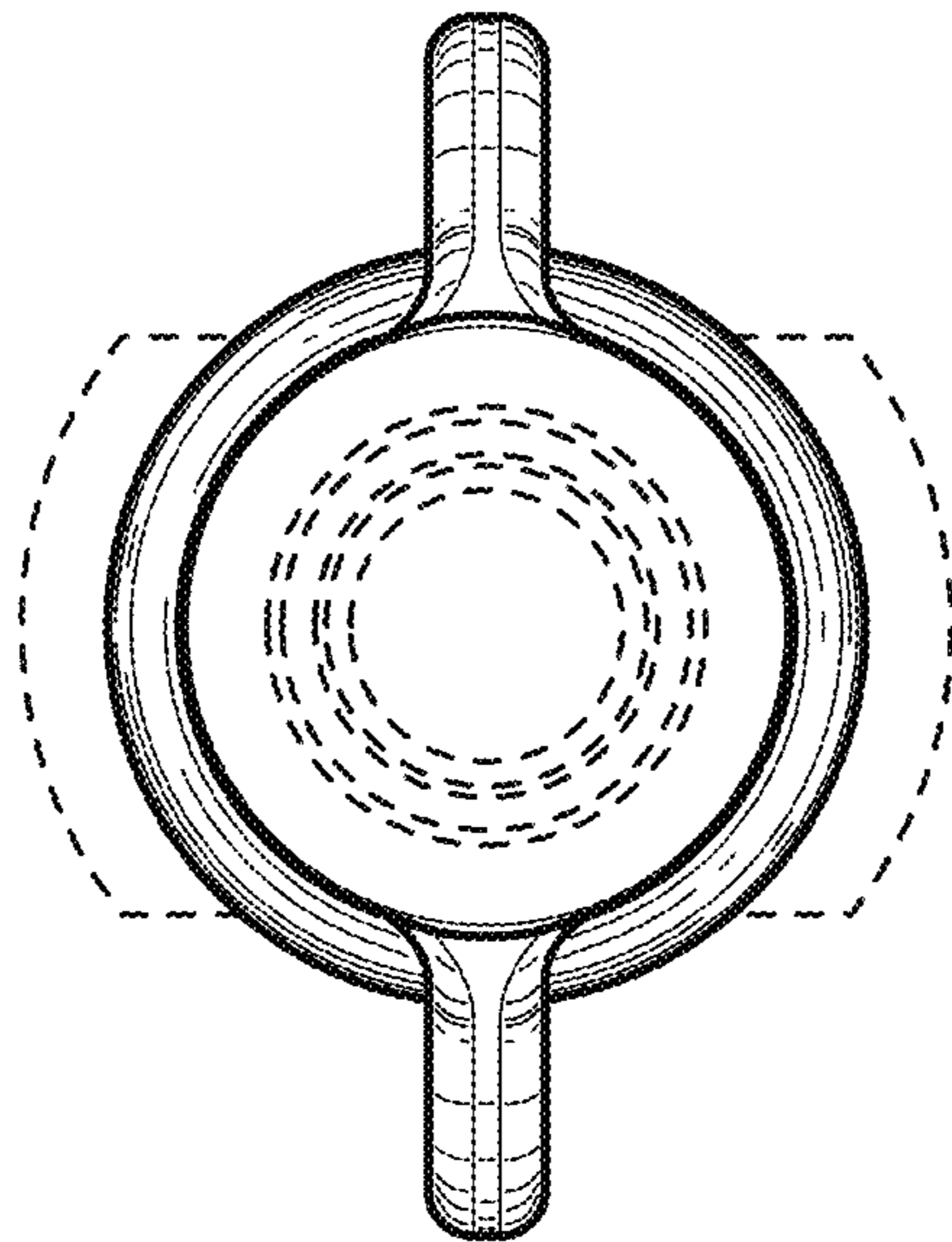


FIG. 6

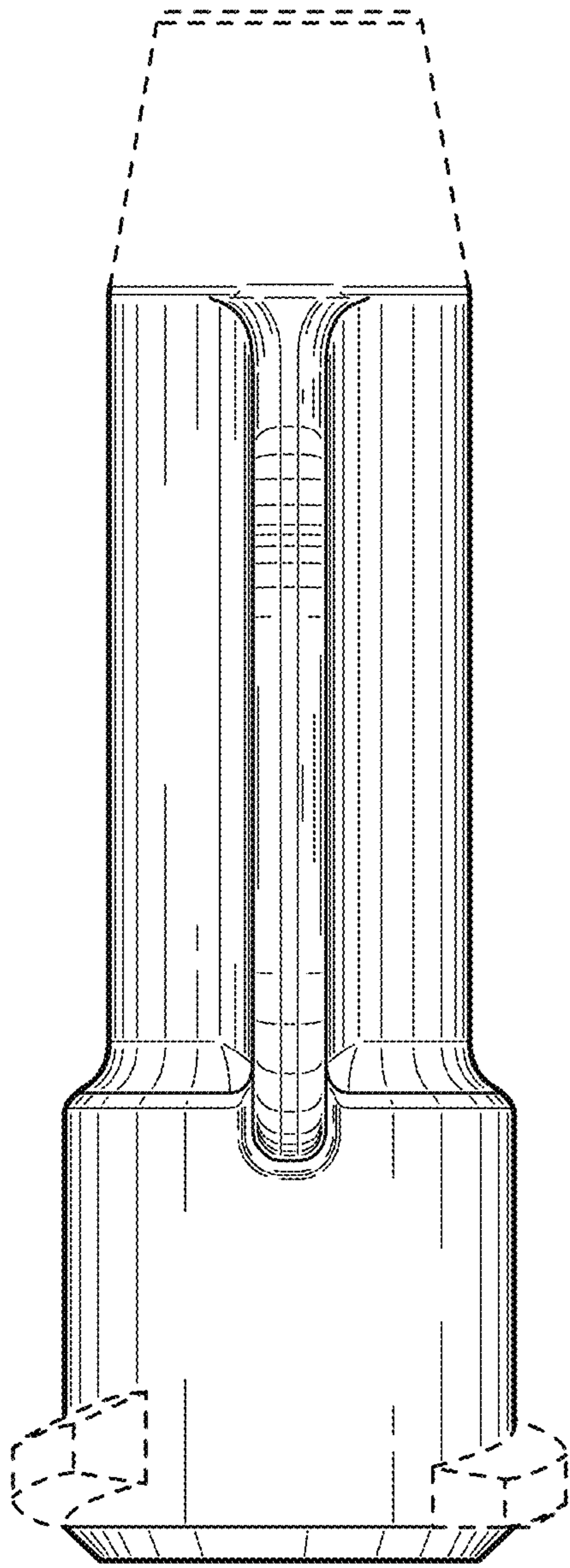


FIG. 7

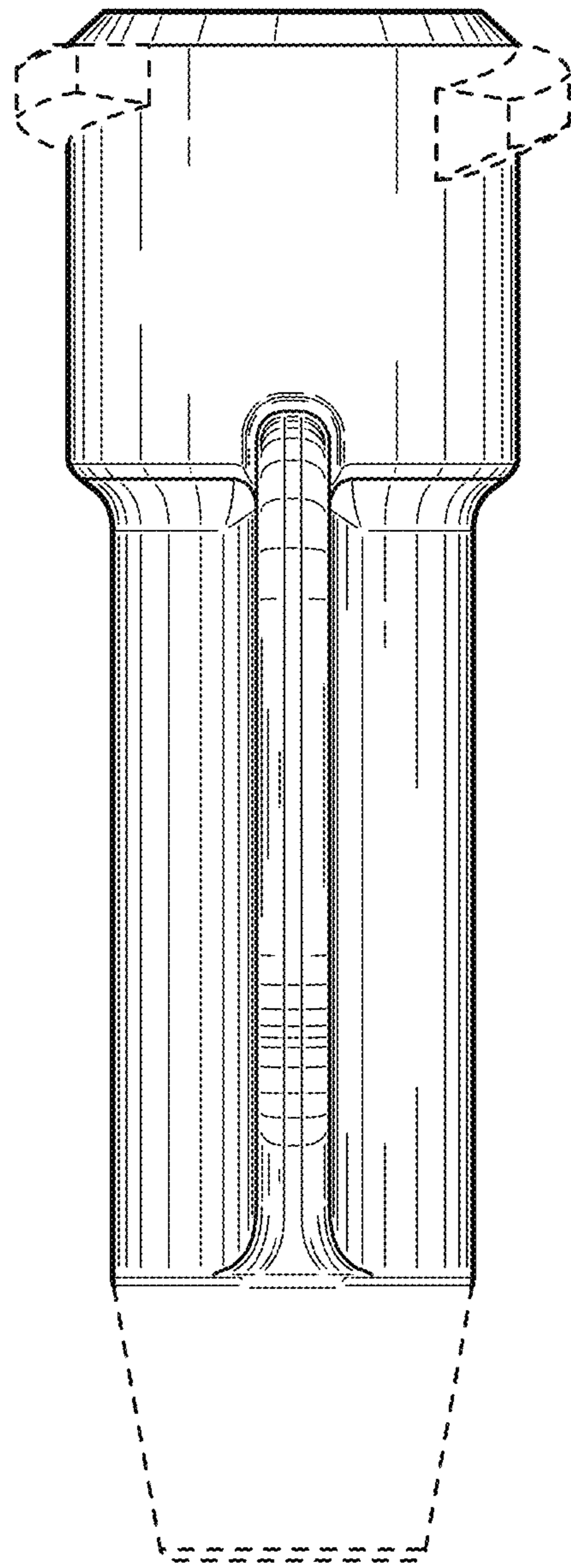


FIG. 8