



US00D773042S

(12) **United States Design Patent** (10) **Patent No.:** **US D773,042 S**
Hwang et al. (45) **Date of Patent:** **** Nov. 29, 2016**

(54) **MEDICAL SYRINGE**
(71) Applicant: **REV-MED, INC**, Seongnam,
Gyeonggi-do (KR)
(72) Inventors: **Seok Hyun Hwang**, Incheon (KR);
Bong Geun Shin, Yongin (KR)
(73) Assignee: **REV-MED, INC**, Seongnam,
Gyeonggi-Do (KR)
(**) Term: **14 Years**
(21) Appl. No.: **29/502,151**
(22) Filed: **Sep. 12, 2014**
(51) **LOC (10) Cl.** **24-02**
(52) **U.S. Cl.**
USPC **D24/130**
(58) **Field of Classification Search**
USPC D24/127-131, 112-114, 133, 186;
606/181, 185; 604/264, 523-528, 272,
604/187, 158, 164.01-164.11, 181, 184,
604/227; 600/101, 139, 143; 128/200.24,
128/207.14, 207.15
CPC A61M 25/00; A61M 39/00; A61M 27/00;
A61M 25/0067; A61M 25/0097
See application file for complete search history.

(56) **References Cited**
U.S. PATENT DOCUMENTS
5,498,243 A * 3/1996 Valletunga et al. 604/197
D412,206 S * 7/1999 Basile et al. D24/130
5,985,962 A * 11/1999 Knors et al. 524/101
D461,243 S * 8/2002 Niedospial, Jr. D24/130
D552,773 S * 10/2007 Greenberg D26/37
D649,242 S * 11/2011 Kosinski et al. D24/129

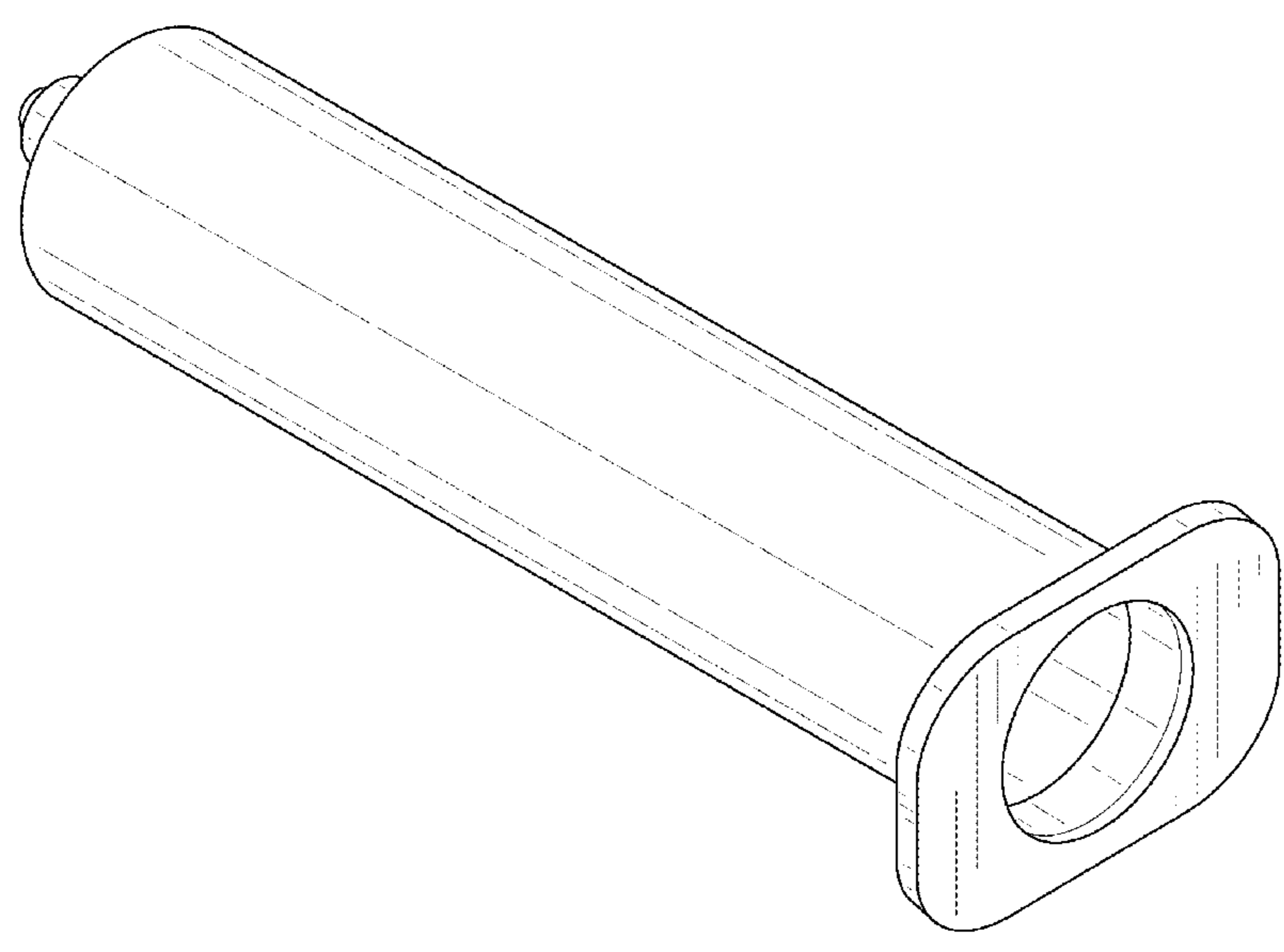
D657,462 S * 4/2012 Siroky D24/130
D667,950 S * 9/2012 Hyun et al. D24/130
D674,086 S * 1/2013 Khalaj D24/114
D690,007 S * 9/2013 Ingram et al. D24/130
D694,638 S * 12/2013 Baker D9/548
D695,892 S * 12/2013 Cappello et al. D24/113
8,609,033 B2 * 12/2013 Hooper et al. 422/186.07
D713,028 S * 9/2014 Yevmenenko D24/130
D715,428 S * 10/2014 Baid D24/130
D726,305 S * 4/2015 Furukawa D24/114
D729,931 S * 5/2015 Takeuchi et al. D24/114
D731,647 S * 6/2015 Nishioka et al. D24/130

* cited by examiner
Primary Examiner — David Muller
(74) *Attorney, Agent, or Firm* — Kile Park Reed &
Houtteman PLLC

(57) **CLAIM**
We claim, the ornamental design for a medical syringe, as
shown and described.

DESCRIPTION
FIG. 1 is a top and front perspective view of a medical
syringe, showing my new design;
FIG. 2 is a front view thereof;
FIG. 3 is a rear view thereof;
FIG. 4 is a left side view thereof;
FIG. 5 is a right side view thereof;
FIG. 6 is a top plan view thereof;
FIG. 7 is a bottom plan view thereof; and,
FIG. 8 is a cross-sectional view taken along the line '8-8' in
FIG. 6.
The broken lines shown in FIG. 8 are included for the
purpose of illustrating portions of the medical syringe that
form no part of the claimed design.

1 Claim, 5 Drawing Sheets



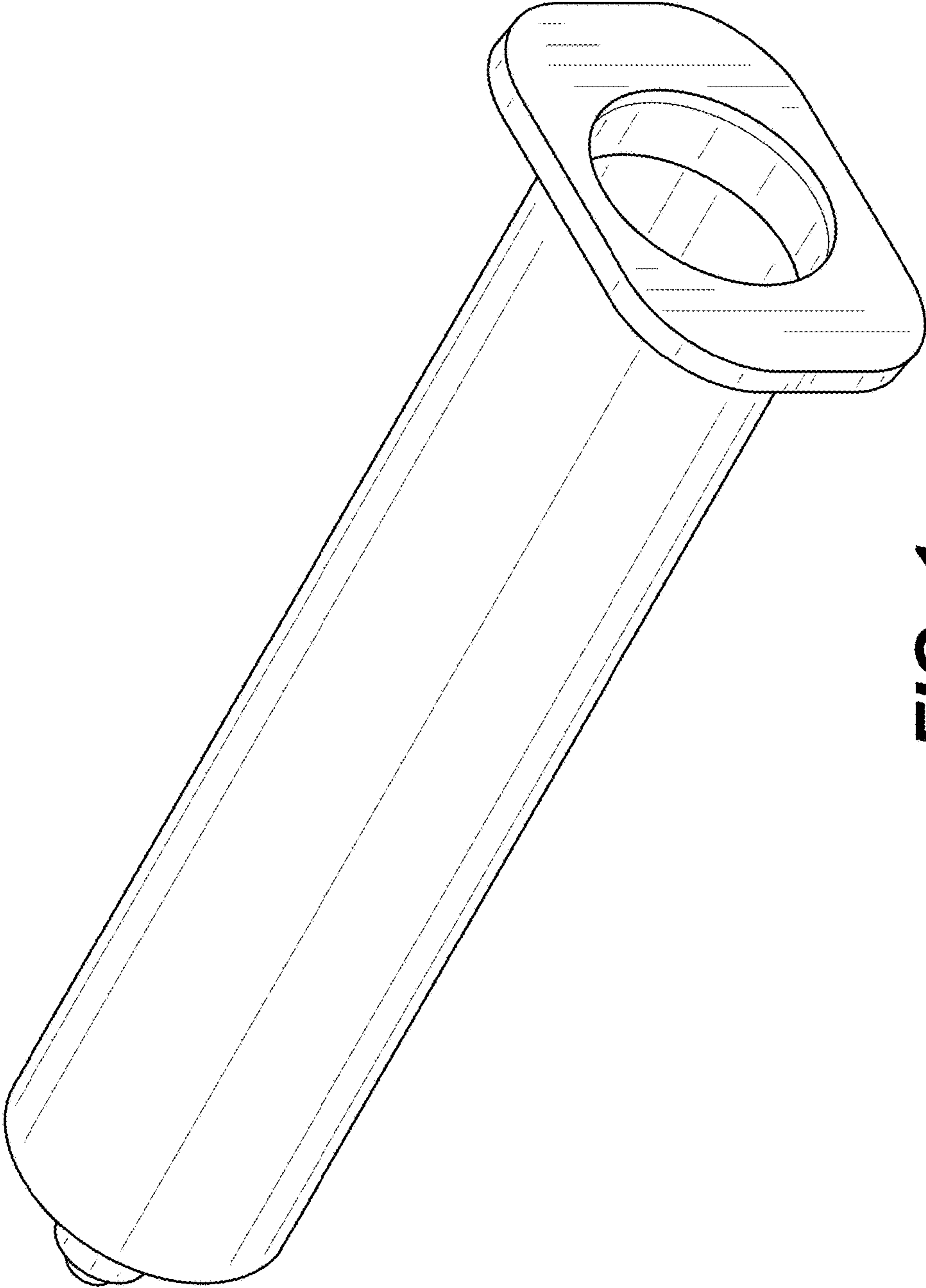


FIG. 1

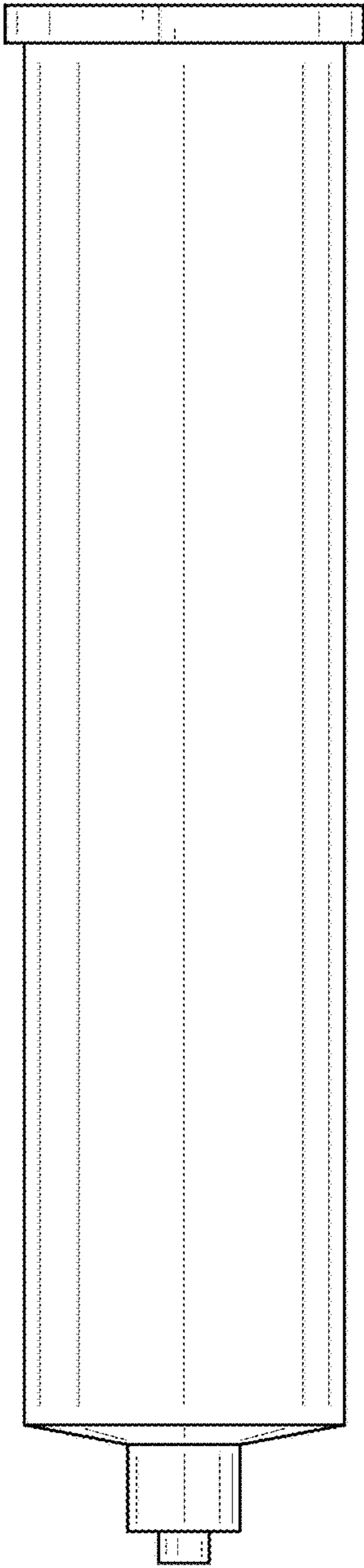


FIG. 2

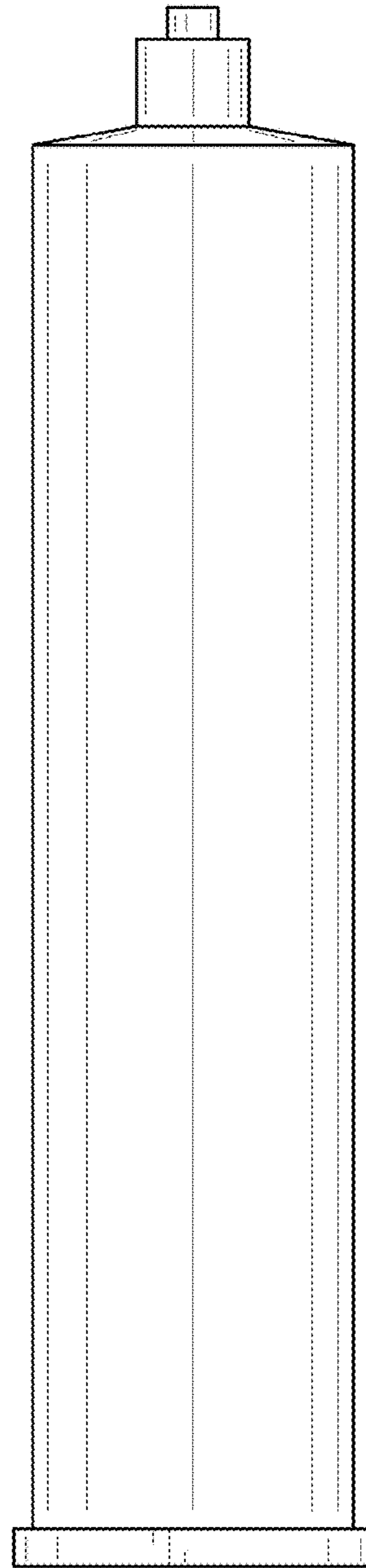


FIG. 3

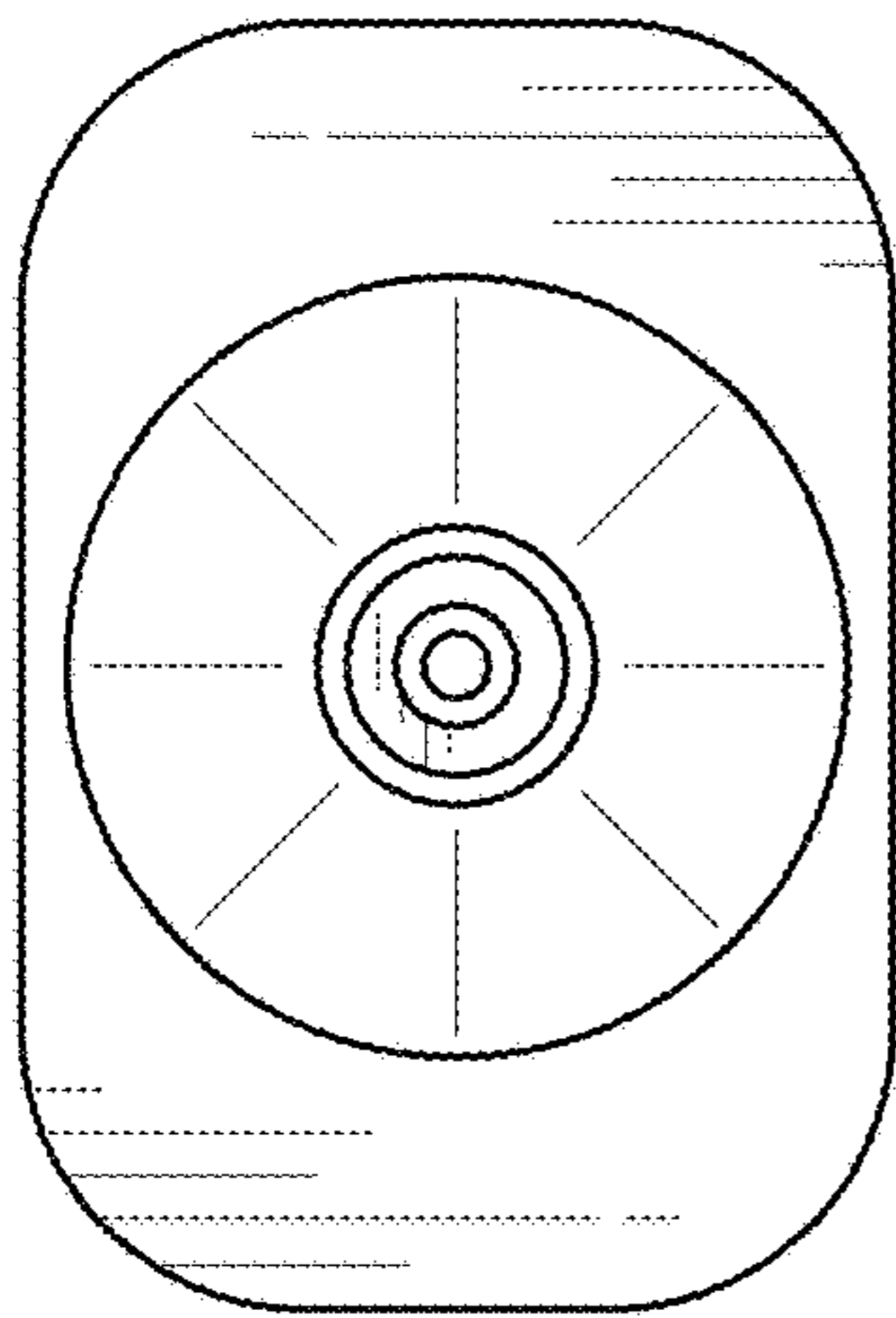


FIG. 4

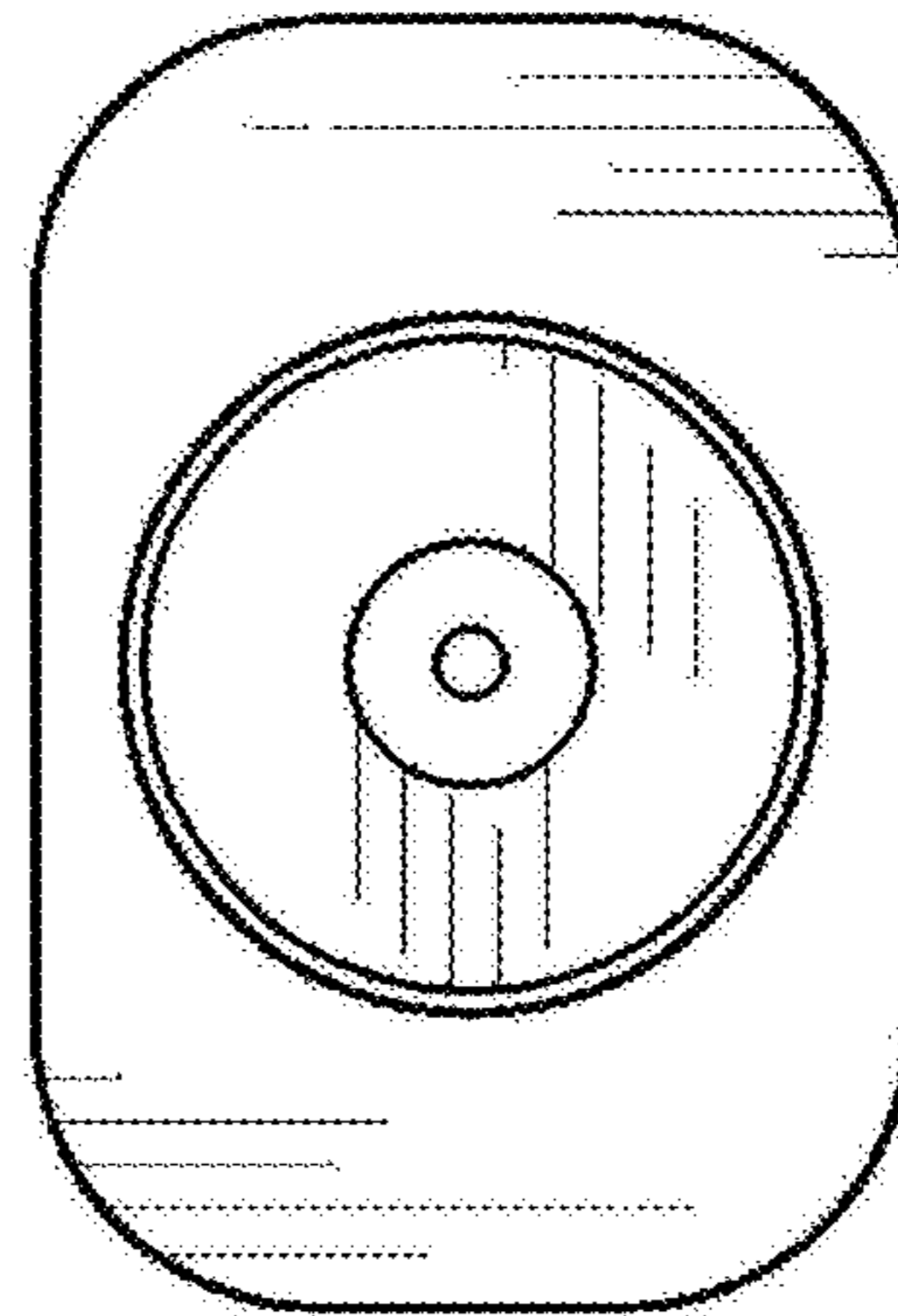


FIG. 5

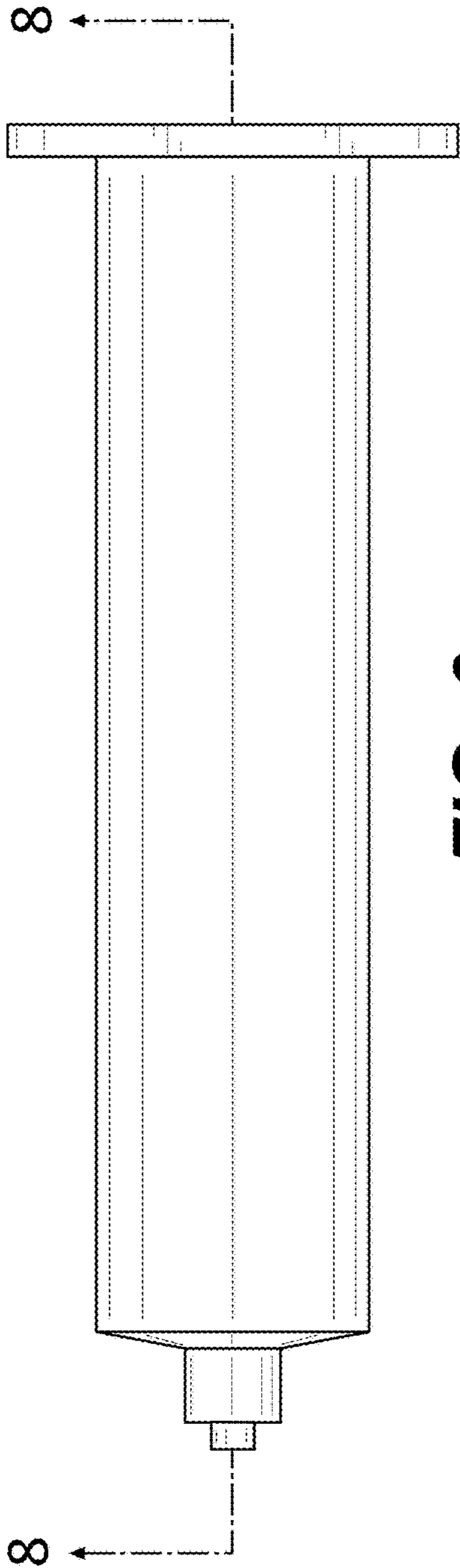


FIG. 6

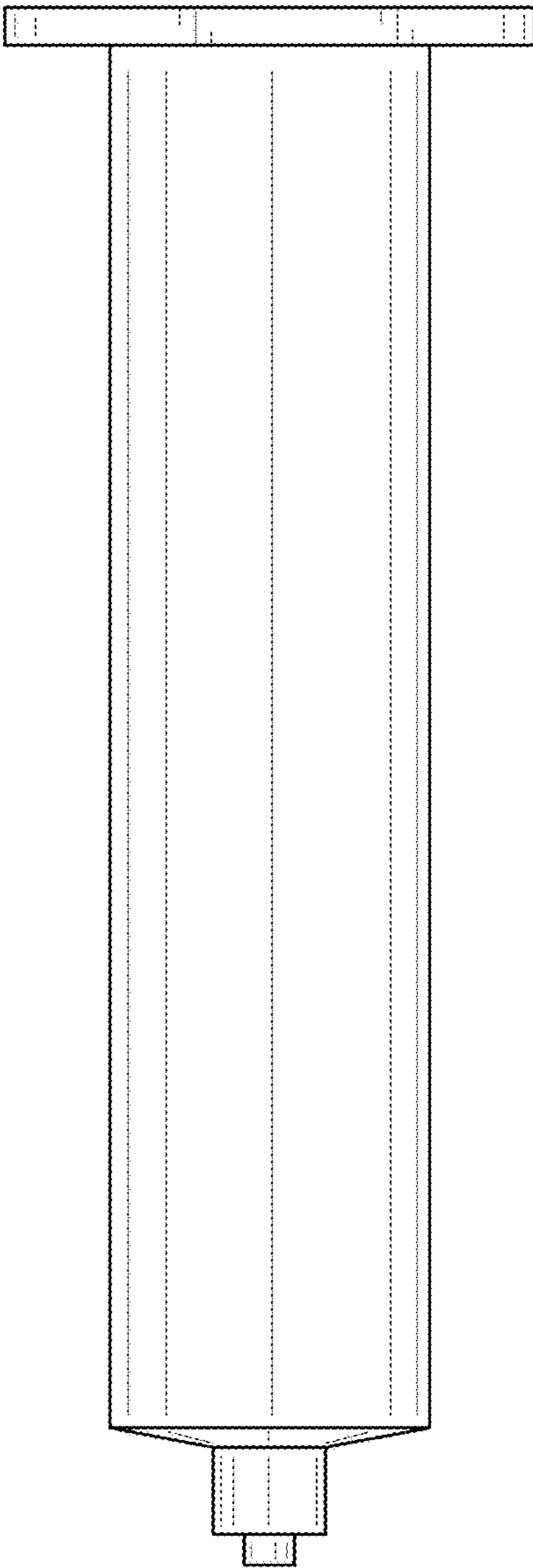


FIG. 7

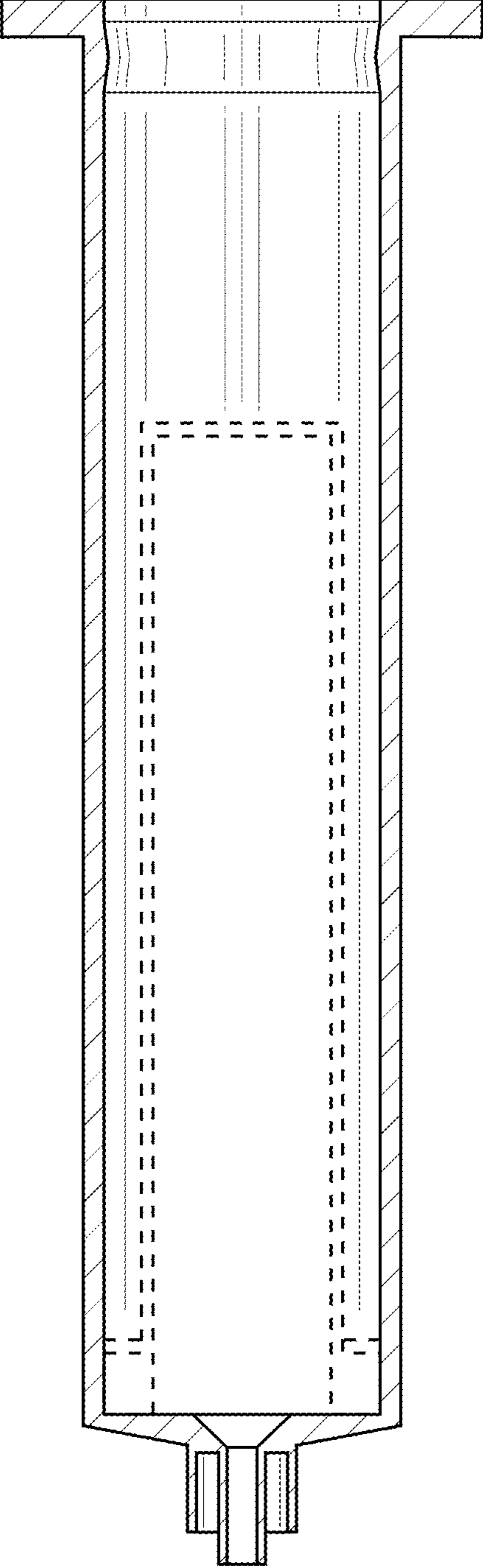


FIG. 8