

US00D773040S

(12) **United States Design Patent** (10) **Patent No.:** **US D773,040 S**  
**Fites et al.** (45) **Date of Patent:** **\*\* Nov. 29, 2016**

(54) **ABSORBENT ARTICLE SUBSTRATE WITH A PATTERN**

(71) Applicant: **The Procter & Gamble Company**, Cincinnati, OH (US)

(72) Inventors: **Theodore Cory Fites**, Cincinnati, OH (US); **Sarah Ann Sanborn**, Frankfurt am Main (DE); **Ann Cecilia Tapp**, West Chester, OH (US); **Kimberly Elizabeth Hawes**, Norwood, OH (US); **Ashley Marie Schwab**, Cincinnati, OH (US)

(73) Assignee: **The Procter & Gamble Company**, Cincinnati, OH (US)

(\*\*) Term: **14 Years**

(21) Appl. No.: **29/490,581**

(22) Filed: **May 12, 2014**

(51) **LOC (10) Cl.** ..... **24-04**

(52) **U.S. Cl.**  
USPC ..... **D24/126**

(58) **Field of Classification Search**  
USPC ..... D24/124-126; D5/60, 21, 25, 26, 35, D5/39, 29, 47, 59, 61  
CPC ..... A61F 13/476; A61F 13/4704; A61F 13/47245; A61F 13/4702; A61F 13/533; A61F 13/47263; A61F 13/15203; B32B 3/266; B41M 3/12; B41M 3/18; B44F 1/00; B44F 3/00; B44F 5/00; B44F 9/10; B44F 11/04; B44F 11/06; D03D 1/0047; D03D 25/003; D04H 1/00; D10B 2503/04; D21H 27/02

See application file for complete search history.

(56) **References Cited**

**U.S. PATENT DOCUMENTS**

D541,932 S \* 5/2007 Lemaire ..... D24/124  
D566,266 S \* 4/2008 Johnson ..... D24/126

D567,369 S \* 4/2008 Gilroy ..... D24/124  
D567,371 S \* 4/2008 Diego ..... D24/126  
D569,505 S \* 5/2008 Bissah ..... D24/124  
D580,050 S \* 11/2008 Rinaldi ..... D24/126  
D584,404 S \* 1/2009 Johnson ..... D24/126  
D612,491 S 3/2010 Sullivan-Conrad et al.

(Continued)

**FOREIGN PATENT DOCUMENTS**

WO WO 2014-078247 A2 5/2014

*Primary Examiner* — Michael A. Pratt

*Assistant Examiner* — Michelle E Wilson

(74) *Attorney, Agent, or Firm* — Andrew A Paul

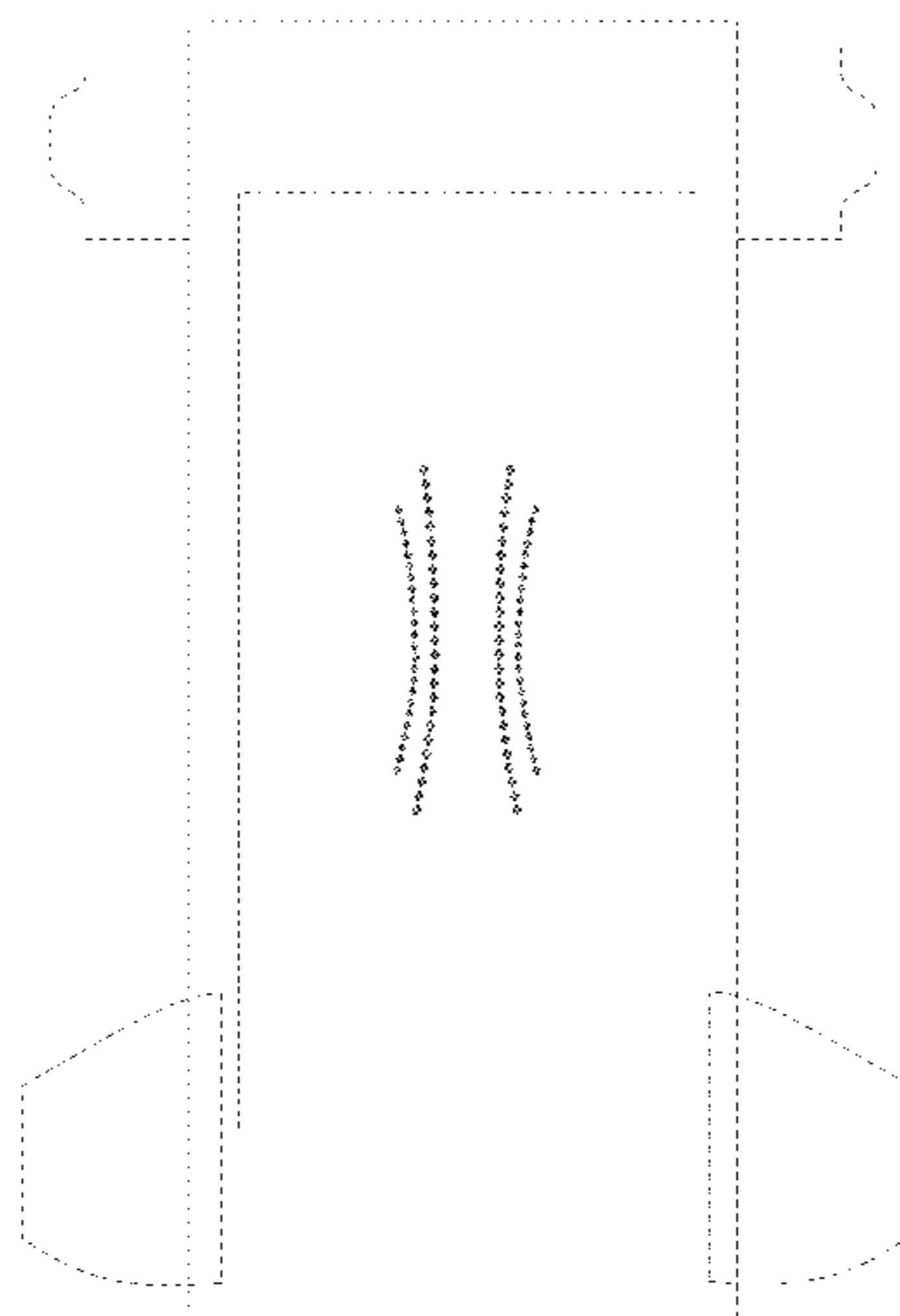
(57) **CLAIM**

The ornamental design for an absorbent article substrate with a pattern, as shown and described.

**DESCRIPTION**

FIG. 1 is a front view of an absorbent article substrate with a pattern;  
FIG. 2 is a another front view of an absorbent article substrate with a pattern;  
FIG. 3 is a rear view of the absorbent article substrate with a pattern shown in each of FIGS. 1 and 2;  
FIG. 4 is a top end view of the absorbent article substrate with a pattern shown in each of FIGS. 1 and 2;  
FIG. 5 is a left side view of the absorbent article substrate with a pattern shown in each of FIGS. 1 and 2;  
FIG. 6 is a right side view of the absorbent article substrate with a pattern shown in each of FIGS. 1 and 2; and,  
FIG. 7 is a bottom end view of the absorbent article substrate with a pattern shown in each of FIGS. 1 and 2.  
The broken lines, including those showing the diaper tabs and ears, are included for the purpose of illustrating environment and form no part of the claimed design.

**1 Claim, 4 Drawing Sheets**



(56)

References Cited

U.S. PATENT DOCUMENTS

D624,179 S *	9/2010	Baquer Molas	.....	D24/126	D693,922 S *	11/2013	Frias	.....	D24/126
D645,144 S *	9/2011	Mason	.....	D24/126	D695,895 S *	12/2013	Mason	.....	D24/126
D646,381 S	10/2011	Casini et al.			D699,346 S *	2/2014	McElroy	.....	D24/126
D676,132 S *	2/2013	Cutshaw	.....	D24/126	D715,923 S *	10/2014	Cardin	.....	D24/125
D681,809 S *	5/2013	Cutshaw	.....	D24/126	D721,804 S *	1/2015	Cutshaw	.....	D24/126
D686,318 S *	7/2013	Mason	.....	D24/126	D722,159 S *	2/2015	Cutshaw	.....	D24/126
D686,320 S *	7/2013	Hawes	.....	D24/126	D738,493 S *	9/2015	Cardin	.....	D24/125
D691,715 S *	10/2013	Mason	.....	D24/126	D744,642 S *	12/2015	Bergstedt	.....	D24/126
					D754,335 S *	4/2016	Bova	.....	D24/125
					2005/0217791 A1	10/2005	Costello et al.		

\* cited by examiner

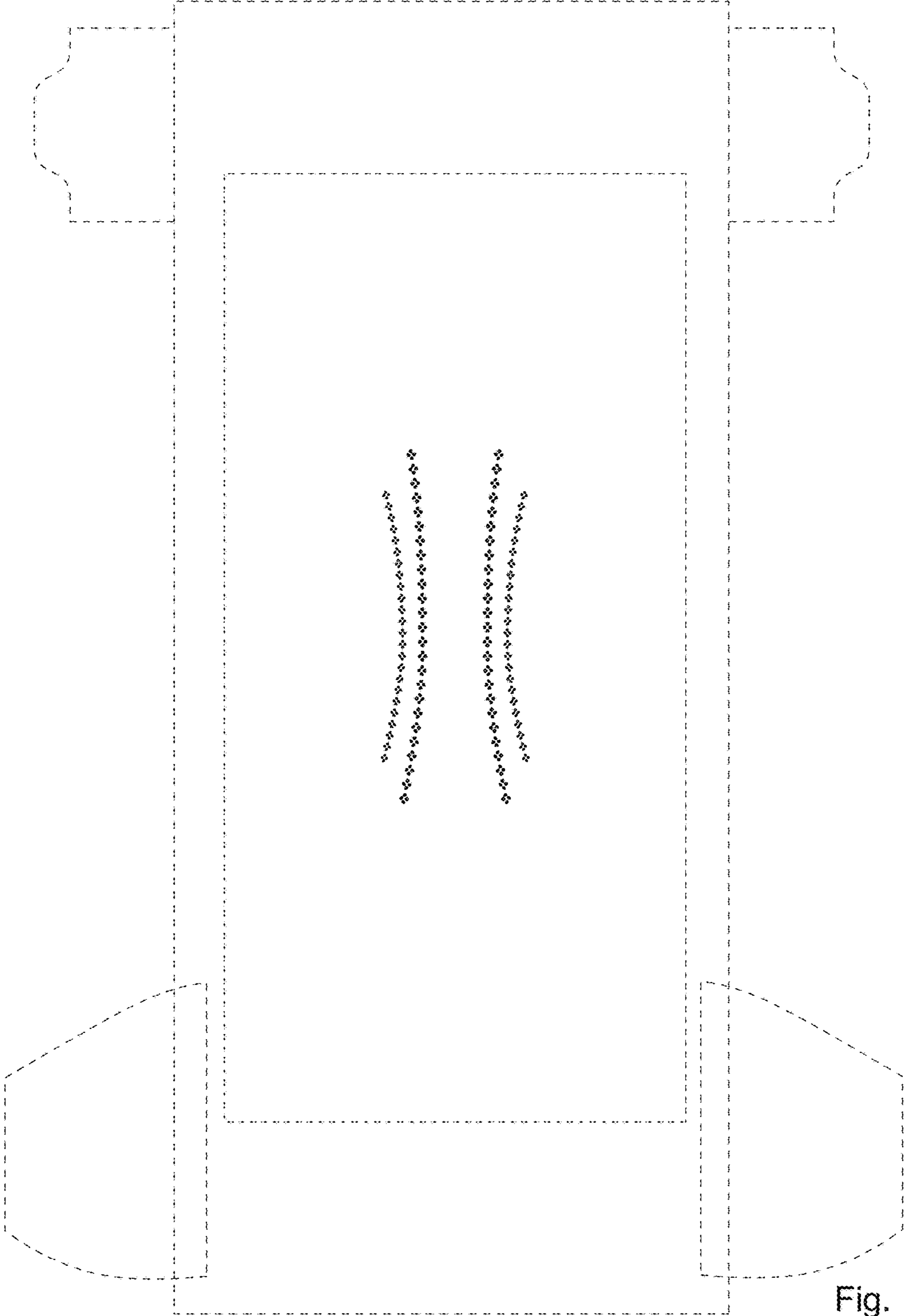


Fig. 1

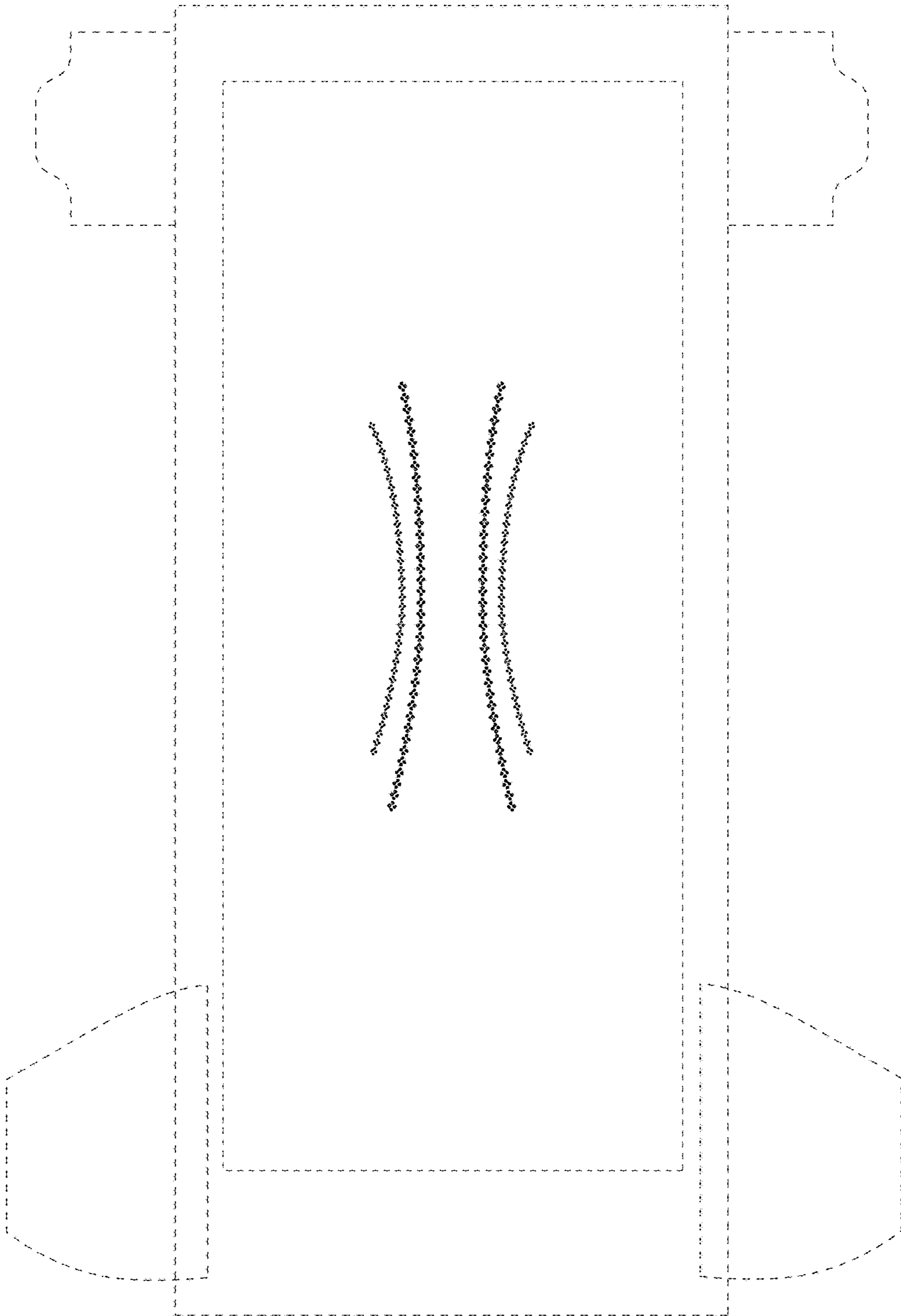


Fig. 2

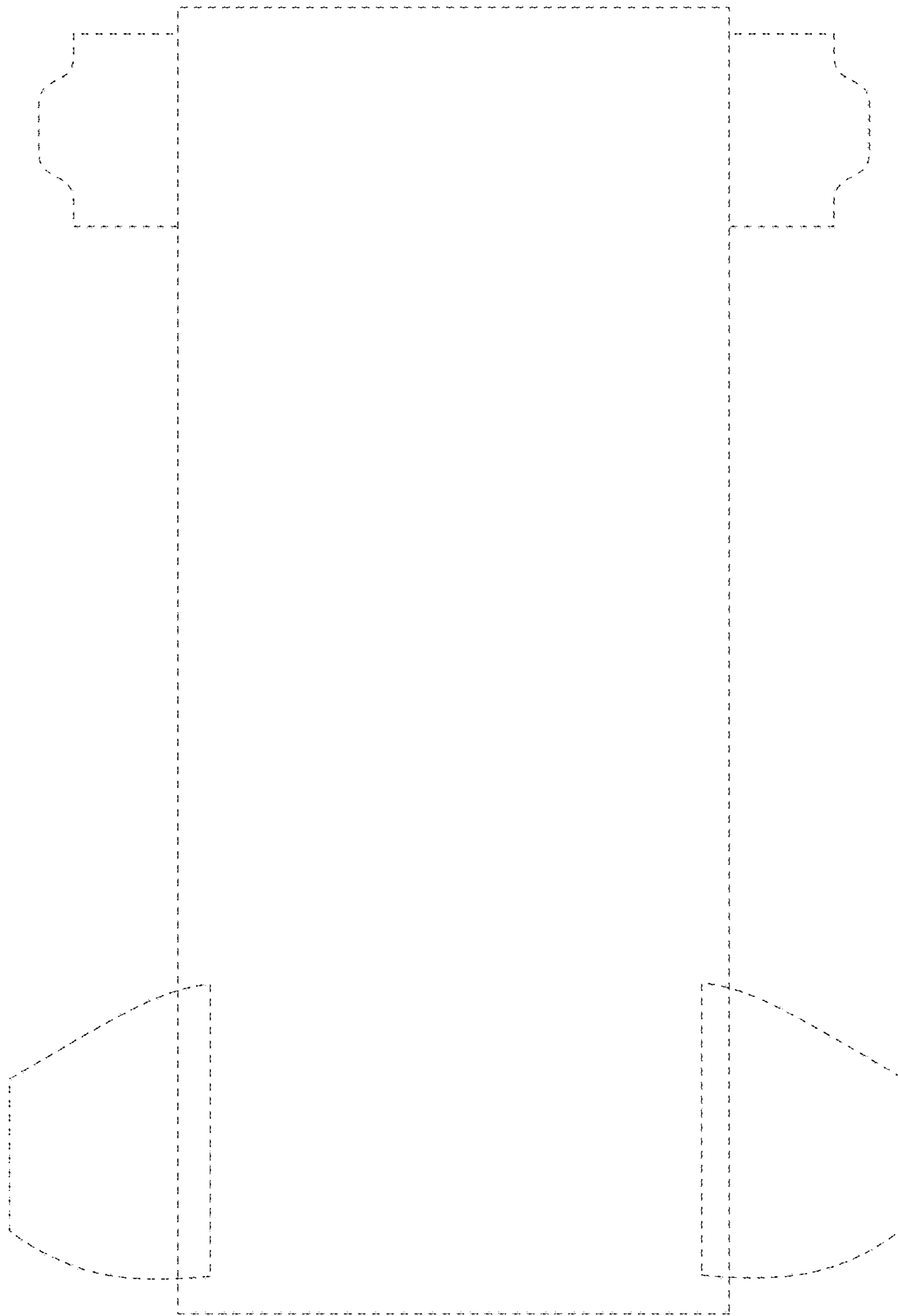


Fig. 3

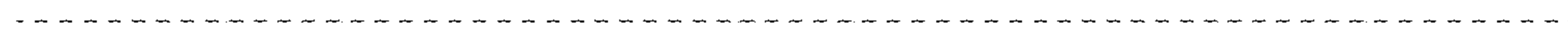


Fig. 4



Fig. 5

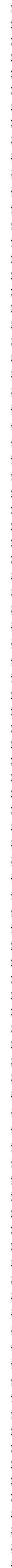


Fig. 6



Fig. 7