



US00D773038S

(12) **United States Design Patent** (10) **Patent No.:** **US D773,038 S**
Tanner et al. (45) **Date of Patent:** **** Nov. 29, 2016**

(54) **SELF INJECTION PEN DEVICE**
(71) Applicant: **Wockhardt Limited**, Mumbai (IN)
(72) Inventors: **Marc Tanner**, London (GB); **Marko Plevnik**, London (GB); **Maartje Pel**, Leamington Spa (GB); **Umesh Joshi**, Aurangabad (IN); **Ashok Tyagi**, Aurangabad (IN)
(73) Assignee: **WOCKHARDT LIMITED**, Bandra East, Mumbai (IN)
(**) Term: **14 Years**
(21) Appl. No.: **29/499,117**
(22) Filed: **Aug. 12, 2014**
(30) **Foreign Application Priority Data**
May 27, 2014 (IN) 262906
(51) **LOC (10) Cl.** **24-02**
(52) **U.S. Cl.**
USPC **D24/113**
(58) **Field of Classification Search**
USPC D24/112-114, 127-131, 133, 186;
606/181, 185; 604/264, 272, 115, 232,
604/187, 158, 164.08, 192, 263, 163, 181,
604/184, 198, 227; 600/101, 139, 143;
128/200.24, 207.14, 207.15;
D19/115-123, 177
CPC A61M 5/3156; A61M 5/31591; A61M
5/3155; A61M 5/3157; A61M 5/24; A61M
5/31501; A61M 5/31551; A61M 5/3185;
A61M 2005/2407; A61M 2005/2492; A61M
2205/581; A61M 2005/582
See application file for complete search history.

(56) **References Cited**
U.S. PATENT DOCUMENTS
D462,760 S * 9/2002 Ahlgrim D24/112
D479,601 S * 9/2003 Tyce D19/164

D479,603 S * 9/2003 Tyce D19/164
D479,747 S * 9/2003 Bainton D19/164
D676,548 S * 2/2013 Pala D24/113
D688,790 S * 8/2013 Guarraia D24/113
D688,791 S * 8/2013 Guarraia D24/113
8,663,174 B2 * 3/2014 Zaiken A61M 5/3202
604/110
9,155,842 B2 * 10/2015 Matthias A61M 5/31525
2015/0032059 A1 * 1/2015 Allerdings G06F 19/3468
604/189
2015/0112277 A1 * 4/2015 Groeschke A61M 5/24
604/218
2015/0202371 A1 * 7/2015 Avery A61M 5/24
604/207
2015/0202377 A1 * 7/2015 Haupt A61M 5/24
604/207

* cited by examiner

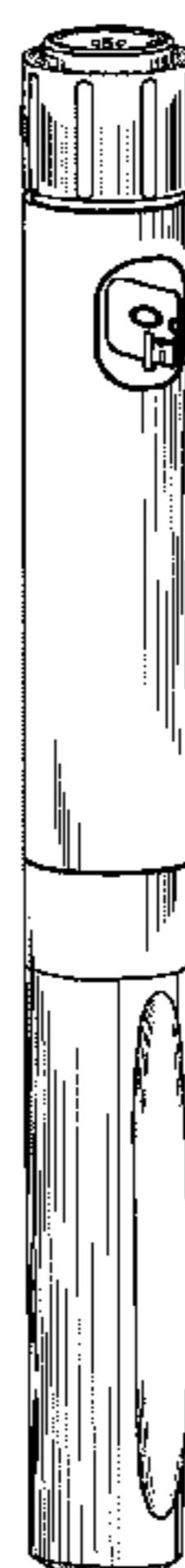
Primary Examiner — David Muller
Assistant Examiner — Nathan Johnston
(74) *Attorney, Agent, or Firm* — Bio Intellectual Property Service LLC (Bio IPS); O. (Sam) Zaghmout

(57) **CLAIM**
The ornamental design for a self injection pen device, as shown and described.

DESCRIPTION

FIG. 1. is a perspective view of self injection pen device;
FIG. 2. is a rear top view of FIG. 1;
FIG. 3. is a rear view of FIG. 1;
FIG. 4. is a left side view of FIG. 1;
FIG. 5. is a right side view of FIG. 1;
FIG. 6. is a front view of FIG. 1;
FIG. 7. is a front view of FIG. 8; and,
FIG. 8. is a perspective view of FIG. 1 at an angle.
The design is to be applied to a self injection pen device and the novelty resides in the features of shape and/or configuration of the self injection pen device as shown in the accompanying representations.
The broken line showing of self injection pen device is included for the purpose of illustrating portions of the “article” and forms no part of the claimed design.

1 Claim, 8 Drawing Sheets



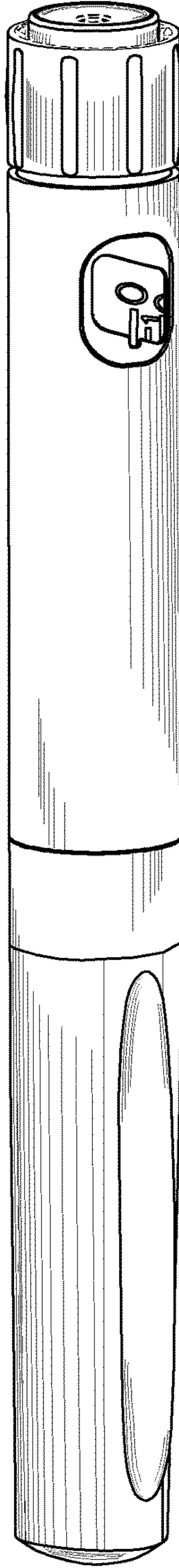


FIG. 1

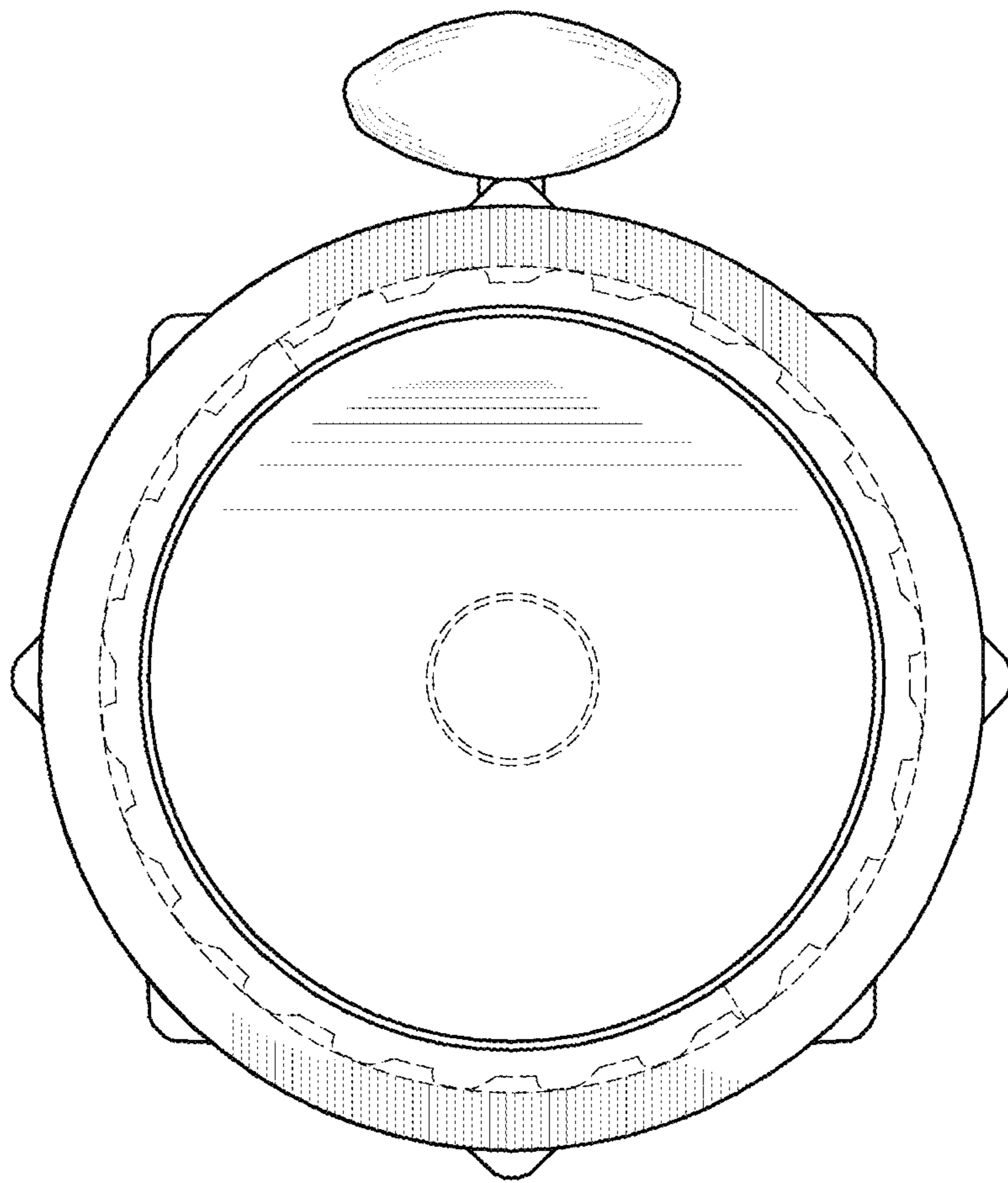


FIG. 2

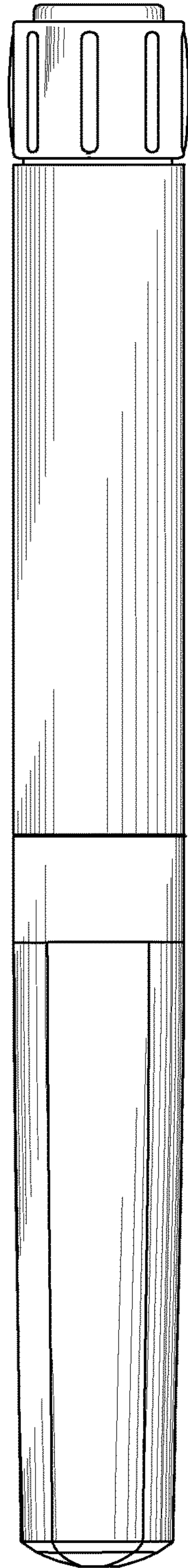


FIG. 3

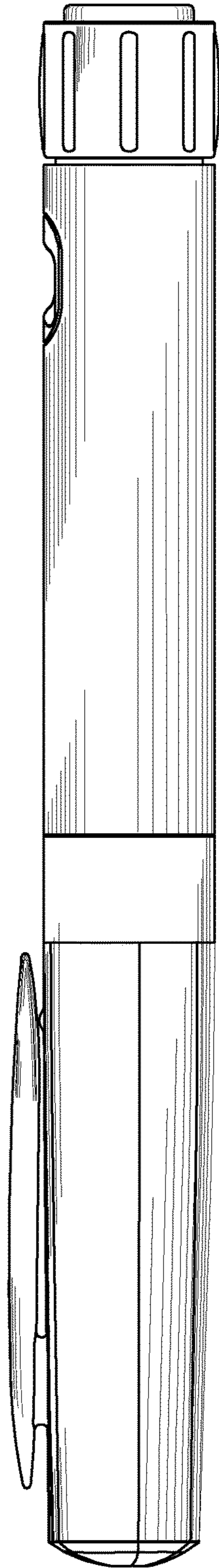


FIG.4

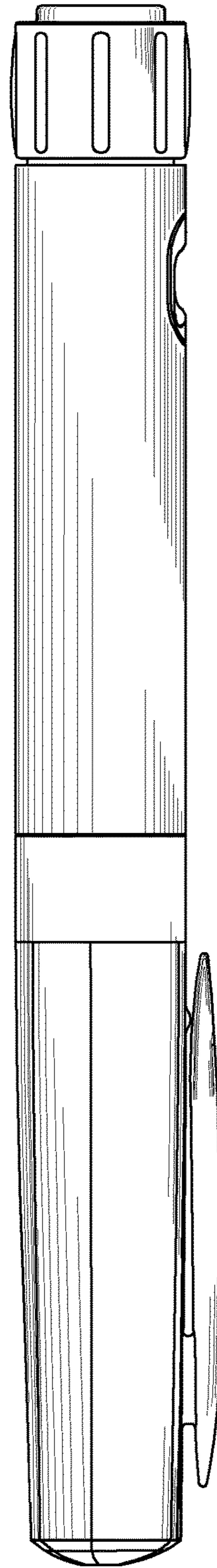


FIG. 5

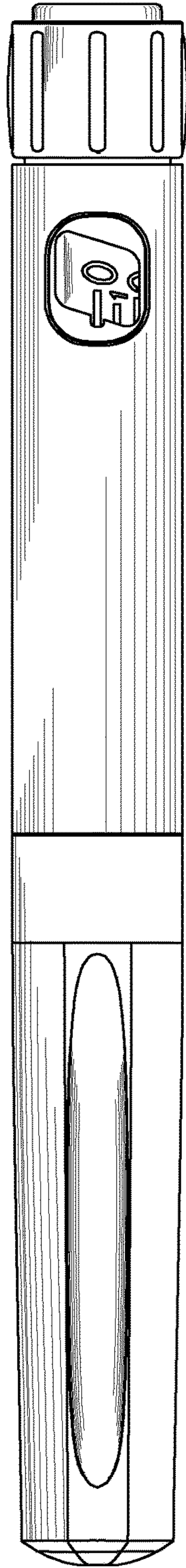


FIG. 6

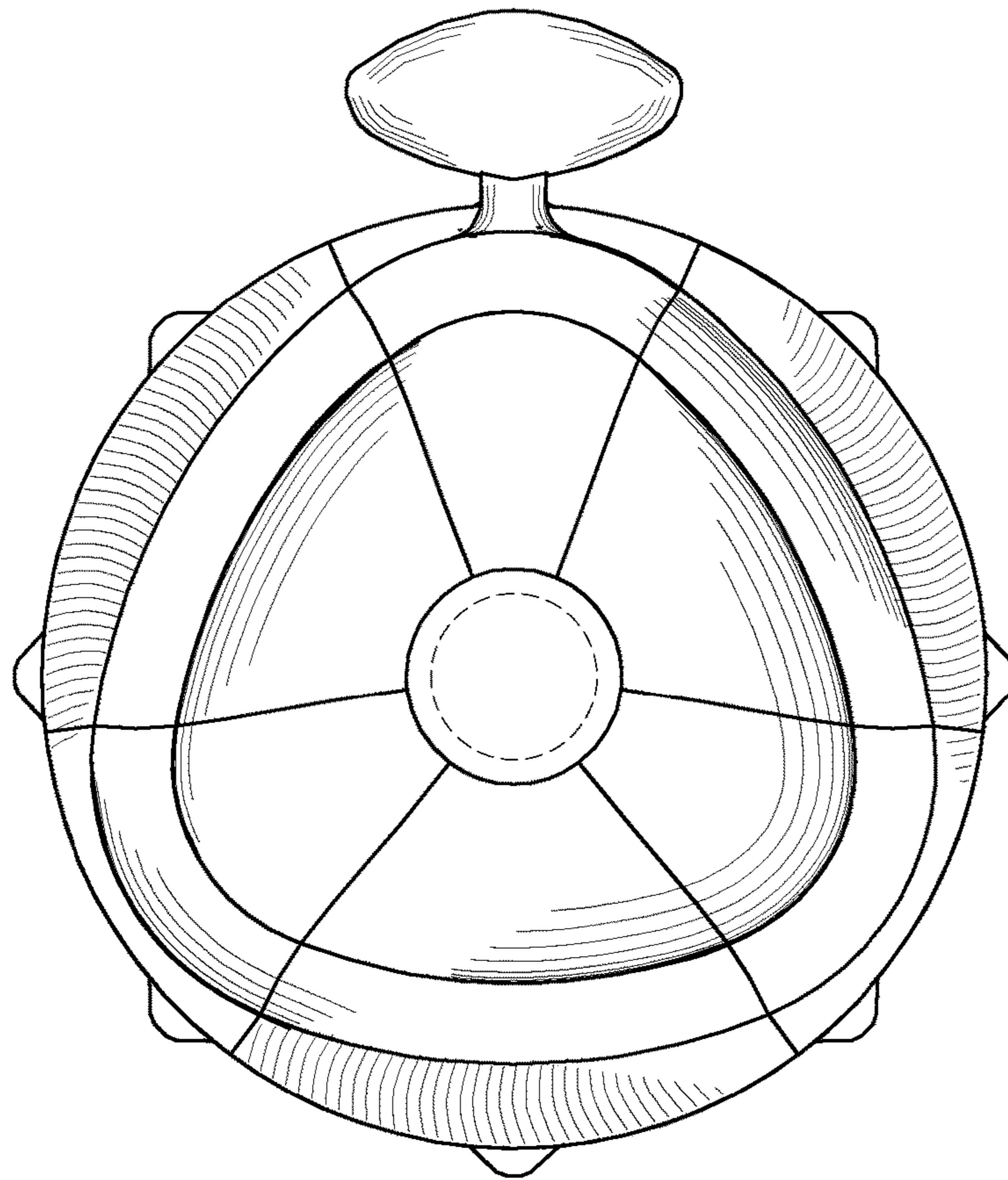


FIG. 7

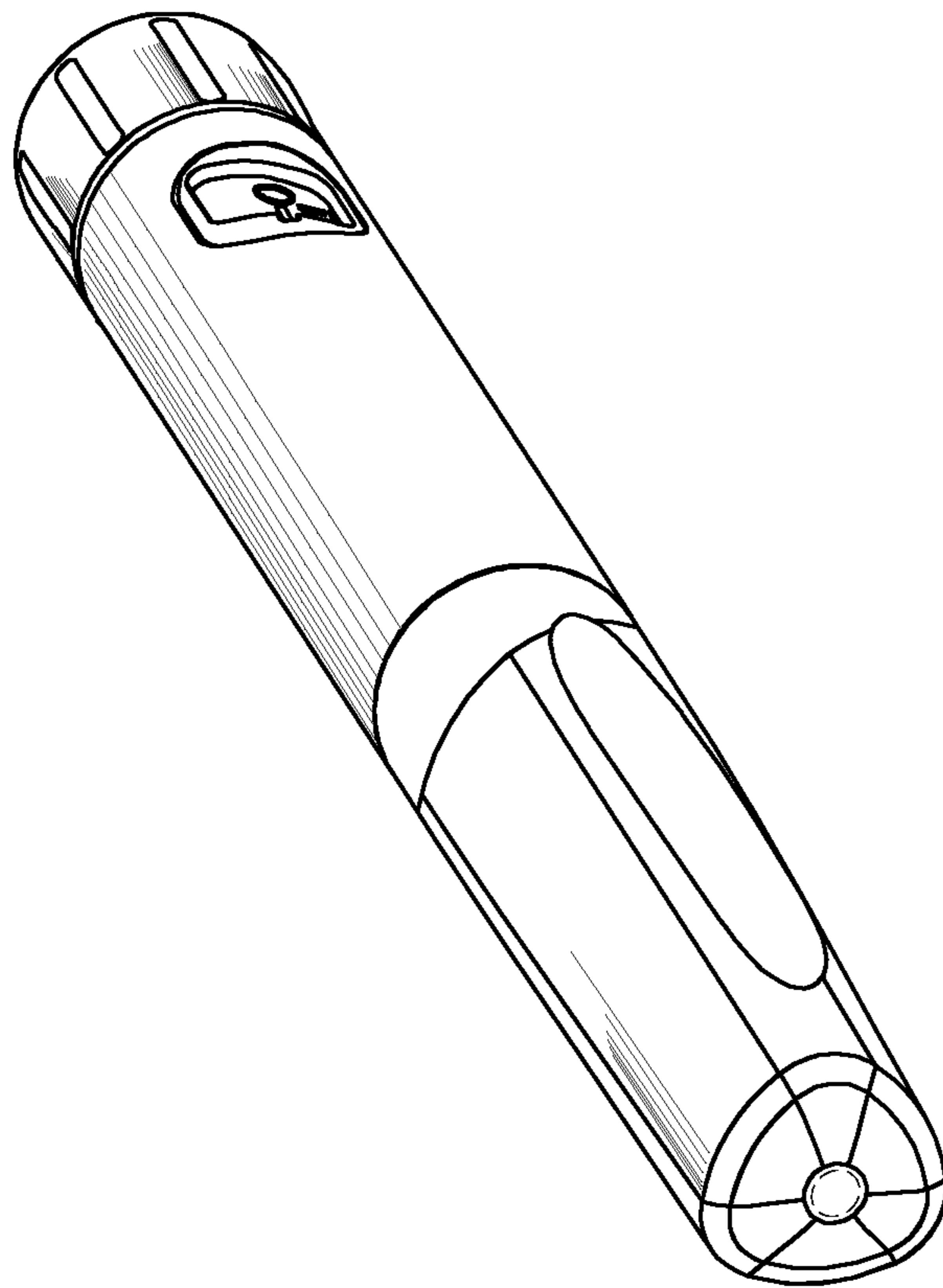


FIG.8