



US00D773037S

(12) **United States Design Patent**
Mollstam et al.

(10) **Patent No.:** **US D773,037 S**

(45) **Date of Patent:** **** Nov. 29, 2016**

(54) **CASSETTE FOR A PERISTALTIC PUMP**

4,599,055 A 7/1986 Dykstra
4,925,376 A 5/1990 Kahler
5,282,787 A 2/1994 Wortrich

(71) Applicant: **Medical Vision AB**, Nacka (SE)

(Continued)

(72) Inventors: **Anders Mollstam**, Saltsjo (SE); **Sven Milton**, Vikingstad (SE); **Paolo Canzio Massarutti**, Brescia (IT)

FOREIGN PATENT DOCUMENTS

(73) Assignee: **Medical Vision AB**, Nacka (SE)

WO 2009/123547 A1 10/2009

(**) Term: **14 Years**

Primary Examiner — Wan Laymon

(21) Appl. No.: **29/496,342**

(74) *Attorney, Agent, or Firm* — Renner, Otto, Boisselle & Sklar, LLP

(22) Filed: **Jul. 11, 2014**

(57) **CLAIM**

The ornamental design for the cassette for a peristaltic pump, as shown and described.

DESCRIPTION

Related U.S. Application Data

(63) Continuation of application No. 29/395,377, filed on Jan. 11, 2012, now abandoned, which is a continuation-in-part of application No. 29/349,797, filed on May 3, 2010, now abandoned.

(51) **LOC (10) Cl.** **24-02**

(52) **U.S. Cl.**
USPC **D24/111**

(58) **Field of Classification Search**
USPC D24/108, 111, 128; 128/DIG. 12
CPC F04B 43/1253; F04B 43/1246; F04B 43/12;
F04B 43/1261; F04B 43/1269; F04B
43/1276; F04B 43/1284; F04B 43/1292;
G01N 21/031; A61M 1/1037; A61M 1/1039;
A61M 1/1041; A61M 5/14232
See application file for complete search history.

FIG. 1 is a perspective view of an embodiment of a cassette for a peristaltic pump.

FIG. 2 is a side view thereof taken from the left of FIG. 1. FIG. 3 is a front view thereof of the cassette for a peristaltic pump of FIG. 1.

FIG. 4 is a side view thereof taken from the right of FIG. 1. FIG. 5 is a rear view thereof of the cassette for a peristaltic pump of FIG. 1.

FIG. 6 is a top view thereof of the cassette for a peristaltic pump of FIG. 1.

FIG. 7 is a reduced perspective view of the cassette for a peristaltic pump of FIG. 1; and,

FIG. 8 is a bottom view thereof of the cassette for a peristaltic pump of FIG. 1.

The broken line showings in the figures are included for the purpose of illustrating portions of the cassette for a peristaltic pump and forms no part of the claimed design.

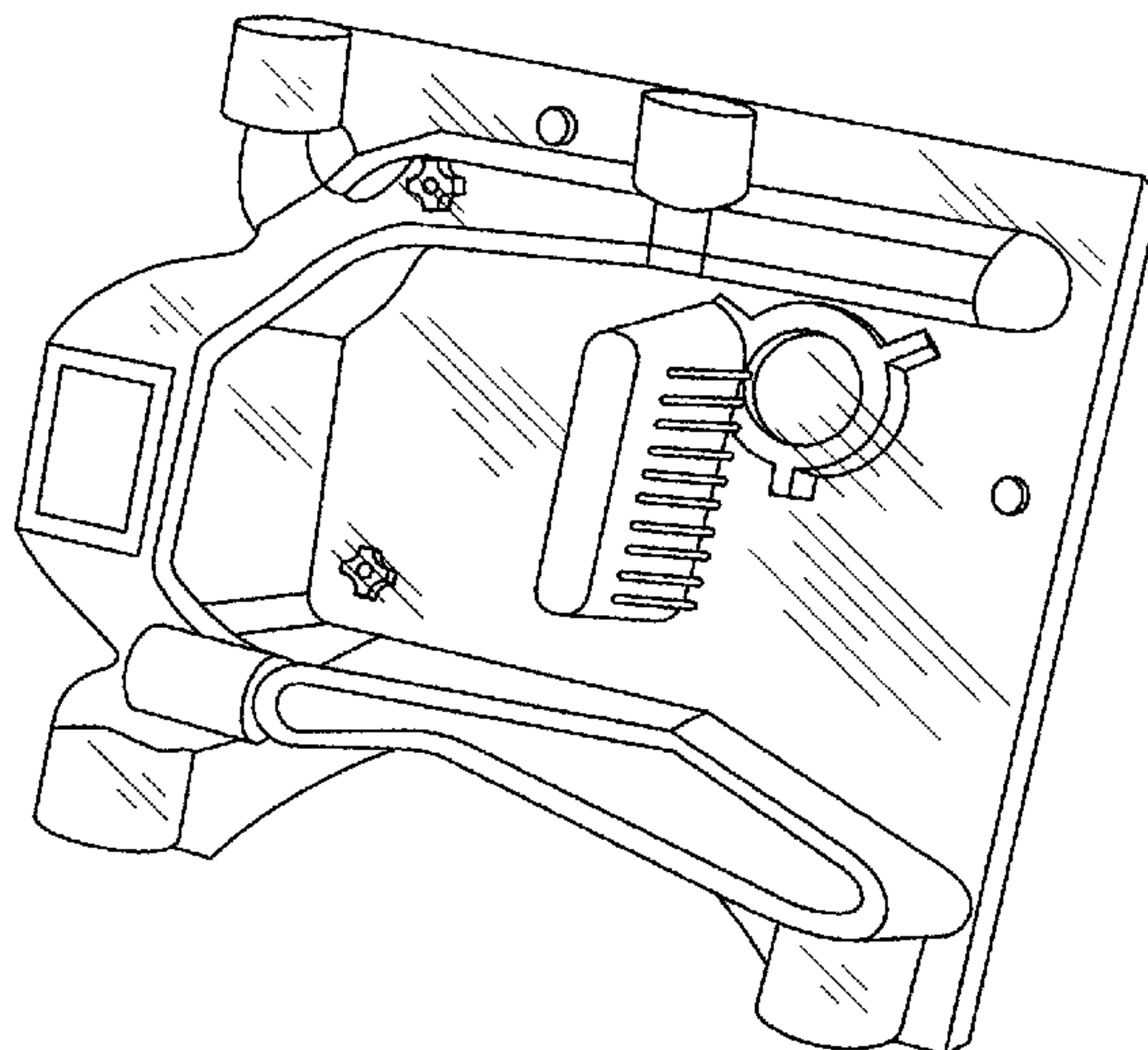
The nature of this product is as a cassette with tubing for a volumetric peristaltic pump for allowing optical measurement in the cassette. Optical measurement is of cuvette contents of biological material in an irrigation fluid. There are input ports for liquid and wastes from an endoscopic surgical procedure.

(56) **References Cited**

U.S. PATENT DOCUMENTS

3,137,240 A 6/1964 Hunt
D264,134 S 4/1982 Xanthopoulos
4,519,754 A 5/1985 Minick
4,537,561 A 8/1985 Xanthopoulos
4,558,996 A 12/1985 Becker

1 Claim, 6 Drawing Sheets



(56)

References Cited

U.S. PATENT DOCUMENTS

5,655,897 A	8/1997	Neffel et al.		D600,792 S	9/2009	Eubanks et al.	
5,846,061 A	12/1998	Ledebuhr et al.		7,874,819 B2	1/2011	North	
6,319,223 B1	11/2001	Worrich et al.		7,918,657 B2 *	4/2011	Bobo	F04B 43/1253 384/548
6,468,059 B2	10/2002	Haser et al.		8,047,819 B2	11/2011	Lawrence et al.	
6,572,349 B2	6/2003	Sorensen et al.		D672,455 S	12/2012	Beck	
6,626,355 B2 *	9/2003	Sasse	F04B 43/1253 235/375	8,411,266 B2	4/2013	Milton et al.	
7,214,038 B2	5/2007	Saxer et al.		8,491,285 B2 *	7/2013	Haser	F04B 43/1253 417/477.2
7,284,964 B2 *	10/2007	McDowell	F04B 43/1253 417/477.1	D721,801 S *	1/2015	Mollstam	D24/111
D578,209 S	10/2008	Schurg et al.		D745,963 S *	12/2015	Mollstam	D24/111
7,547,200 B2	6/2009	O'Mahony et al.		2007/0217933 A1	9/2007	Haser et al.	
				2008/0085200 A1	4/2008	Michels et al.	
				2008/0213113 A1	9/2008	Lawrence et al.	
				2011/0051136 A1	3/2011	Milton et al.	

* cited by examiner

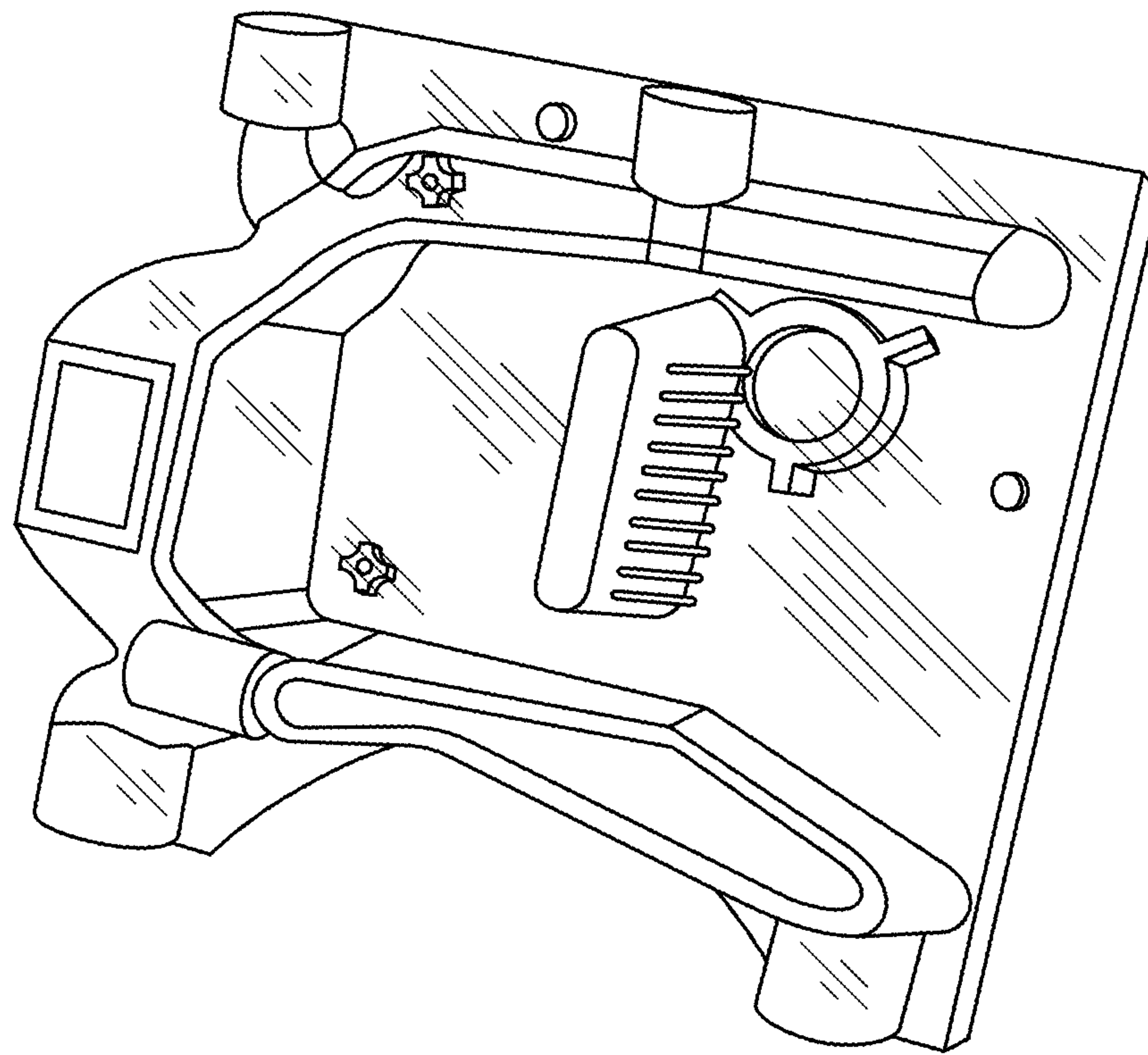


FIG. 1

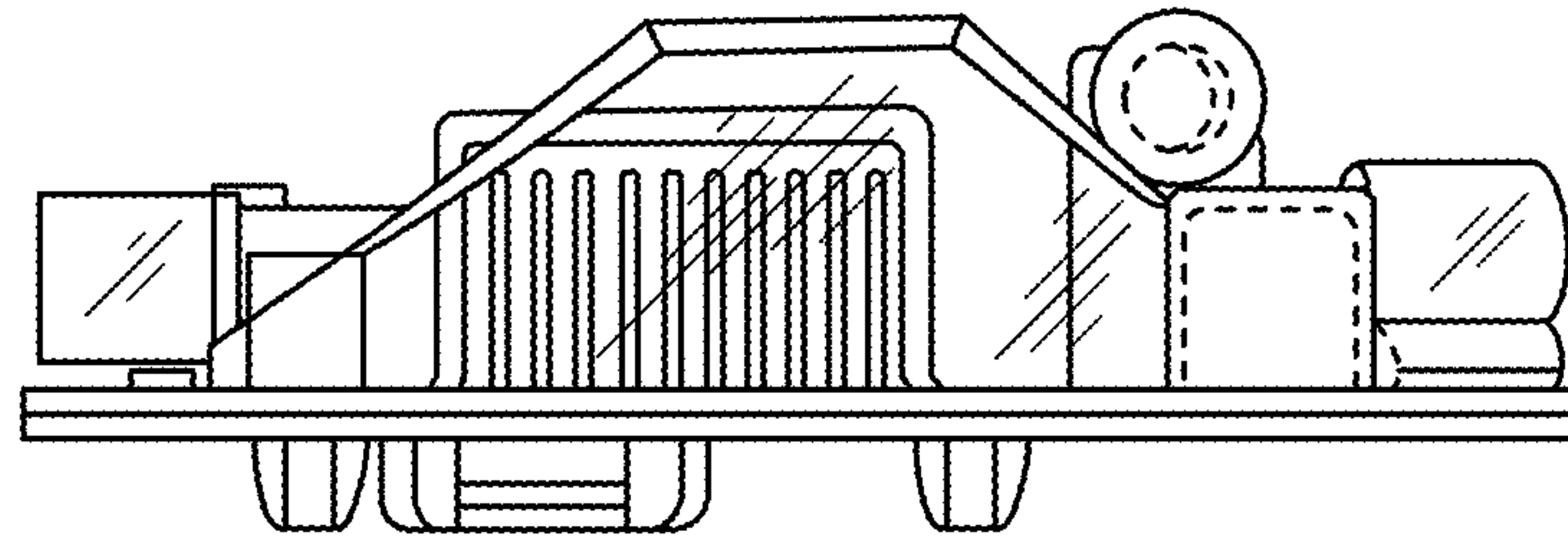


FIG. 2

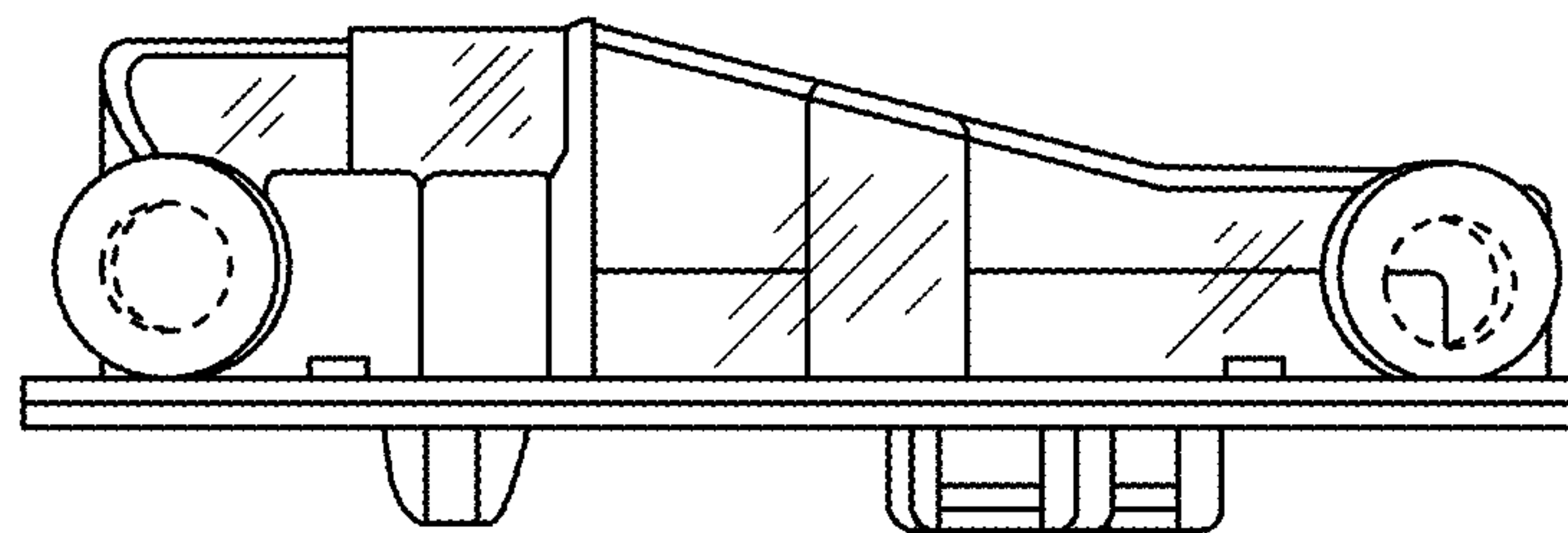


FIG. 3

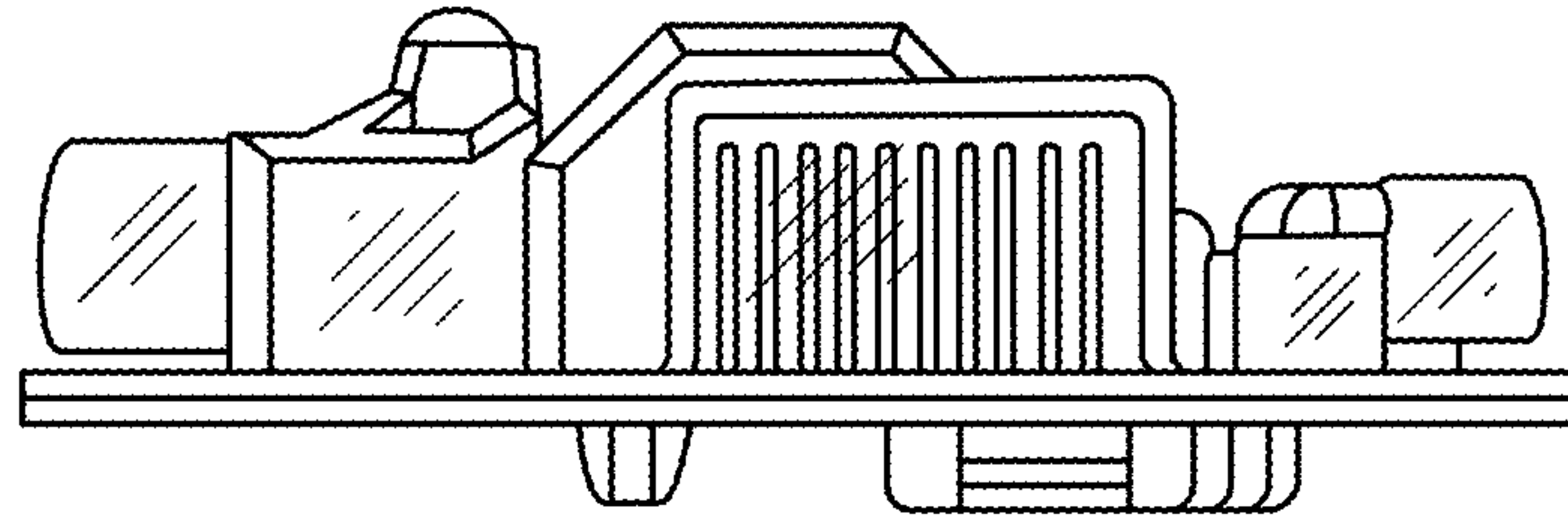


FIG. 4

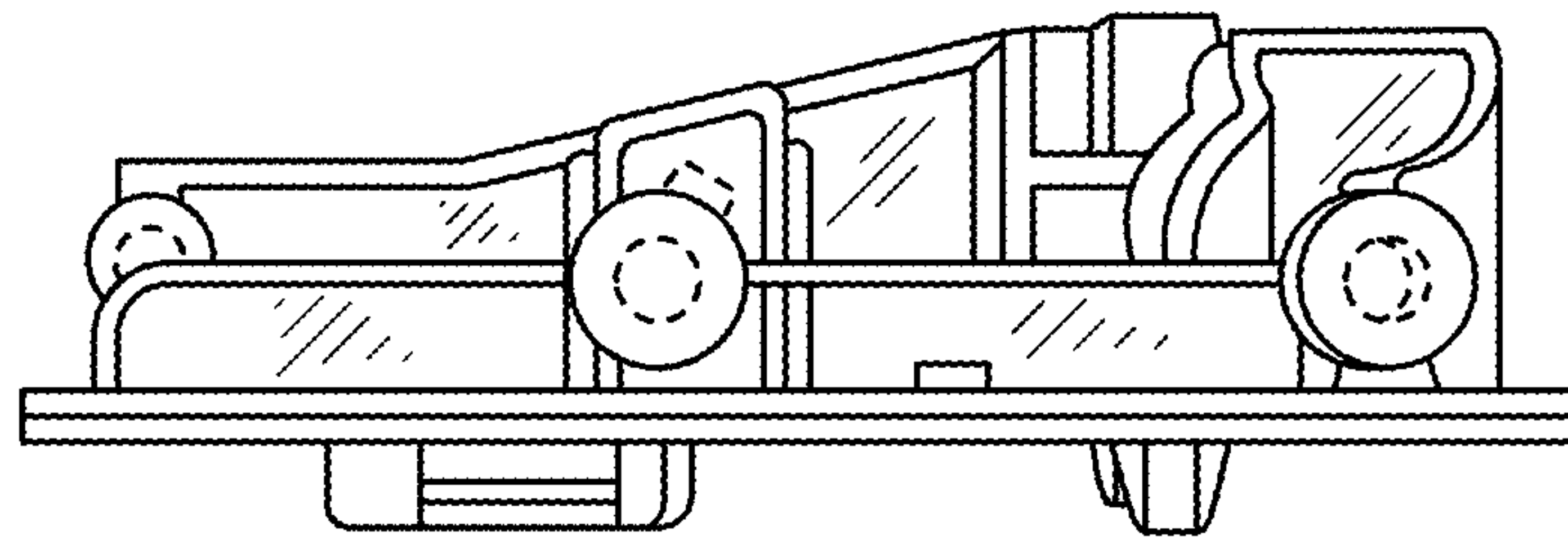


FIG. 5

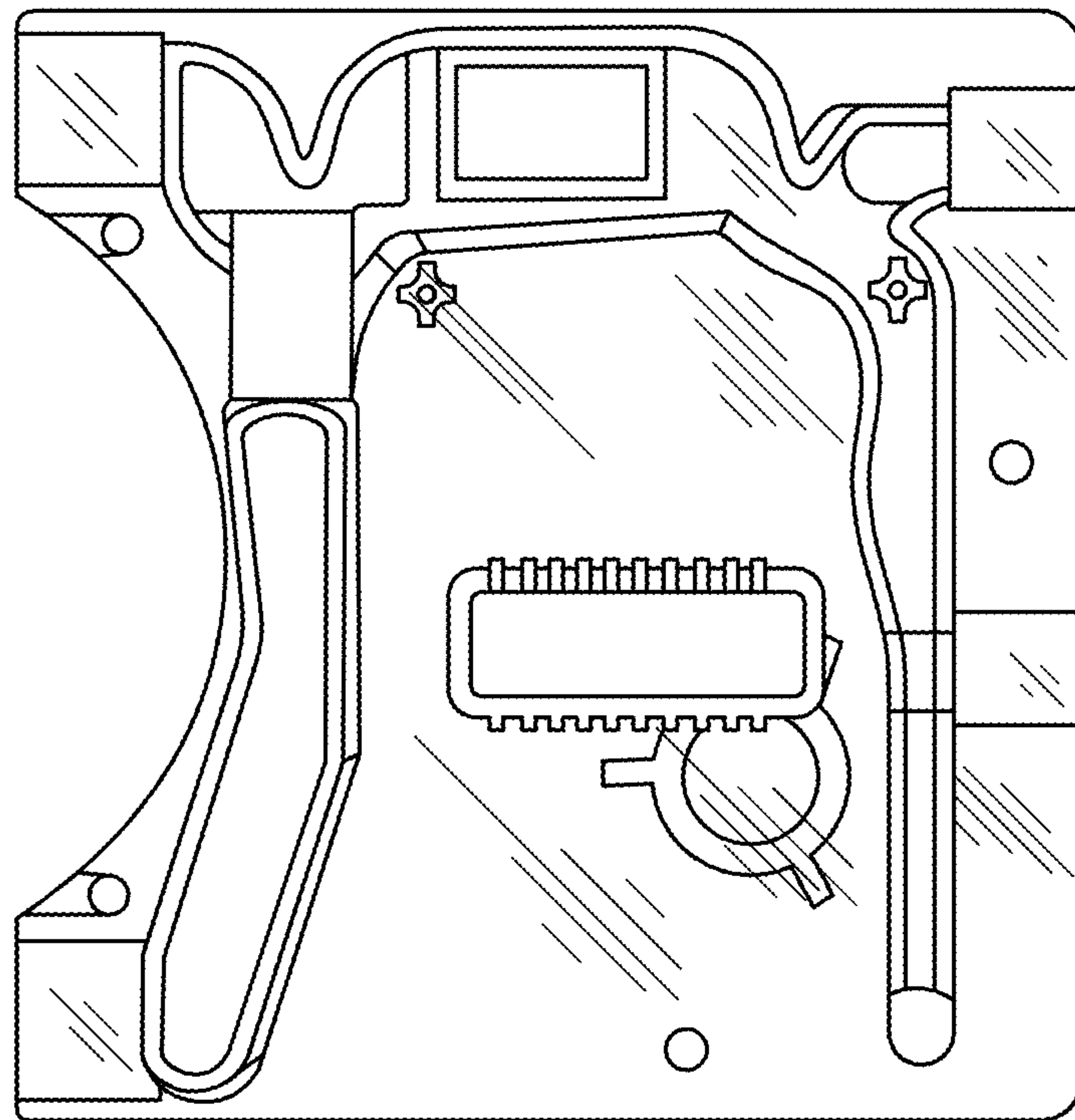


FIG. 6

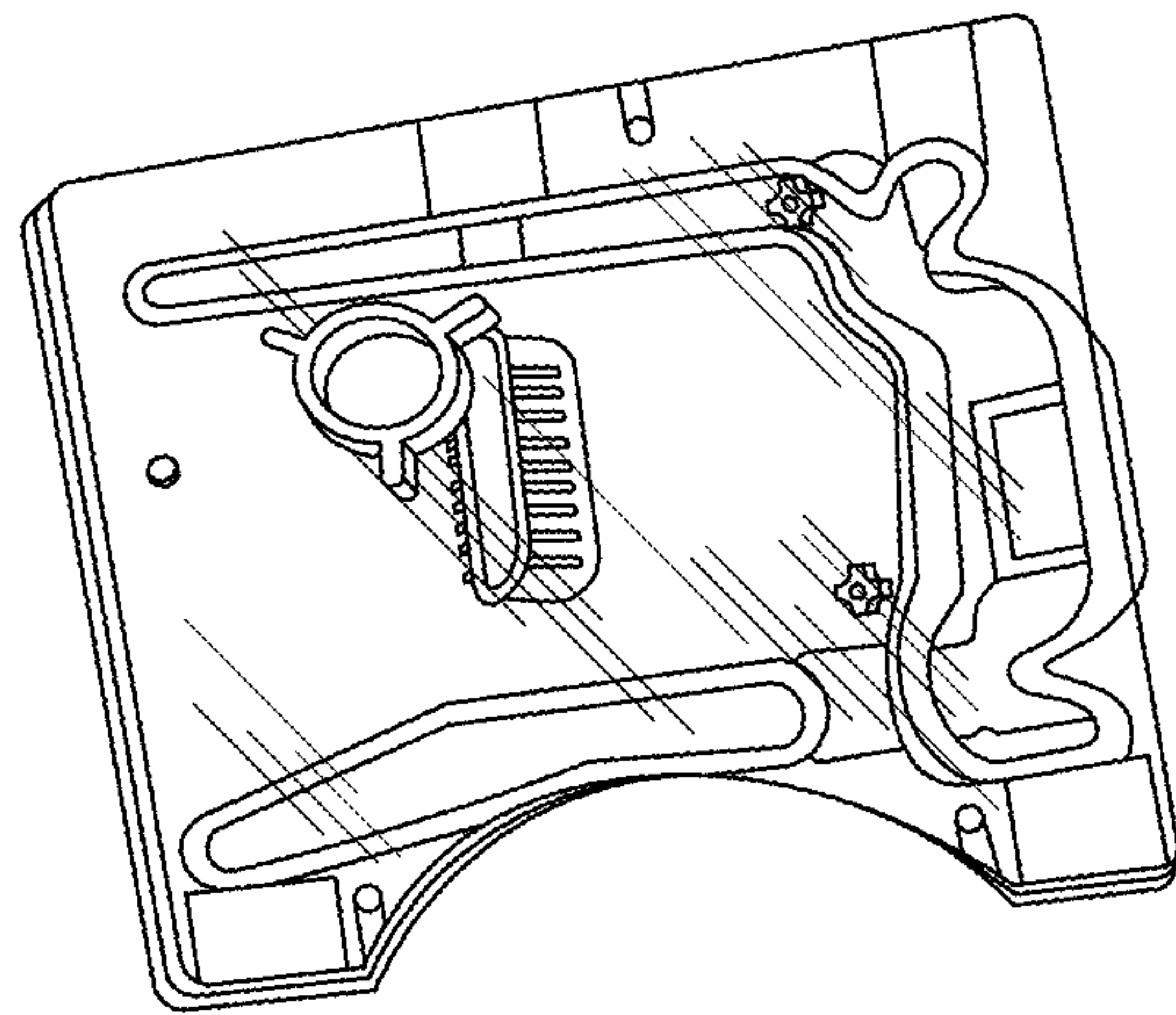


FIG. 7

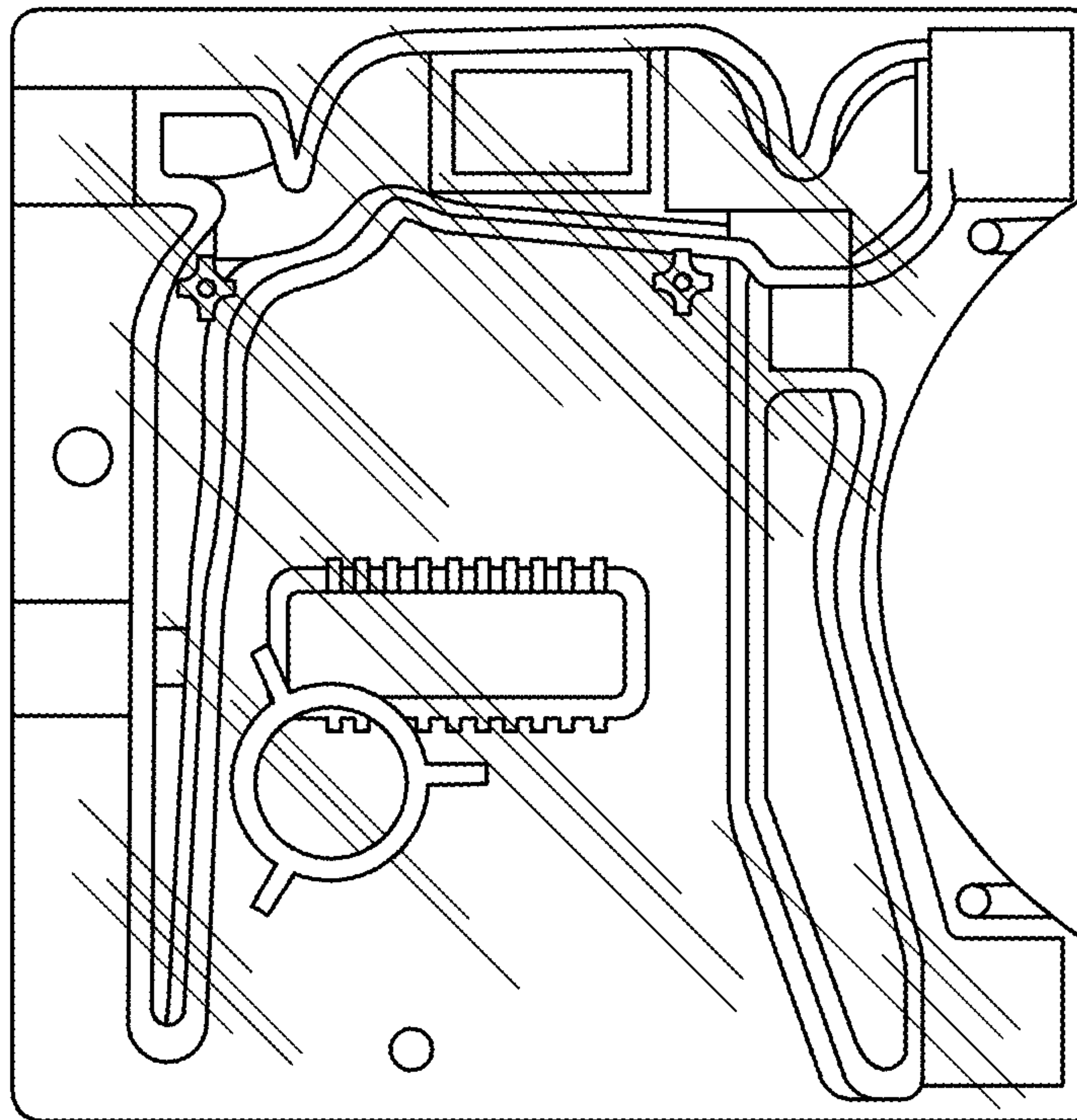


FIG. 8