



US00D773036S

(12) **United States Design Patent** (10) **Patent No.:** **US D773,036 S**
Thorgaard et al. (45) **Date of Patent:** **** Nov. 29, 2016**

(54) **OXYGEN MASK**

(56) **References Cited**

(71) Applicant: **REGION NORDJYLLAND, AALBORG**
UNIVERSITETSHOSPITAL, Aalborg (DK)

U.S. PATENT DOCUMENTS

D197,450 S *	2/1964	Grimm	D24/110.4
D197,451 S *	2/1964	Grimm	D24/110.4
D225,582 S *	12/1972	King	D24/110.4
D226,140 S *	1/1973	King	D24/110.4
D234,376 S *	2/1975	Goettelman	D24/110
D250,047 S *	10/1978	Lewis	128/205.25
D250,131 S *	10/1978	Lewis	128/206.28
D283,742 S *	5/1986	Hall	D24/110.4
D347,494 S *	5/1994	Mustelier, Jr.	D24/110.4
D351,226 S *	10/1994	Parvatharaj	D24/110
D354,128 S *	1/1995	Rinehart	D24/110.1
D355,484 S *	2/1995	Rinehart	D24/110.1
5,690,096 A *	11/1997	Burch	A61M 16/06 128/200.24
7,318,433 B2 *	1/2008	Cockerham	A61J 17/00 128/201.26
D695,888 S *	12/2013	Darab	D24/110.4
D726,303 S *	4/2015	Rollins, III	D24/110.1
9,308,152 B2 *	4/2016	David A.	A61J 17/00
2010/0057016 A1 *	3/2010	Dale	A61M 5/16881 604/250
2010/0133153 A1 *	6/2010	Beden	A61M 1/1037 210/85

(72) Inventors: **Per Thorgaard, Aalborg (DK); Pernille Woller Jensen, Hjørring (DK)**

(73) Assignee: **Region Nordjylland, Aalborg Universitetshospital (DK)**

(**) Term: **15 Years**

(21) Appl. No.: **35/500,153**

(22) Filed: **Sep. 2, 2015**

(80) **Hague Agreement Data**

Int. Filing Date: **Sep. 2, 2015**
Int. Reg. No.: **DM/087484**
Int. Reg. Date: **Sep. 2, 2015**
Int. Reg. Pub. Date: **Sep. 25, 2015**

(30) **Foreign Application Priority Data**

Mar. 2, 2015 (EM) 002644179

(51) **LOC (10) Cl.** **29-02**

(52) **U.S. Cl.**
USPC **D24/110.1**
CPC **A62B 18/02 (2013.01)**

(58) **Field of Classification Search**
USPC 128/206.21-207.18; D24/110-110.6
CPC A61M 16/0616; A61M 16/0633;
A61M 16/06; A61M 16/0666; A61M
16/0683

See application file for complete search history.

* cited by examiner

Primary Examiner — Richard E Chilcot
(74) *Attorney, Agent, or Firm* — Buchalter Nemer

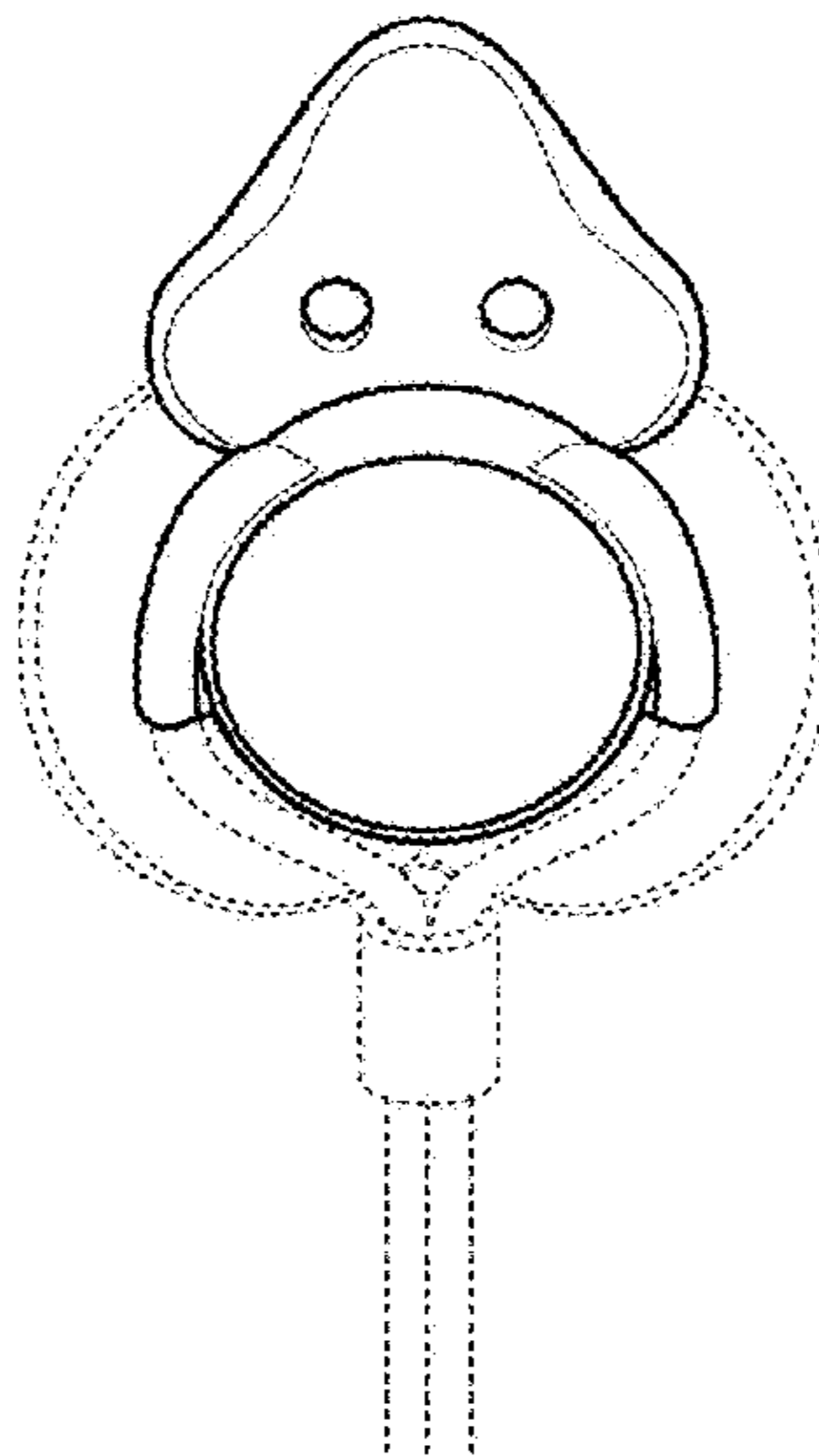
(57) **CLAIM**

The ornamental design for an oxygen mask, as shown and described.

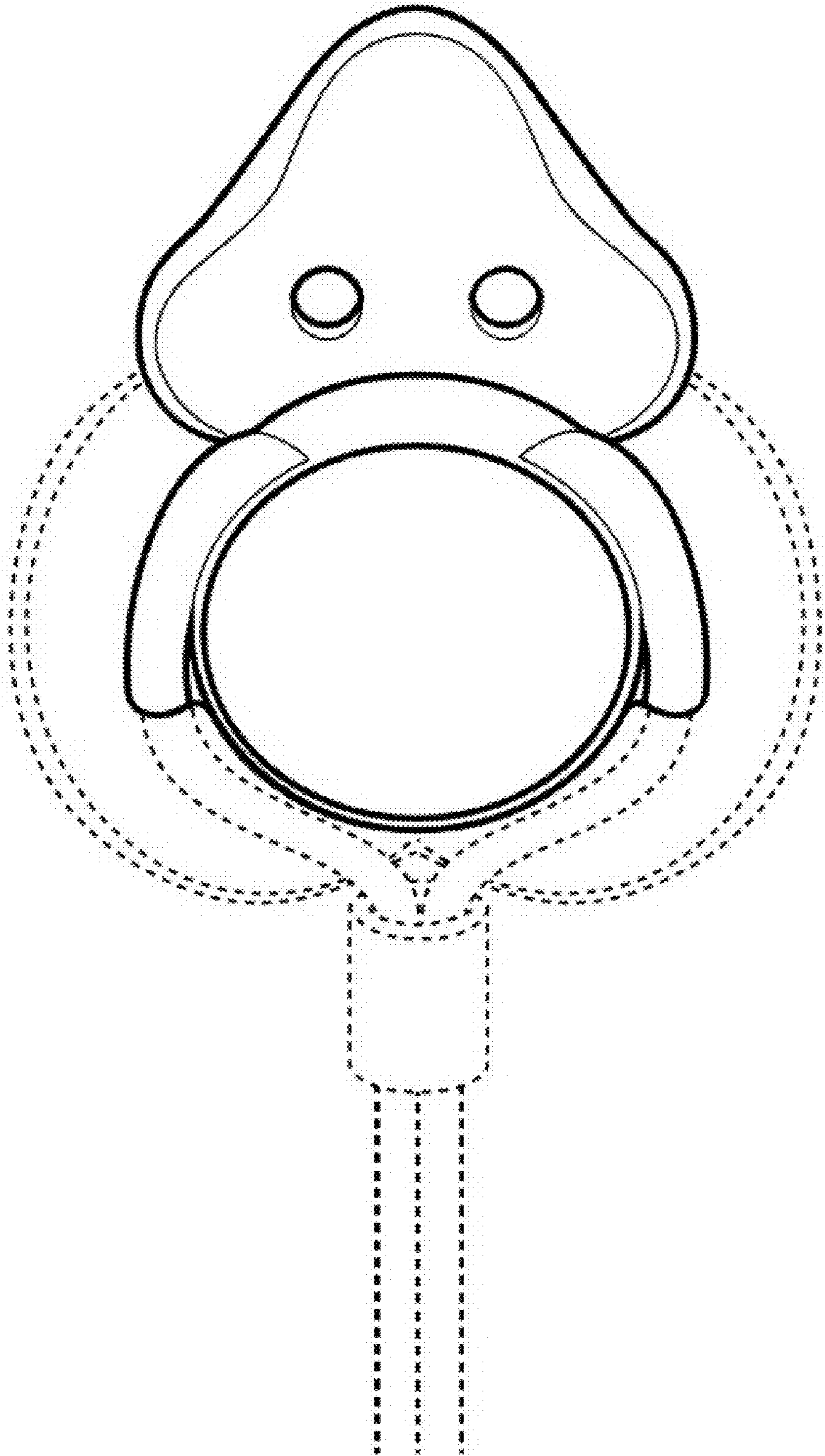
DESCRIPTION

- 1. Oxygen mask
- 1.1 : Front
- 1.2 : Right
- 1.3 : Top
- 1.4 : Bottom
- 1.5 : Perspective

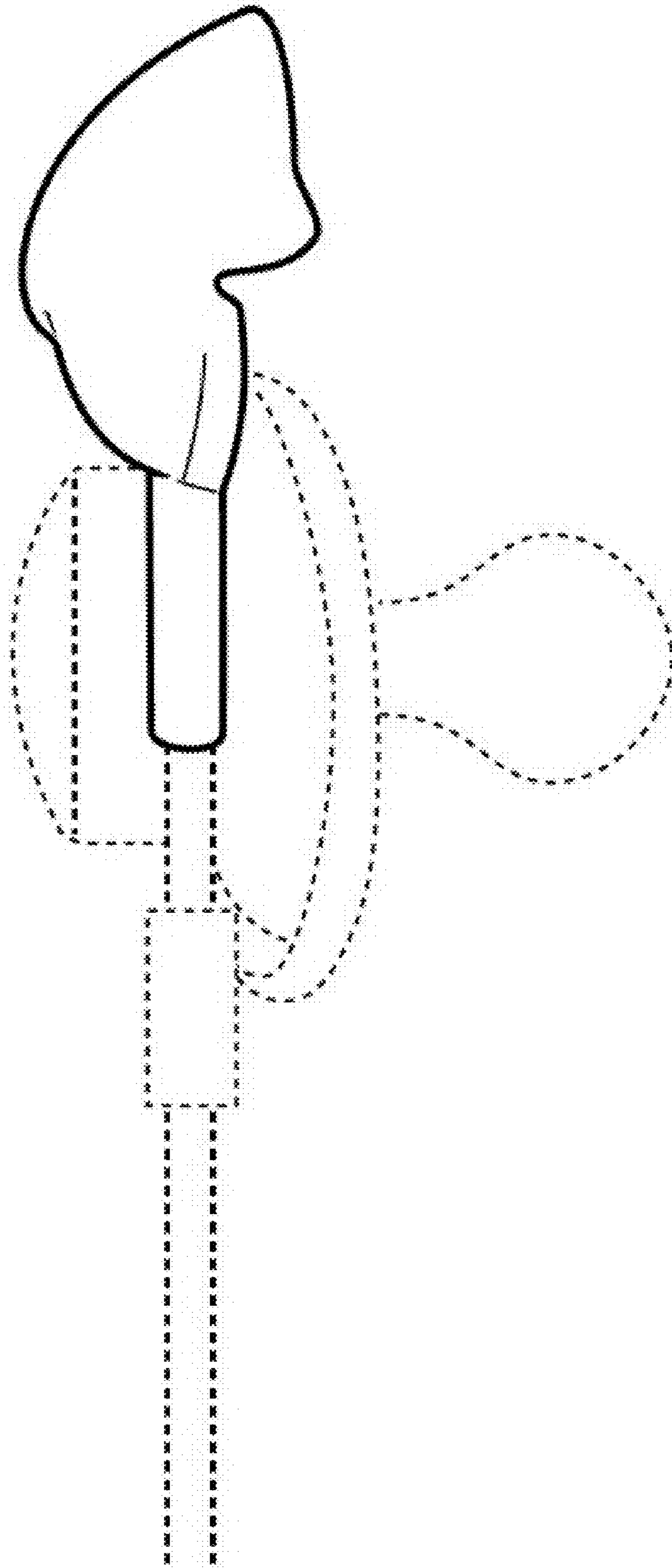
1 Claim, 5 Drawing Sheets



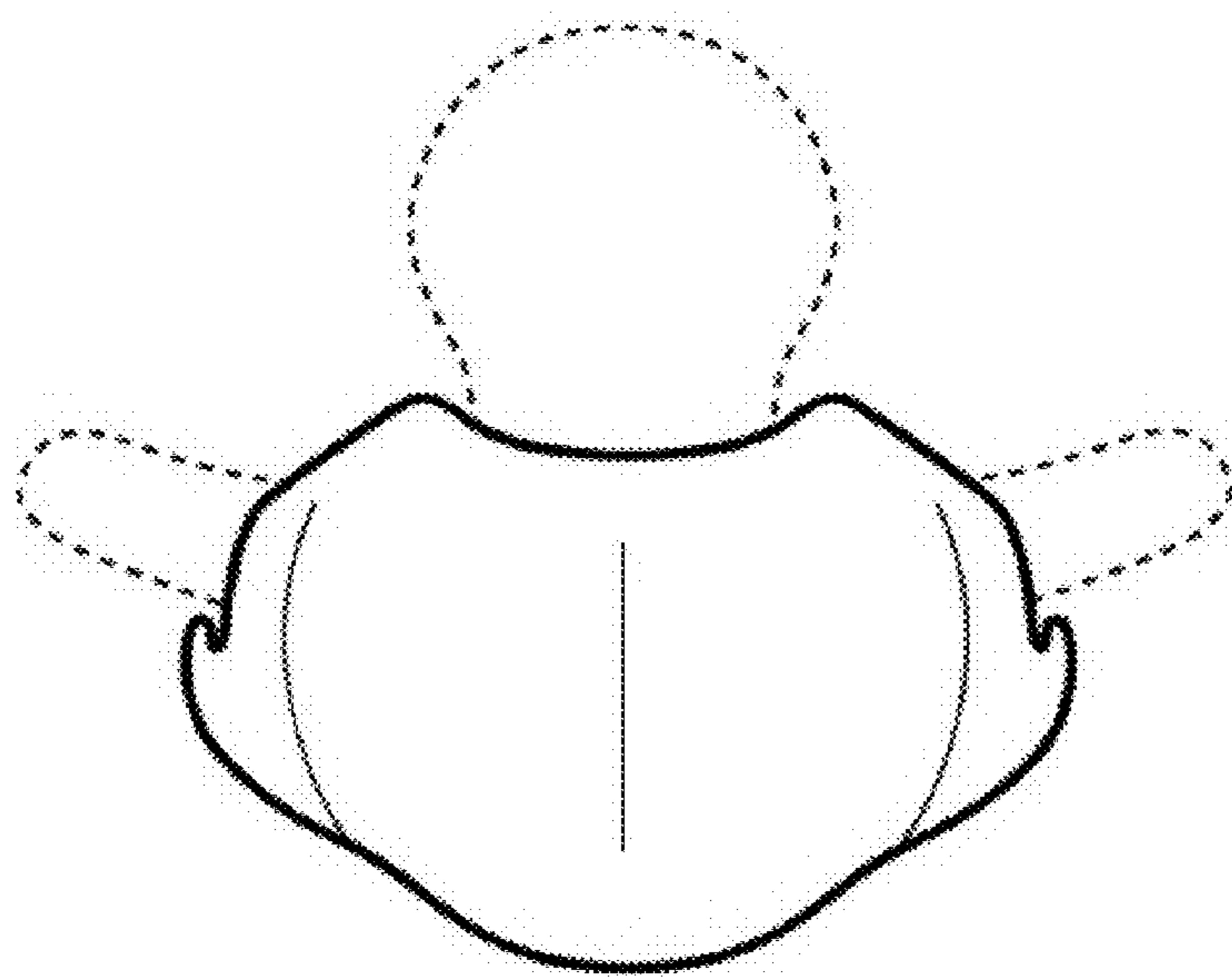
1.1



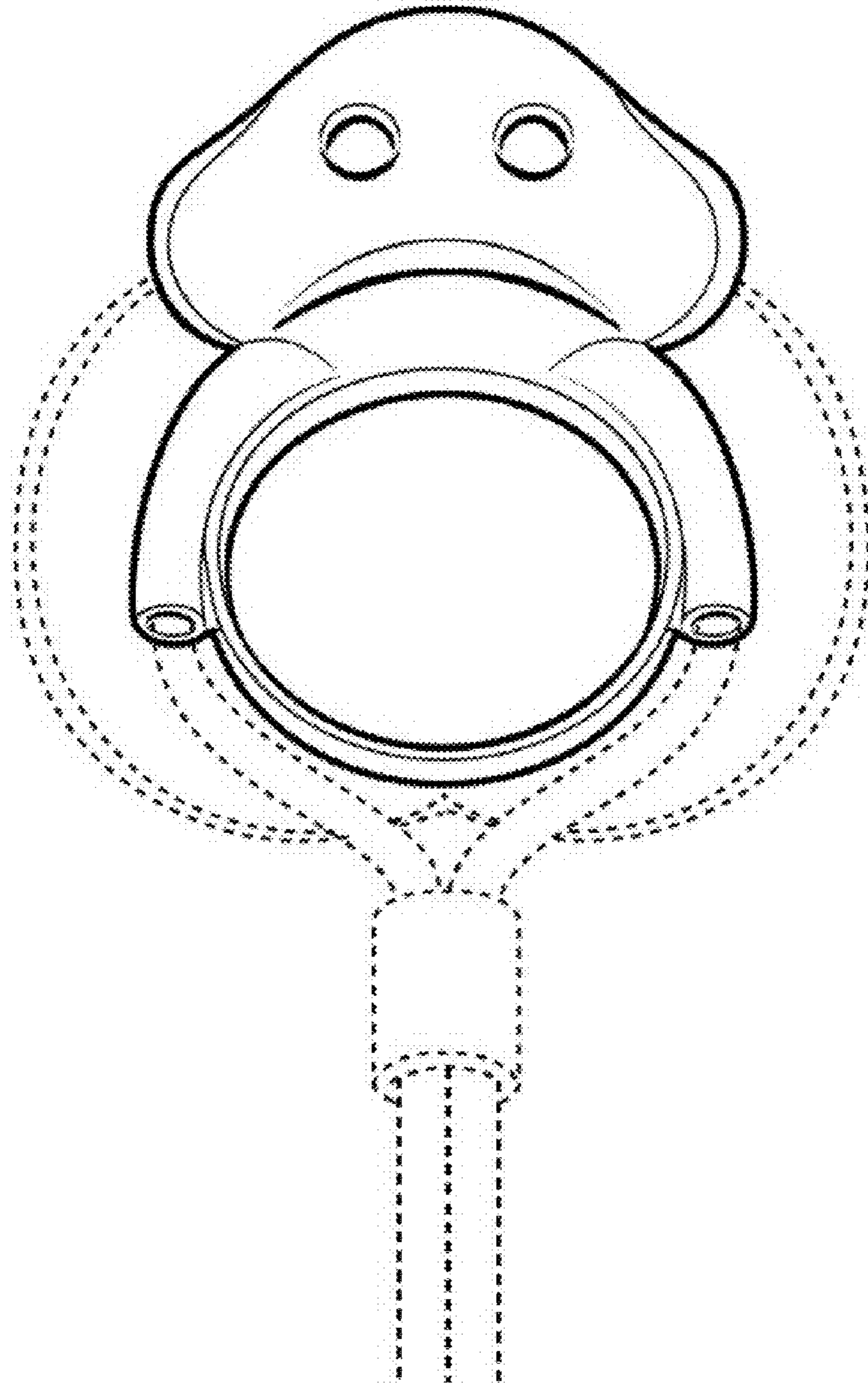
1.2



1.3



1.4



1.5

