



US00D773035S

(12) **United States Design Patent** (10) **Patent No.:** **US D773,035 S**  
**Neuner** (45) **Date of Patent:** **\*\* Nov. 29, 2016**

(54) **ACTUATOR FOR INHALER**  
(71) Applicant: **Robert Neuner**, Darien, CT (US)  
(72) Inventor: **Robert Neuner**, Darien, CT (US)

(\*\*) Term: **15 Years**

(21) Appl. No.: **29/546,080**

(22) Filed: **Nov. 18, 2015**

(51) **LOC (10) Cl.** ..... **29-02**

(52) **U.S. Cl.**  
USPC ..... **D24/110**; D24/127

(58) **Field of Classification Search**  
USPC ..... D24/110-110.1, 110.4-110.5, 127,  
D24/164; D29/108; D9/682, 763, 767, 417,  
D9/448  
CPC ..... A61M 15/00; A61M 15/0065; A61M  
15/0091; A61M 15/0021; A61M 15/0026;  
A61M 11/00; A61M 11/02; A61M 11/04;  
A61M 11/005; A61M 15/0085; A61M 16/00  
See application file for complete search history.

(56) **References Cited**

U.S. PATENT DOCUMENTS

D177,796	S	*	5/1956	Collins	.....	D23/250
5,318,016	A	*	6/1994	Mecikalski	.....	A61M 15/0086 128/200.14
5,875,774	A	*	3/1999	Clementi	.....	A61M 11/06 128/200.14
D441,071	S	*	4/2001	Attolini	.....	D24/110
D447,948	S	*	9/2001	Pannozzo	.....	D9/448
D471,106	S	*	3/2003	Pannozzo	.....	D9/448
D478,285	S	*	8/2003	Pannozzo	.....	D9/448
D576,874	S	*	9/2008	Miller	.....	D9/448
D587,576	S	*	3/2009	Miller	.....	D9/448
D610,250	S	*	2/2010	Neuner	.....	D24/110
D666,094	S	*	8/2012	Cho	.....	D9/448
D668,152	S	*	10/2012	Sasaki	.....	D9/448

D717,424	S	*	11/2014	Steelman	.....	D24/110
9,364,622	B2	*	6/2016	Steelman	.....	A61M 15/0086
2006/0000469	A1	*	1/2006	Tseng	.....	A61M 15/00 128/200.14
2006/0137682	A1	*	6/2006	Tseng	.....	A61M 15/00 128/200.14

OTHER PUBLICATIONS

Boost Oxygen. Date accessed: Jun. 17, 2016. <<http://www.boostoxygen.com/store/>>.\*  
Hercules 1 inch. Products of Precision Global. Date accessed: Jun. 17, 2016. <<http://www.precisionglobal.com/Hercules-1inch.php?CodCategr=7&CodSegmen=>>>.\*

\* cited by examiner

*Primary Examiner* — Barbara Fox  
*Assistant Examiner* — Lilyana Bekic  
(74) *Attorney, Agent, or Firm* — Michael A. Blake

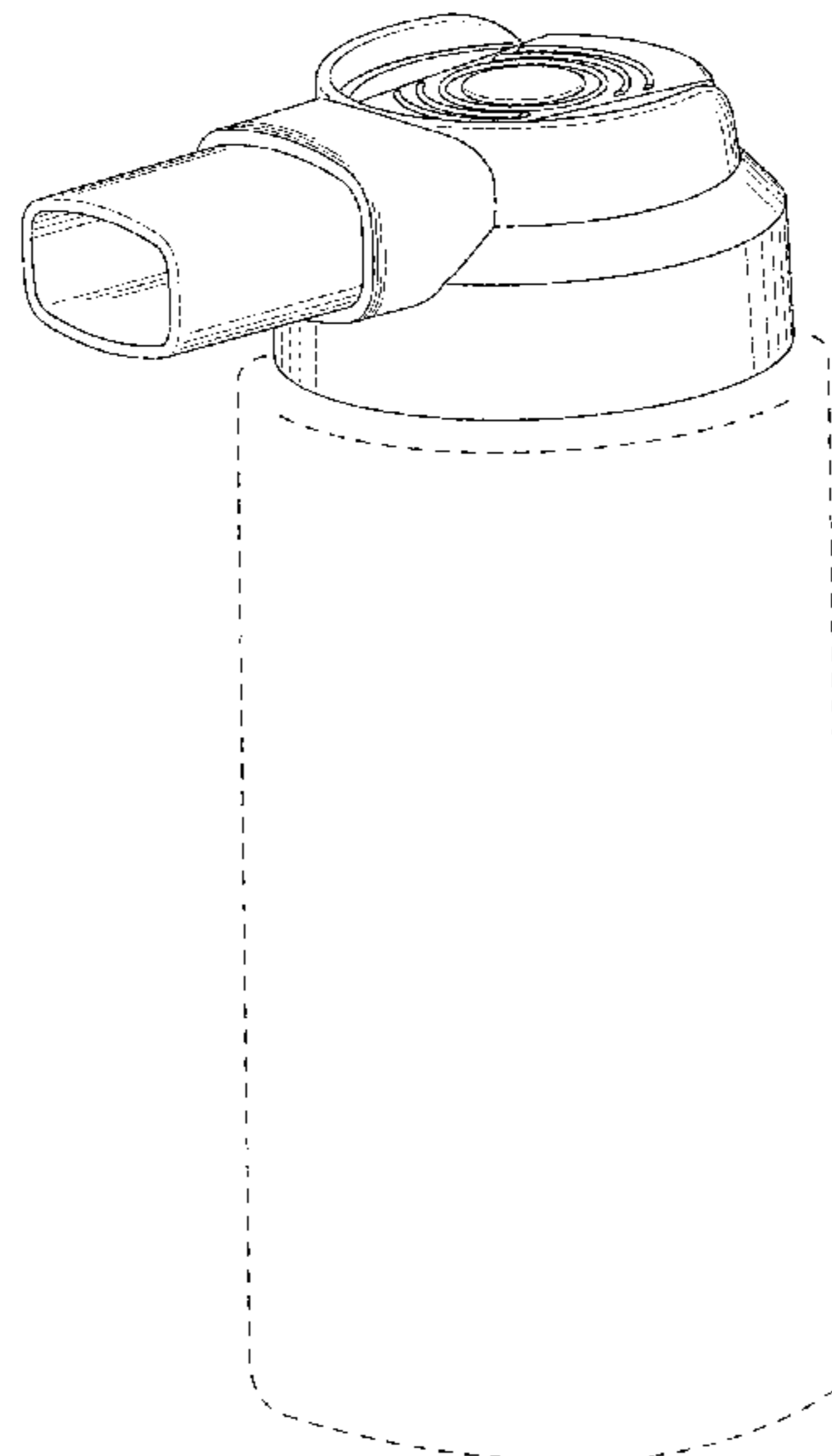
(57) **CLAIM**

The ornamental design for an actuator for inhaler, as shown and described.

**DESCRIPTION**

FIG. 1 is a perspective view of an actuator for inhaler showing the new design;  
FIG. 2 is a front elevation view thereof;  
FIG. 3 is a rear elevation view thereof;  
FIG. 4 is a first side elevation view thereof;  
FIG. 5 is a second side elevation view thereof;  
FIG. 6 is a top plan view thereof; and,  
FIG. 7 is a bottom plan view thereof.  
The container shown in broken lines in FIG. 1 is environmental subject matter included to illustrate how the actuator for inhaler may appear when installed on a container and forms no part of the claimed design. All other broken lines illustrate portions of the actuator for inhaler that form no part of the claimed design.

**1 Claim, 4 Drawing Sheets**



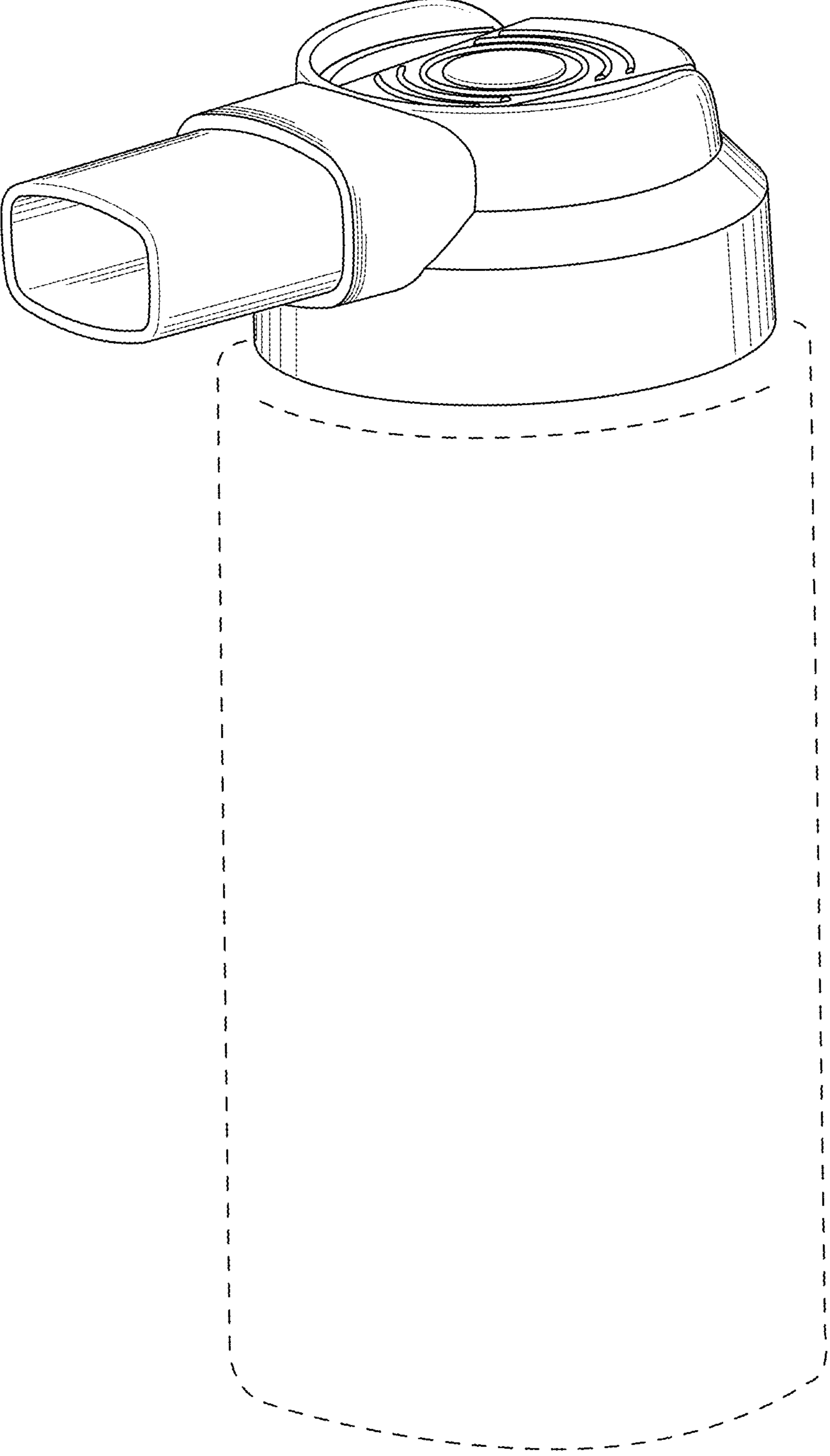


FIG. 1

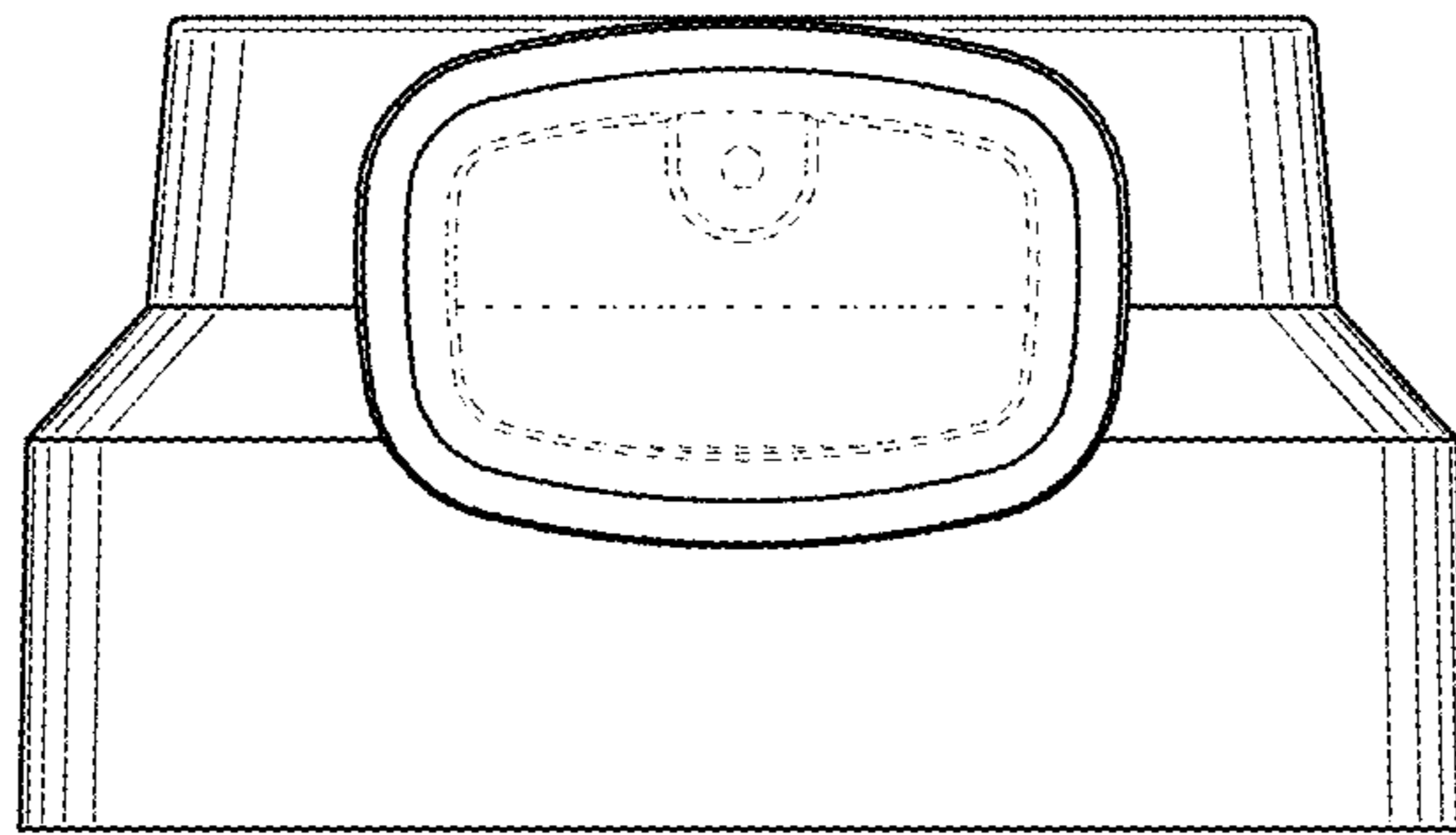


FIG. 2

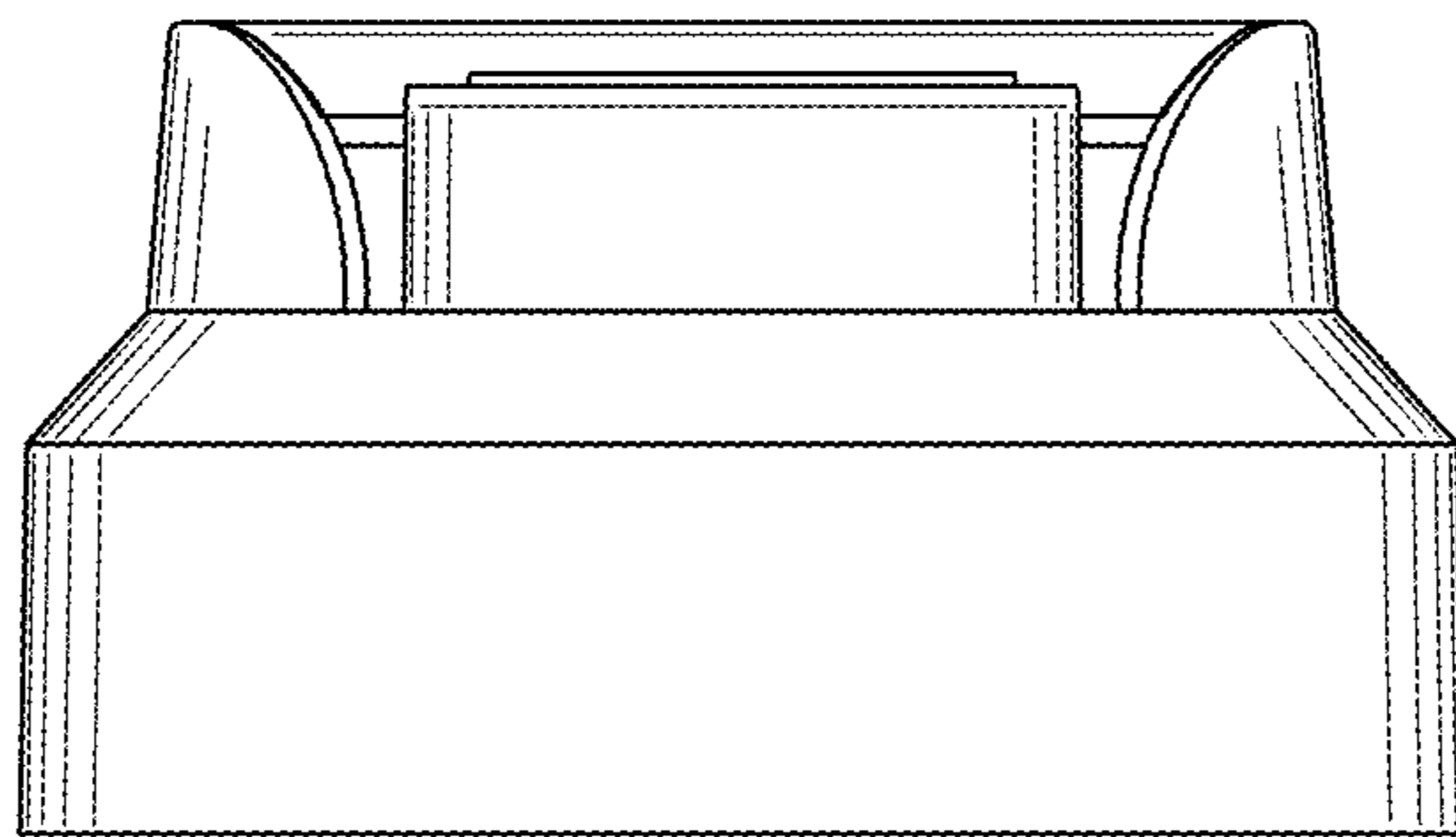


FIG. 3

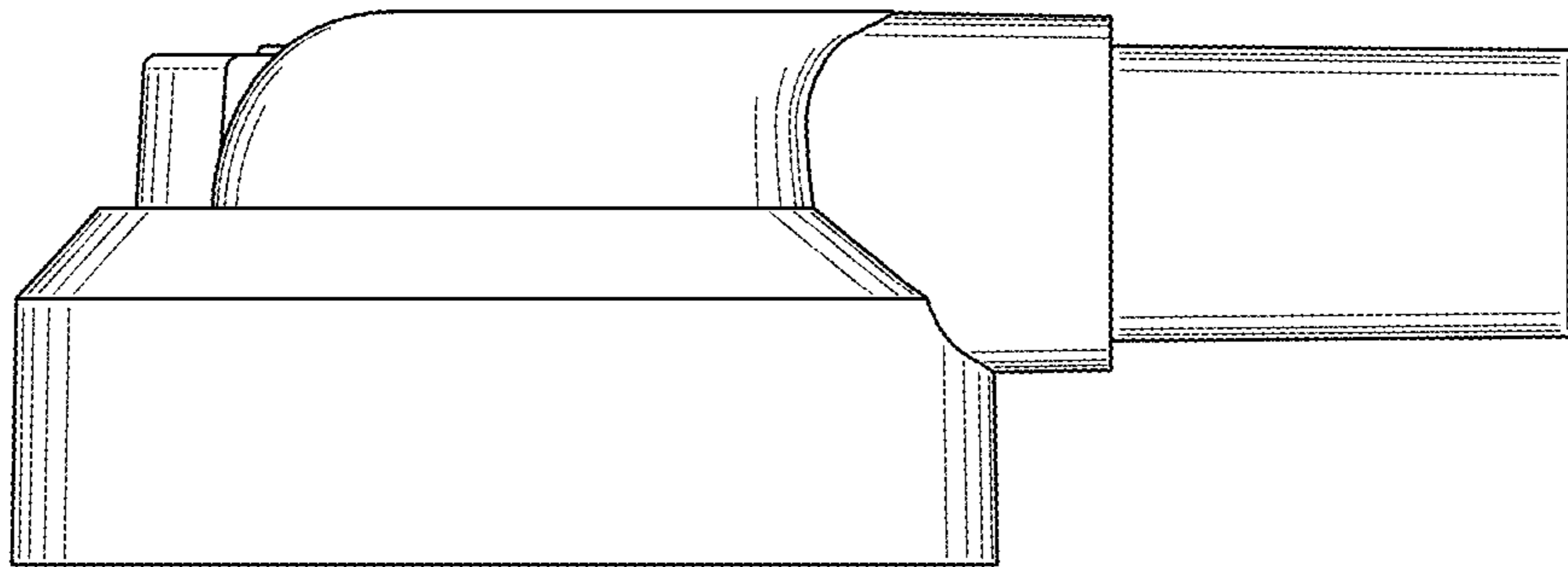


FIG. 4

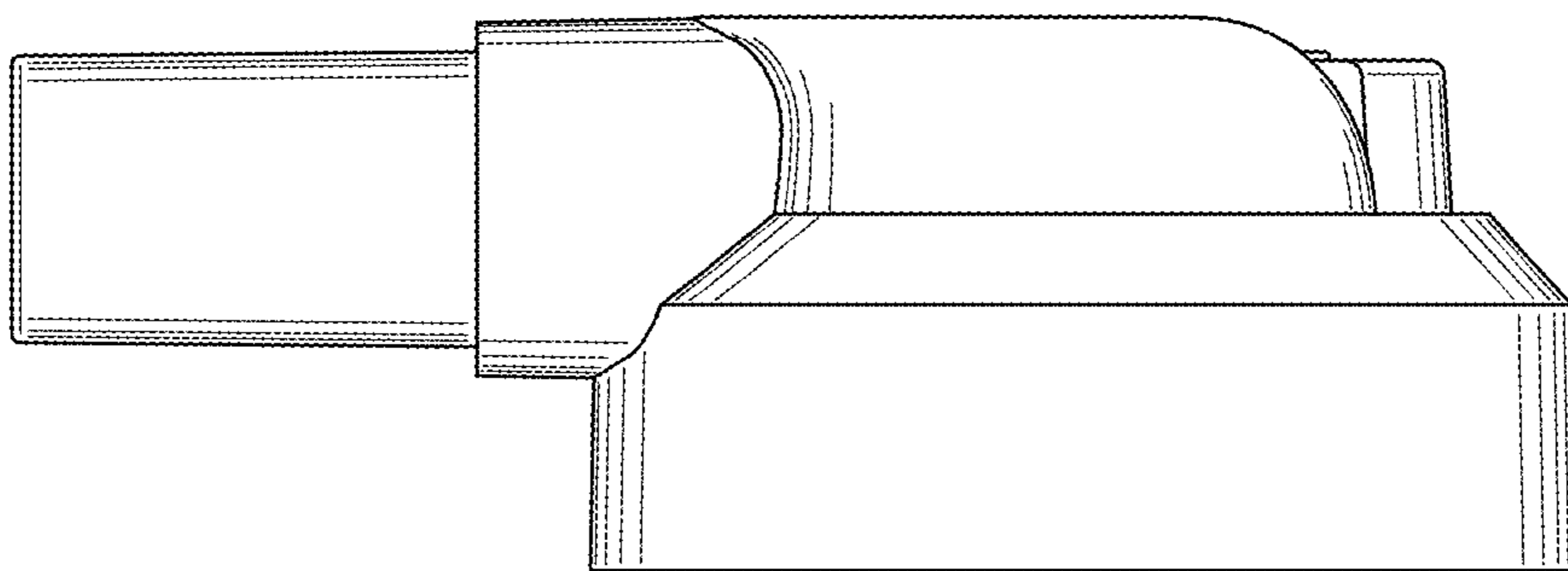


FIG. 5

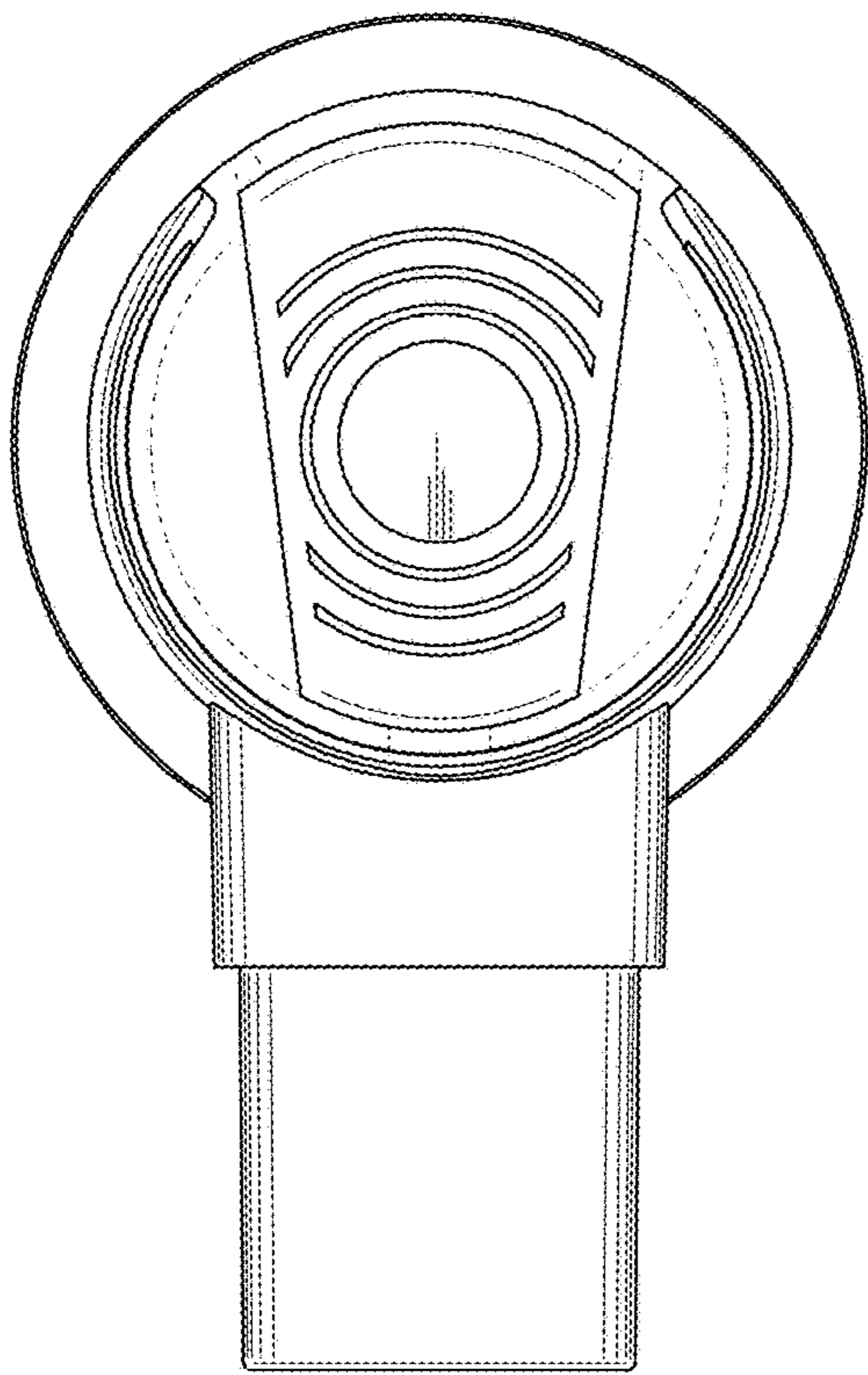


FIG. 6

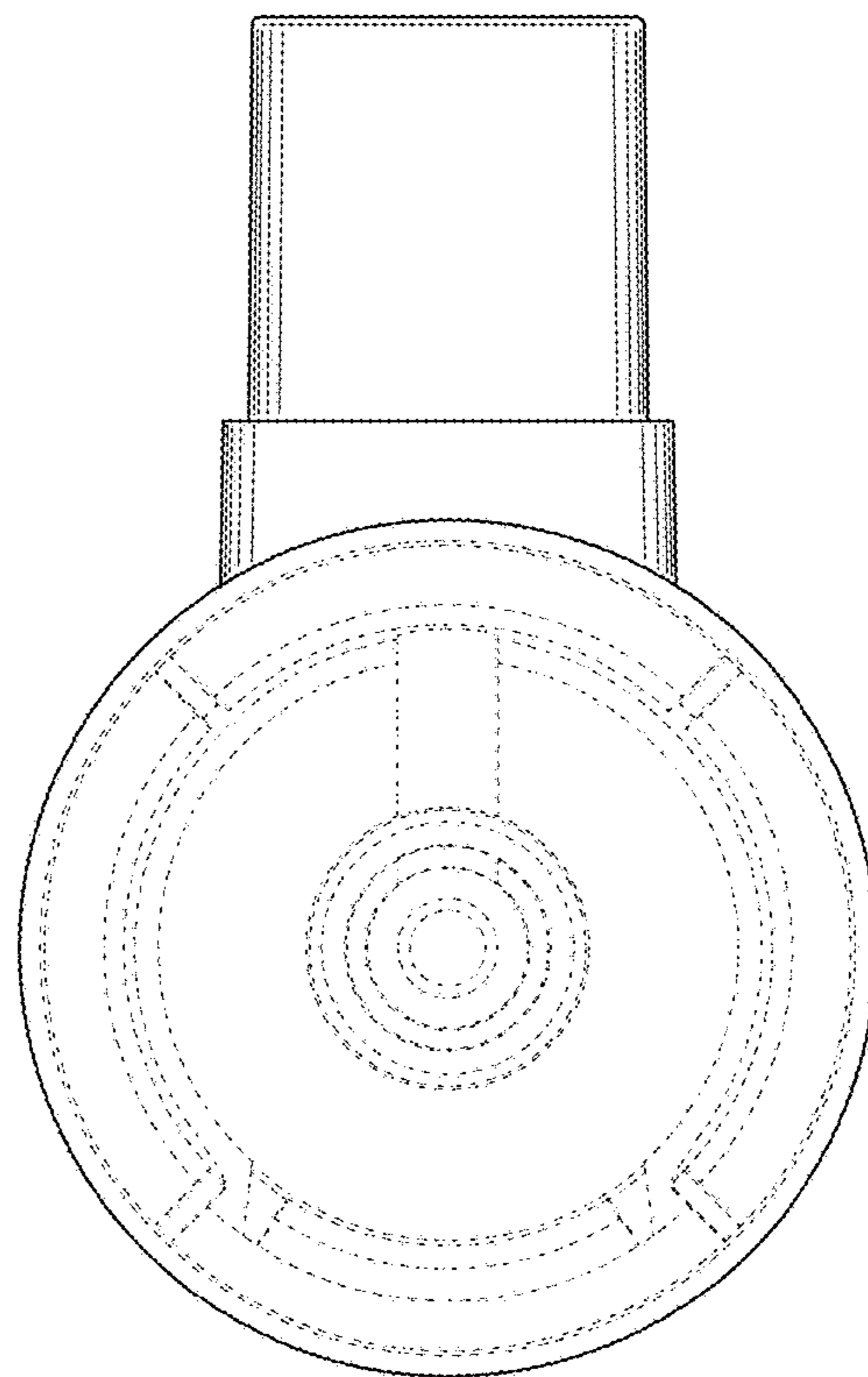


FIG. 7