



US00D773034S

(12) **United States Design Patent**  
**Allnutt**

(10) **Patent No.:** **US D773,034 S**

(45) **Date of Patent:** **\*\* Nov. 29, 2016**

(54) **INHALATION DEVICE HEAD**  
(71) Applicant: **PARI Pharma GmbH**, Starnberg (DE)  
(72) Inventor: **Tom McPherson Allnutt**, Oslo (NO)  
(73) Assignee: **PHARI Pharma GmbH, Inc.**,  
Starnberg (DE)

(\*\*) Term: **14 Years**

(21) Appl. No.: **29/500,251**

(22) Filed: **Aug. 22, 2014**

(30) **Foreign Application Priority Data**

Feb. 25, 2014 (EM) ..... 002411470-0002

(51) **LOC (10) Cl.** ..... **29-02**

(52) **U.S. Cl.**  
USPC ..... **D24/110**

(58) **Field of Classification Search**  
USPC ..... D24/107, 108, 110, 127, 164  
CPC ..... A61M 15/0026; A61M 15/0025;  
A61M 15/0023; A61M 15/0021; A61M  
15/00; A61M 15/0001  
See application file for complete search history.

(56) **References Cited**

**U.S. PATENT DOCUMENTS**

5,337,740 A \* 8/1994 Armstrong ..... A61M 15/0028  
128/203.12  
5,794,613 A \* 8/1998 Piskorski ..... A61M 15/0045  
128/202.17  
D483,860 S \* 12/2003 Knoch ..... D24/110  
D583,928 S \* 12/2008 Knoch ..... D24/110  
D697,200 S \* 1/2014 Mahaffy ..... D24/110  
D742,503 S \* 11/2015 Mullinger ..... D24/110

2004/0182387 A1 \* 9/2004 Steiner ..... A61M 15/0028  
128/203.15  
2009/0314292 A1 \* 12/2009 Overfield ..... A61B 5/087  
128/203.15  
2012/0160241 A1 \* 6/2012 Oliva ..... A61M 15/0028  
128/203.15  
2014/0116426 A1 \* 5/2014 Mullinger ..... A61M 11/005  
128/200.14

\* cited by examiner

*Primary Examiner* — Barbara Fox

*Assistant Examiner* — Lilyana Bekic

(74) *Attorney, Agent, or Firm* — McGuireWoods LLP

(57) **CLAIM**

I claim the ornamental design for an inhalation device head,  
as shown and described.

**DESCRIPTION**

FIG. 1 is a right-front perspective view of the inhalation  
device head;

FIG. 2 is a right side view of the inhalation device head  
shown in FIG. 1;

FIG. 3 is a left side view of the inhalation device head shown  
in FIG. 1;

FIG. 4 is a front view of the inhalation device head shown  
in FIG. 1;

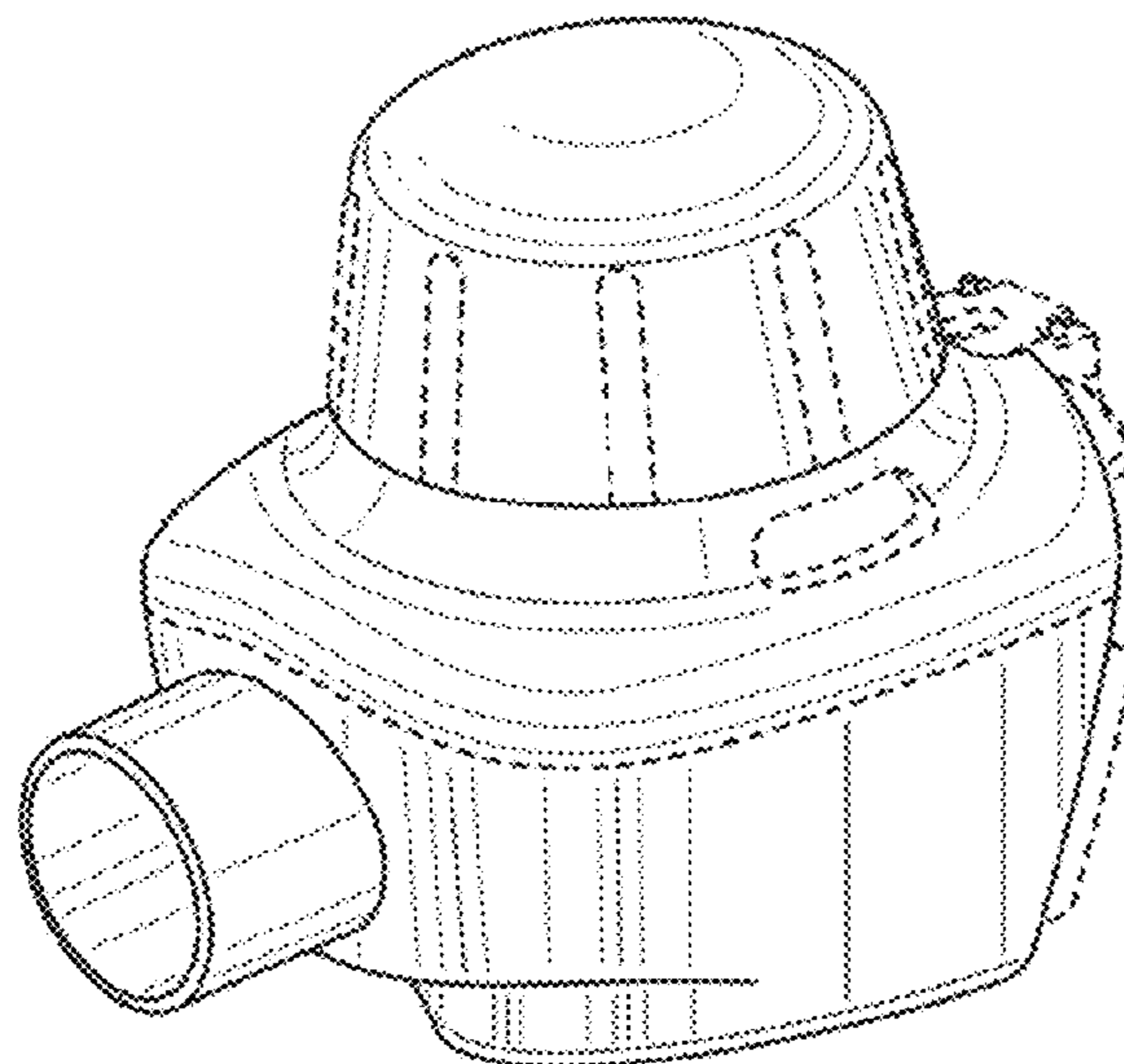
FIG. 5 is a rear view of the inhalation device head shown in  
FIG. 1;

FIG. 6 is a top view of the inhalation device head shown in  
FIG. 1; and,

FIG. 7 is a bottom view of the inhalation device head shown  
in FIG. 1.

The dash-dot-dash broken lines represent the boundaries of  
the claim design and form no part thereof. The dash-dash  
broken lines illustrate portions of the inhalation device head  
which form no part of the claimed design.

**1 Claim, 7 Drawing Sheets**



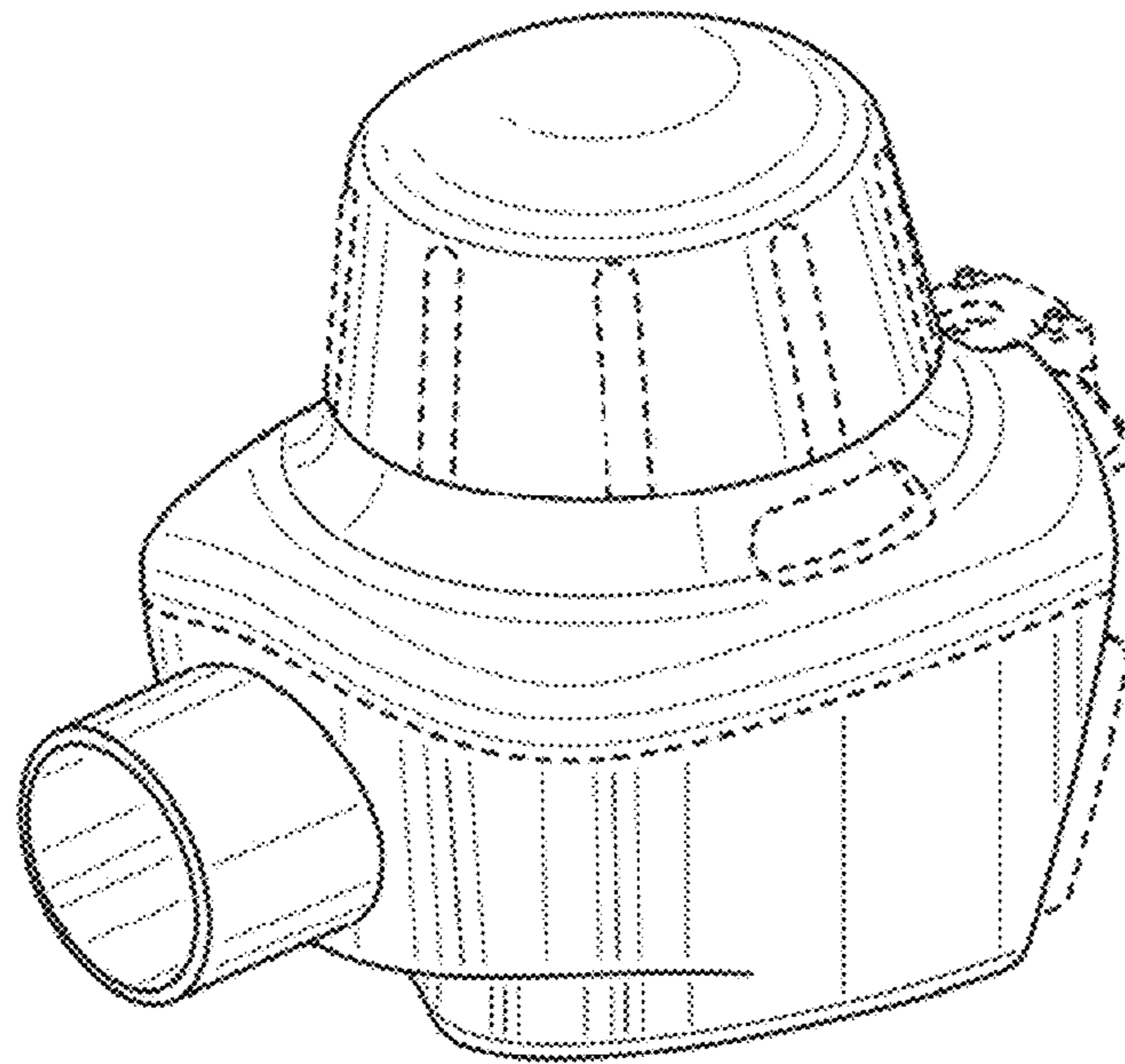


FIG. 1

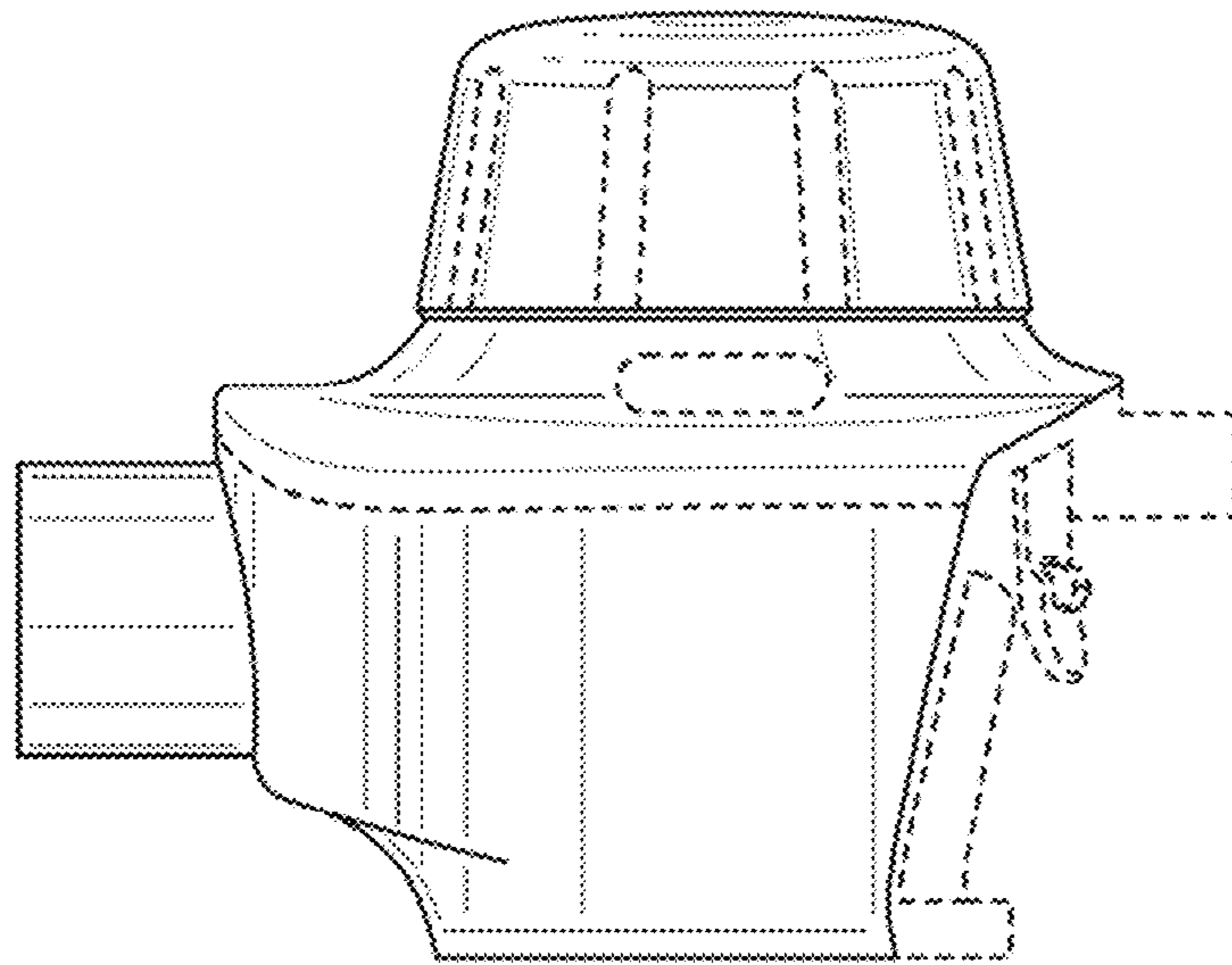


FIG. 2

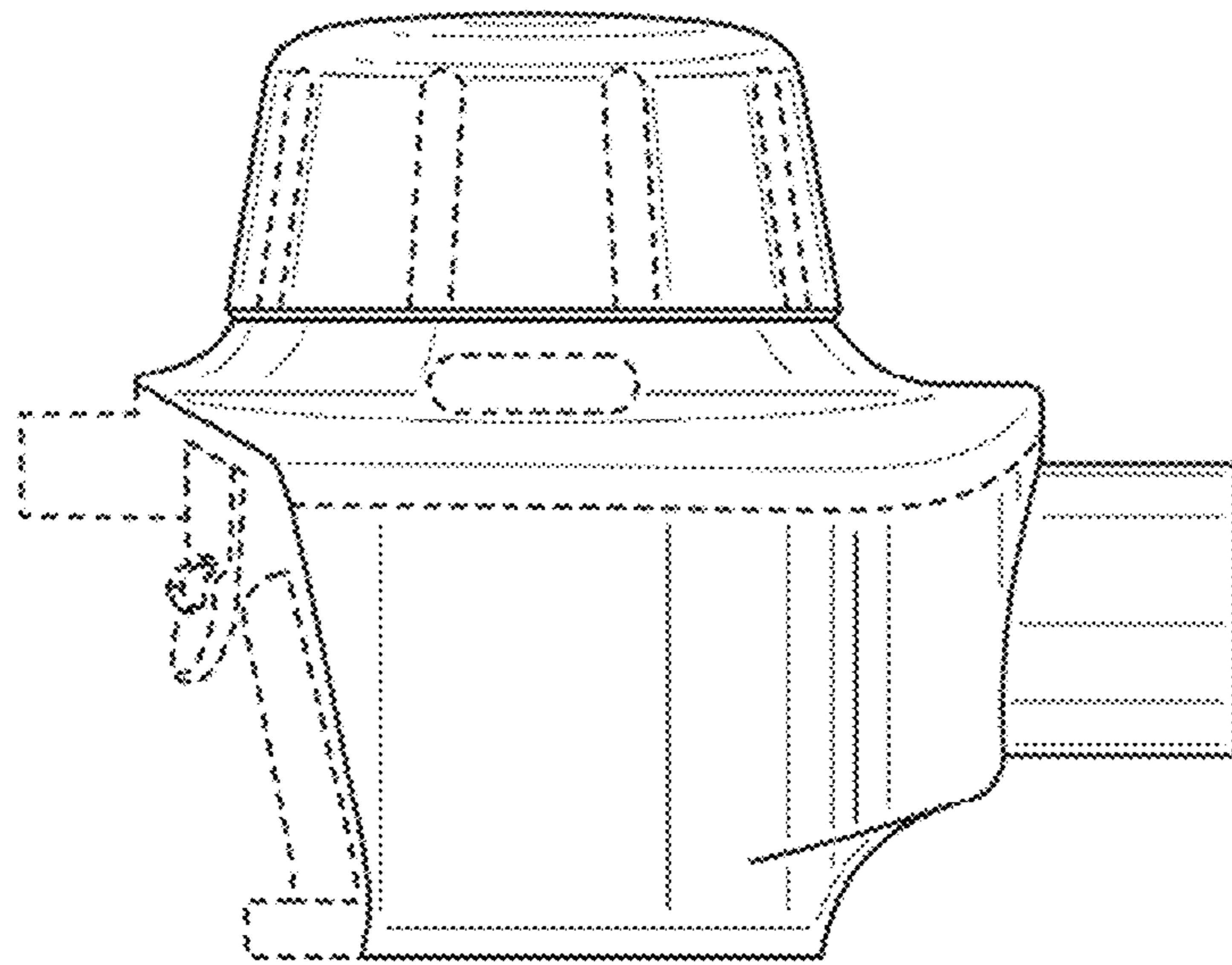


FIG. 3

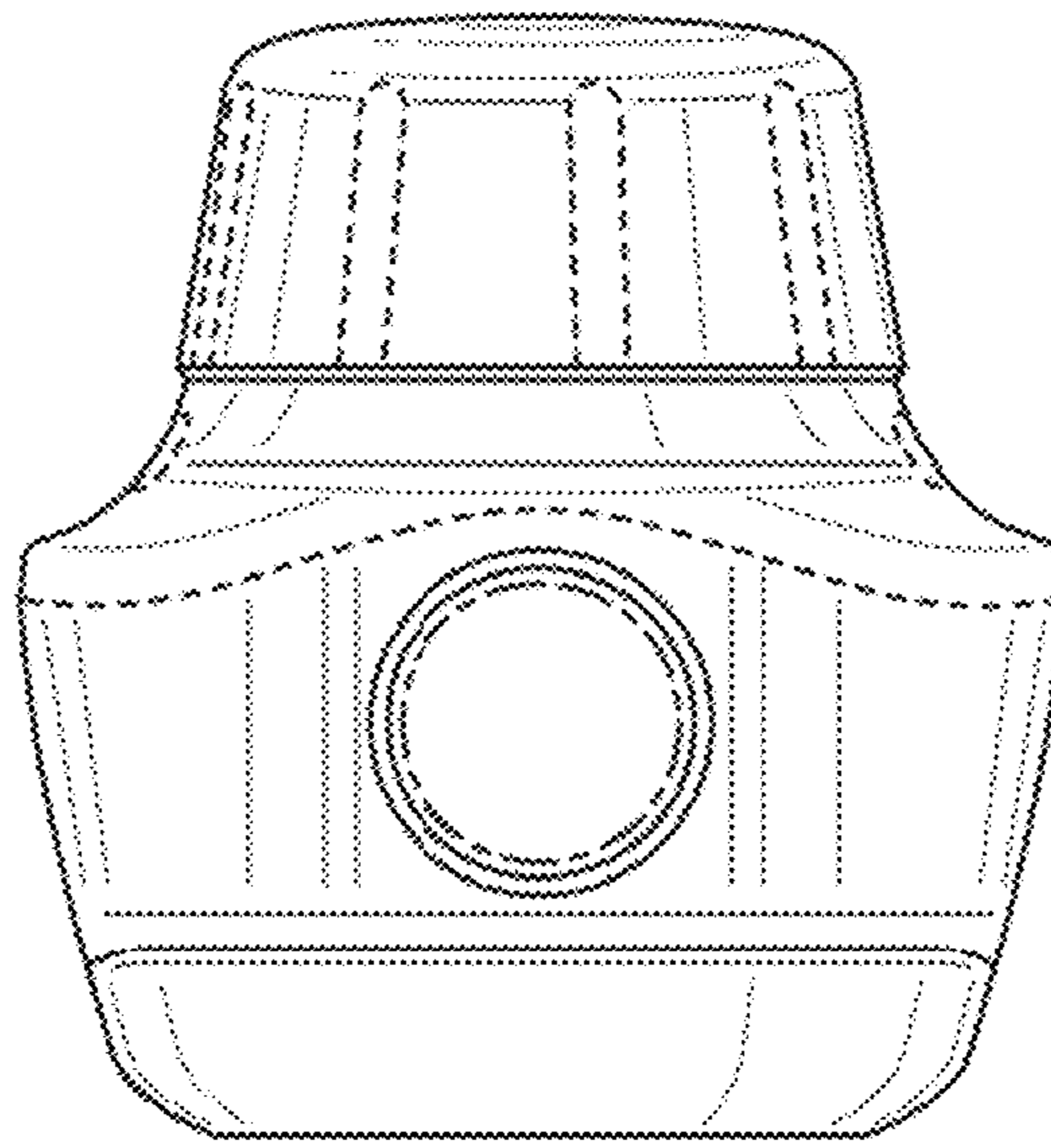


FIG. 4

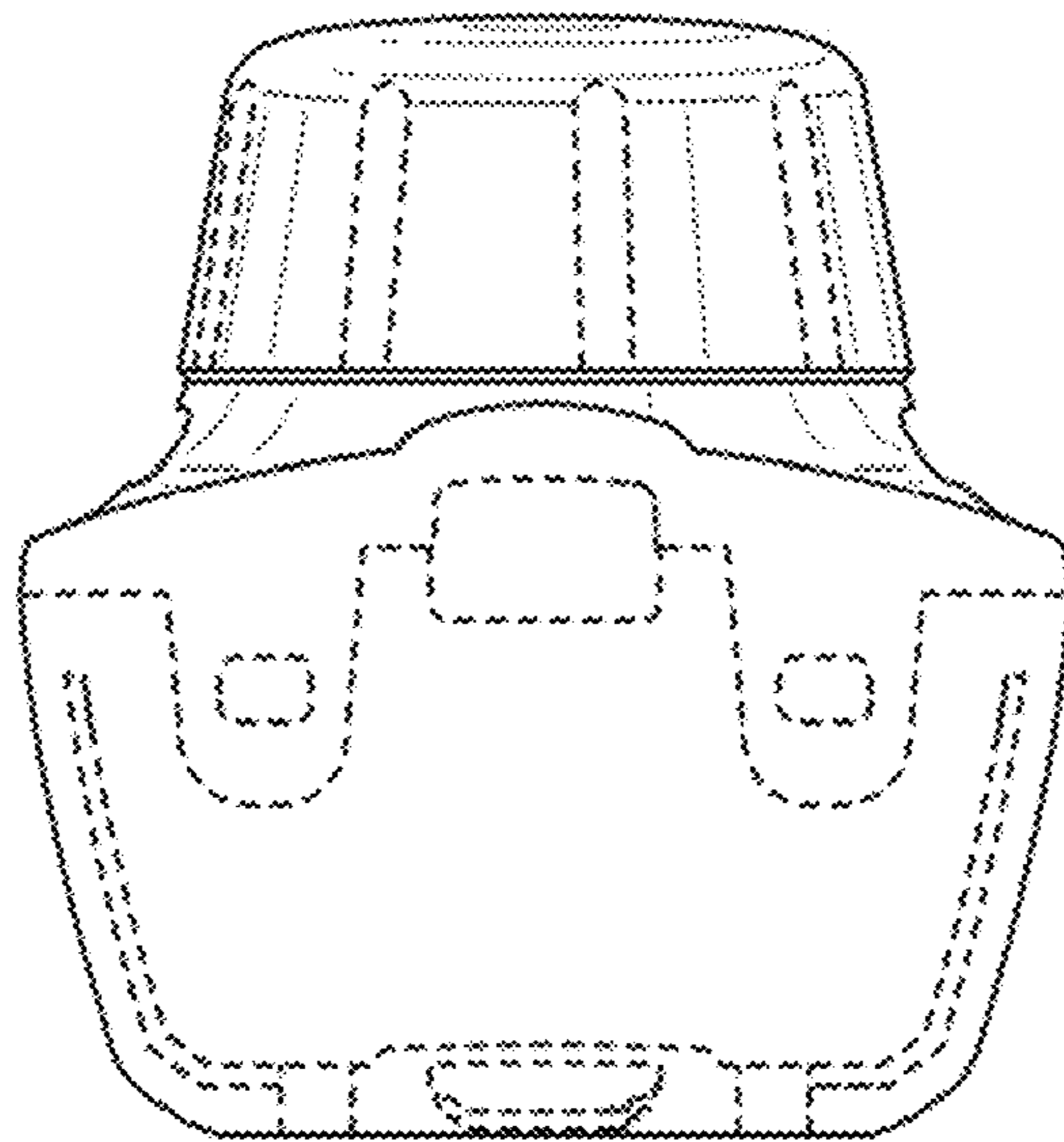


FIG. 5

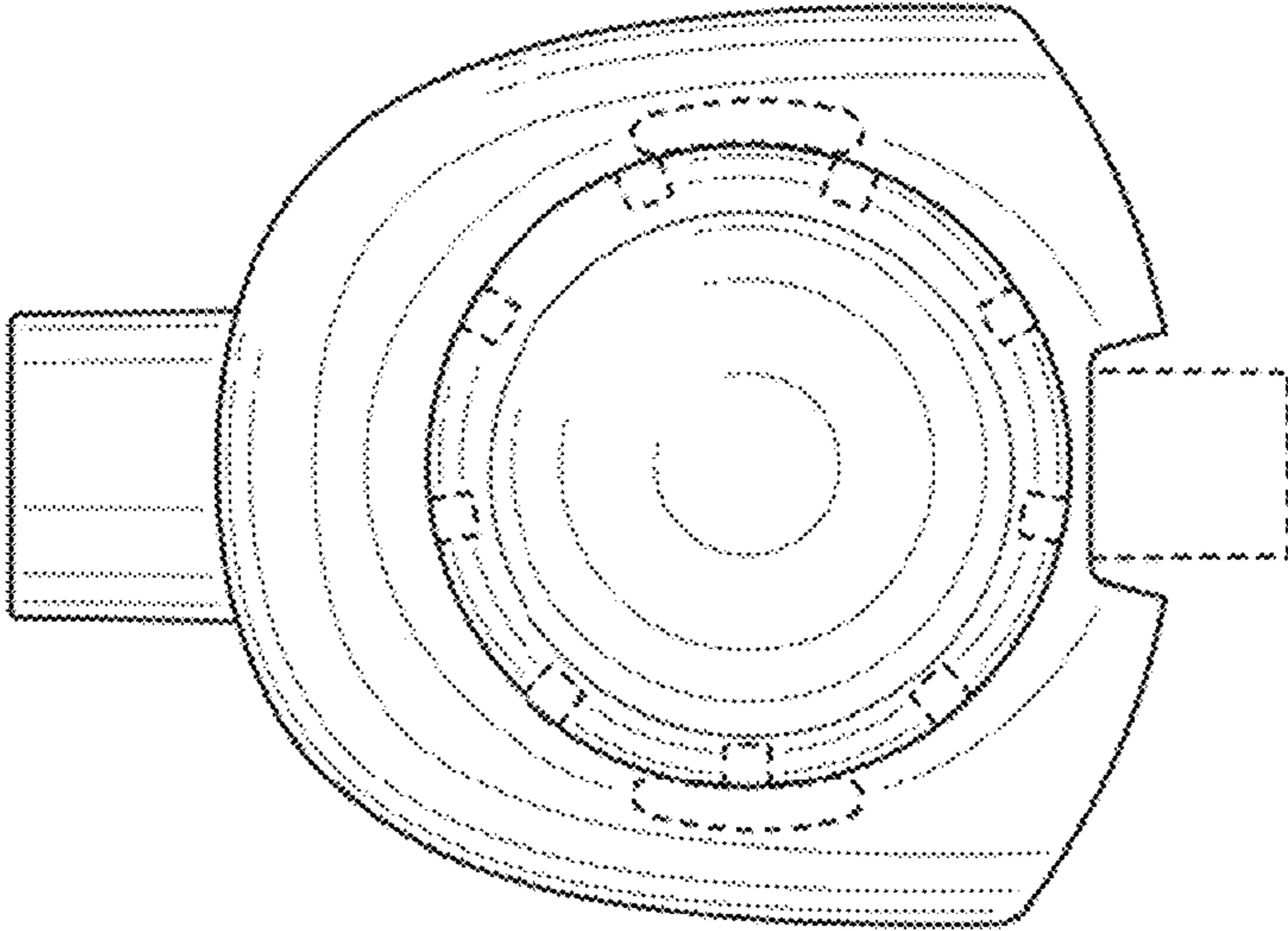


FIG. 6

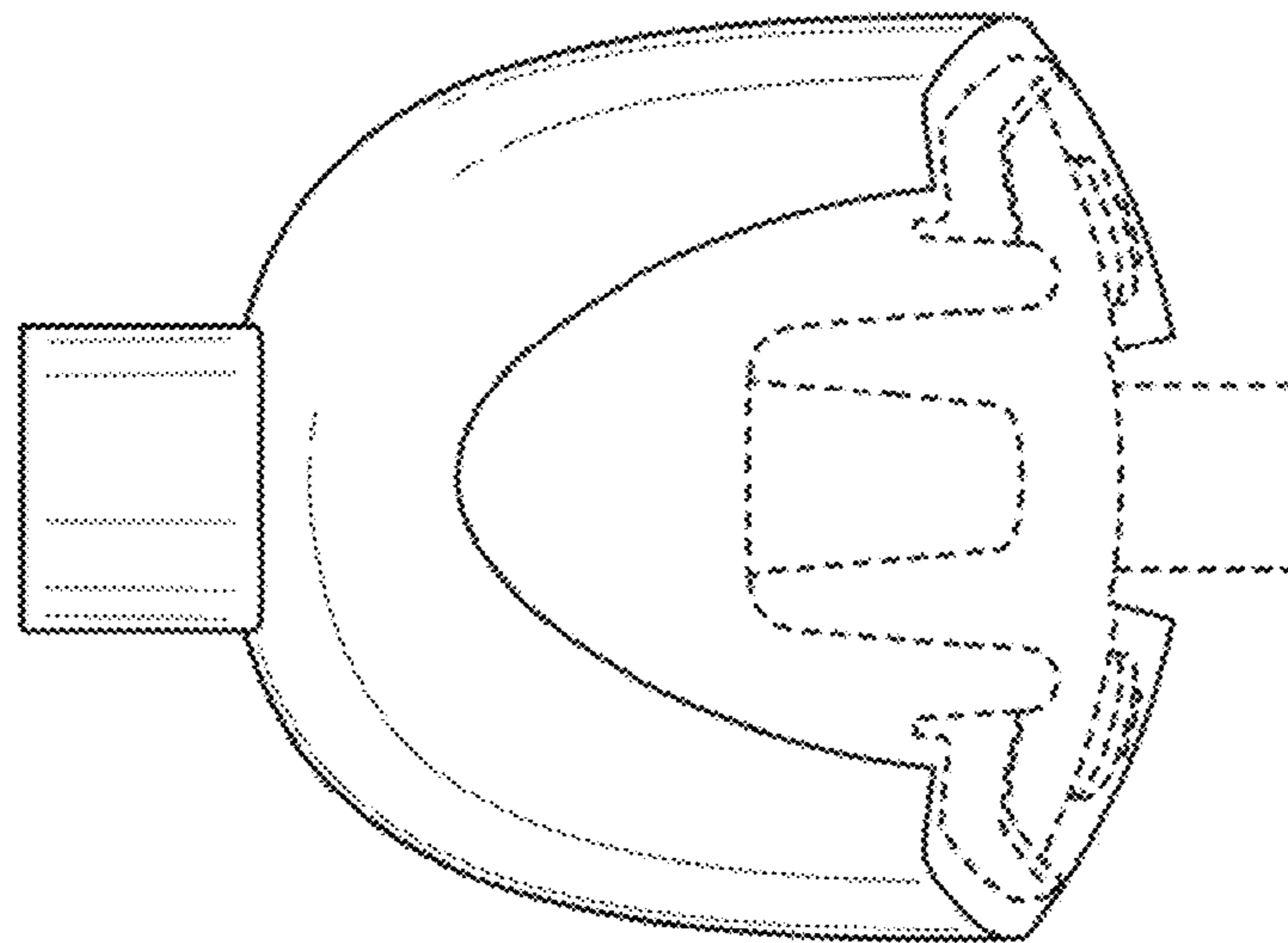


FIG. 7



UNITED STATES PATENT AND TRADEMARK OFFICE  
**CERTIFICATE OF CORRECTION**

PATENT NO. : D773,034 S  
APPLICATION NO. : 29/500251  
DATED : November 29, 2016  
INVENTOR(S) : Tom McPherson Allnut

Page 1 of 1

It is certified that error appears in the above-identified patent and that said Letters Patent is hereby corrected as shown below:

On the Title Page

Column 2, Line 26, Description: Delete "claim design" and insert -- claimed design --

Signed and Sealed this  
Eighth Day of August, 2017



Joseph Matal  
*Performing the Functions and Duties of the  
Under Secretary of Commerce for Intellectual Property and  
Director of the United States Patent and Trademark Office*