



US00D773033S

(12) **United States Design Patent**
Allnutt

(10) **Patent No.:** **US D773,033 S**

(45) **Date of Patent:** **** Nov. 29, 2016**

(54) **INHALATION DEVICE**

(71) Applicant: **PARI Pharma GmbH**, Starnberg (DE)

(72) Inventor: **Tom McPherson Allnutt**, Oslo (NO)

(73) Assignee: **PARI Pharma GmbH, Inc.**, Starnberg (DE)

(**) Term: **14 Years**

(21) Appl. No.: **29/500,250**

(22) Filed: **Aug. 22, 2014**

(30) **Foreign Application Priority Data**

Feb. 25, 2014 (EM) 002411470-0001

(51) **LOC (10) Cl.** **29-02**

(52) **U.S. Cl.**
USPC **D24/110**

(58) **Field of Classification Search**
USPC D24/107, 108, 110, 127, 164
CPC A61M 15/0026; A61M 15/0025;
A61M 15/0023; A61M 15/0021; A61M
15/00; A61M 15/0001
See application file for complete search history.

(56) **References Cited**

U.S. PATENT DOCUMENTS

- 5,337,740 A * 8/1994 Armstrong A61M 15/0028
128/203.12
- 5,794,613 A * 8/1998 Piskorski A61M 15/0045
128/202.17
- D483,860 S * 12/2003 Knoch D24/110
- D583,928 S * 12/2008 Knoch D24/110
- D697,200 S * 1/2014 Mahaffy D24/110
- D742,503 S * 11/2015 Mullinger D24/110

- 2004/0182387 A1* 9/2004 Steiner A61M 15/0028
128/203.15
- 2009/0314292 A1* 12/2009 Overfield A61B 5/087
128/203.15
- 2012/0160241 A1* 6/2012 Oliva A61M 15/0028
128/203.15
- 2014/0116426 A1* 5/2014 Mullinger A61M 11/005
128/200.14

* cited by examiner

Primary Examiner — Barbara Fox

Assistant Examiner — Lilyana Bekic

(74) *Attorney, Agent, or Firm* — McGuireWoods LLP

(57) **CLAIM**

I claim the ornamental design for an inhalation device, as shown and described.

DESCRIPTION

FIG. 1 is a right-front perspective view of the inhalation device;

FIG. 2 is a right side view of the inhalation device shown in FIG. 1;

FIG. 3 is a left side view of the inhalation device shown in FIG. 1;

FIG. 4 is a front view of the inhalation device shown in FIG. 1;

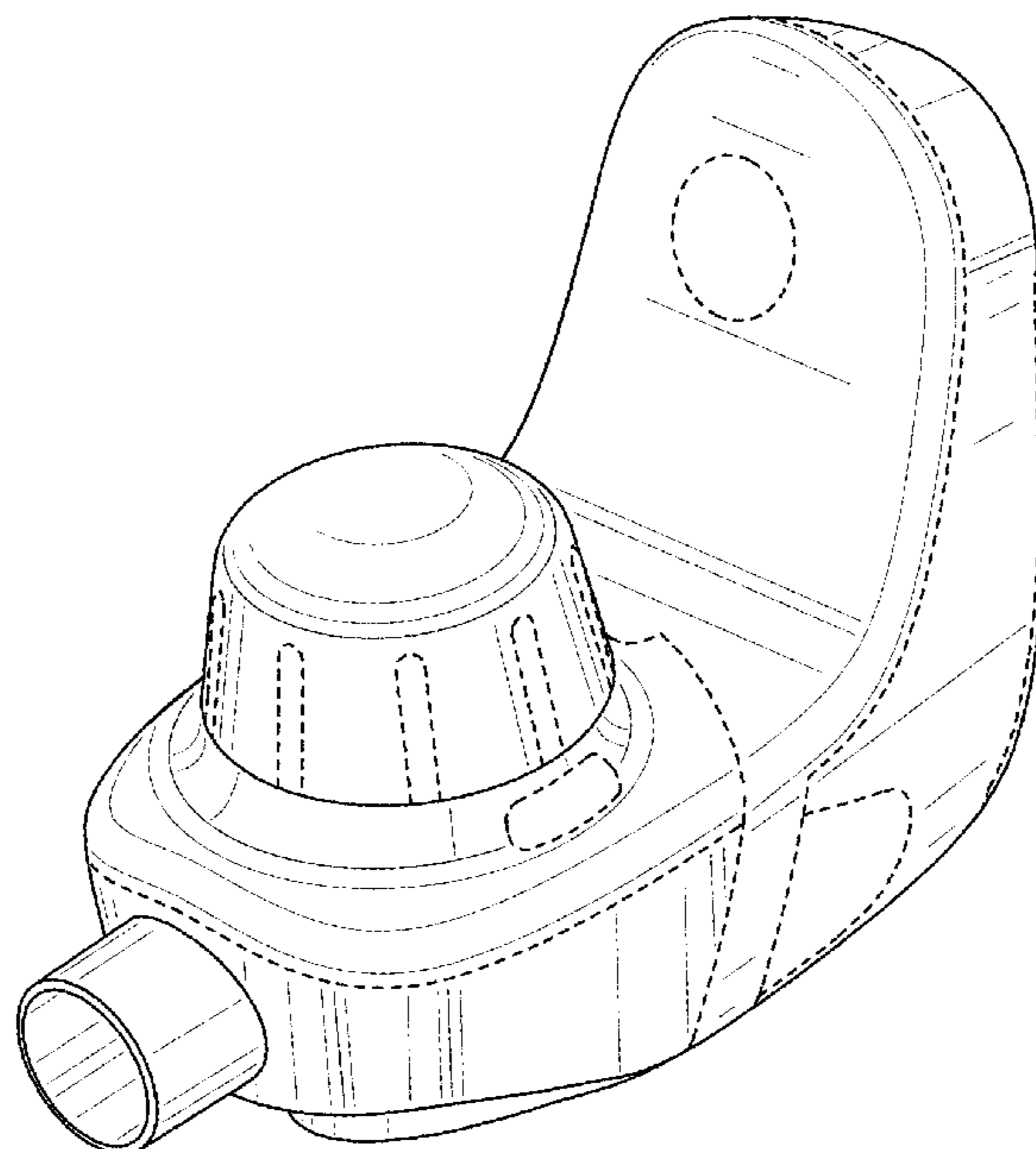
FIG. 5 is a rear view of the inhalation device shown in FIG. 1;

FIG. 6 is a top view of the inhalation device shown in FIG. 1; and,

FIG. 7 is a bottom view of the inhalation device shown in FIG. 1.

The dash-dot-dash broken lines represent the boundaries of the claimed design and form no part thereof. The dash-dash broken lines illustrate the portions of the inhalation device which form no part of the claimed design.

1 Claim, 7 Drawing Sheets



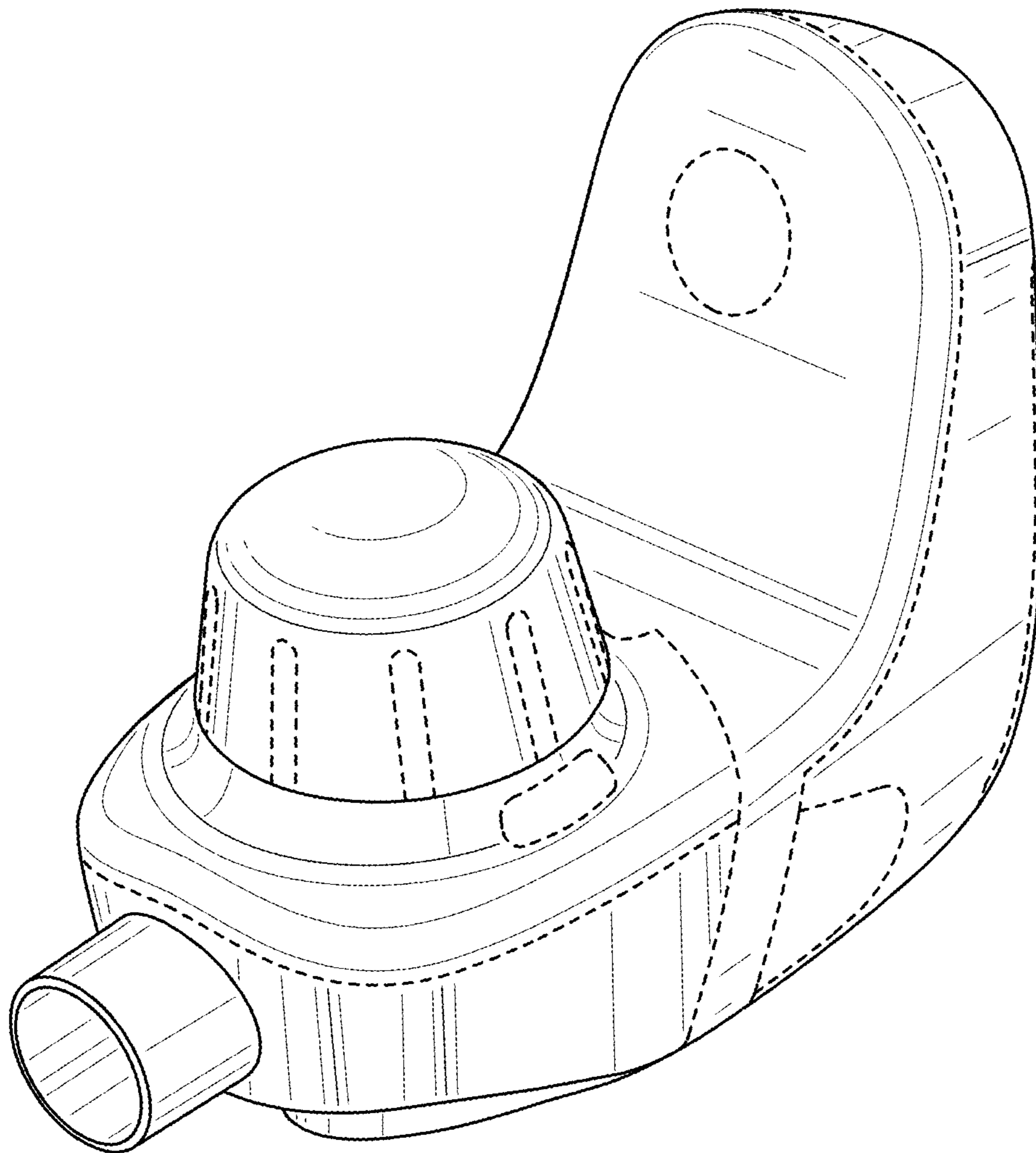


FIG. 1

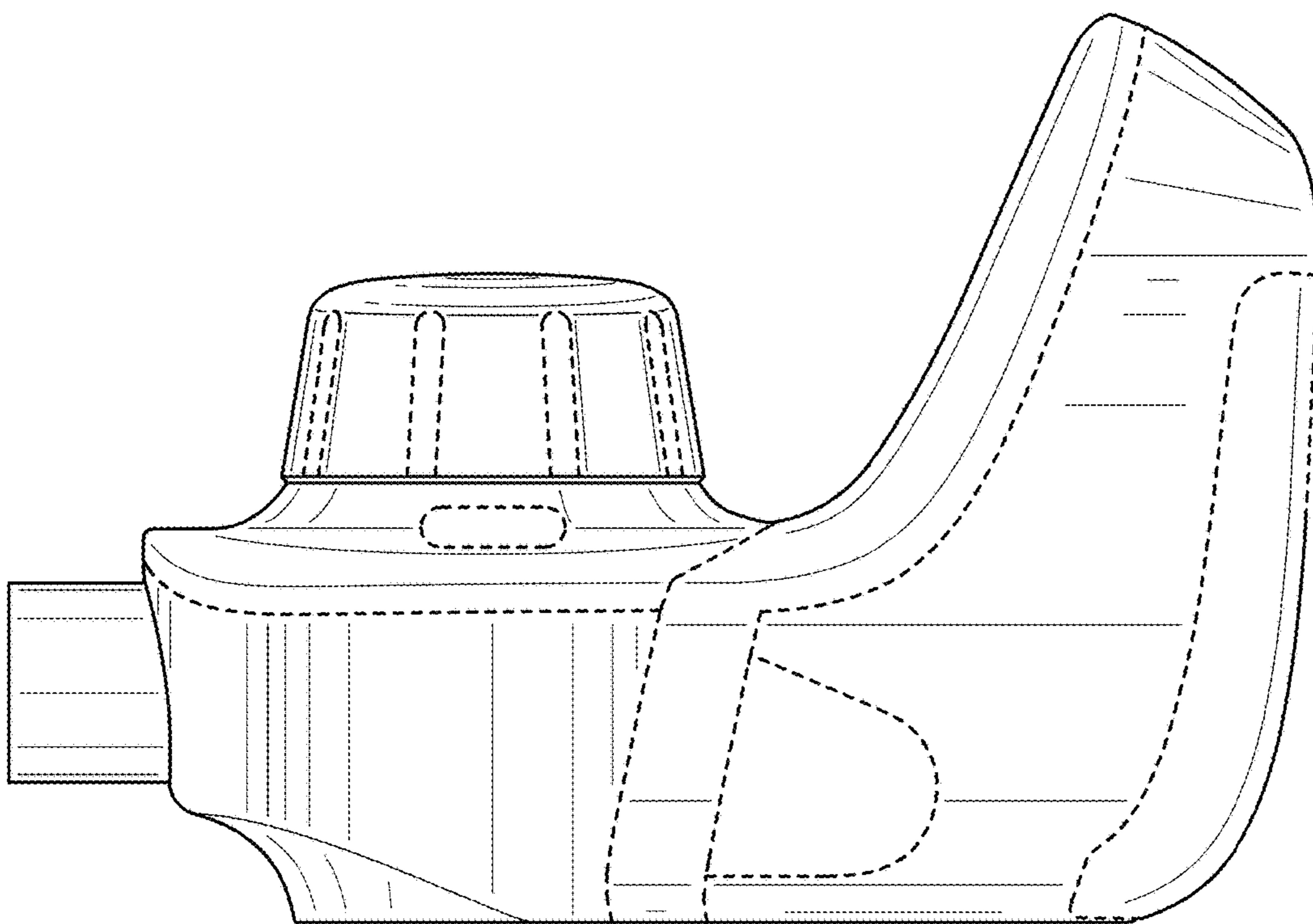


FIG. 2

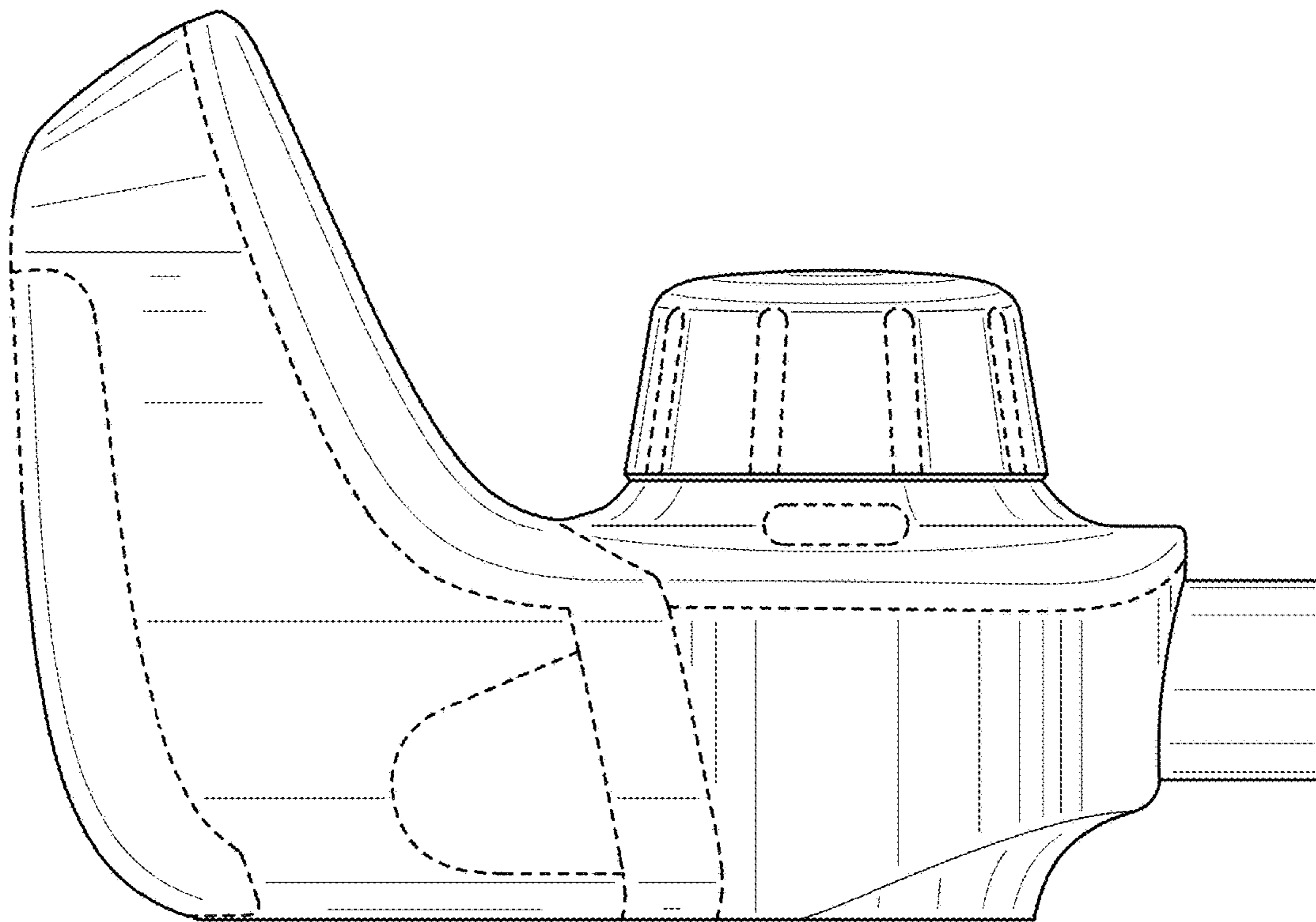


FIG. 3

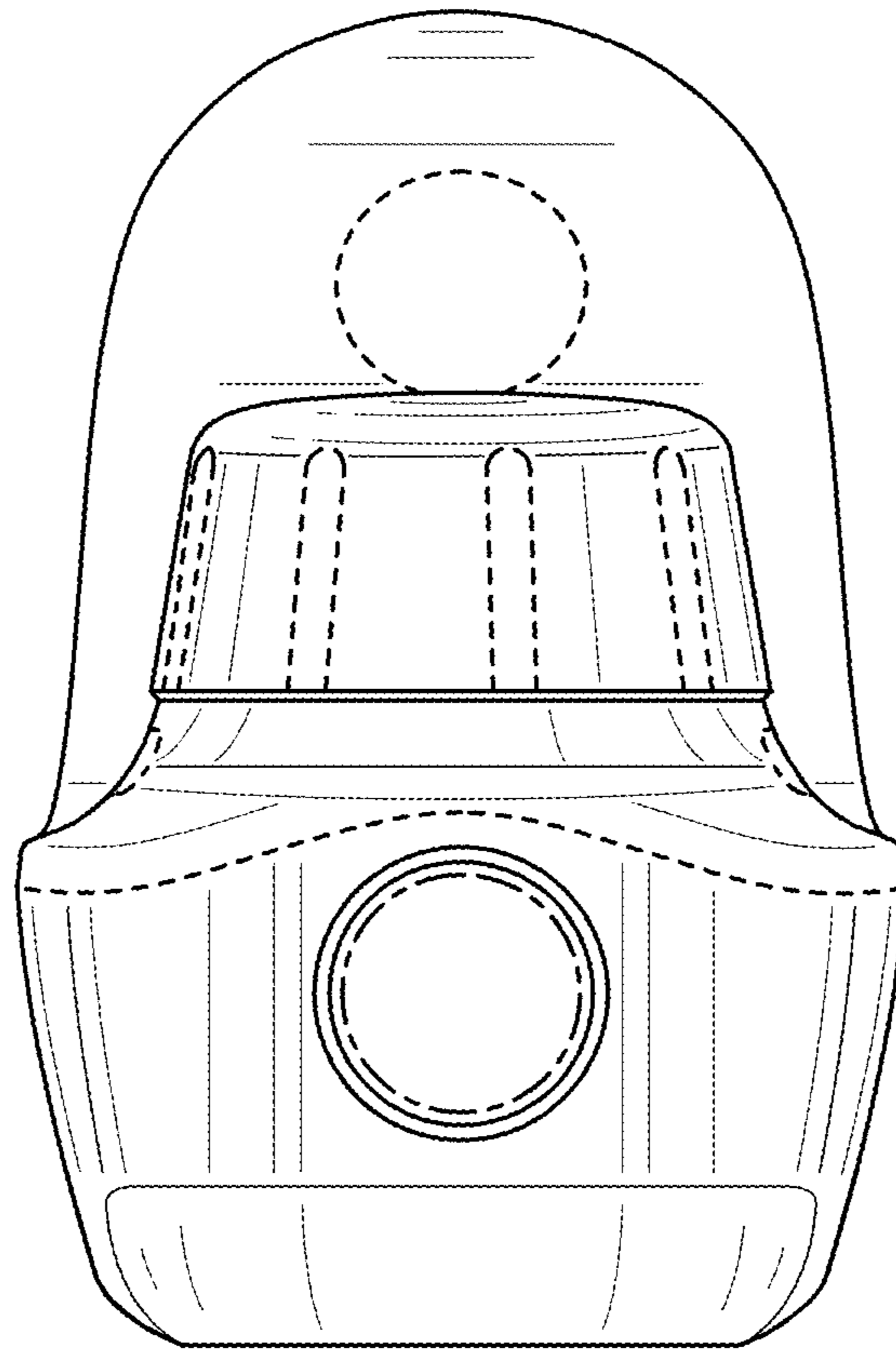


FIG. 4

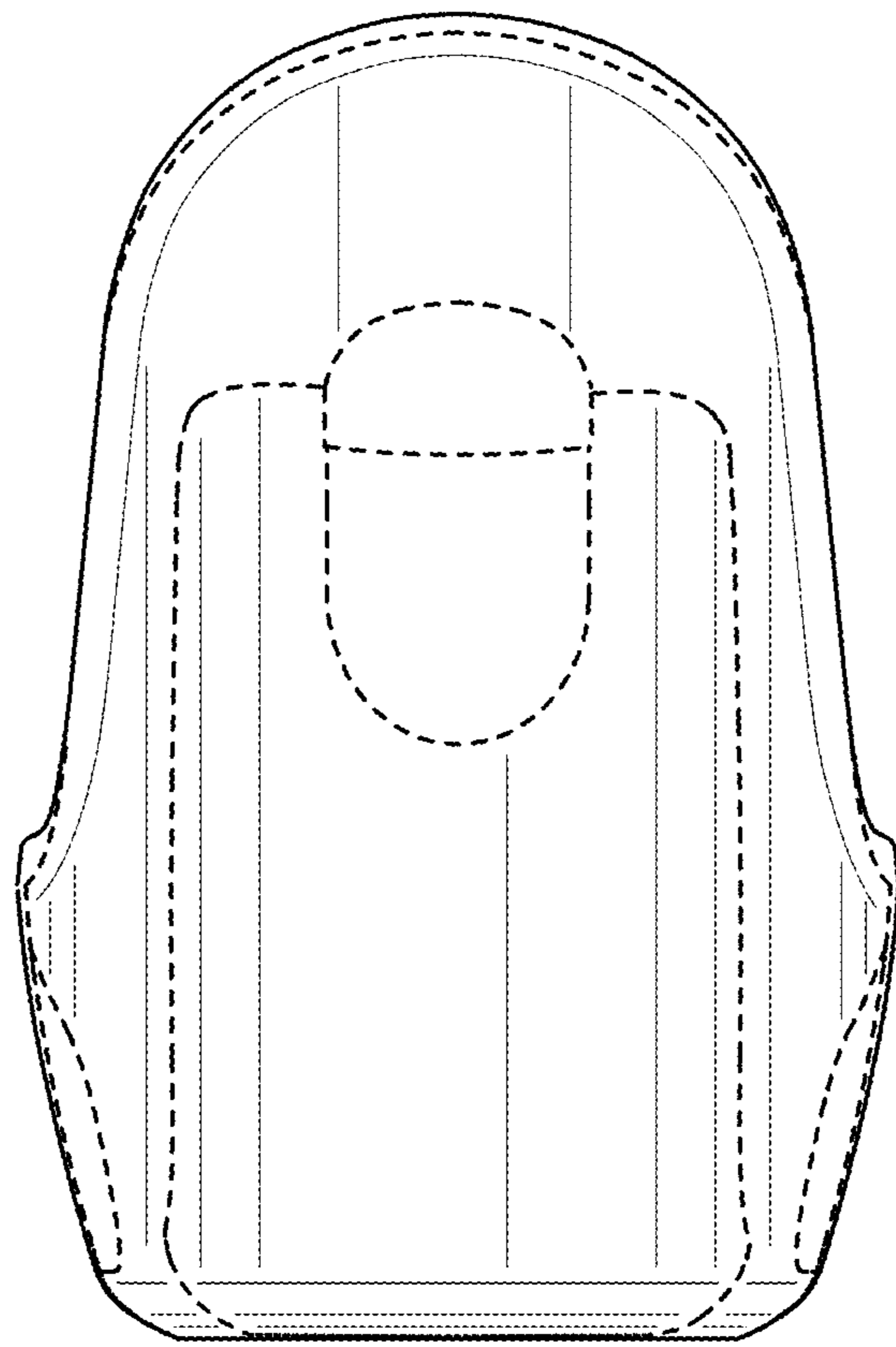


FIG. 5

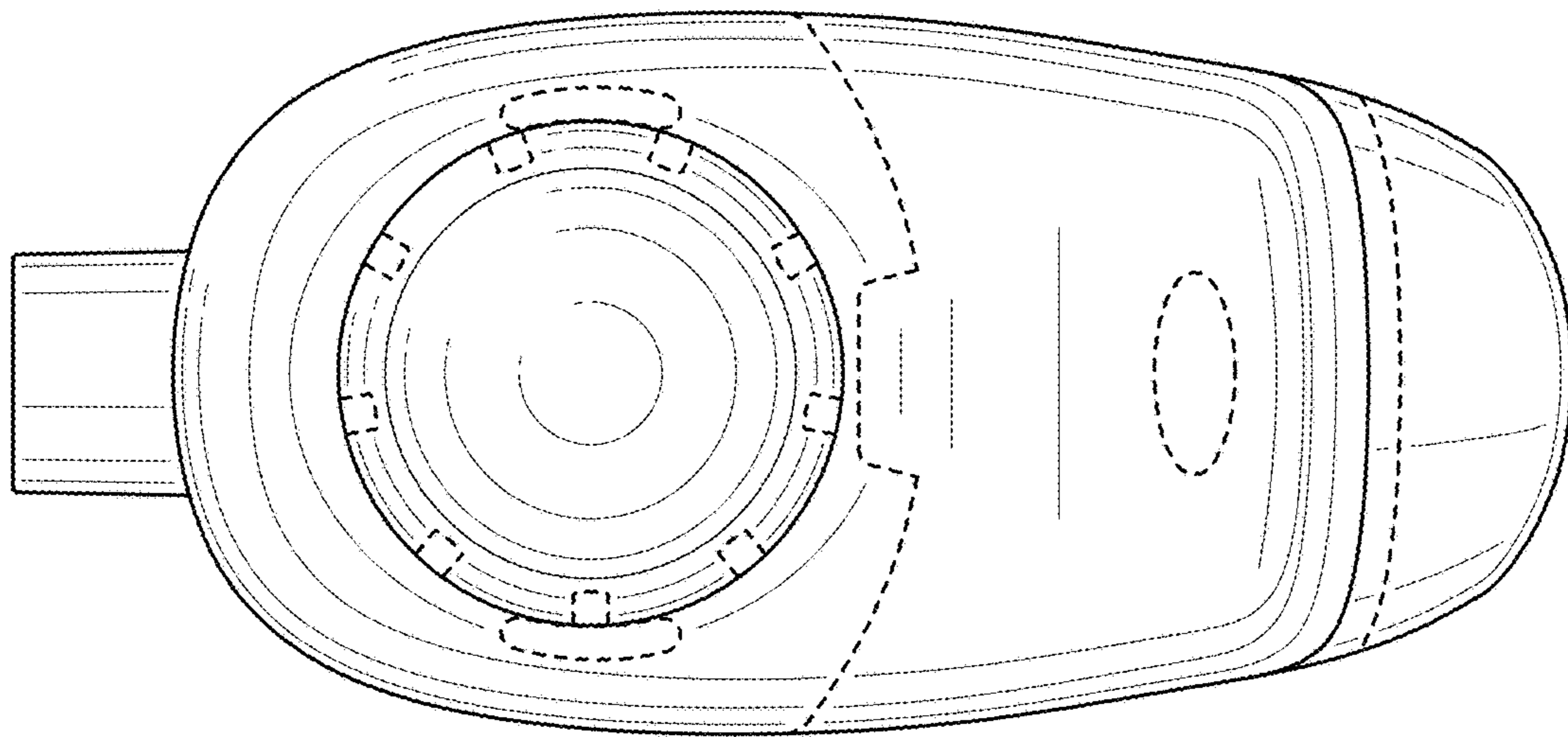


FIG. 6

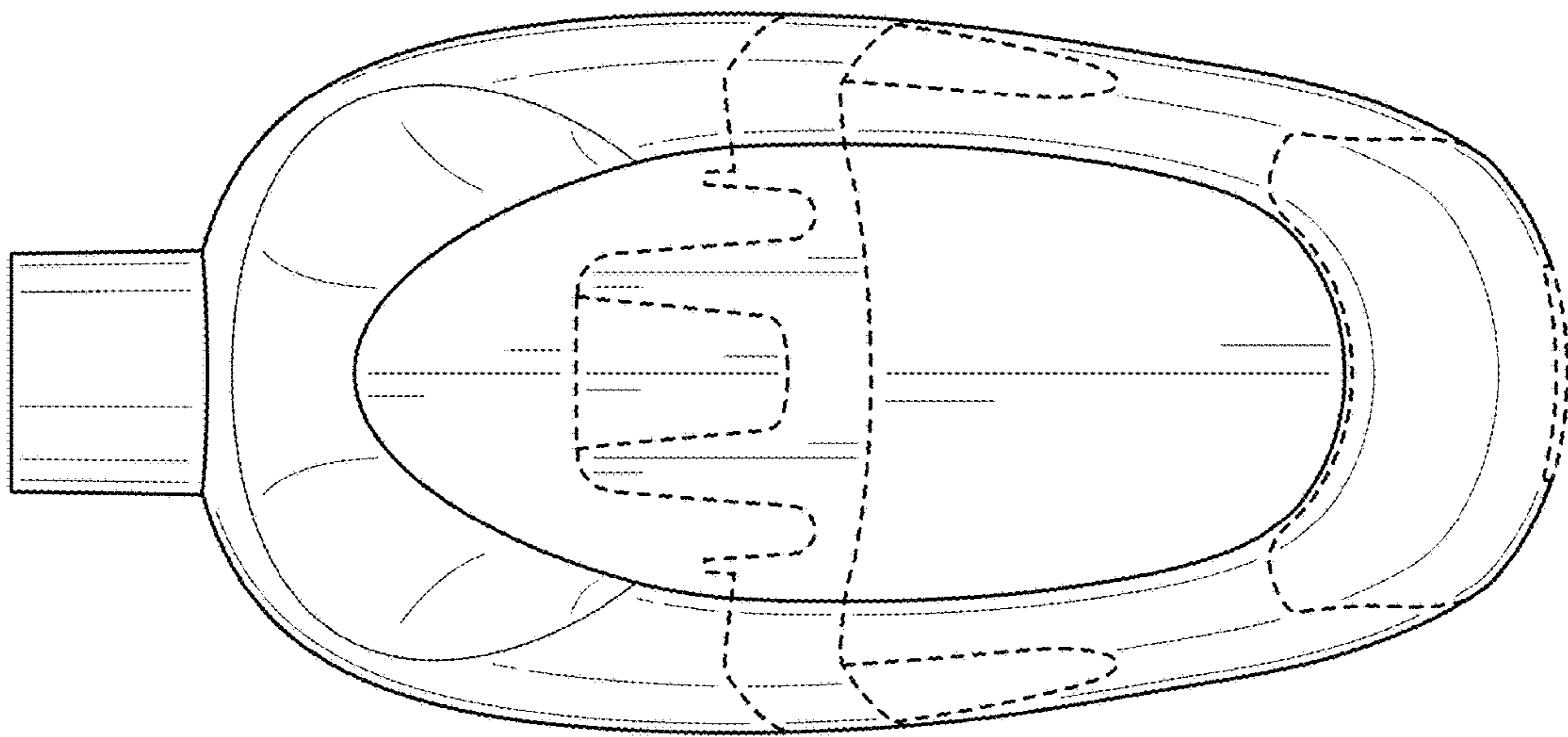


FIG. 7

UNITED STATES PATENT AND TRADEMARK OFFICE
CERTIFICATE OF CORRECTION

PATENT NO. : D773,033 S
APPLICATION NO. : 29/500250
DATED : November 29, 2016
INVENTOR(S) : Tom McPherson Allnutt

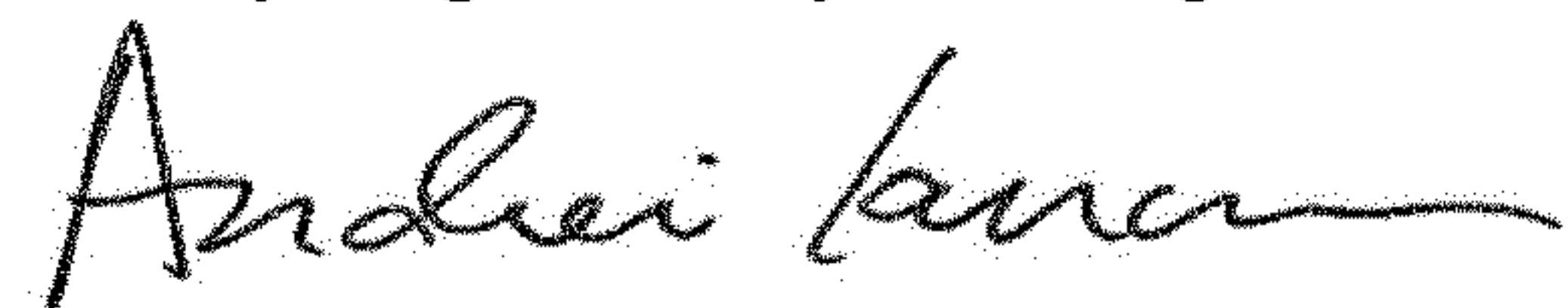
Page 1 of 1

It is certified that error appears in the above-identified patent and that said Letters Patent is hereby corrected as shown below:

On the Title Page

Column 1, Line 4, (73) Assignee: please correct the following "PARI Pharma GmbH, Inc." to -- PARI
Pharma GmbH --

Signed and Sealed this
Twenty-eighth Day of August, 2018



Andrei Iancu
Director of the United States Patent and Trademark Office