



US00D773032S

(12) **United States Design Patent** (10) **Patent No.:** **US D773,032 S**
Palmborg et al. (45) **Date of Patent:** **** Nov. 29, 2016**

(54) **EARPLUG**

D492,991 S * 7/2004 Chiang D24/106
D511,381 S * 11/2005 Chiang D24/106

(71) Applicant: **Doppler Labs, Inc.**, New York, NY (US)

* cited by examiner

(72) Inventors: **Nils Jacob Palmborg**, Brooklyn, NY (US); **Andrew Everett McIntyre**, Brooklyn, NY (US); **James Dexter Tickle**, Moorpark, CA (US); **Chris Caronna**, Ventura, CA (US)

Primary Examiner — Ian Simmons
Assistant Examiner — Richelle G Shelton
(74) *Attorney, Agent, or Firm* — Van Pelt, Yi & James LLP

(73) Assignee: **Doppler Labs, Inc.**, San Francisco, CA (US)

(57) **CLAIM**
The ornamental design for an earplug, as shown and described.

(**) Term: **14 Years**

(21) Appl. No.: **29/511,940**

DESCRIPTION

(22) Filed: **Dec. 15, 2014**

(51) **LOC (10) Cl.** **24-04**

(52) **U.S. Cl.**
USPC **D24/106**

(58) **Field of Classification Search**
USPC D24/106, 173, 174; D14/205, 206, 223; D29/112

CPC .. A61F 11/08; A61F 2011/085; A61F 11/10; A61F 11/12

See application file for complete search history.

A portion of the disclosure of this patent document contains material which a claim for copyright is made. The copyright owner has no objection to the facsimile reproduction by anyone of the patent document or the patent disclosure, as it appears in the Patent and Trademark Office patent files or records, but reserves all other copyrights whatsoever.
FIG. 1 is a front, top and right side perspective view of an earplug showing our new design.
FIG. 2 is a rear, bottom and right side perspective view thereof.
FIG. 3 is a front elevation view thereof.
FIG. 4 is a rear elevation view thereof.
FIG. 5 is a right side elevation view thereof.
FIG. 6 is a left side elevation view thereof.
FIG. 7 is a top plan view thereof; and,
FIG. 8 is a bottom plan view thereof.
The broken line showing and all within of portions of the earplug form no part of the claimed design.

(56) **References Cited**

U.S. PATENT DOCUMENTS

D89,947 S * 5/1933 Cohn D24/106
3,415,246 A * 12/1968 Hill A61F 11/08
128/864
5,881,729 A * 3/1999 Castillo A61F 11/08
128/864

1 Claim, 4 Drawing Sheets

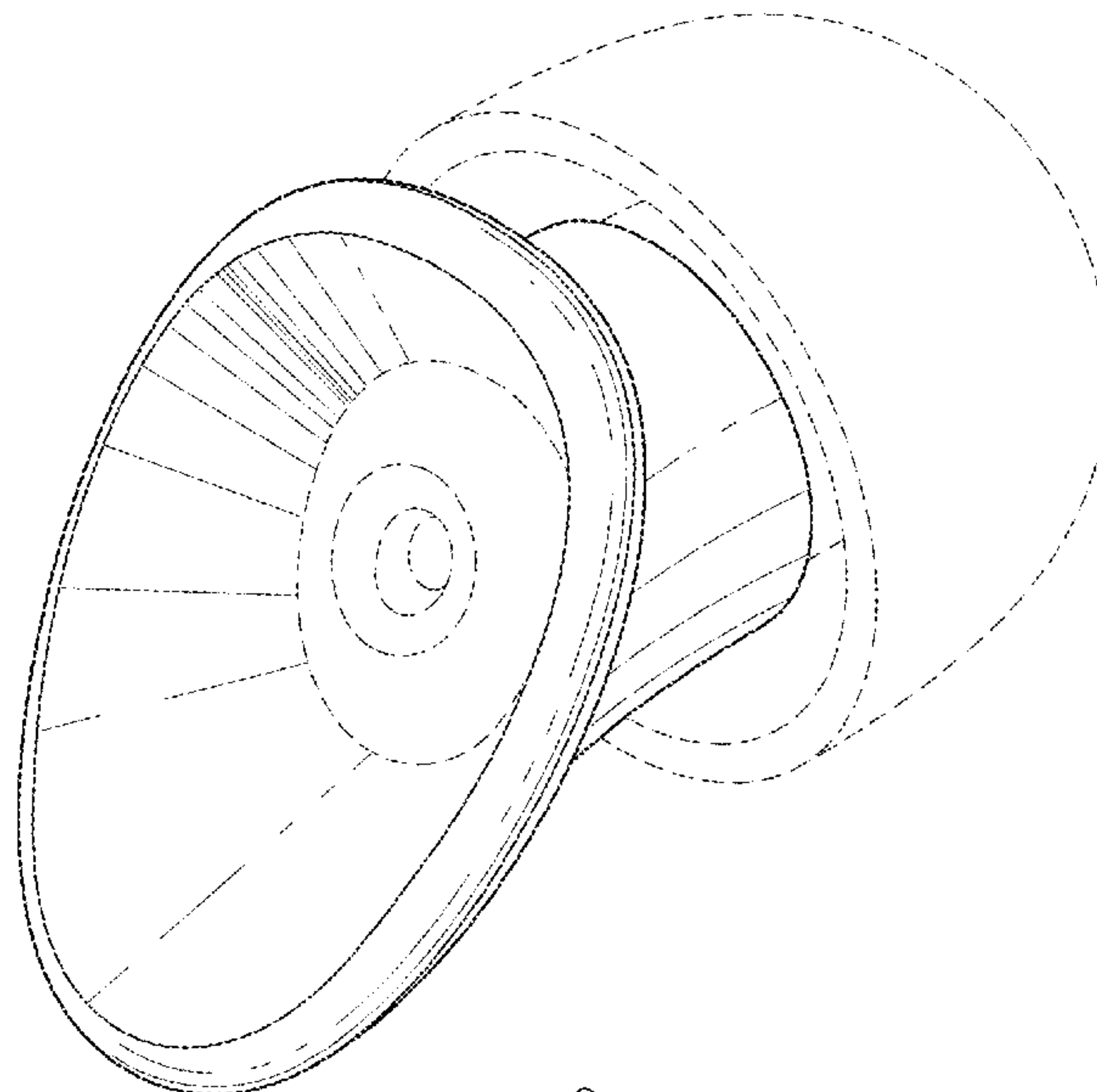


FIG. 1

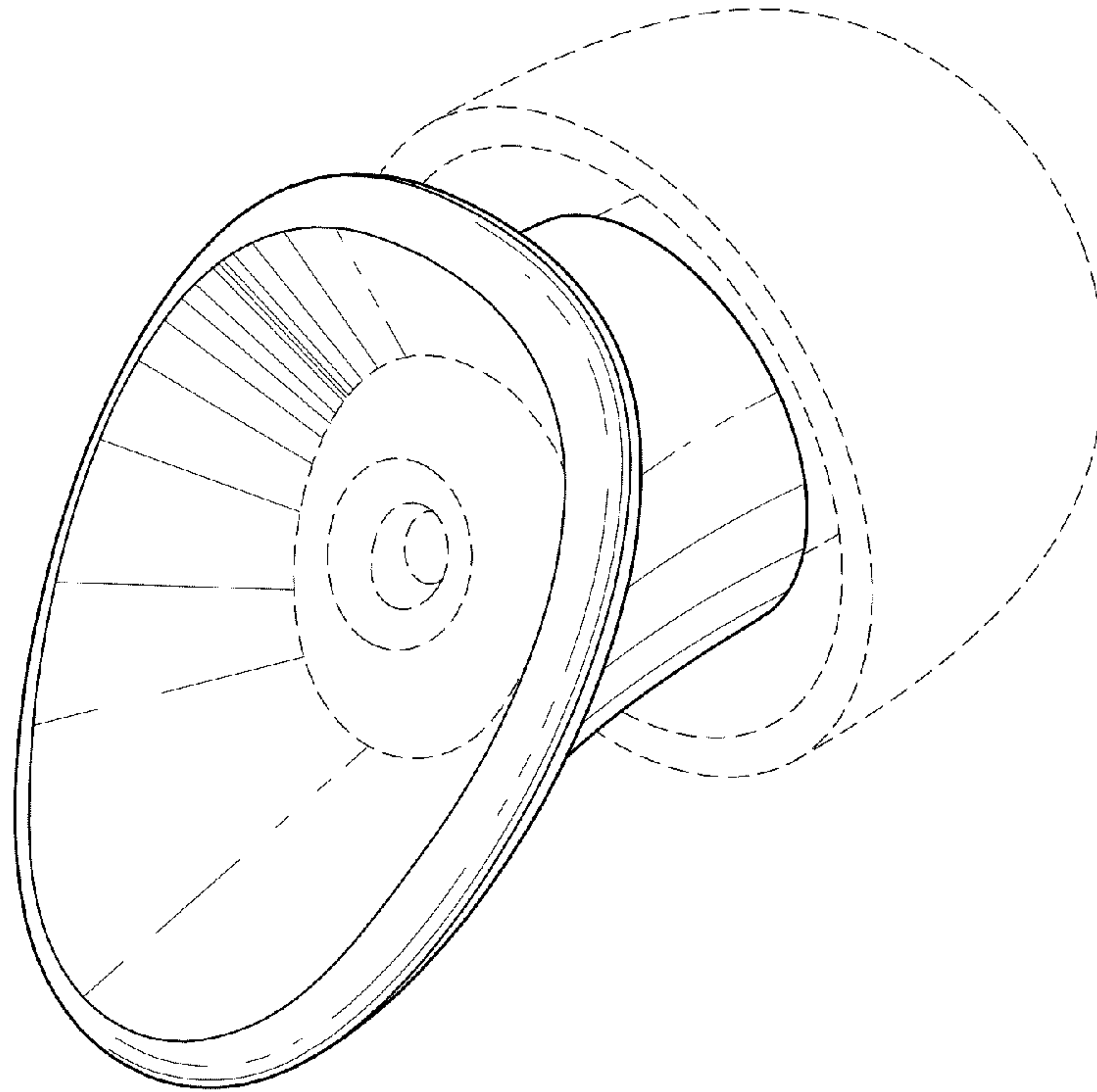


FIG. 2

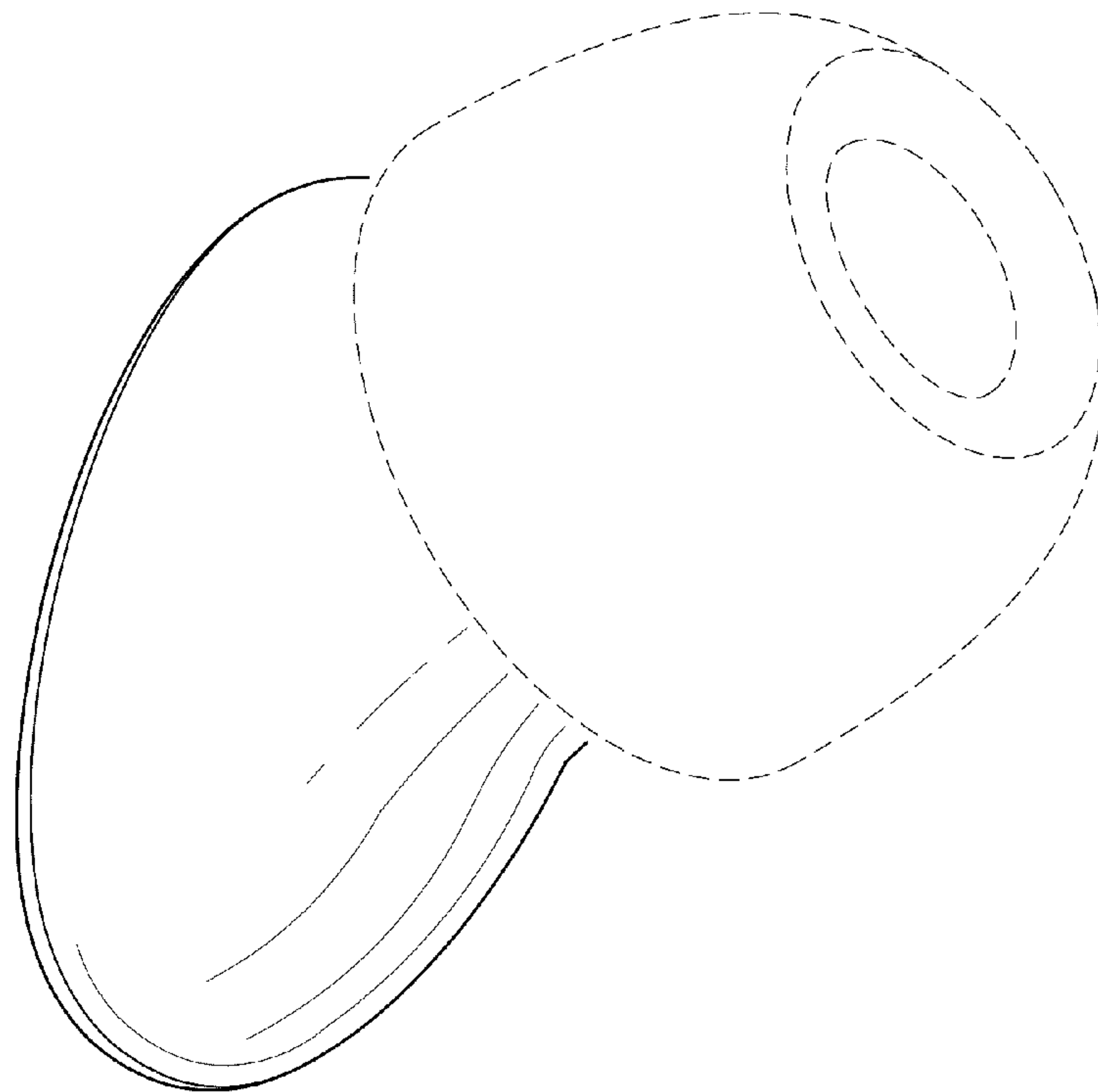


FIG. 3

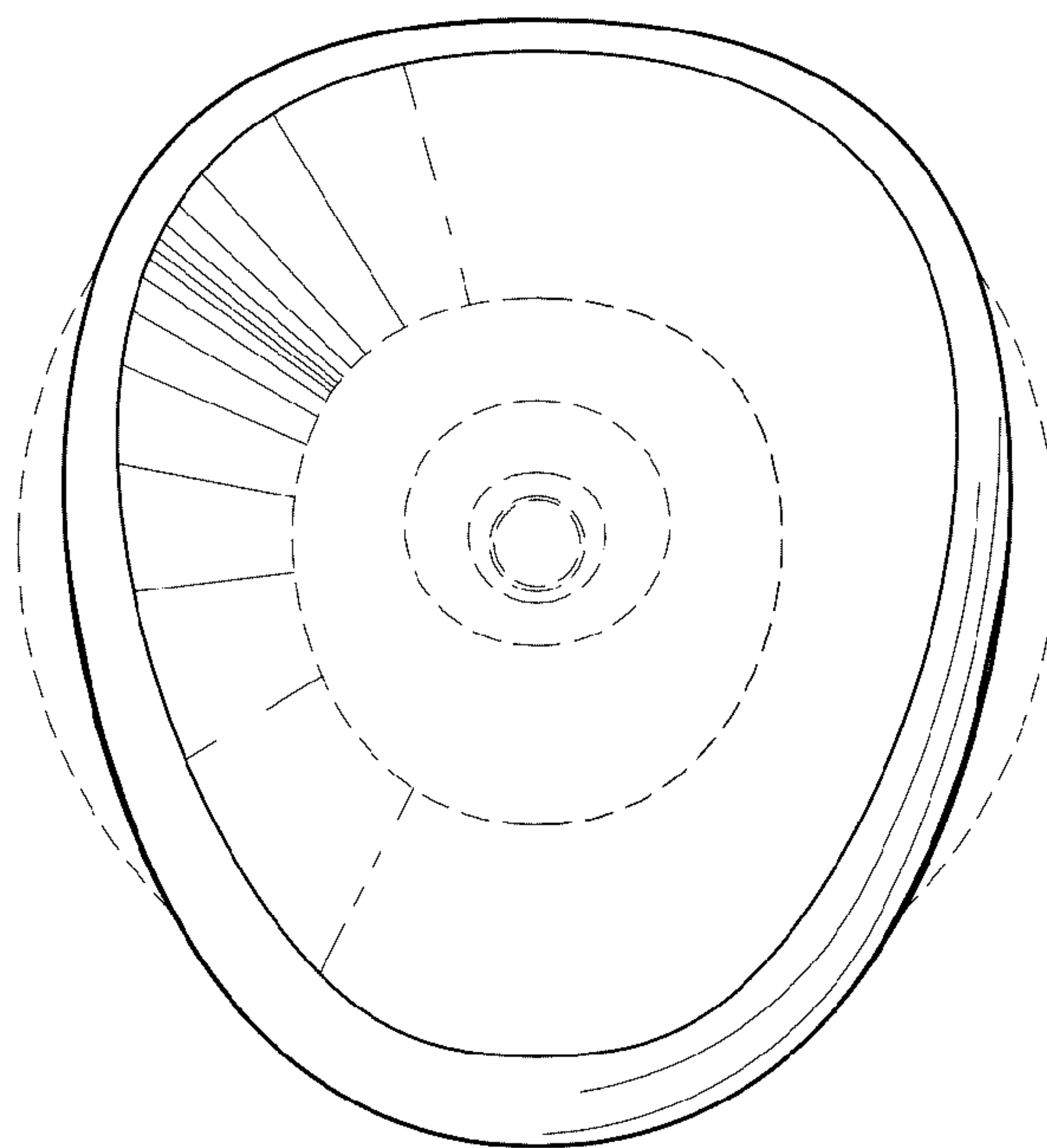


FIG. 4

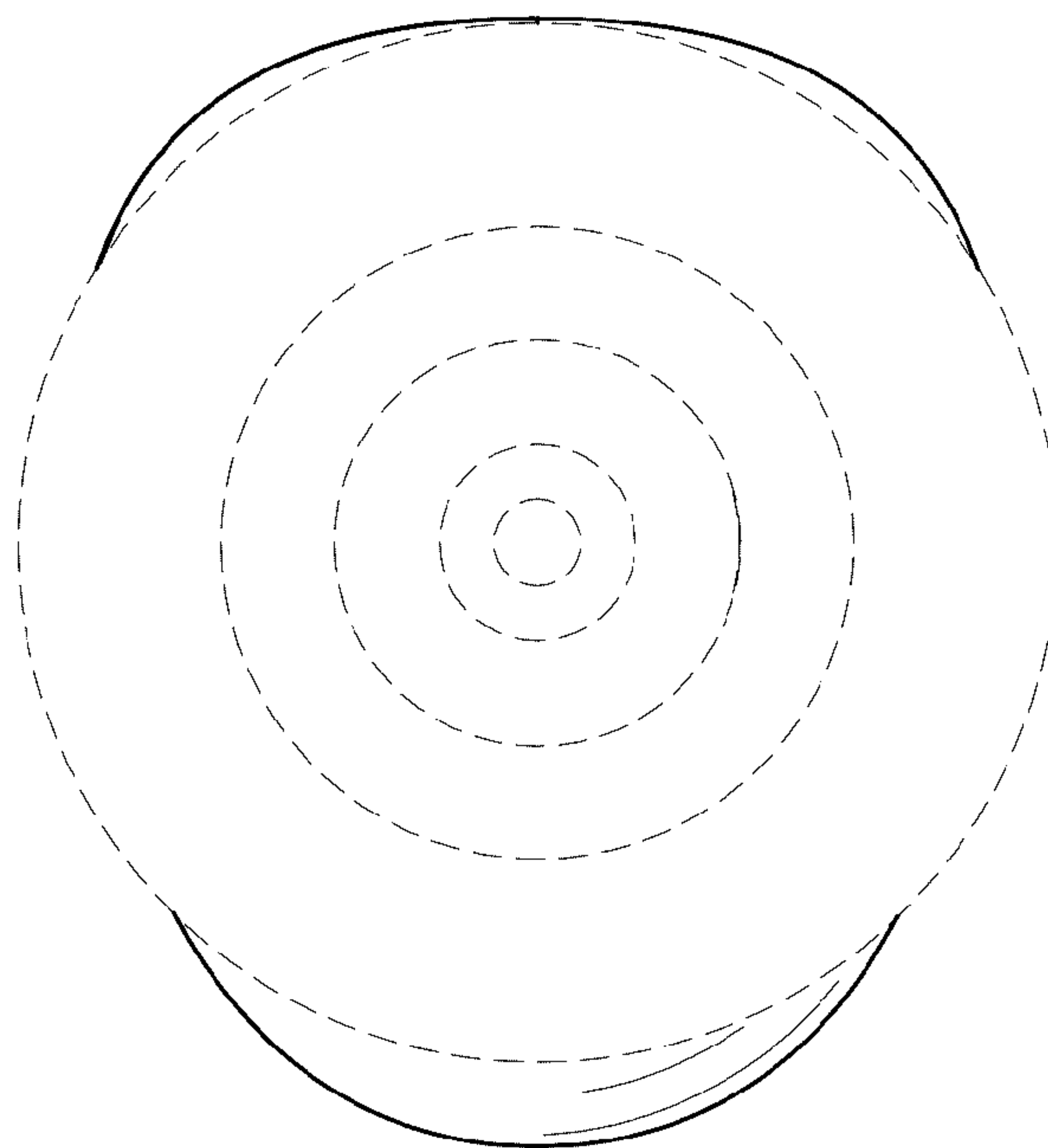


FIG. 5

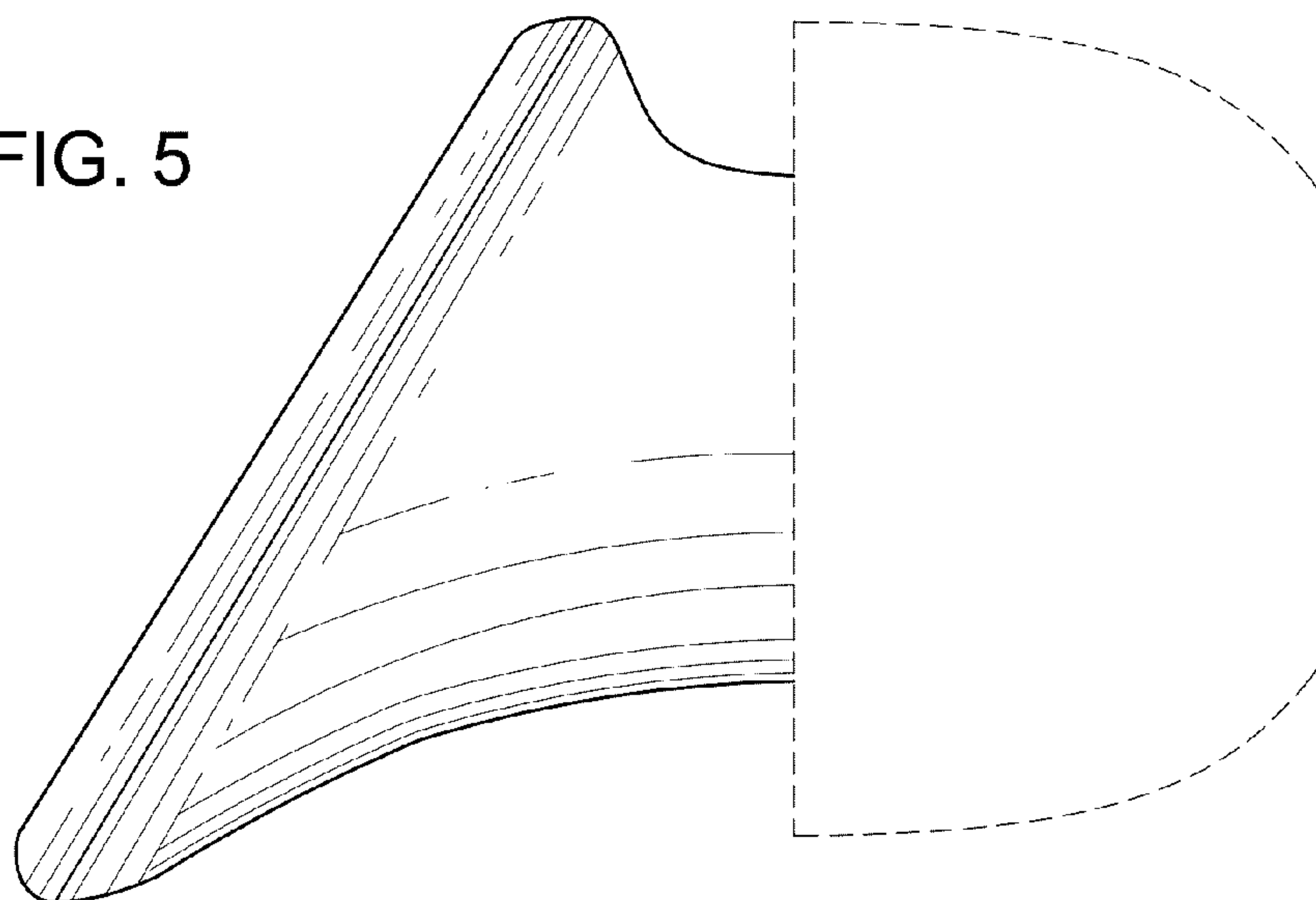
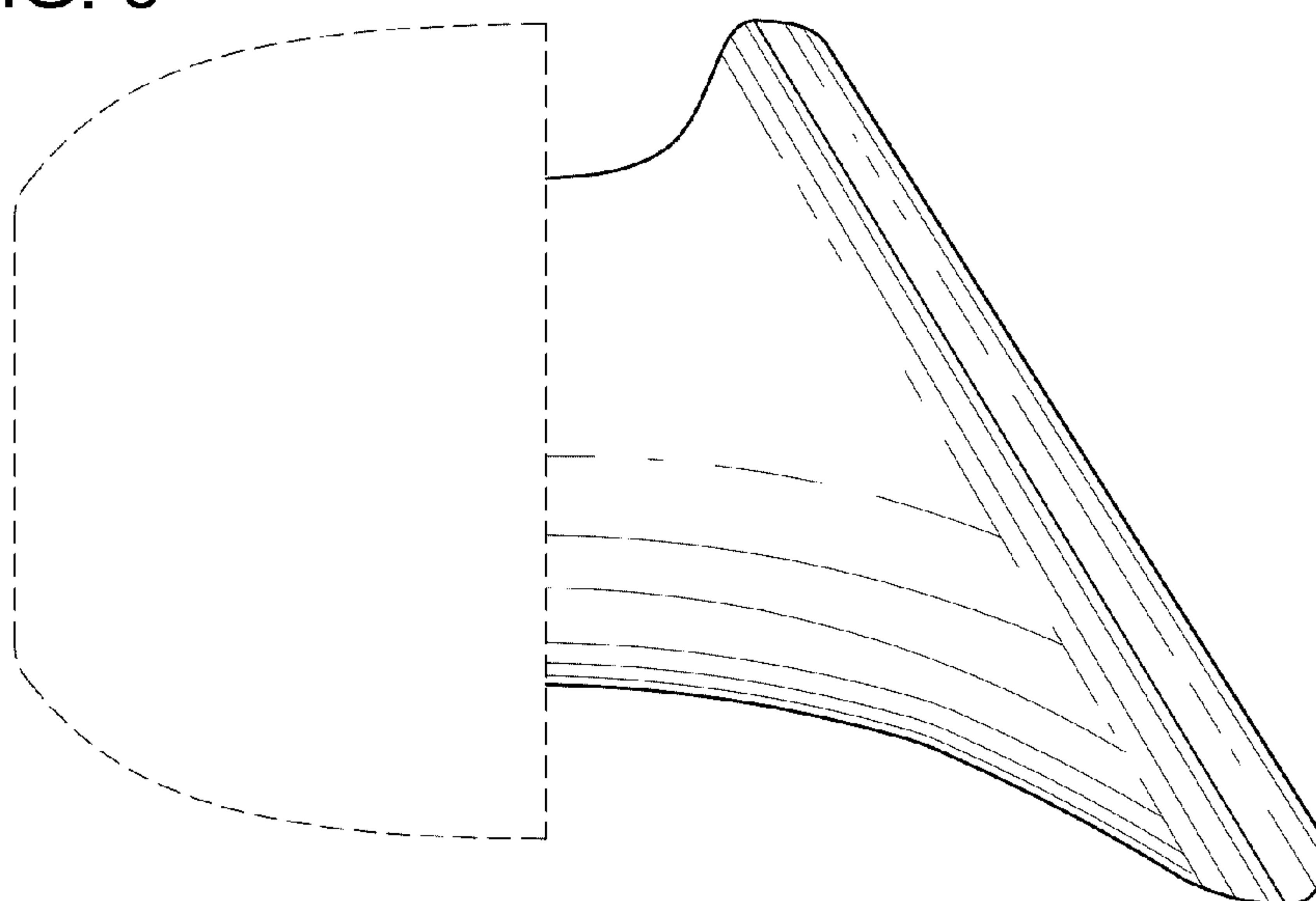


FIG. 6



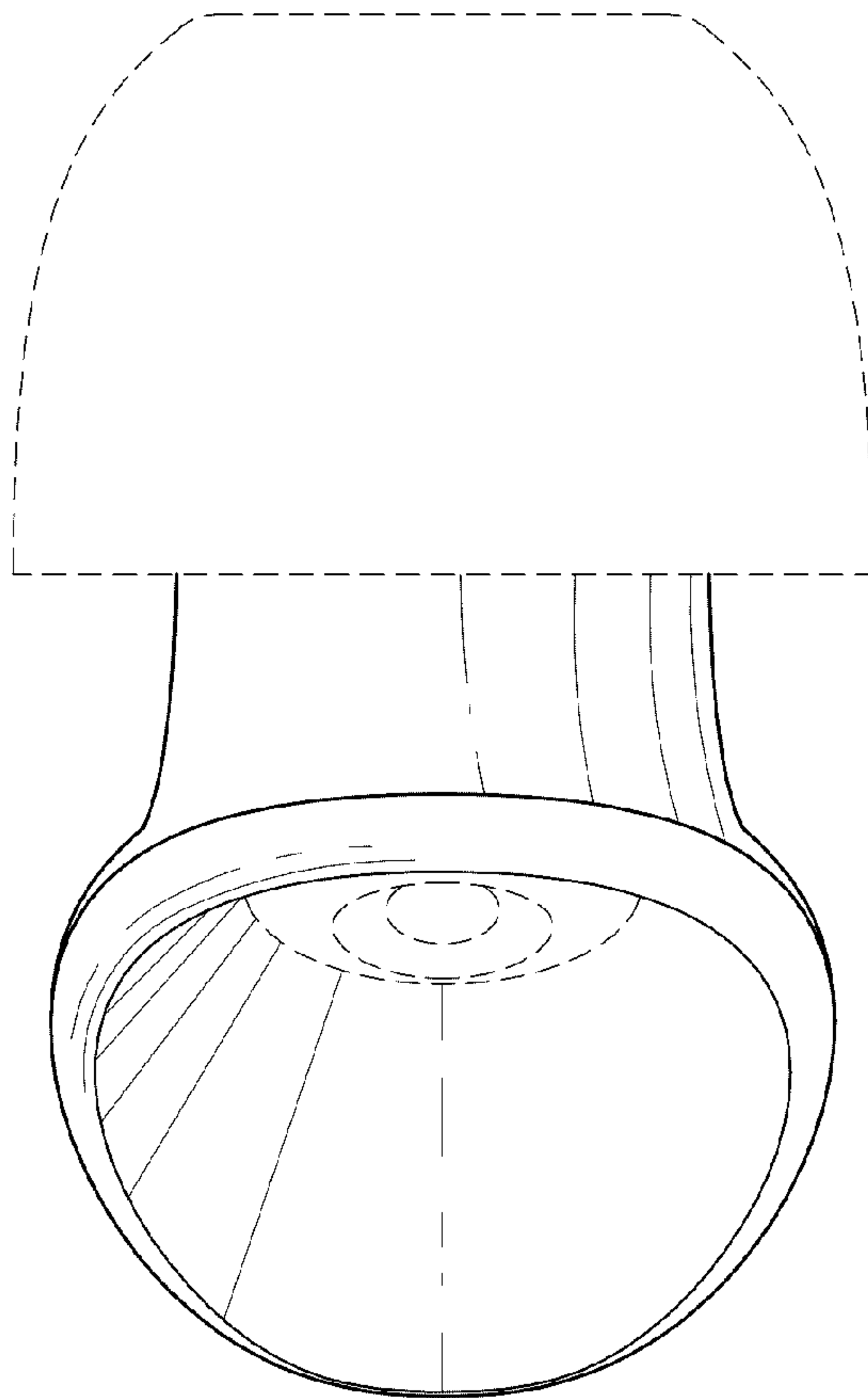


FIG. 7

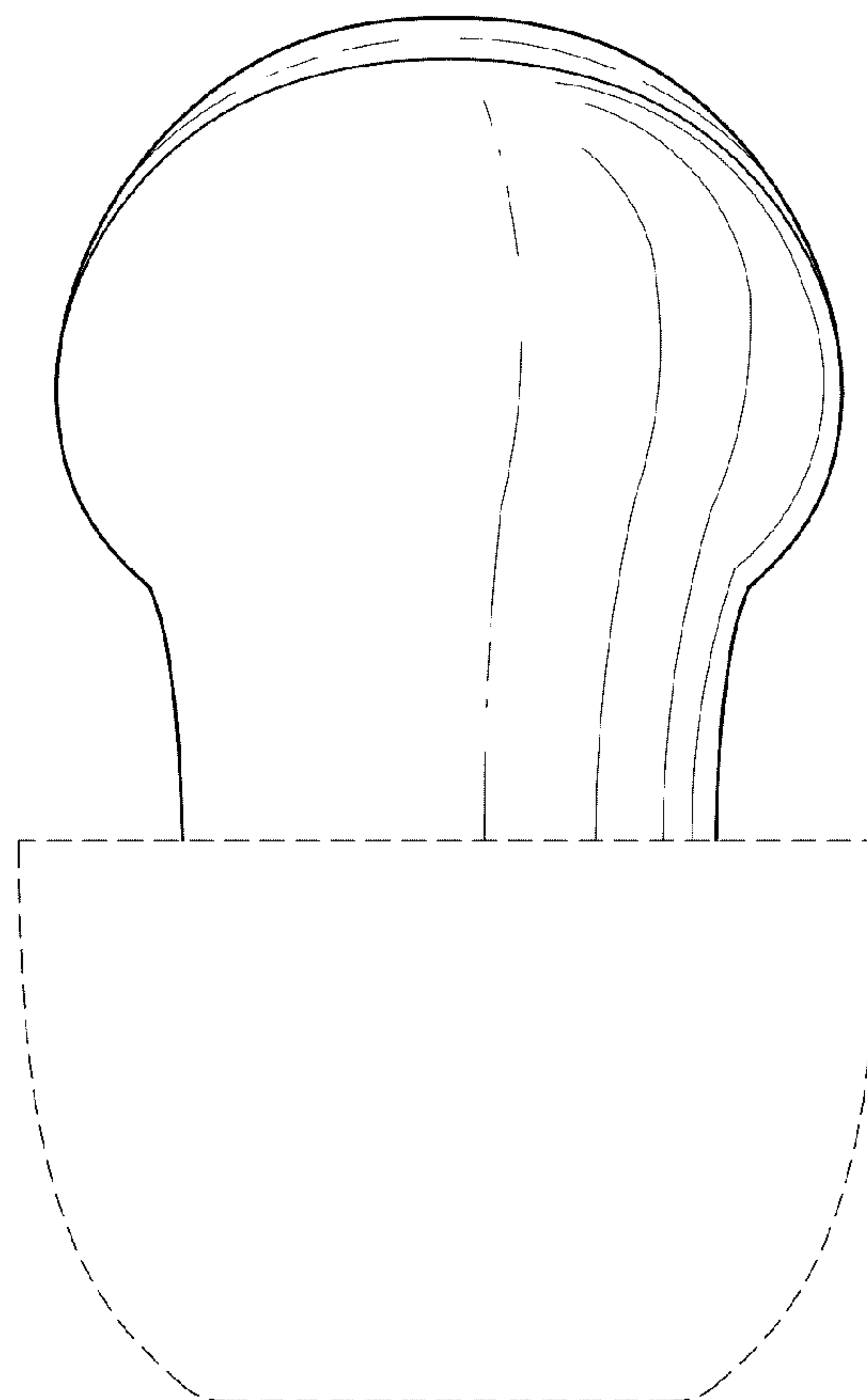


FIG. 8