



US00D773031S

(12) **United States Design Patent** (10) **Patent No.:** **US D773,031 S**  
**Chan** (45) **Date of Patent:** **\*\* Nov. 29, 2016**

(54) **BLOWER HOUSING**

D585,972 S \* 2/2009 Allen ..... D23/383  
D693,916 S \* 11/2013 Meier ..... D23/383  
D703,303 S \* 4/2014 Ruck ..... D23/370

(71) Applicant: **Jayden International, Inc.**, Santa Fe Springs, CA (US)

\* cited by examiner

(72) Inventor: **Yuen Hei Chan**, Santa Fe Springs, CA (US)

*Primary Examiner* — Cynthia Underwood

(74) *Attorney, Agent, or Firm* — Mark P. Walters; Lowe Graham Jones PLLC

(73) Assignee: **Jayden International, Inc.**, Santa Fe Springs, CA (US)

(57) **CLAIM**

I claim the ornamental design for the blower housing, as shown and described.

(\*\*) Term: **15 Years**

**DESCRIPTION**

(21) Appl. No.: **29/538,268**

(22) Filed: **Sep. 2, 2015**

(51) **LOC (10) Cl.** ..... **23-04**

(52) **U.S. Cl.**  
USPC ..... **D23/383**

(58) **Field of Classification Search**  
USPC ..... D23/370, 355, 314, 414, 371, 377, 385,  
D23/411, 383; 415/121.1; D14/432  
CPC .. F04D 29/329; F04D 29/526; F04D 25/082;  
F04D 29/325; F04D 29/703; F04D 29/547  
See application file for complete search history.

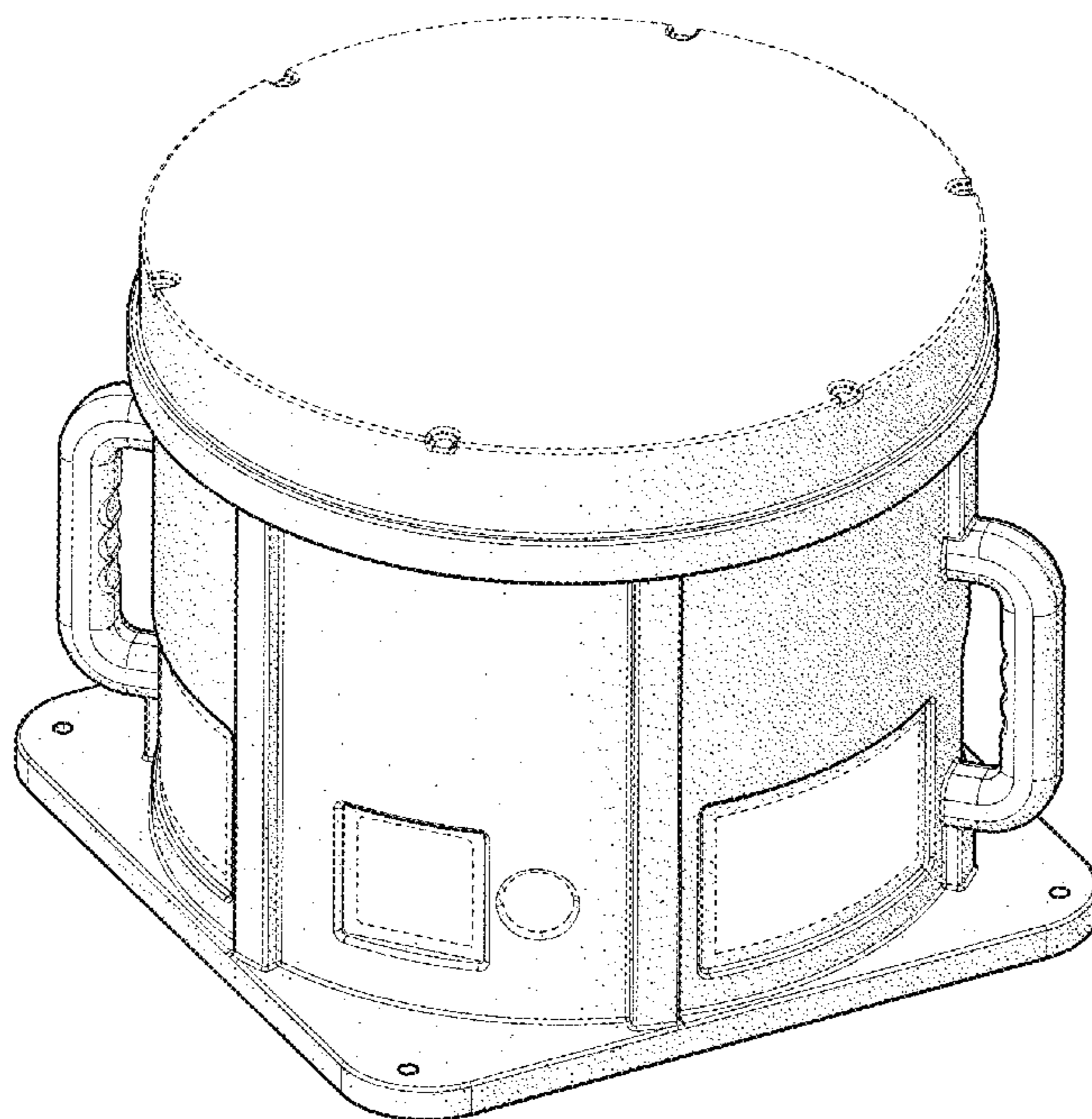
FIG. 1 is a top perspective view of the blower housing, showing my new design.  
FIG. 2 is a bottom perspective view of the blower housing, showing my new design.  
FIG. 3 is a side planar view of the blower housing, showing my new design.  
FIG. 4 is another side planar view of the blower housing, showing my new design.  
FIG. 5 is another side planar view of the blower housing, showing my new design.  
FIG. 6 is another side planar view of the blower housing, showing my new design.  
FIG. 7 is a top planar view of the blower housing, showing my new design; and,  
FIG. 8 is a bottom planar view of the blower housing, showing my new design.  
The broken lines represent environment that forms no part of the claim.

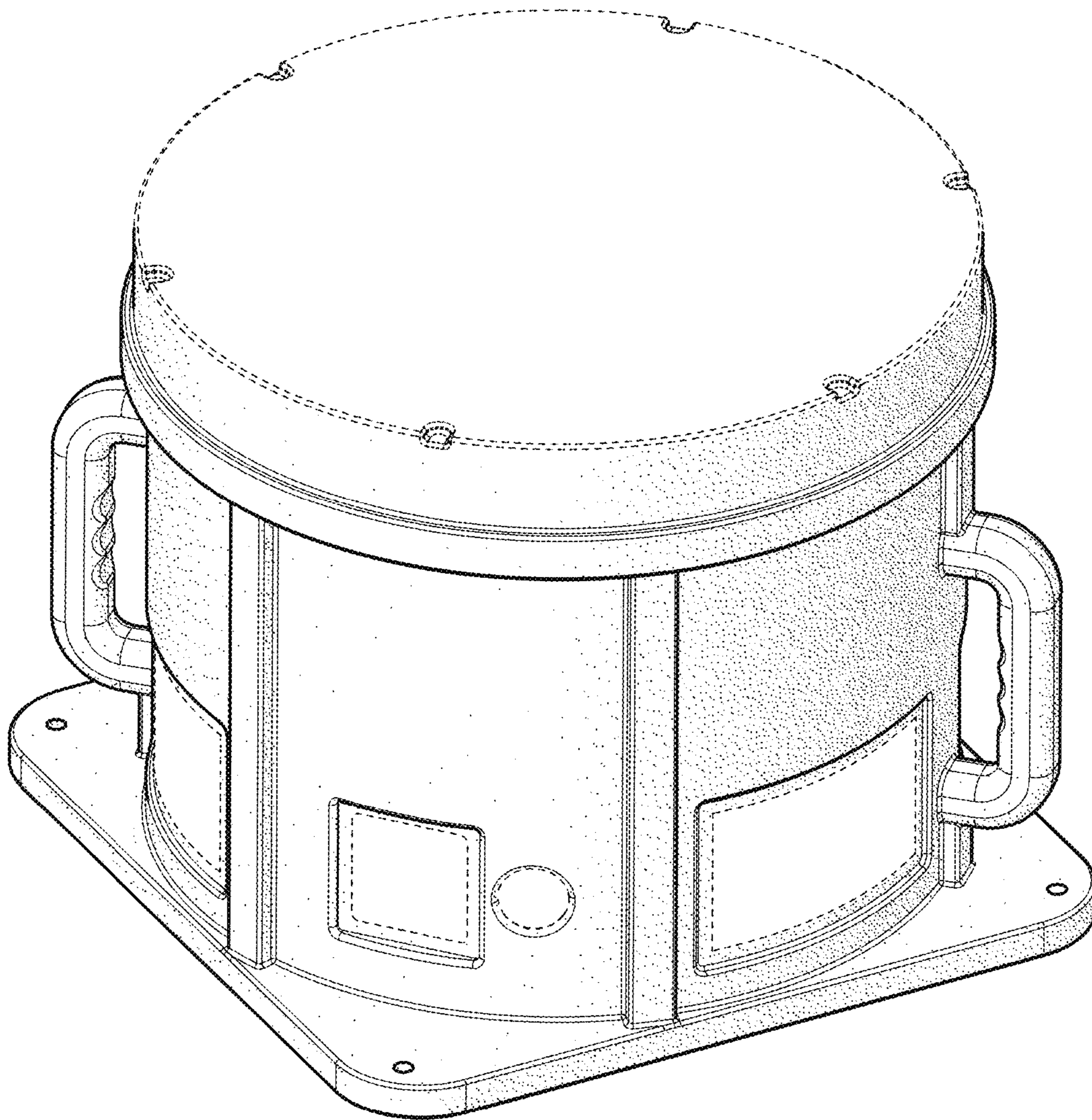
(56) **References Cited**

U.S. PATENT DOCUMENTS

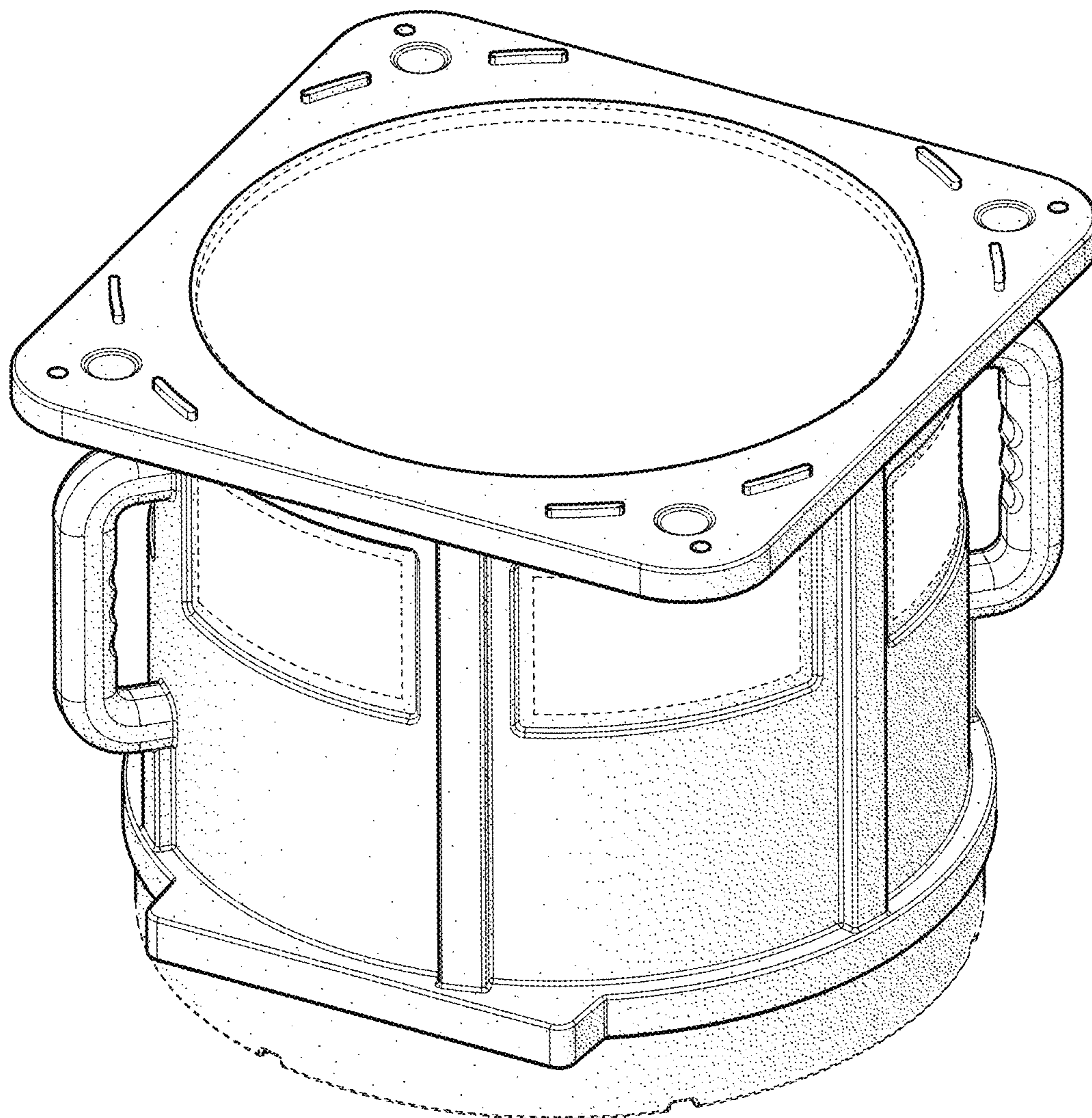
D422,351 S \* 4/2000 Griffin ..... D23/383  
D481,116 S 10/2003 Wang et al.  
D484,966 S \* 1/2004 Yamamoto ..... D23/383  
D534,269 S 12/2006 Liang  
D537,517 S 2/2007 Hancock  
D571,449 S 6/2008 Lin

**1 Claim, 6 Drawing Sheets**

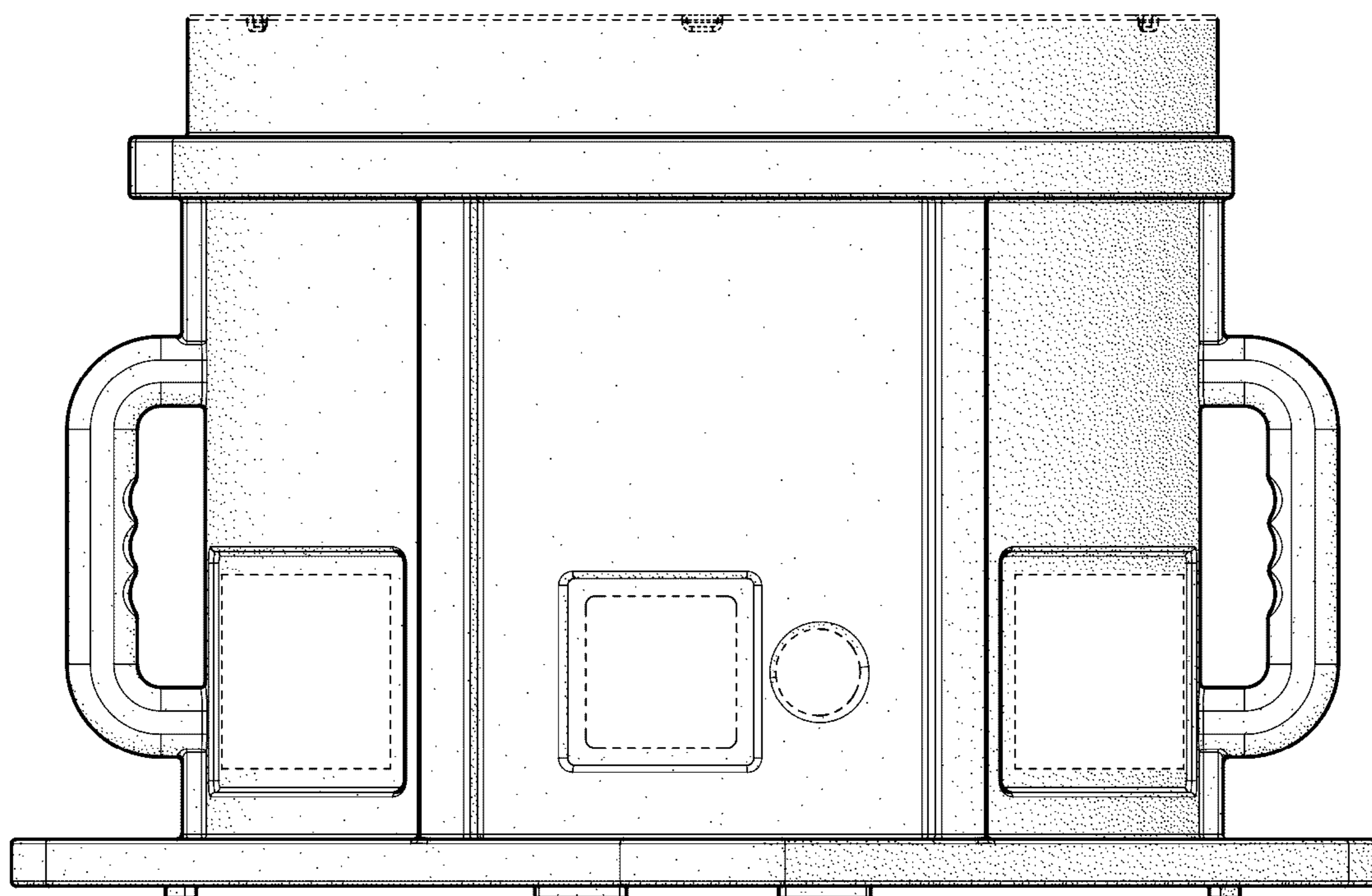




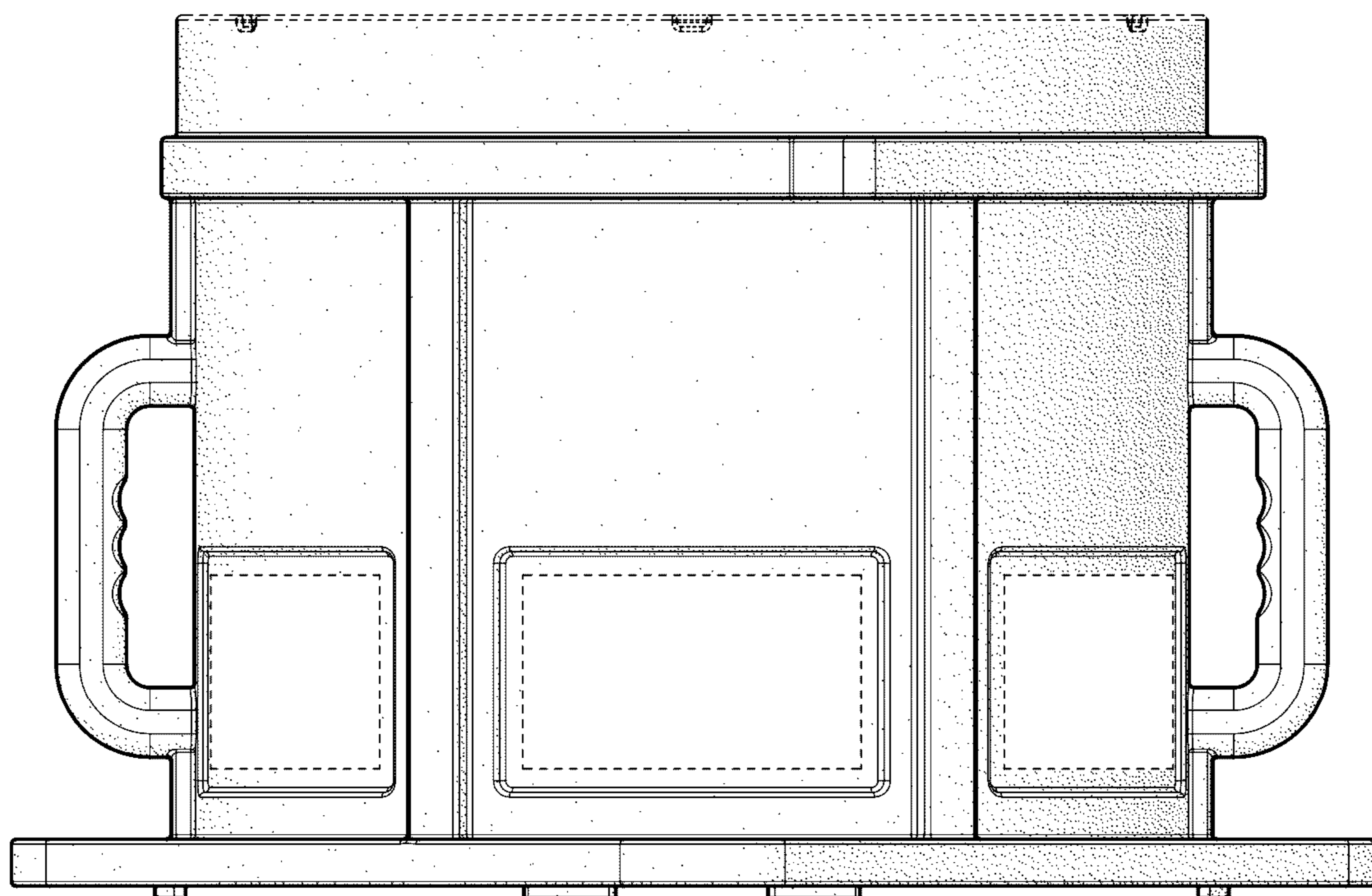
**FIG. 1**



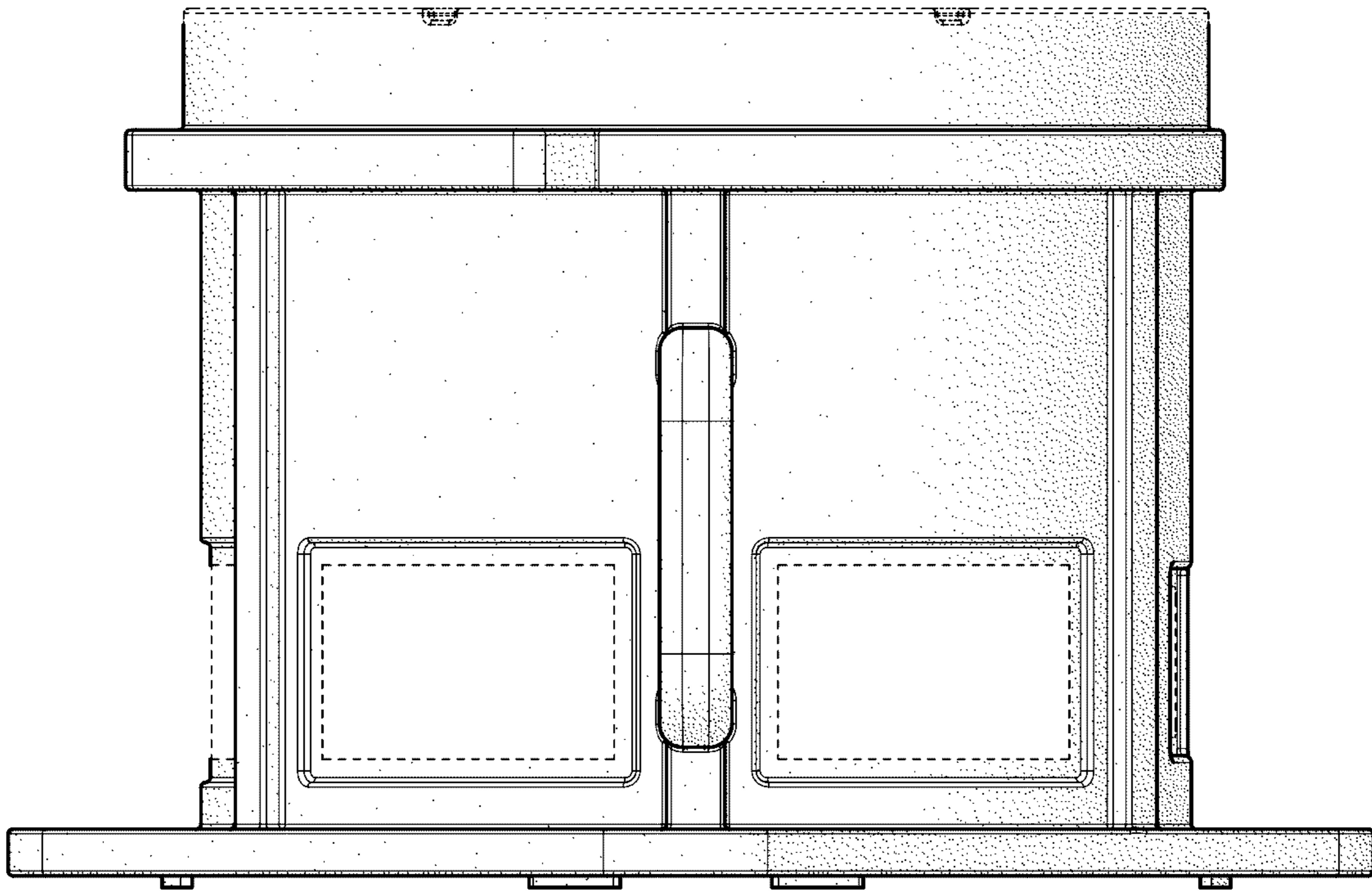
**FIG. 2**



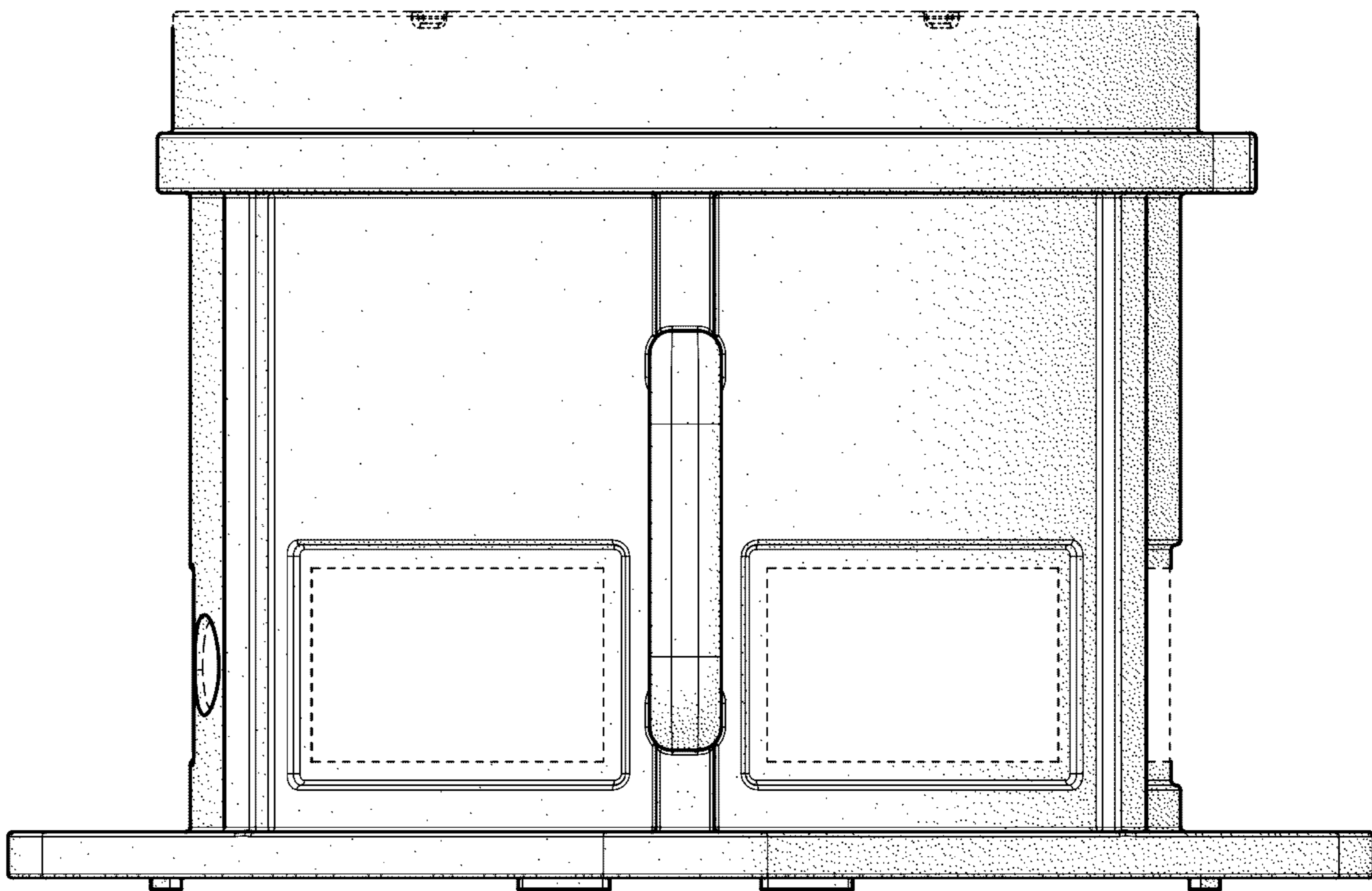
**FIG. 3**



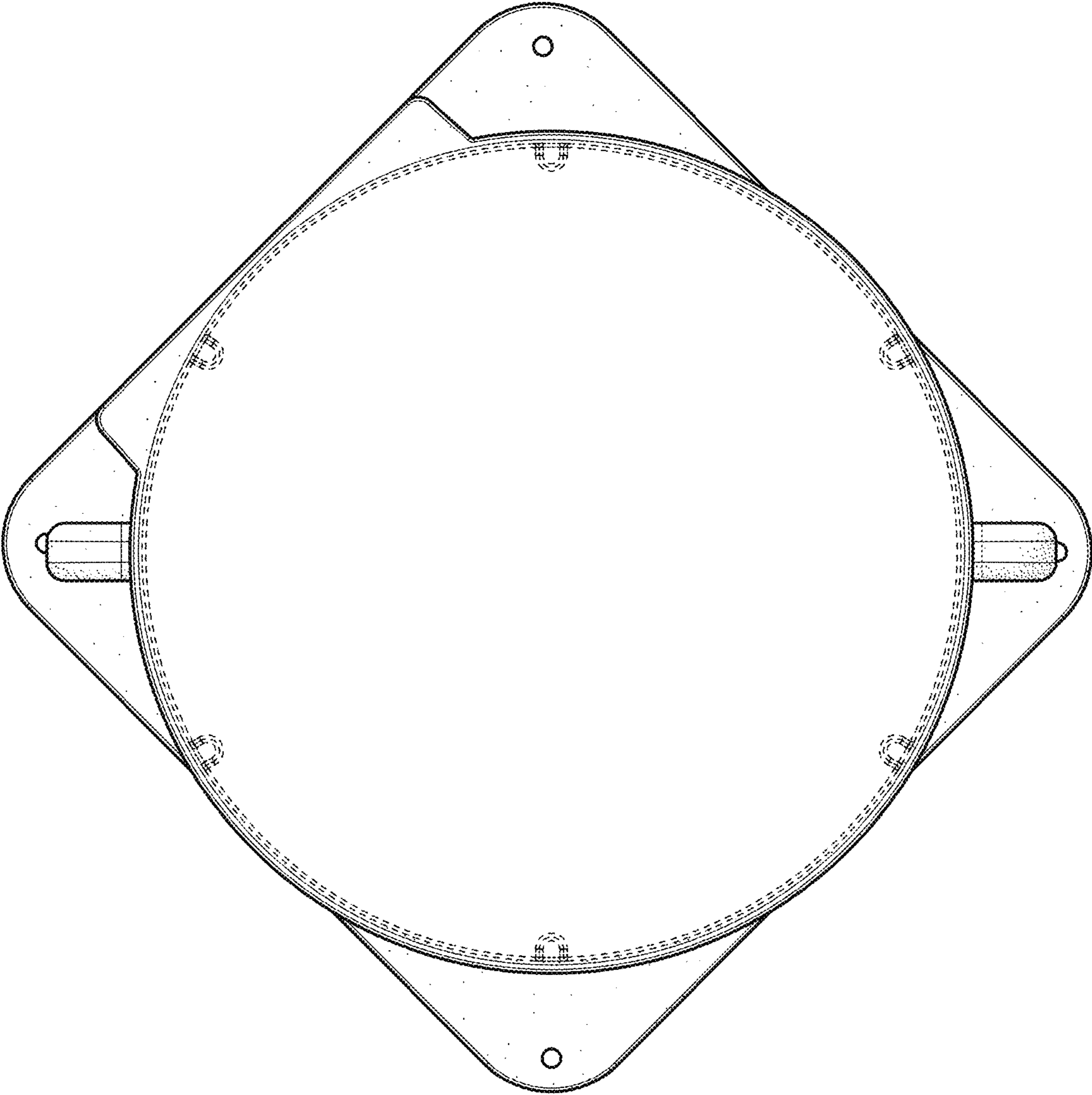
**FIG. 4**



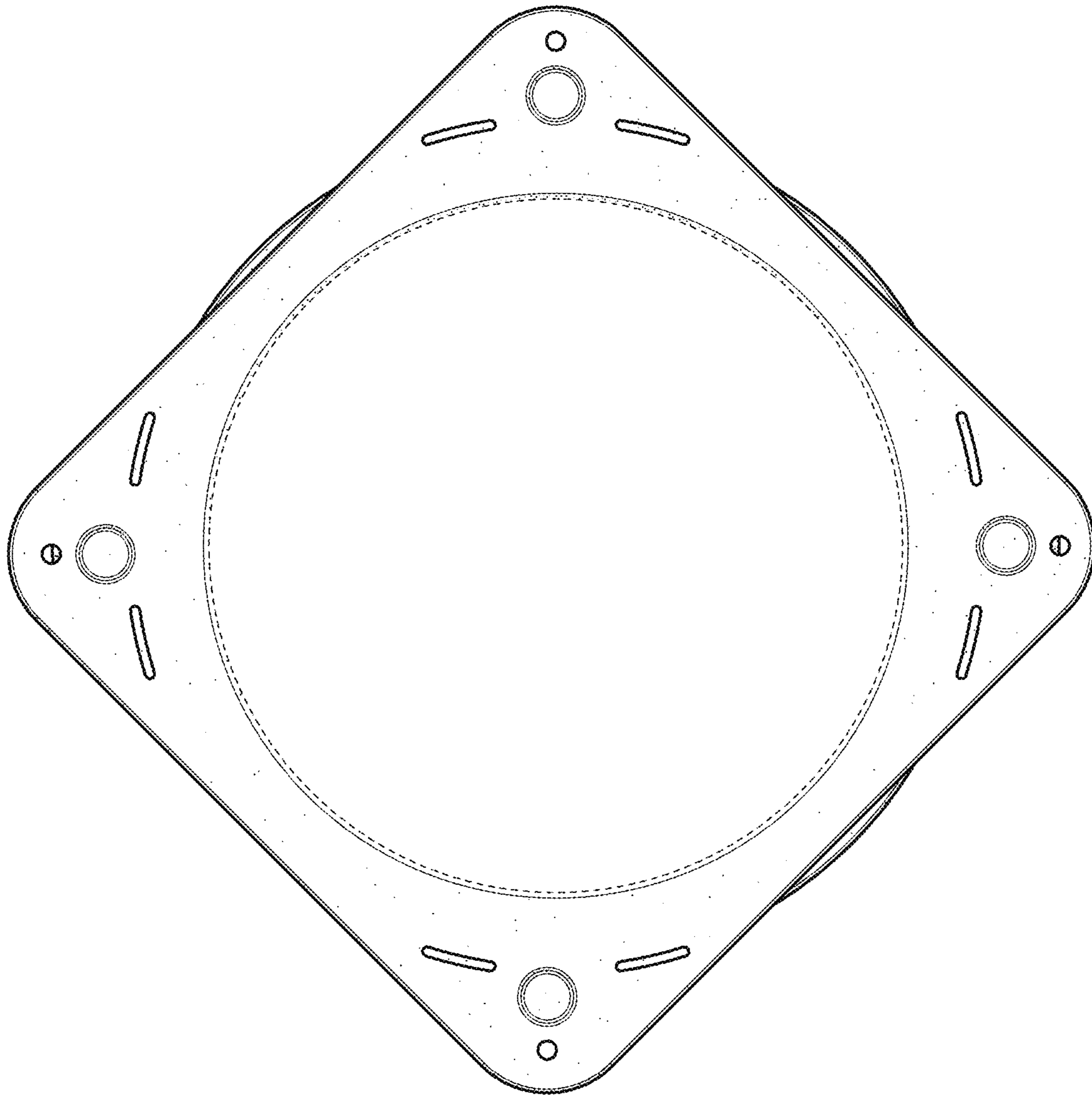
**FIG. 5**



**FIG. 6**



**FIG. 7**



**FIG. 8**