



US00D773029S

(12) **United States Design Patent**  
**Karkheck**

(10) **Patent No.:** **US D773,029 S**

(45) **Date of Patent:** **\*\* Nov. 29, 2016**

(54) **VENT**

(71) Applicant: **SolarCity Corporation**, San Mateo,  
CA (US)

(72) Inventor: **Johann Fritz Karkheck**, San Rafael,  
CA (US)

(73) Assignee: **SolarCity Corporation**, San Mateo,  
CA (US)

(\*\*) Term: **14 Years**

(21) Appl. No.: **29/523,112**

(22) Filed: **Apr. 7, 2015**

(51) **LOC (10) Cl.** ..... **23-04**

(52) **U.S. Cl.**  
USPC ..... **D23/370**

(58) **Field of Classification Search**  
USPC ..... D23/370, 355, 314, 414; 415/121.1  
CPC .. F04D 29/329; F04D 29/526; F04D 25/082;  
F04D 29/325; F04D 29/703; F04D 29/547  
See application file for complete search history.

(56) **References Cited**

**U.S. PATENT DOCUMENTS**

D188,962 S \* 10/1960 Zeiler ..... D23/376  
D524,600 S \* 7/2006 Austin ..... 219/400  
D581,032 S \* 11/2008 Parry ..... D23/260

D587,999 S \* 3/2009 Schulthess ..... D9/434  
D629,093 S \* 12/2010 Polston ..... D23/373  
D639,924 S \* 6/2011 Winkler ..... D23/370  
D701,597 S \* 3/2014 DeFilippis ..... D23/370  
D715,409 S \* 10/2014 Raimondi ..... D23/259  
D734,424 S \* 7/2015 Krechowicki ..... D23/211.1

\* cited by examiner

*Primary Examiner* — Cynthia Underwood

(74) *Attorney, Agent, or Firm* — Sterne, Kessler,  
Goldstein & Fox P.L.L.C.

(57) **CLAIM**

The ornamental design for a vent, as shown and described.

**DESCRIPTION**

FIG. 1 is a top front perspective view of a vent showing my new design;

FIG. 2 is a top view thereof;

FIG. 3 is a bottom view thereof;

FIG. 4 is a left side view thereof;

FIG. 5 is a right side view thereof;

FIG. 6 is a front view thereof; and,

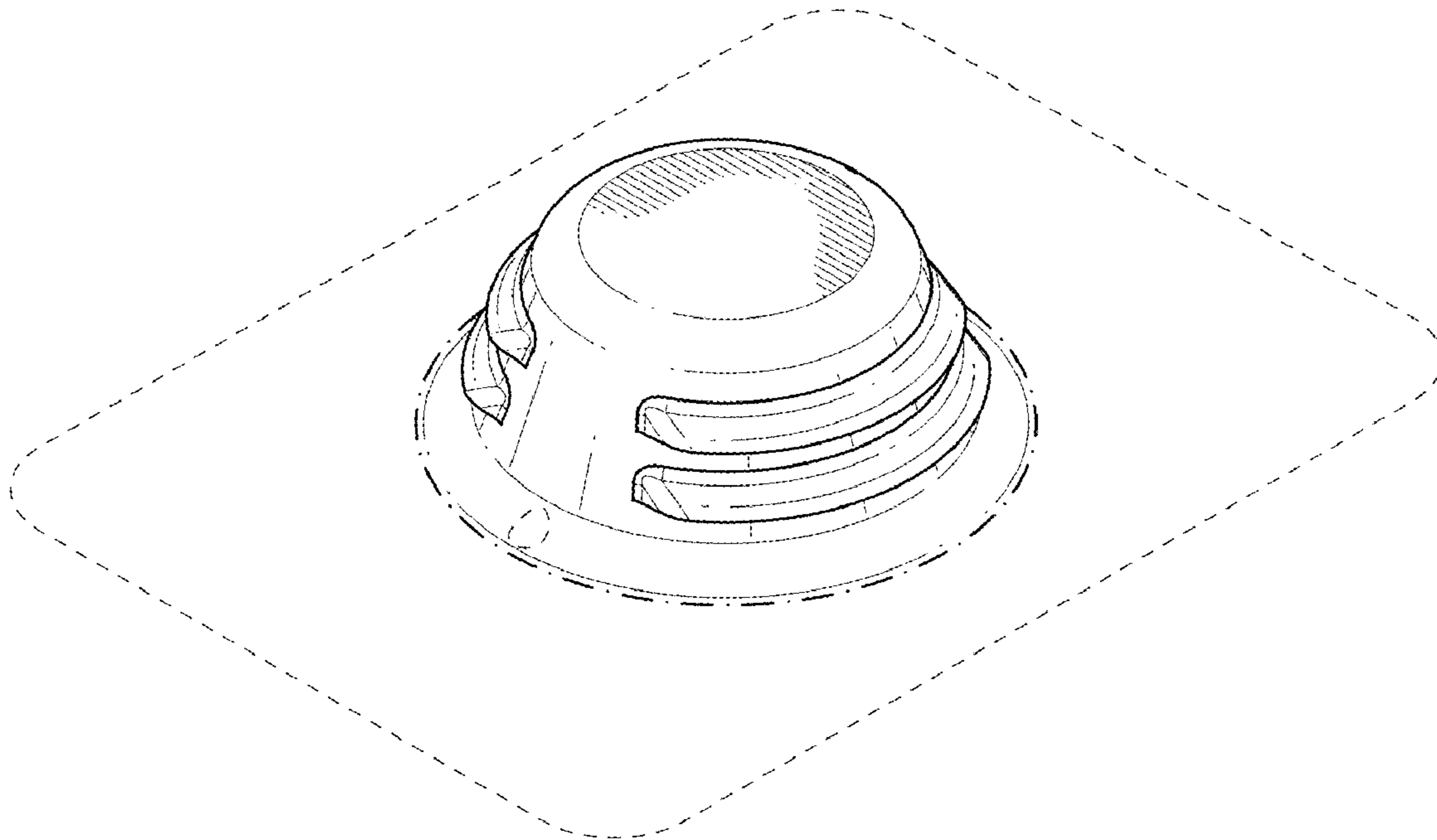
FIG. 7 is a rear view thereof.

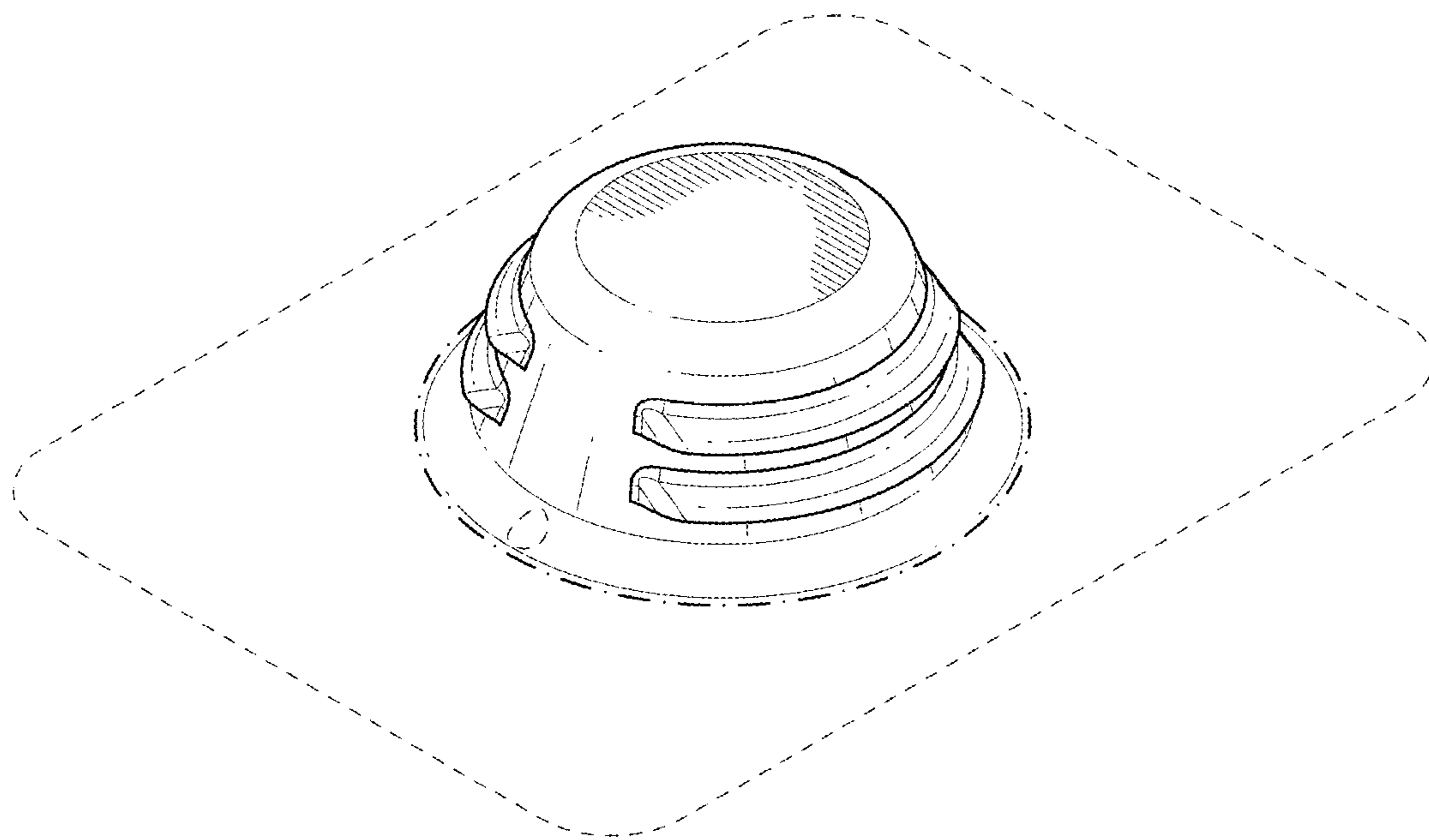
The dashed broken lines in the figures show portions of the vent that form no part of the claimed design.

The dot-dash broken lines in the figures show boundaries of the claimed design that form no part of the claimed design.

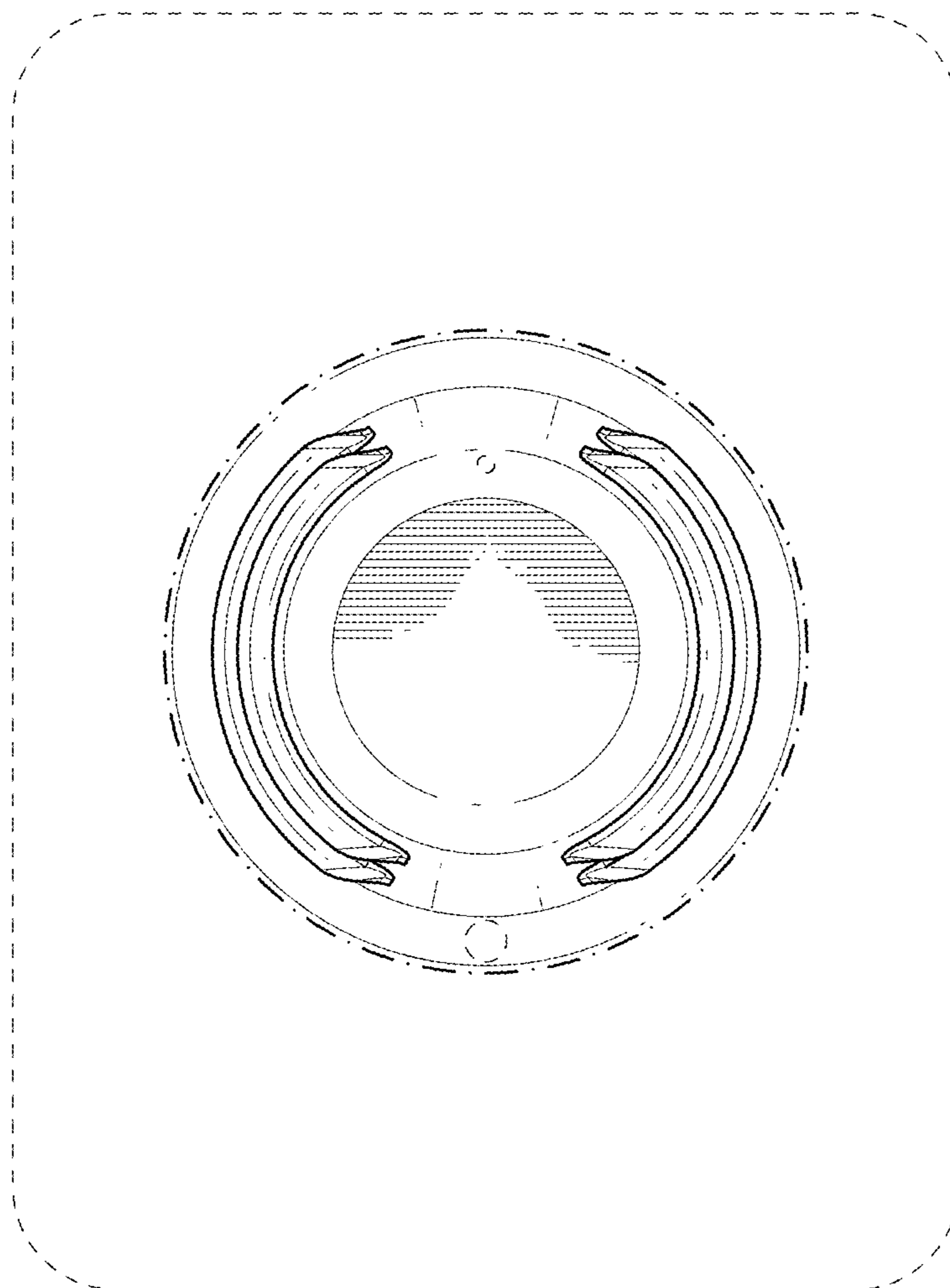
The shade lines in the figures show contour and not surface ornamentation.

**1 Claim, 7 Drawing Sheets**

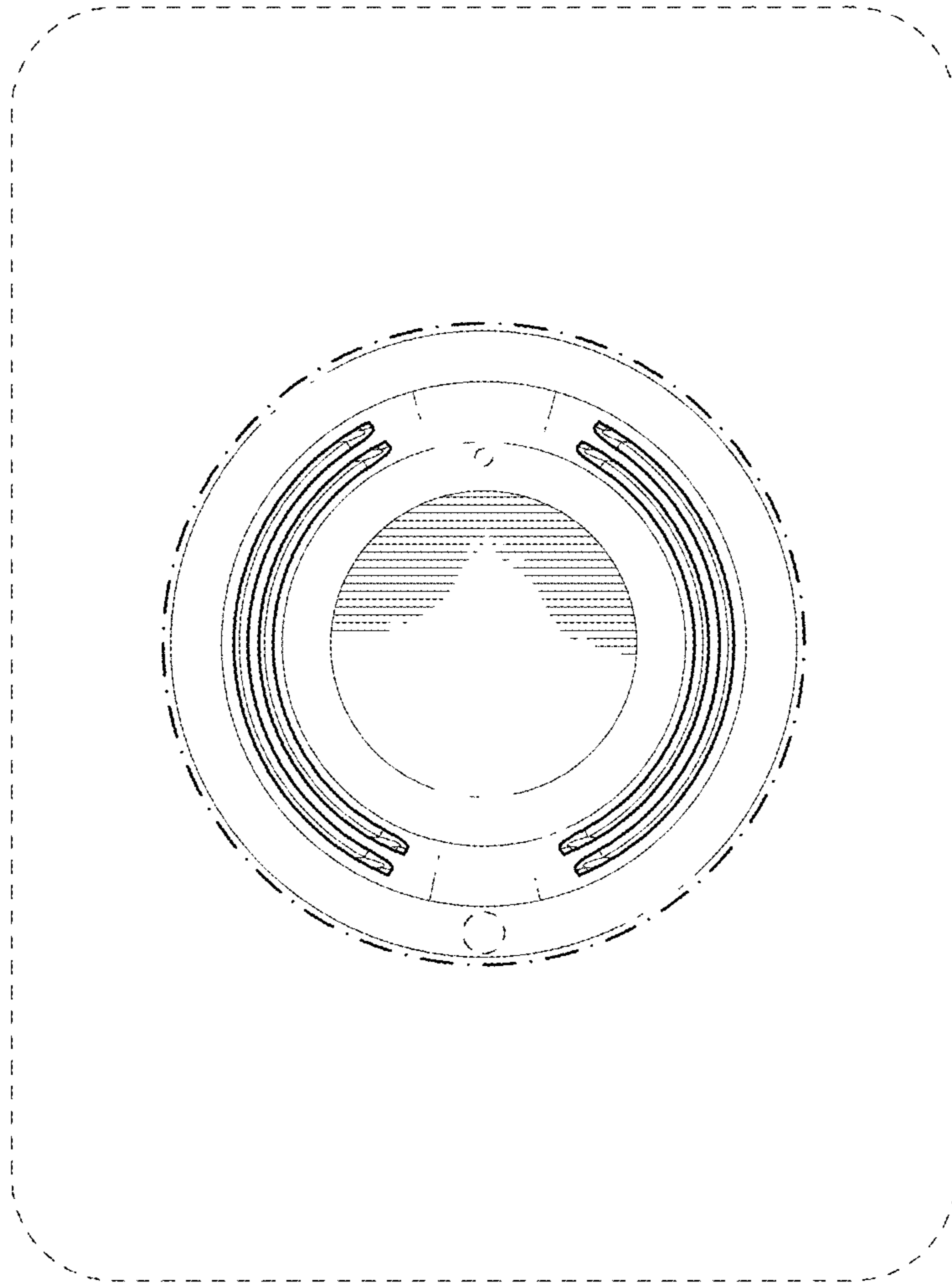




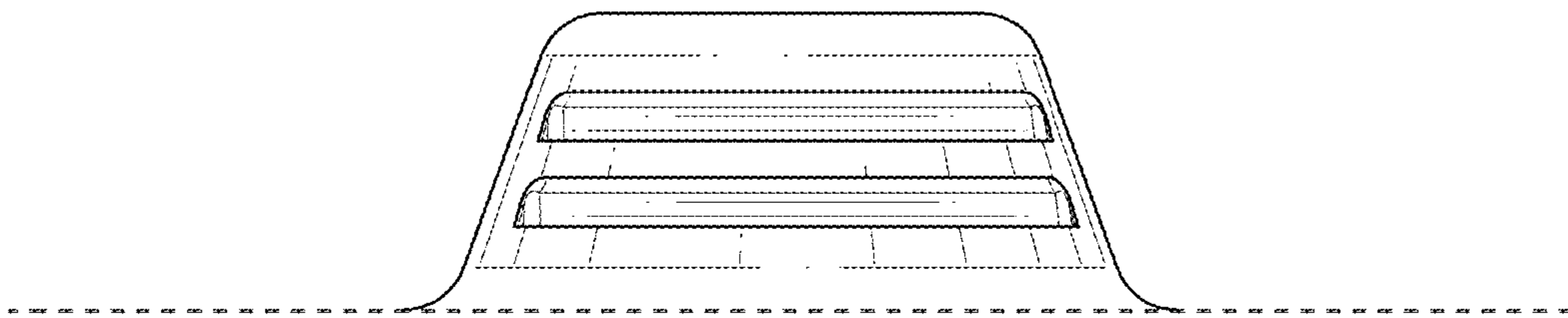
**FIG. 1**



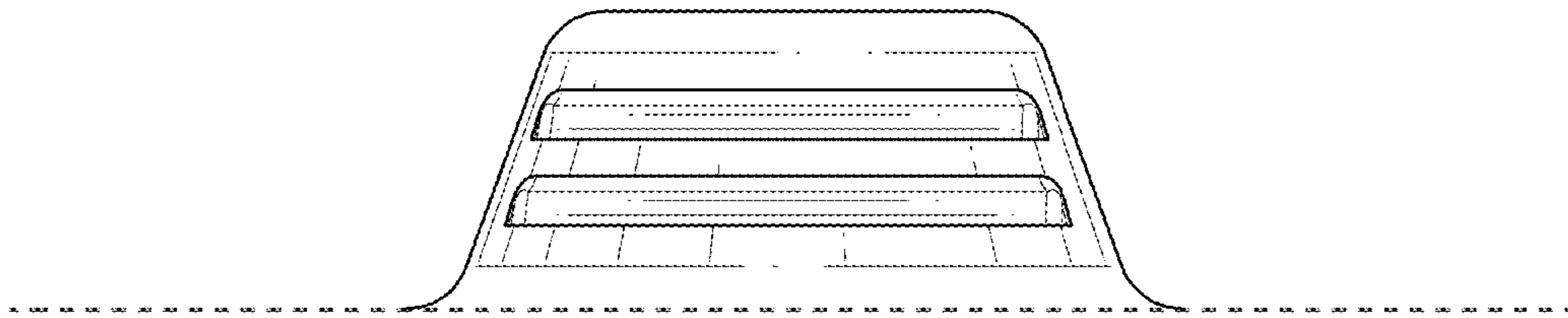
**FIG. 2**



**FIG. 3**



**FIG. 4**



**FIG. 5**

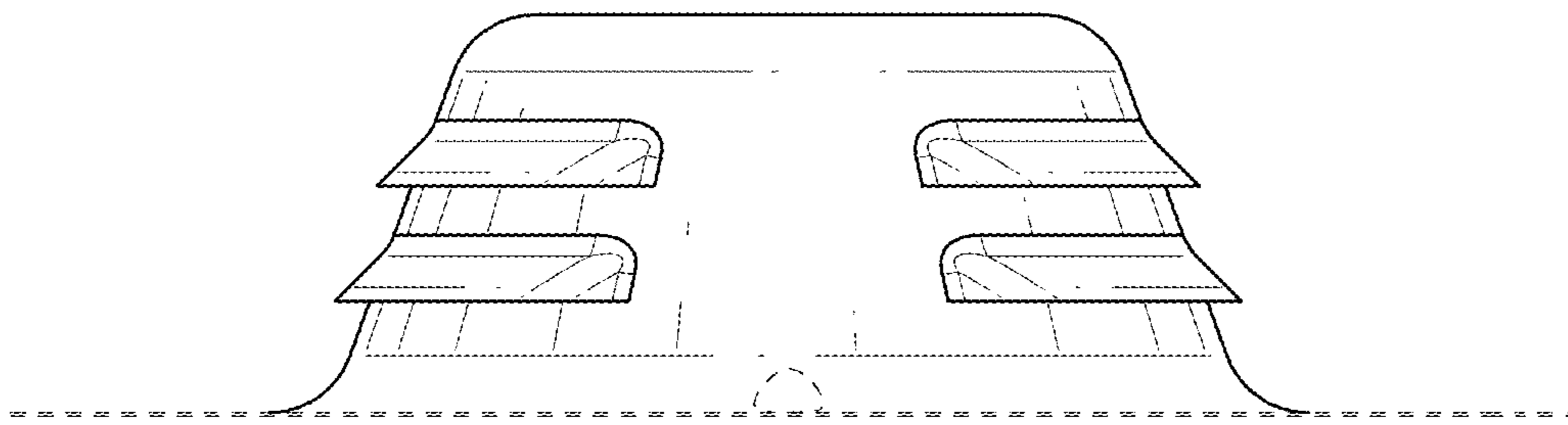


FIG. 6

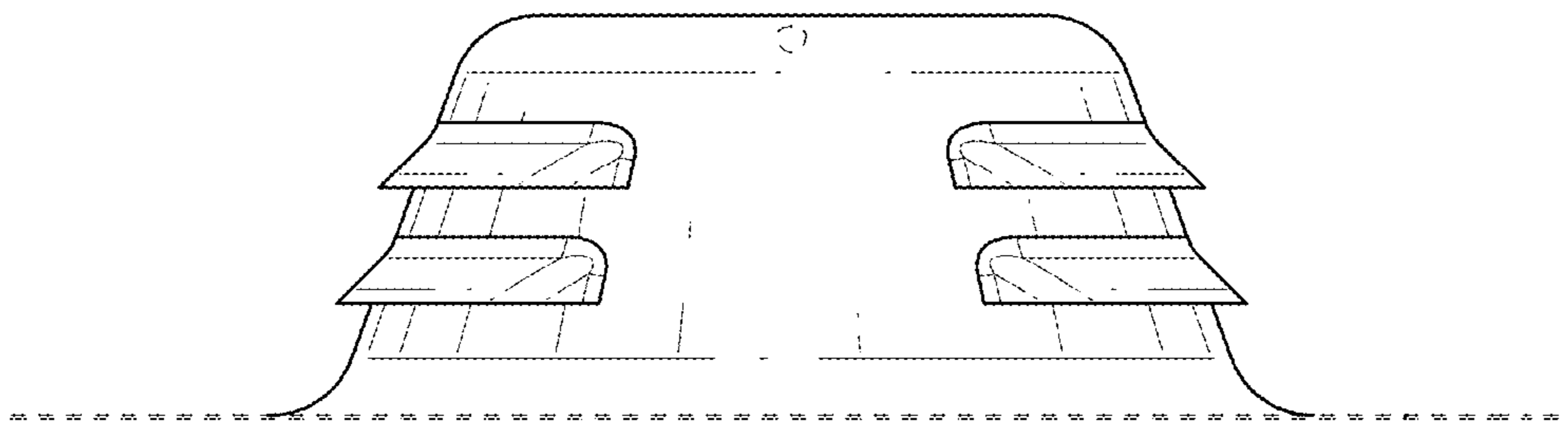


FIG. 7