



US00D773025S

(12) **United States Design Patent**
Nishiguchi et al.

(10) **Patent No.: US D773,025 S**

(45) **Date of Patent: ** *Nov. 29, 2016**

(54) **AIR CONDITIONER**

(71) Applicant: **mitsubishi electric corporation**, Tokyo (JP)

(72) Inventors: **Takayuki Nishiguchi**, Tokyo (JP);
Jangryul Rim, Tokyo (JP)

(73) Assignee: **Mitsubishi Electric Corporation**,
Tokyo (JP)

(*) Notice: This patent is subject to a terminal disclaimer.

(**) Term: **15 Years**

(21) Appl. No.: **29/534,407**

(22) Filed: **Jul. 28, 2015**

(30) **Foreign Application Priority Data**

Jan. 29, 2015 (JP) 2015-001580

(51) **LOC (10) Cl.** **23-04**

(52) **U.S. Cl.**
USPC **D23/351**

(58) **Field of Classification Search**
USPC D23/324-327, 332-334, 342-344,
D23/351-354, 370, 385, 388; 165/121;
454/284; 62/259.1, 298, 407
CPC F24F 13/08; F24F 13/15; F24F 13/1413;
F24F 1/00; F24F 1/27; F24F 2001/0037;
F24F 2001/004; F24F 2001/0048
See application file for complete search history.

(56) **References Cited**

U.S. PATENT DOCUMENTS

- D387,859 S * 12/1997 Ukai D23/370
- D401,682 S * 11/1998 Galeazzi D23/351
- D424,672 S * 5/2000 Nanjo D23/353
- 6,393,856 B1 * 5/2002 Gunji F24F 1/0011
62/259.1
- D539,404 S * 3/2007 Nagahori D23/351
- D539,887 S * 4/2007 Kato D23/351
- D539,888 S * 4/2007 Tsuji D23/351

- D553,720 S * 10/2007 Kato D23/351
- D553,727 S * 10/2007 Kato D23/351
- D579,094 S * 10/2008 Motonishi D23/351
- D601,237 S * 9/2009 Nishio D23/354
- D603,031 S * 10/2009 Kashimoto D23/351
- D705,409 S * 5/2014 Hagiwara D23/351
- D705,917 S * 5/2014 Hagiwara D23/351
- D720,442 S * 12/2014 Kosuge D23/351
- D720,443 S * 12/2014 Kosuge D23/351
- D724,715 S * 3/2015 Isshiki D23/351
- 2002/0108391 A1 * 8/2002 Kim F24F 1/0011
62/407
- 2015/0007967 A1 * 1/2015 Jeong F24F 1/0011
165/121
- 2015/0038068 A1 * 2/2015 Matsunaga F24F 13/1413
454/284
- 2015/0096723 A1 * 4/2015 Jeong F24F 13/1426
165/121

OTHER PUBLICATIONS

Amit Aircone [online]. Retrieved on Apr. 7, 2016 from URL:
<http://amitaircone.com/images/caste3.jpg>.
India Mart [online]. Retrieved on Mar. 15, 2016 from URL:
<http://www.indiamart.com/acr-services-pune/cassette-type-air-conditioner-unit.html>.

Primary Examiner — Manpreet Matharu
Assistant Examiner — Keith Wilson
(74) *Attorney, Agent, or Firm* — Stuebaker & Brackett,
Jr.

(57) **CLAIM**
The ornamental design for an air conditioner, as shown and described.

DESCRIPTION

FIG. 1 is a front perspective view of the front, right, and top sides of an air conditioner of our new design;
FIG. 2 is a front view thereof;
FIG. 3 is a rear view thereof;
FIG. 4 is a top plan view thereof;
FIG. 5 is a bottom view thereof;
FIG. 6 is a left side view thereof;
FIG. 7 is a right side view thereof; and,
FIG. 8 is a reference exploded perspective view in a state where a panel is opened.
The broken lines shown represent unclaimed subject matter of the air conditioner and form no part of the claimed design.

1 Claim, 7 Drawing Sheets

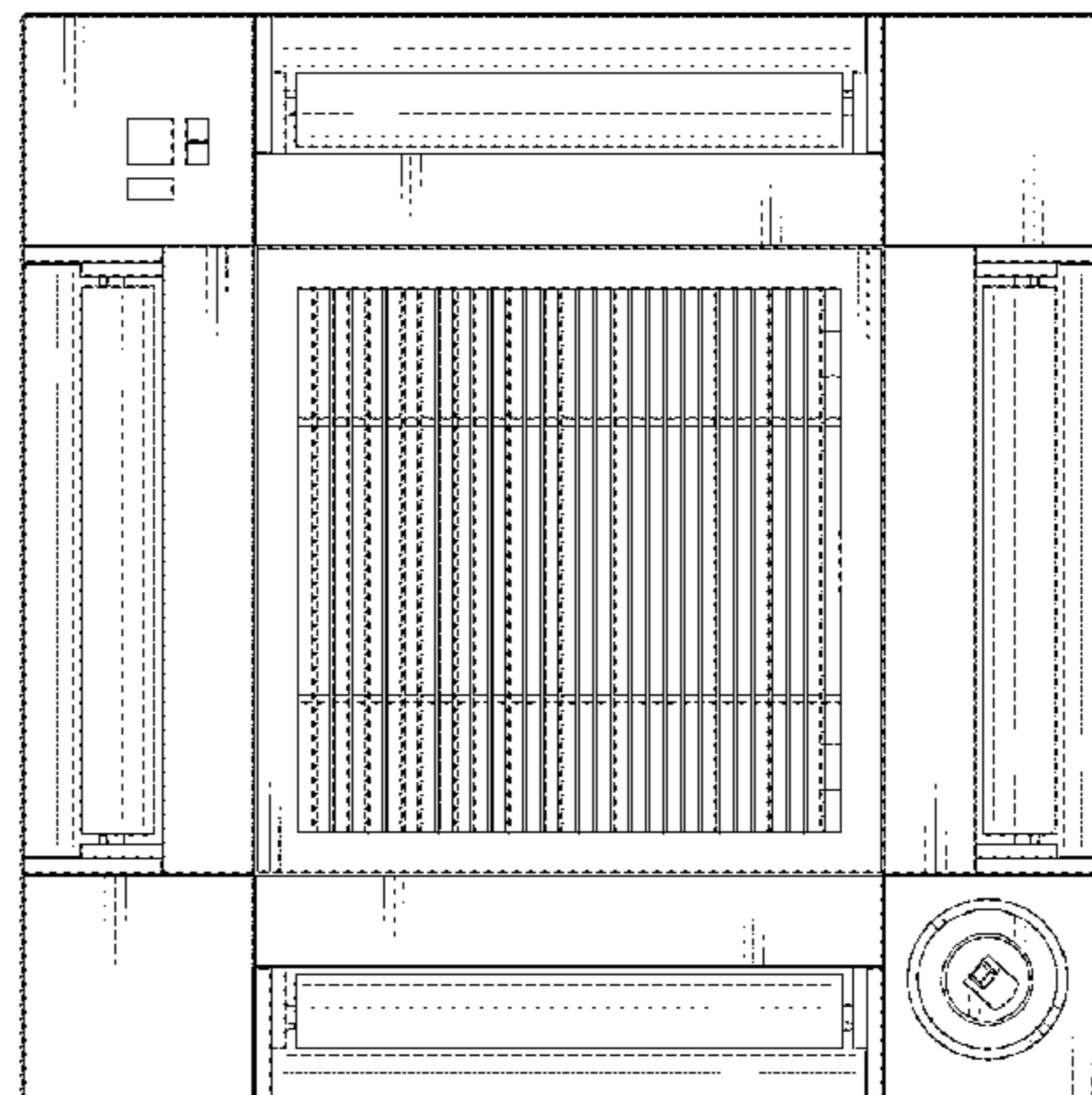
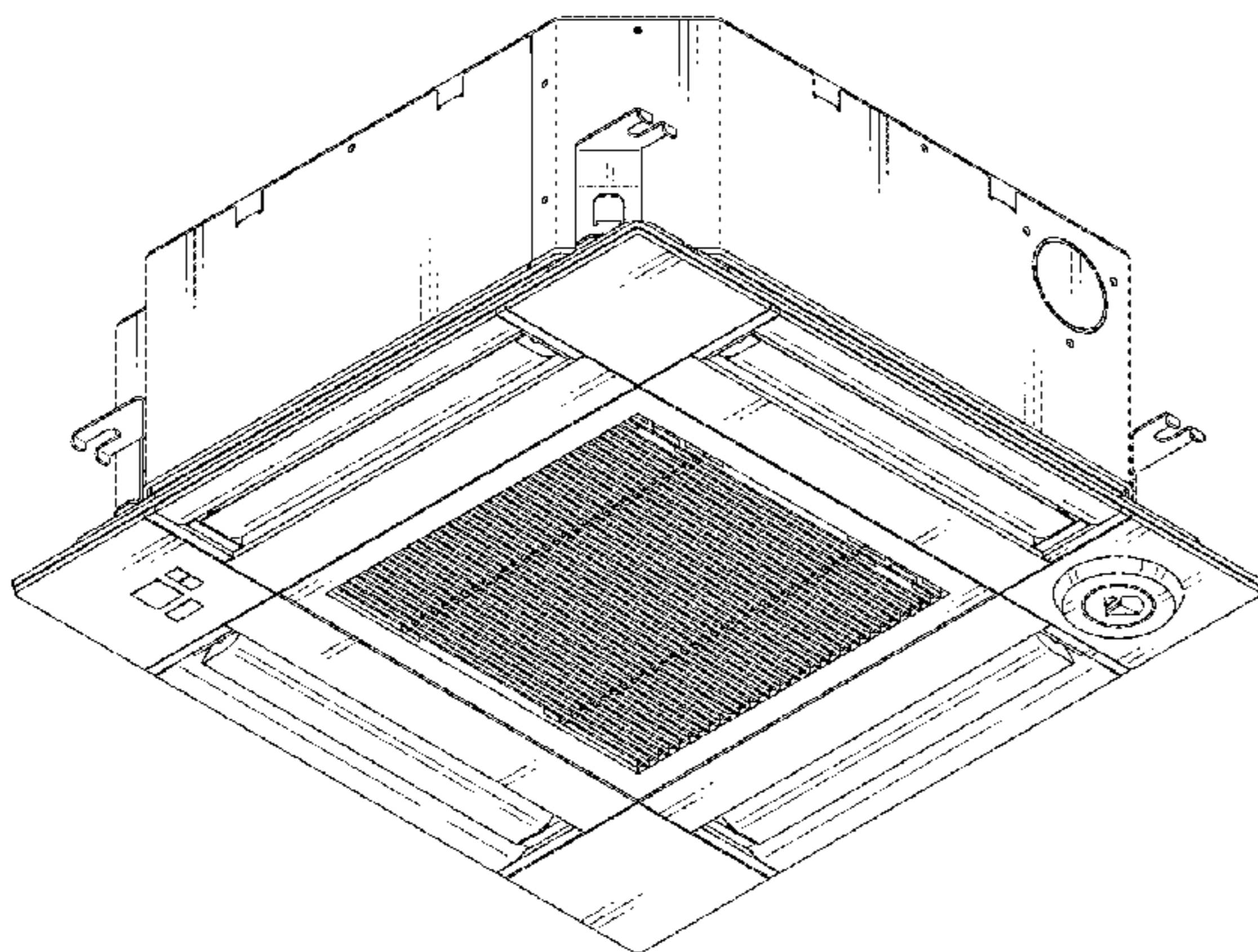


Fig. 1

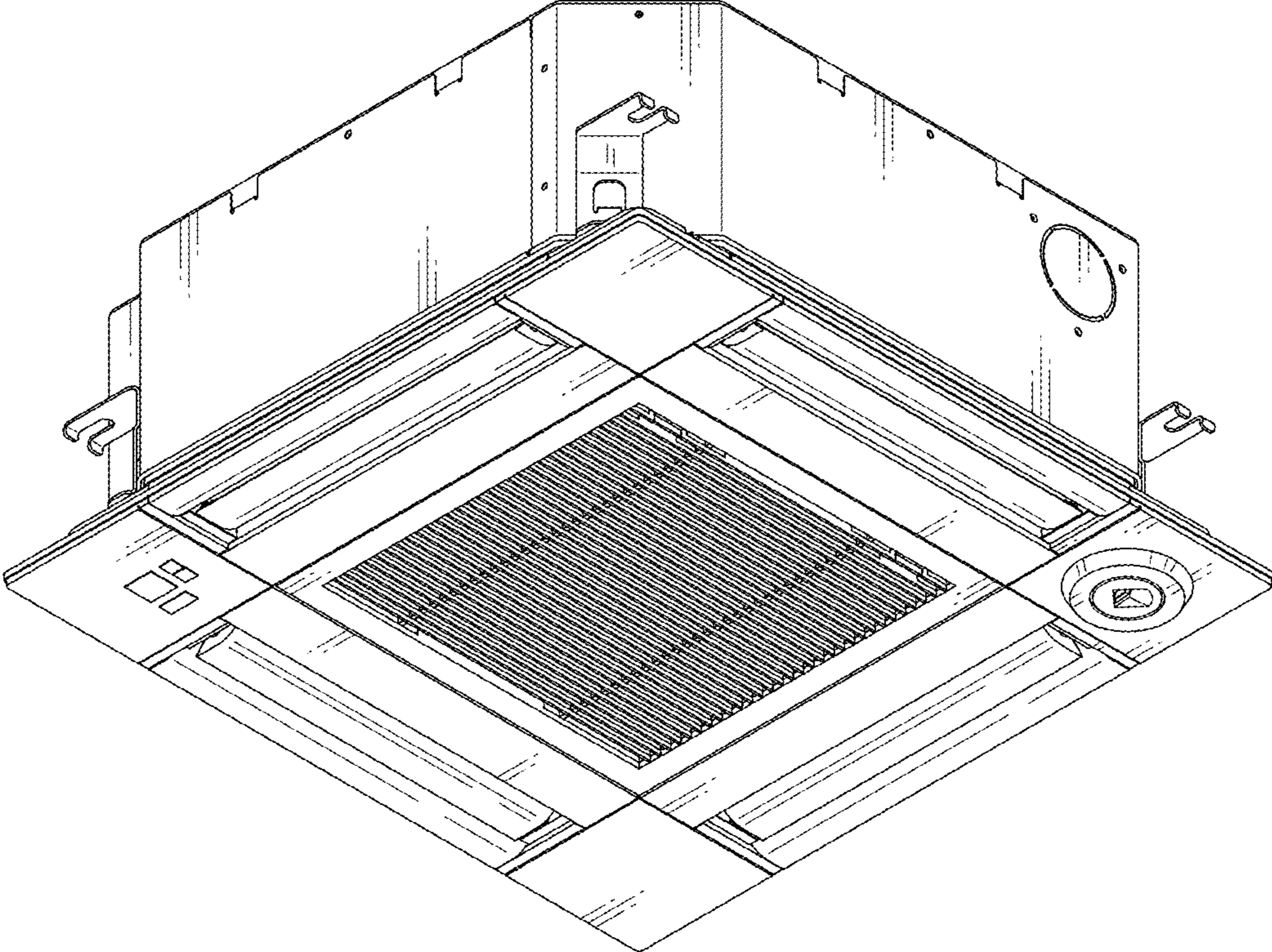


Fig. 2

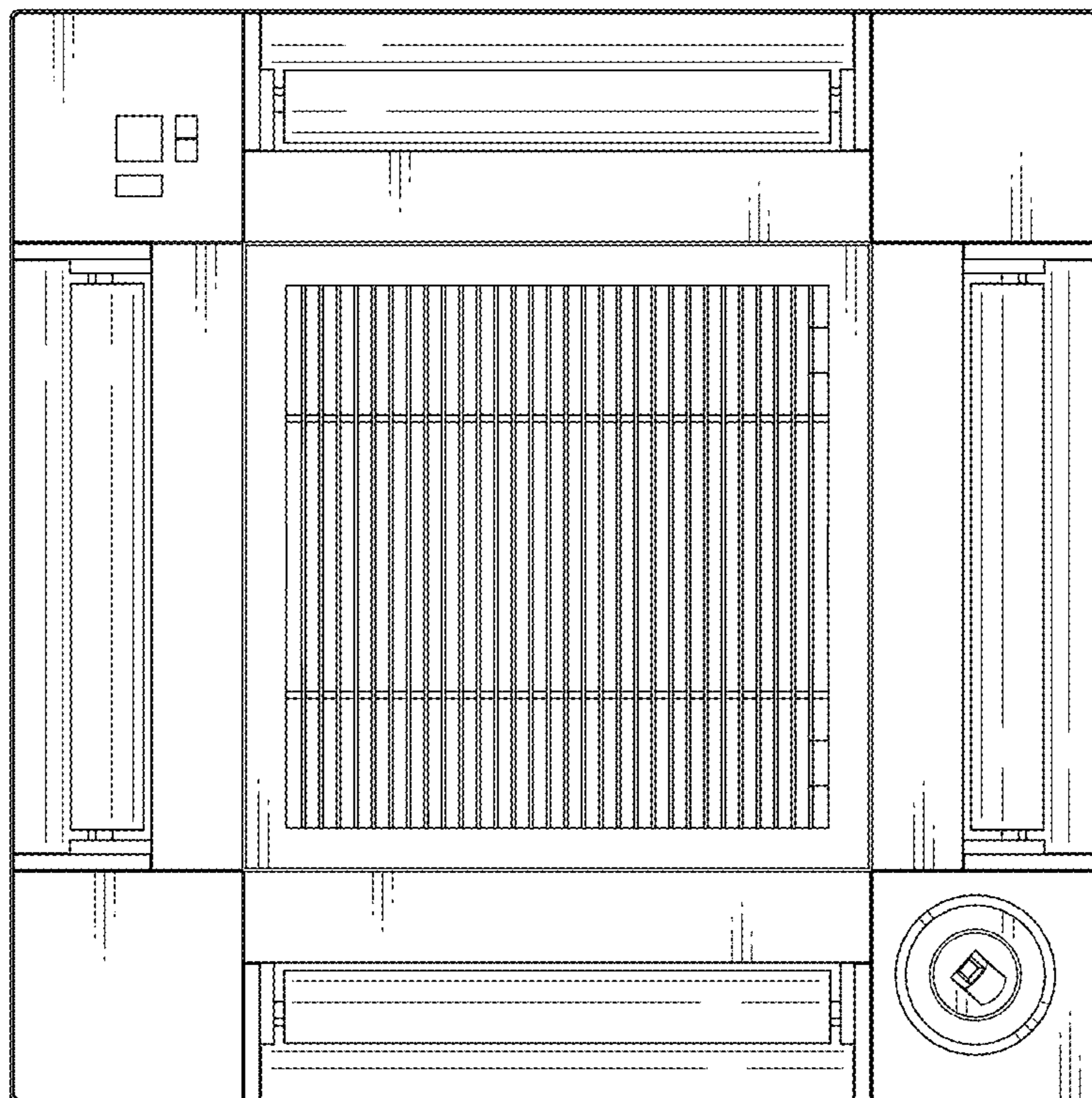


Fig. 3

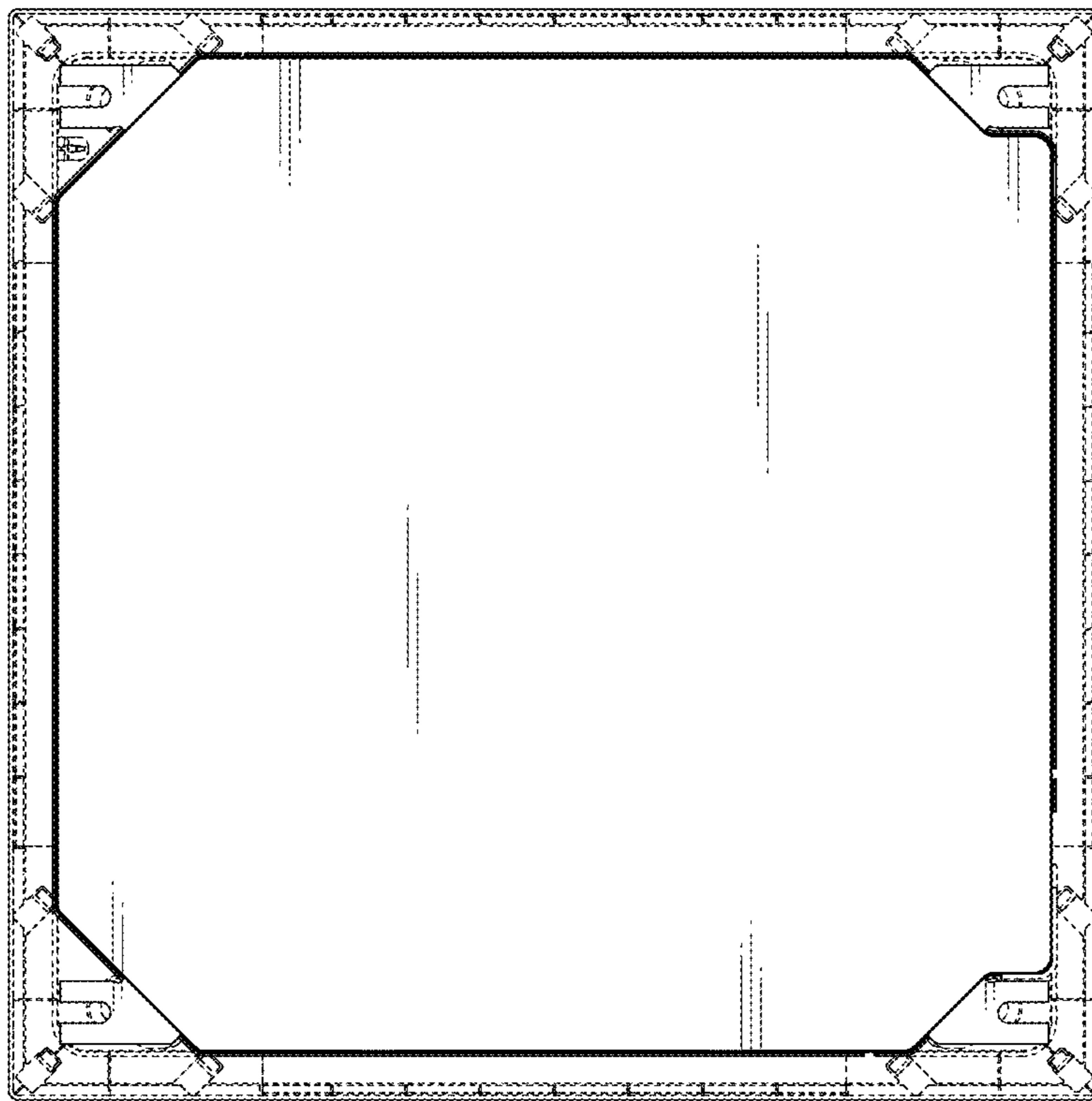


Fig. 4

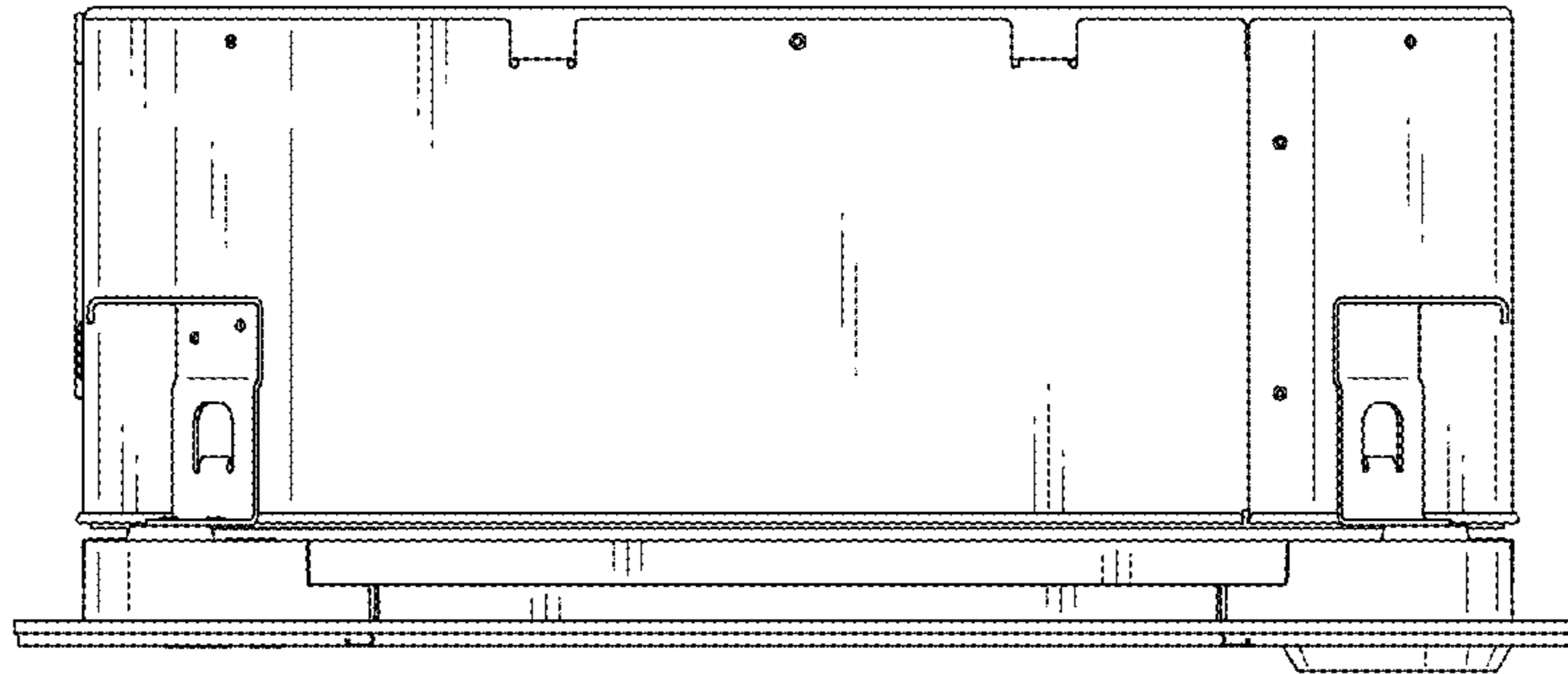


Fig. 5

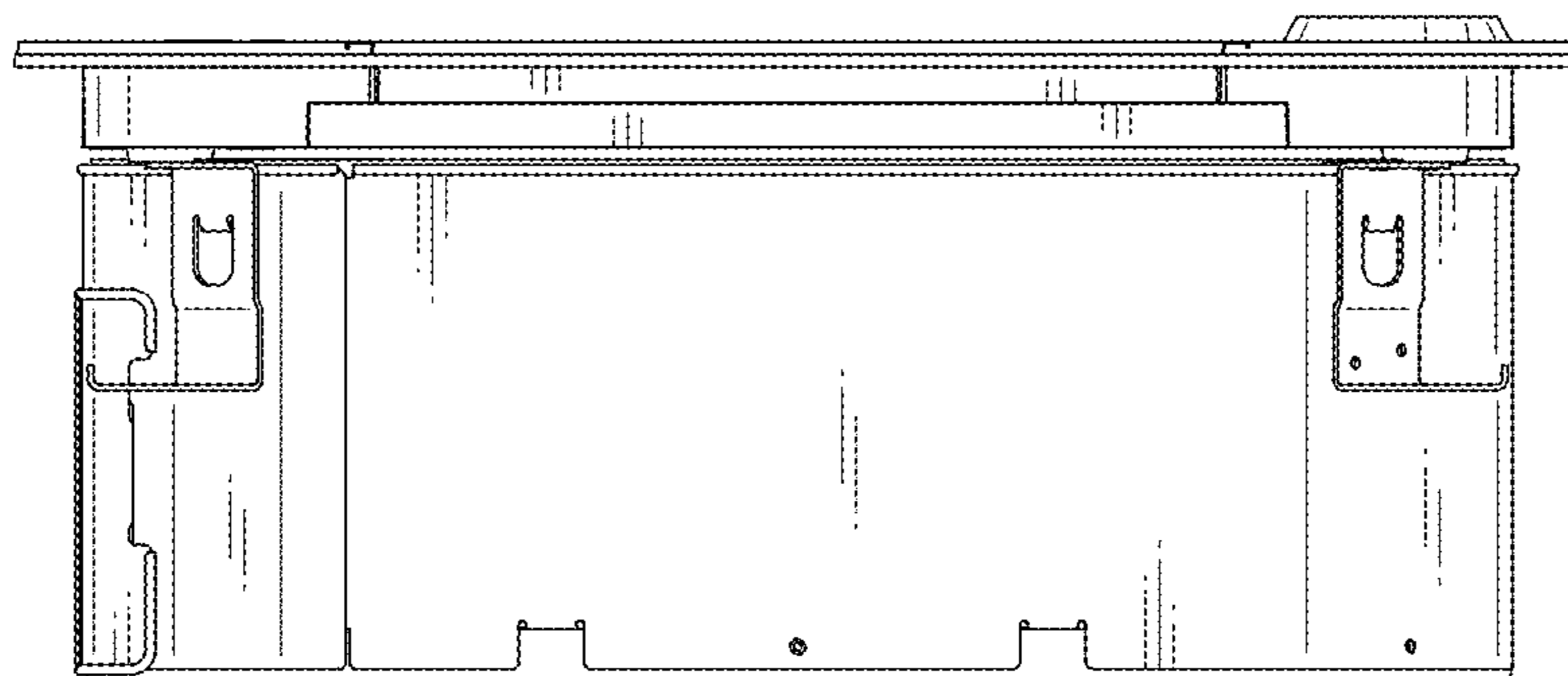


Fig. 6

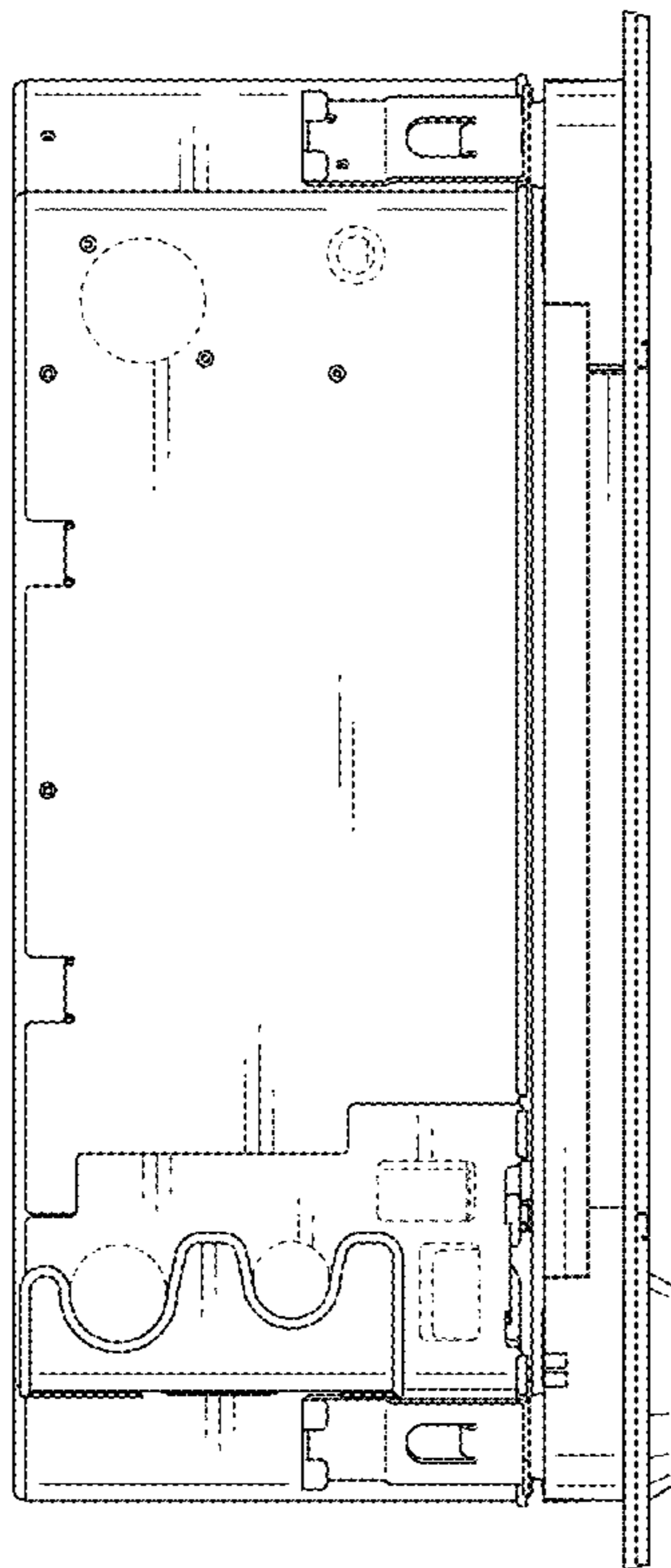


Fig. 7

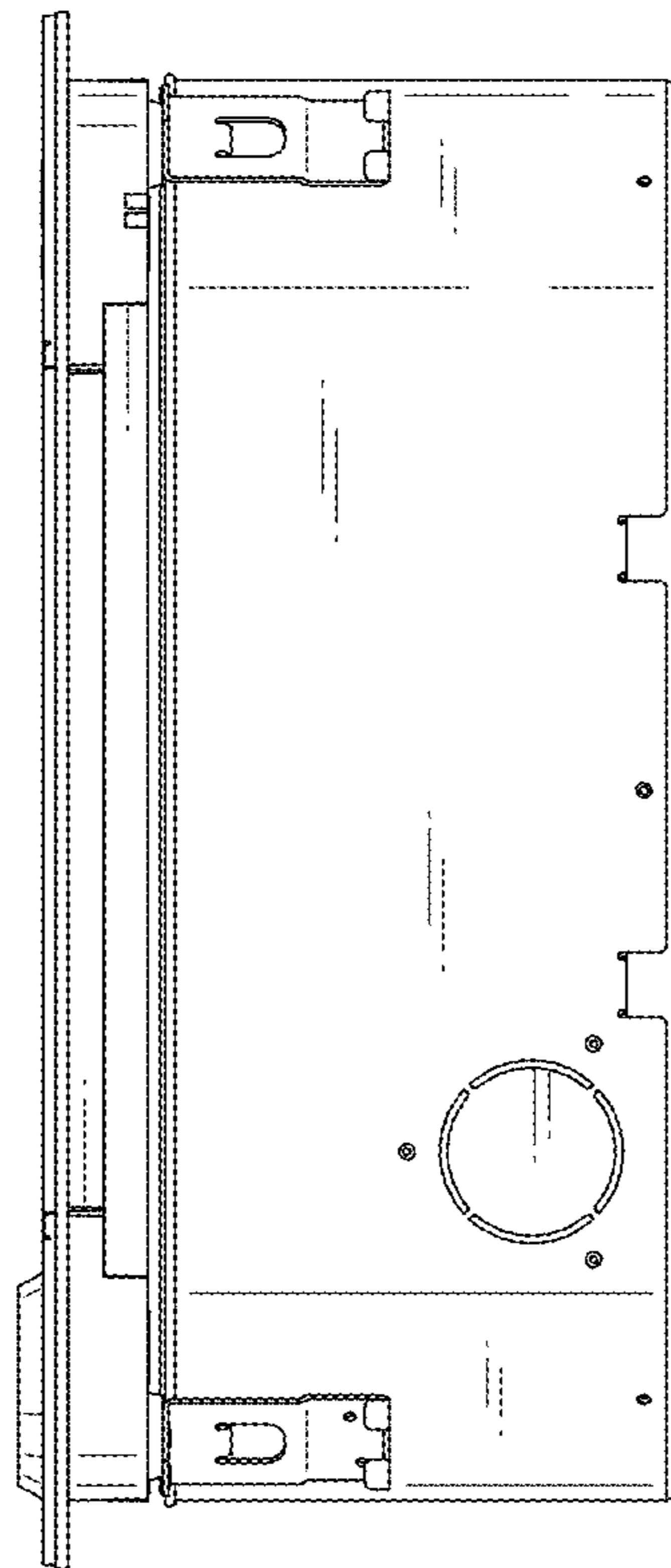


Fig. 8

