

US00D773024S

(12) **United States Design Patent**  
**Nishiguchi et al.**

(10) **Patent No.:** **US D773,024 S**

(45) **Date of Patent:** **\*\* \*Nov. 29, 2016**

(54) **AIR CONDITIONER**

(71) Applicant: **mitsubishi electric CORPORATION**, Tokyo (JP)

(72) Inventors: **Takayuki Nishiguchi**, Tokyo (JP);  
**Jangryul Rim**, Tokyo (JP)

(73) Assignee: **Mitsubishi Electric Corporation**,  
Tokyo (JP)

(\*) Notice: This patent is subject to a terminal disclaimer.

(\*\*) Term: **15 Years**

(21) Appl. No.: **29/534,236**

(22) Filed: **Jul. 27, 2015**

(30) **Foreign Application Priority Data**

Jan. 29, 2015 (JP) ..... 2015-001581

(51) **LOC (10) Cl.** ..... **23-04**

(52) **U.S. Cl.**  
USPC ..... **D23/351**

(58) **Field of Classification Search**  
USPC ..... D23/324-327, 332-334, 342-344,  
D23/351-354, 370, 385, 388; 165/121;  
454/284; 62/259.1, 298, 407  
CPC ..... F24F 13/08; F24F 13/15; F24F 13/1413;  
F24F 1/00; F24F 1/27; F24F 2001/0048  
See application file for complete search history.

(56) **References Cited**

**U.S. PATENT DOCUMENTS**

D387,859 S \* 12/1997 Ukai ..... D23/370  
D401,682 S \* 11/1998 Galeazzi ..... D23/351  
D424,672 S \* 5/2000 Nanjo ..... D23/353  
6,393,856 B1 \* 5/2002 Gunji ..... F24F 1/0011  
62/259.1  
D539,404 S \* 3/2007 Nagahori ..... D23/351  
D539,887 S \* 4/2007 Kato ..... D23/351  
D539,888 S \* 4/2007 Tsuji ..... D23/351

D553,720 S \* 10/2007 Kato ..... D23/351  
D553,727 S \* 10/2007 Kato ..... D23/351  
D579,094 S \* 10/2008 Motonishi ..... D23/351  
D601,237 S \* 9/2009 Nishio ..... D23/354  
D603,031 S \* 10/2009 Kashimoto ..... D23/351  
D705,409 S \* 5/2014 Hagiwara ..... D23/351  
D705,917 S \* 5/2014 Hagiwara ..... D23/351  
D720,442 S \* 12/2014 Kosuge ..... D23/351  
D720,443 S \* 12/2014 Kosuge ..... D23/351  
D724,715 S \* 3/2015 Isshiki ..... D23/351  
2002/0108391 A1 \* 8/2002 Kim ..... F24F 1/0011  
62/407  
2015/0007967 A1 \* 1/2015 Jeong ..... F24F 1/0011  
165/121  
2015/0038068 A1 \* 2/2015 Matsunaga ..... F24F 13/1413  
454/284  
2015/0096723 A1 \* 4/2015 Jeong ..... F24F 13/1426  
165/121

**OTHER PUBLICATIONS**

India Mart [online]. Retrieved on Mar. 15, 2016 from URL:  
<http://www.indiamart.com/acr-services-pune/cassette-type-air-conditioner-unit.html>.\*

Amit Aircone [online]. Retrieved on Apr. 7, 2016 from URL:  
<http://amitaircone.com/images/caste3.jpg>.\*

\* cited by examiner

*Primary Examiner* — Manpreet Matharu

*Assistant Examiner* — Keith Wilson

(74) *Attorney, Agent, or Firm* — Studebaker & Brackett  
PC

(57) **CLAIM**

The ornamental design for an air conditioner, as shown and described.

**DESCRIPTION**

FIG. 1 is a front perspective view of the front, right, and top sides of an air conditioner of our new design, the portion shown in dotted lines is for illustrative purposes only, forming no part of the claimed design; and, FIG. 2 is a front view thereof.

**1 Claim, 2 Drawing Sheets**

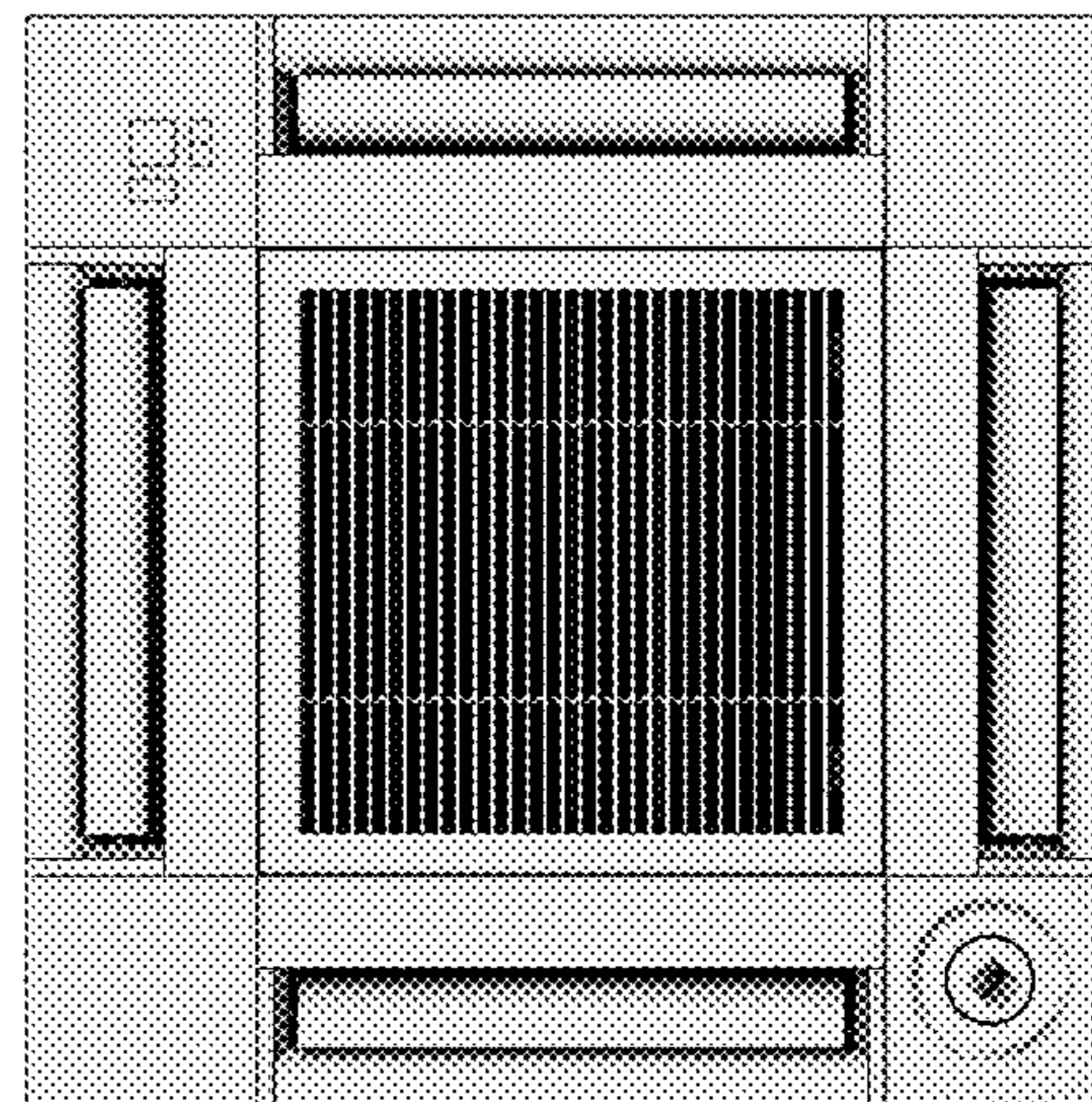
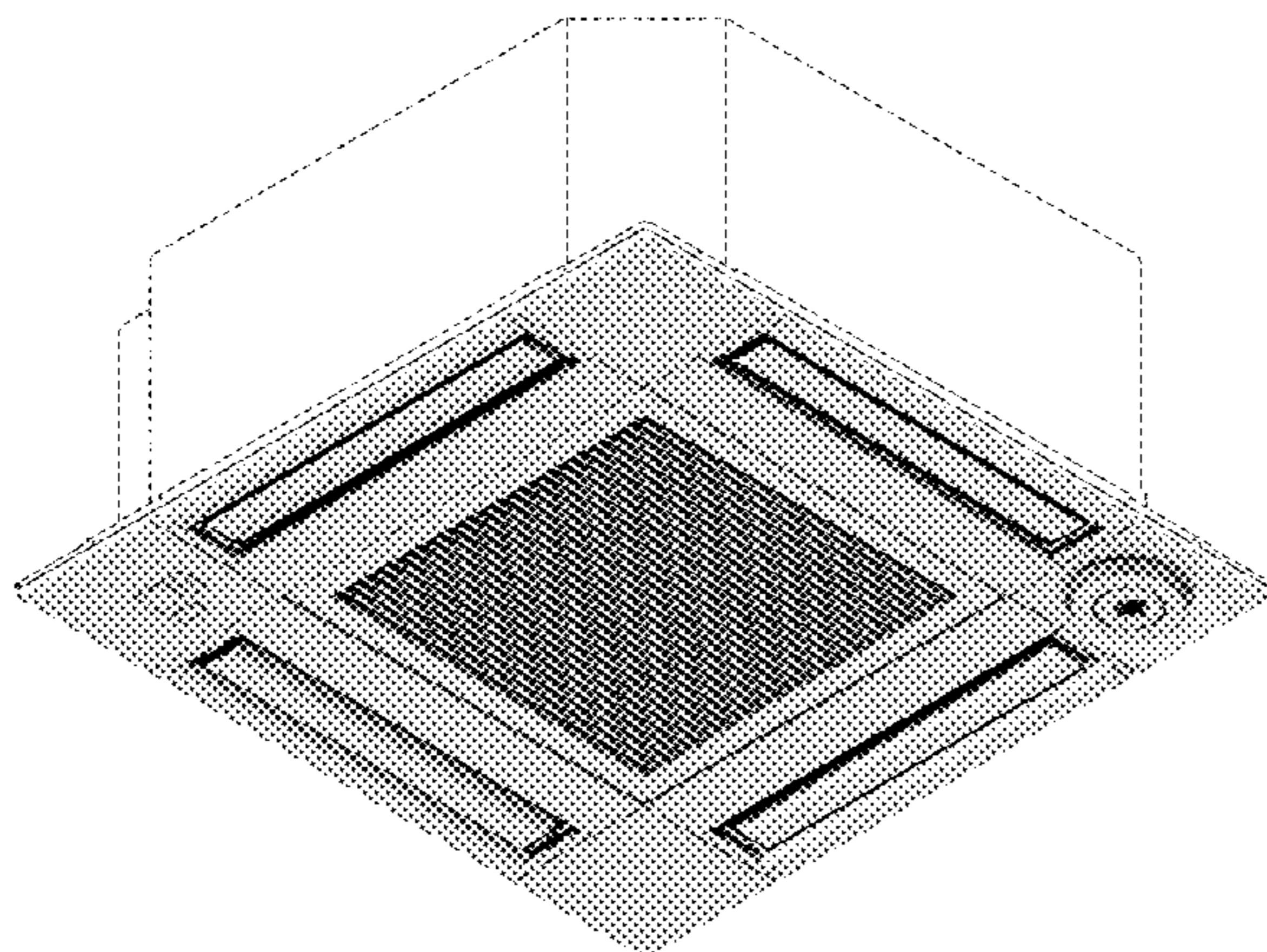


Fig. 1

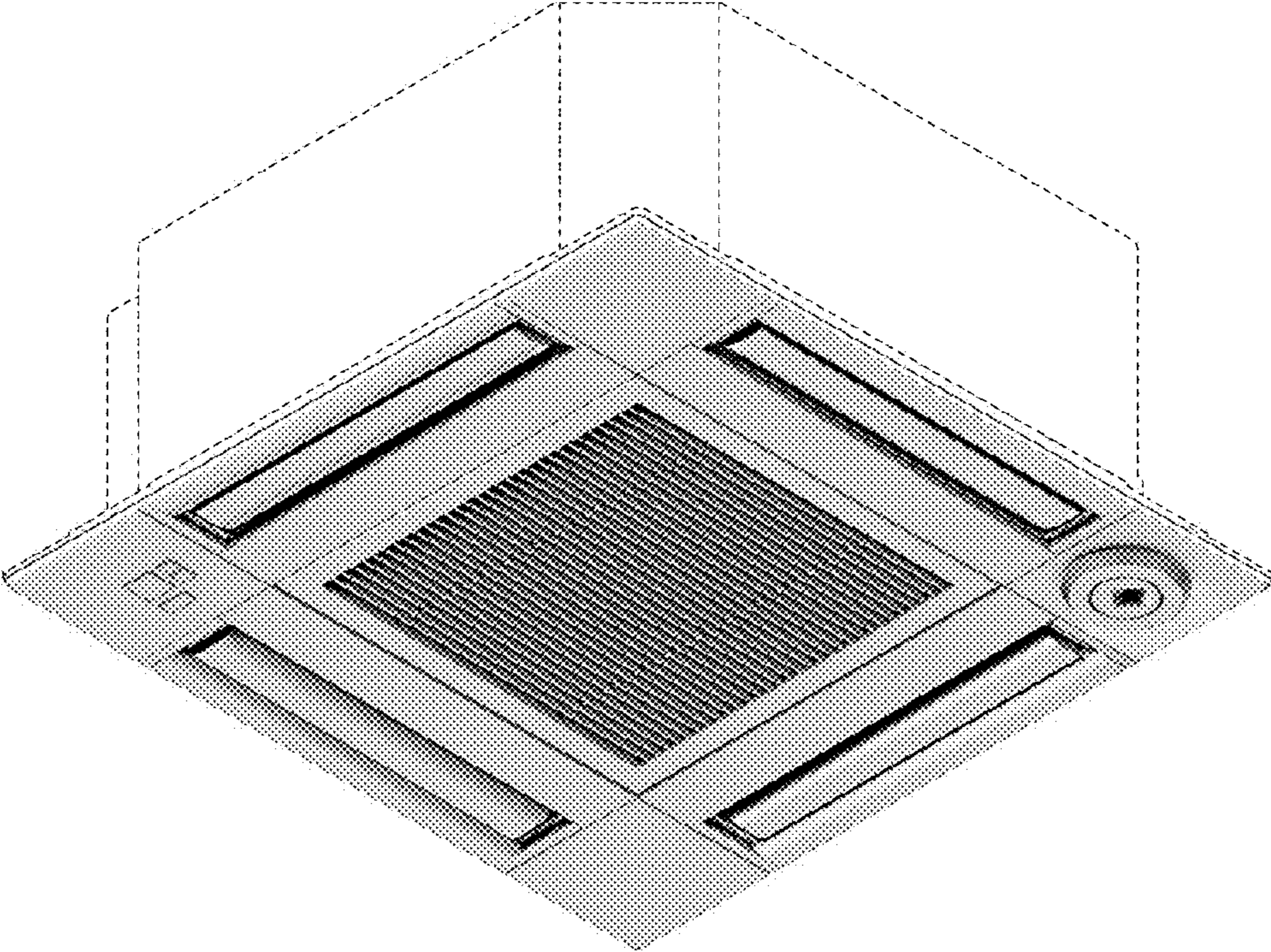


Fig. 2

