



US00D773023S

(12) **United States Design Patent**  
**Nishiguchi et al.**

(10) **Patent No.:** **US D773,023 S**

(45) **Date of Patent:** **\*\* \*Nov. 29, 2016**

(54) **AIR CONDITIONER**

(71) Applicant: **MITSUBISHI ELECTRIC CORPORATION**, Tokyo (JP)

(72) Inventors: **Takayuki Nishiguchi**, Tokyo (JP);  
**Jangryul Rim**, Tokyo (JP)

(73) Assignee: **Mitsubishi Electric Corporation**,  
Tokyo (JP)

(\*) Notice: This patent is subject to a terminal disclaimer.

(\*\*) Term: **15 Years**

(21) Appl. No.: **29/534,178**

(22) Filed: **Jul. 27, 2015**

(30) **Foreign Application Priority Data**

Jan. 29, 2015 (JP) ..... 2015-001578

(51) **LOC (10) Cl.** ..... **23-04**

(52) **U.S. Cl.**  
USPC ..... **D23/351**

(58) **Field of Classification Search**  
USPC ..... D23/324-327, 332-334, 342-344,  
D23/351-354, 370, 385, 388; 165/121;  
454/284; 62/259.1, 298, 407  
CPC ..... F24F 13/08; F24F 13/15; F24F 13/1413;  
F24F 1/00; F24F 1/27; F24F 2001/0037;  
F24F 2001/004; F24F 2001/0048  
See application file for complete search history.

(56) **References Cited**

**U.S. PATENT DOCUMENTS**

D387,859 S \* 12/1997 Ukai ..... D23/370  
D401,682 S \* 11/1998 Galeazzi ..... D23/351  
D424,672 S \* 5/2000 Nanjo ..... D23/353  
6,393,856 B1 \* 5/2002 Gunji ..... F24F 1/0011  
62/259.1  
D539,404 S \* 3/2007 Nagahori ..... D23/351

D539,887 S \* 4/2007 Kato ..... D23/351  
D539,888 S \* 4/2007 Tsuji ..... D23/351  
D553,720 S \* 10/2007 Kato ..... D23/351  
D553,727 S \* 10/2007 Kato ..... D23/351  
D579,094 S \* 10/2008 Motonishi ..... D23/351  
D601,237 S \* 9/2009 Nishio ..... D23/354  
D603,031 S \* 10/2009 Kashimoto ..... D23/351  
D705,409 S \* 5/2014 Hagiwara ..... D23/351  
D705,917 S \* 5/2014 Hagiwara ..... D23/351  
D720,442 S \* 12/2014 Kosuge ..... D23/351  
D720,443 S \* 12/2014 Kosuge ..... D23/351

(Continued)

**OTHER PUBLICATIONS**

India Mart [online]. Retrieved on Mar. 15, 2016 from URL:  
<http://www.indiamart.com/acr-services-pune/cassette-type-air-conditioner-unit.html>.\*

(Continued)

*Primary Examiner* — Manpreet Matharu

*Assistant Examiner* — Keith Wilson

(74) *Attorney, Agent, or Firm* — Studebaker & Brackett  
PC

(57) **CLAIM**

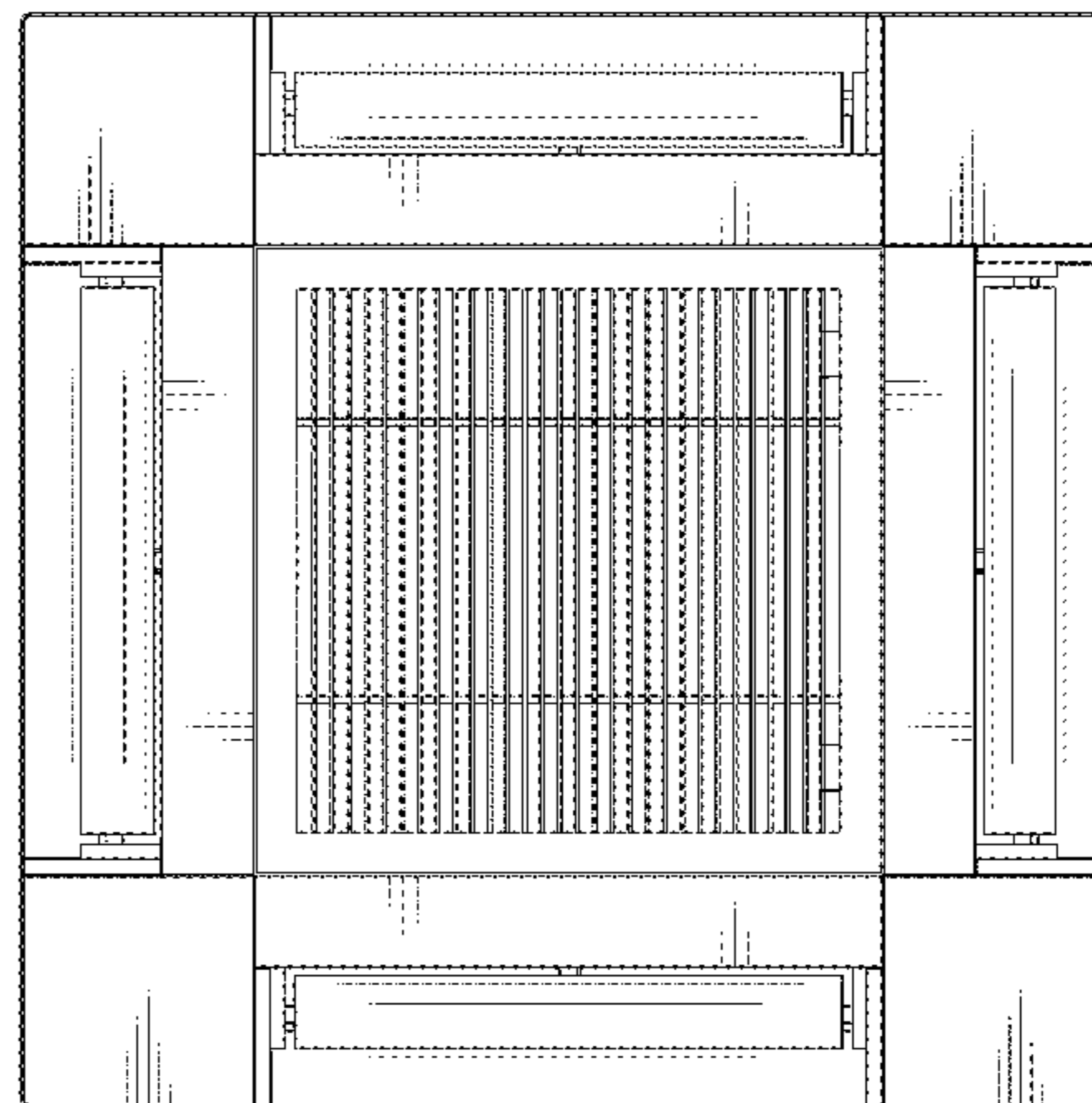
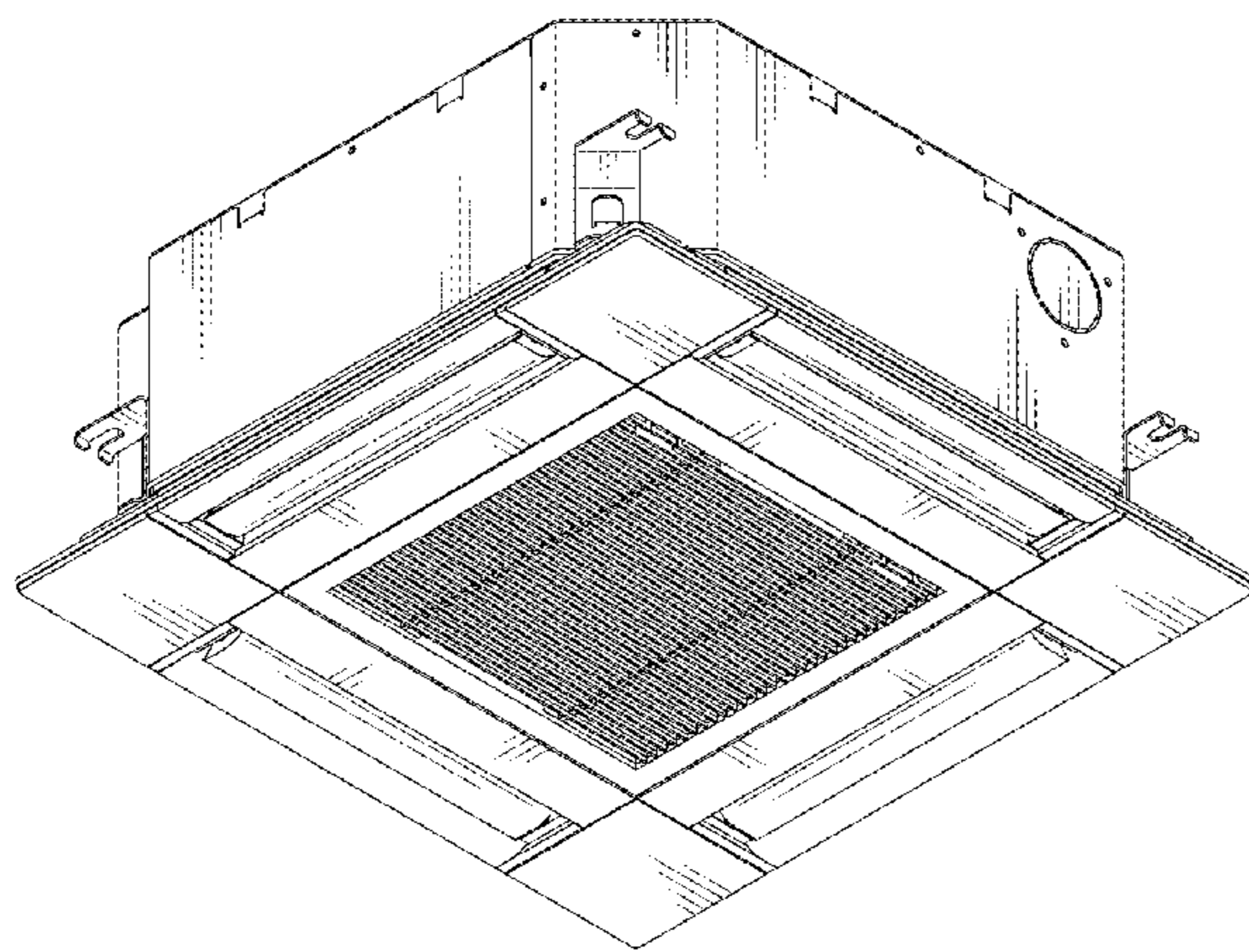
The ornamental design for an air conditioner, as shown and described.

**DESCRIPTION**

FIG. 1 is a front perspective view of the front, right, and top sides of an air conditioner of our new design;  
FIG. 2 is a front view thereof;  
FIG. 3 is a rear view thereof;  
FIG. 4 is a top plan view thereof;  
FIG. 5 is a bottom view thereof;  
FIG. 6 is a left side view thereof;  
FIG. 7 is a right side view thereof; and,  
FIG. 8 is a reference exploded perspective view in a state where a panel is opened.

The broken lines shown represent unclaimed subject matter of the air conditioner and form no part of the claimed design.

**1 Claim, 7 Drawing Sheets**



(56)

**References Cited**

2015/0096723 A1\* 4/2015 Jeong ..... F24F 13/1426  
165/121

U.S. PATENT DOCUMENTS

D724,715 S \* 3/2015 Isshiki ..... D23/351  
2002/0108391 A1\* 8/2002 Kim ..... F24F 1/0011  
62/407  
2015/0007967 A1\* 1/2015 Jeong ..... F24F 1/0011  
165/121  
2015/0038068 A1\* 2/2015 Matsunaga ..... F24F 13/1413  
454/284

OTHER PUBLICATIONS

Amit Aircone [online]. Retrieved on Apr. 7, 2016 from URL:  
<http://amitaircone.com/images/caste3.jpg>.\*

\* cited by examiner

Fig. 1

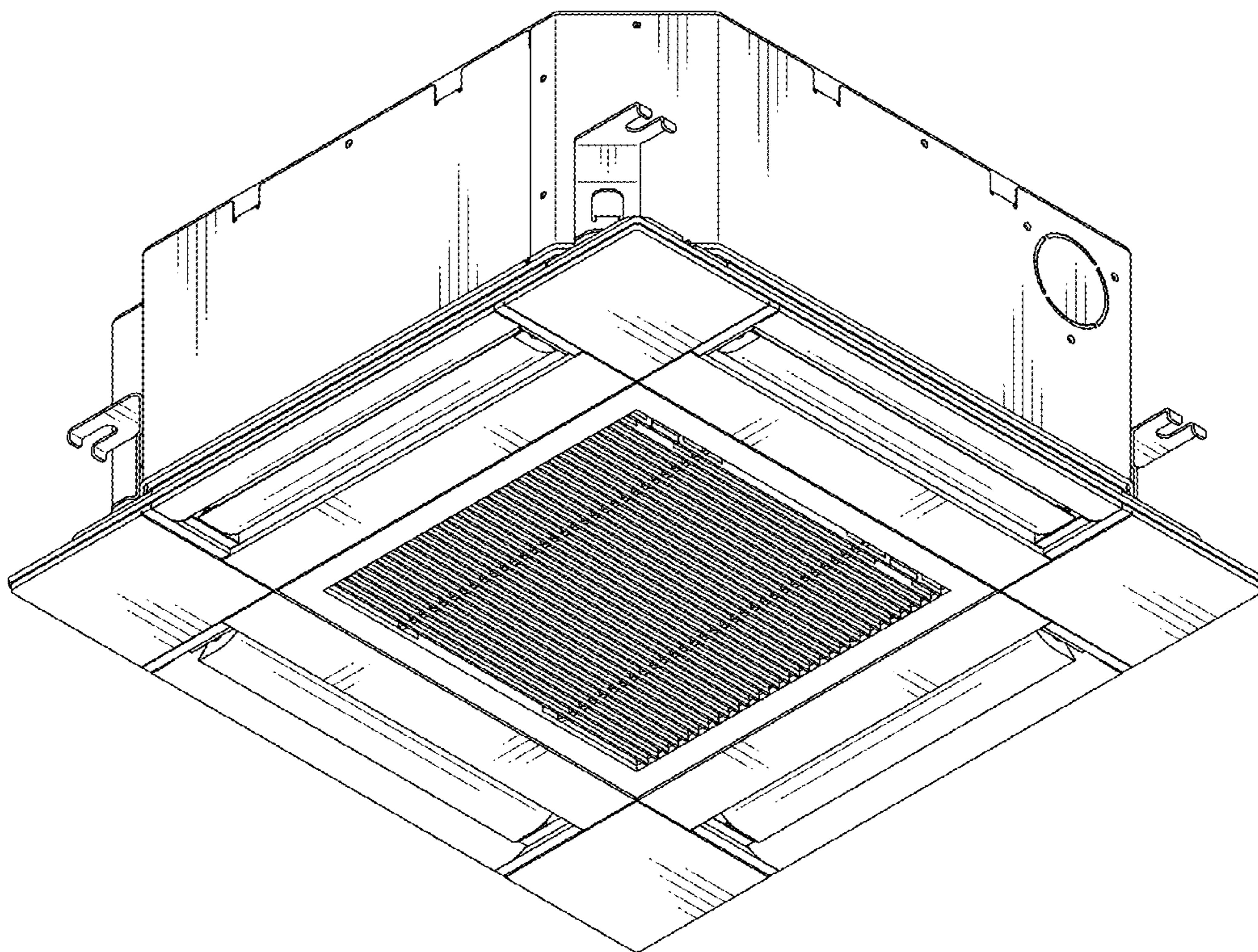




Fig. 2

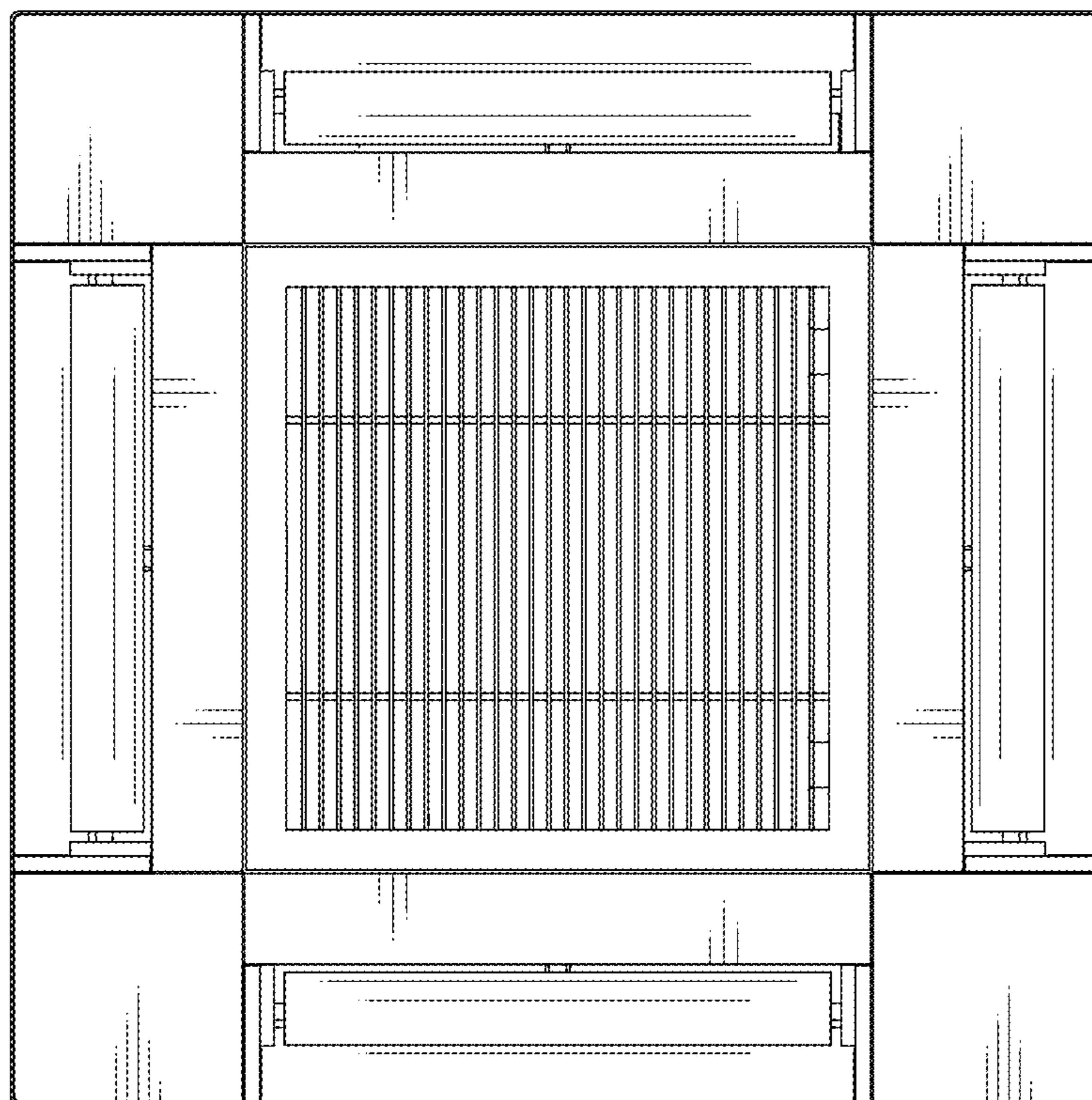


Fig. 3

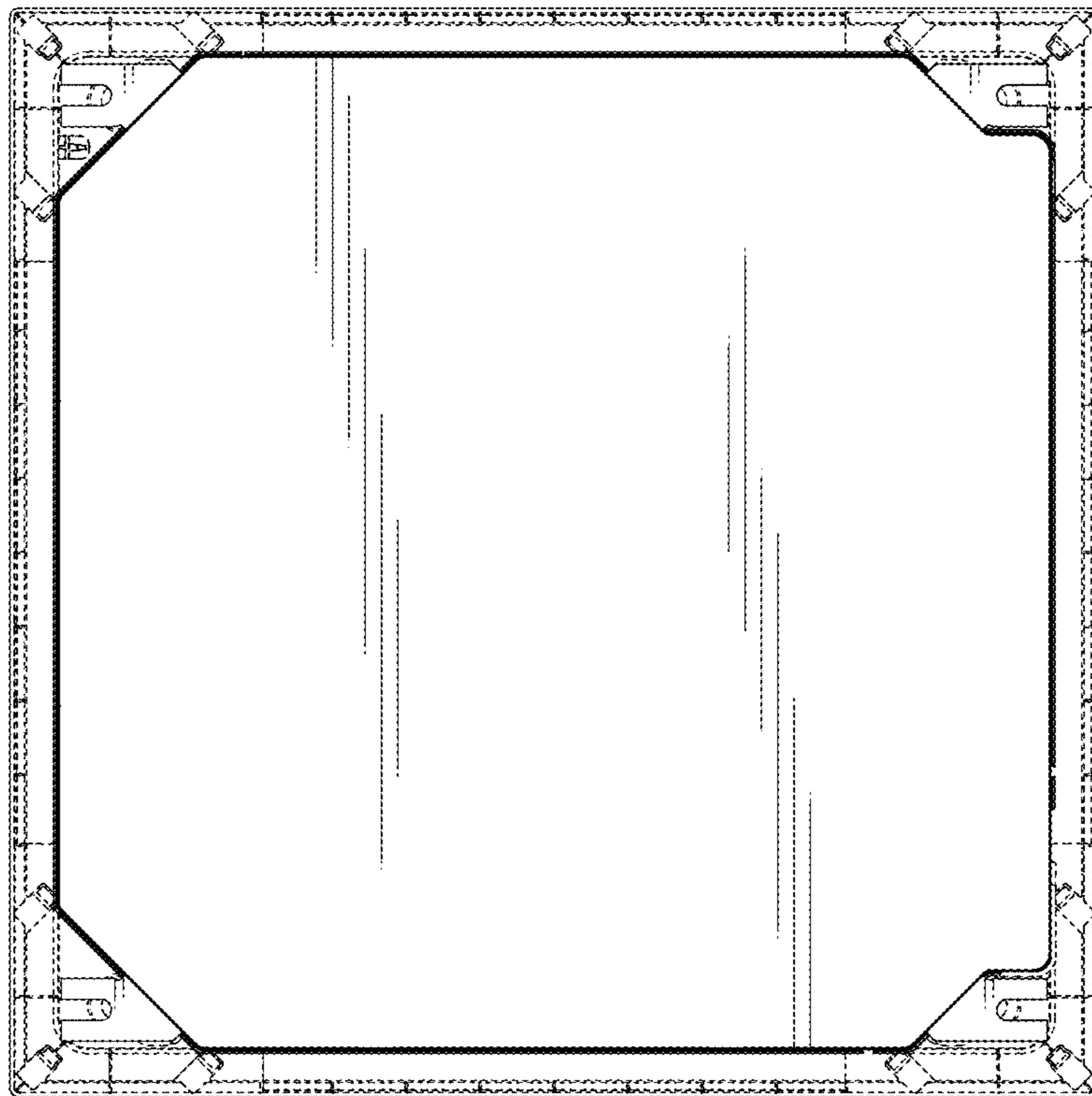


Fig. 4

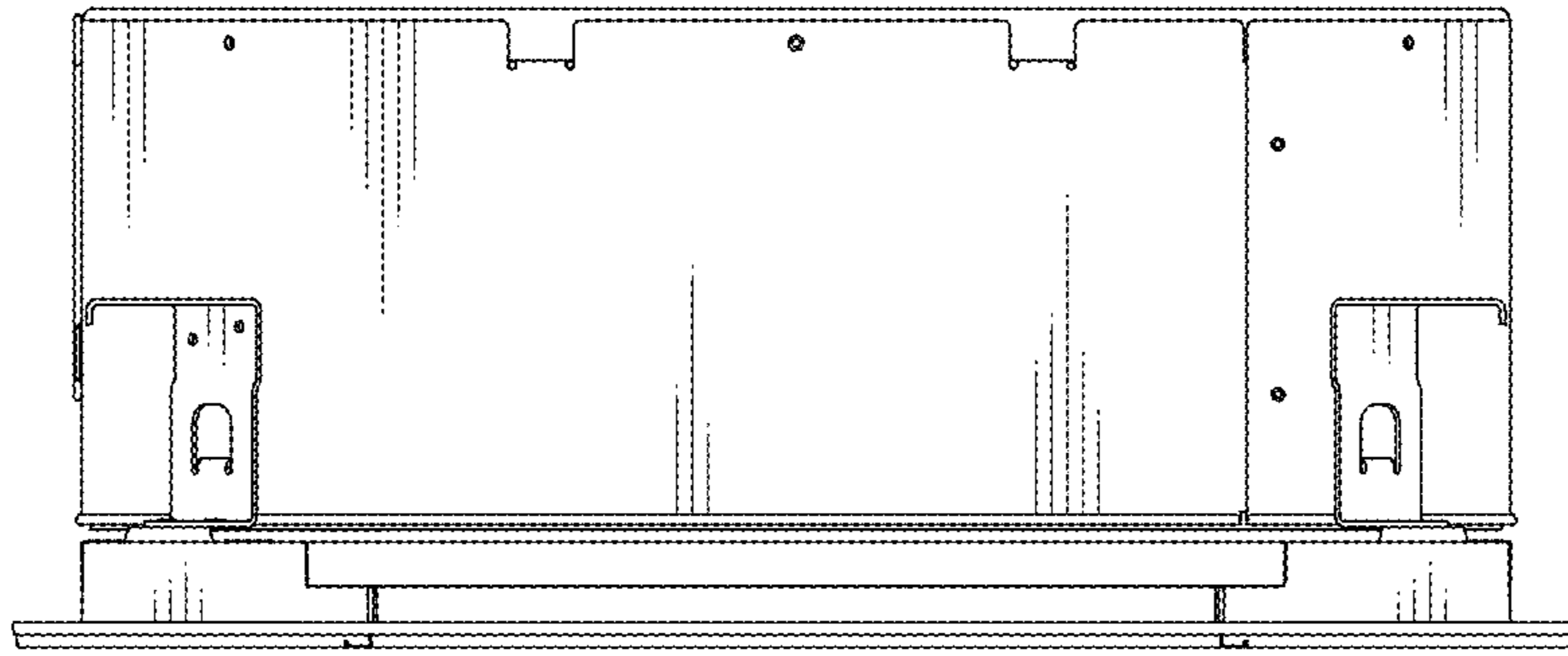


Fig. 5

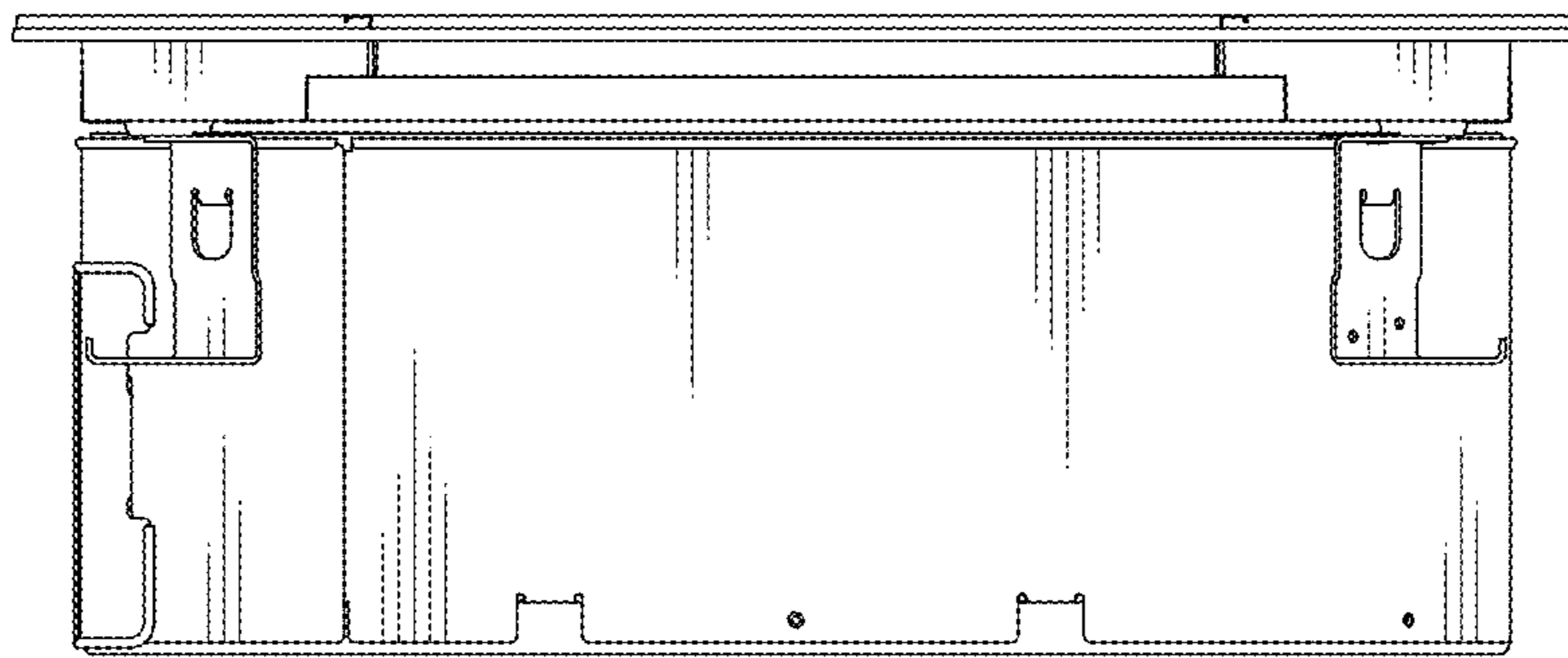


Fig. 6

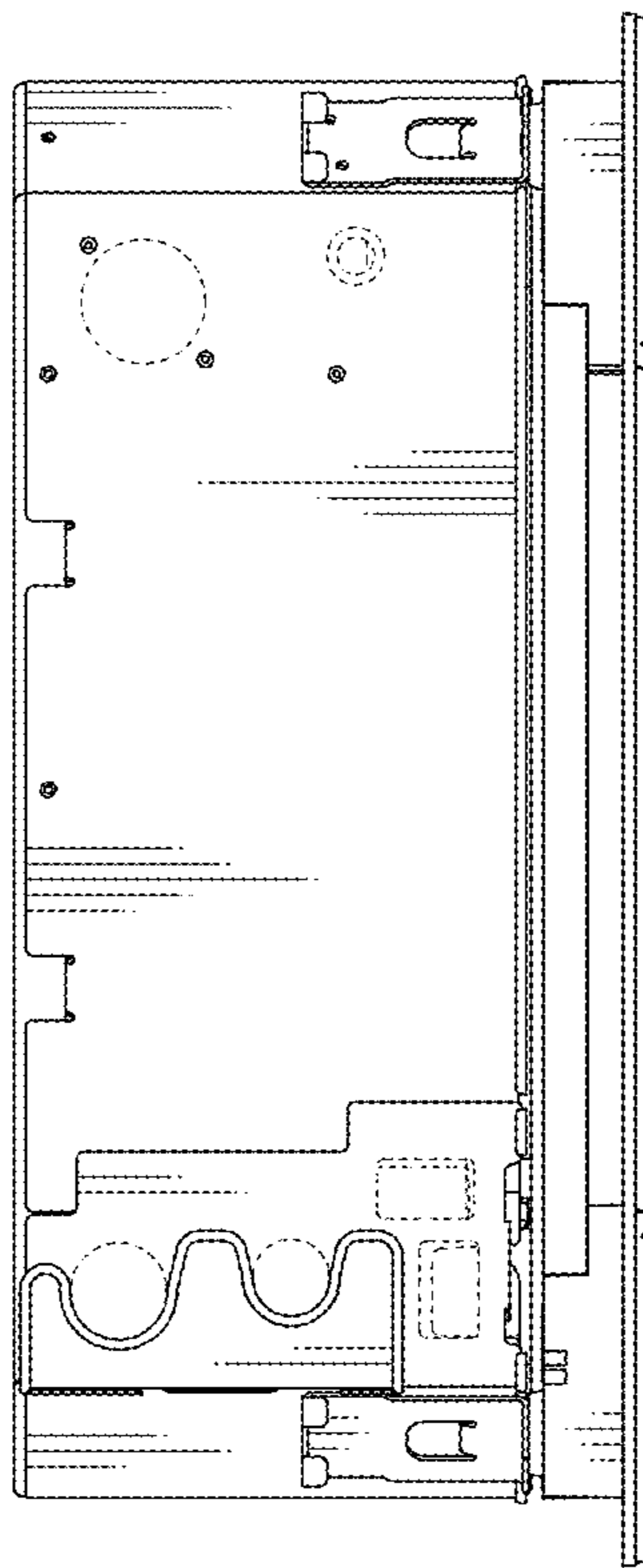


Fig. 7

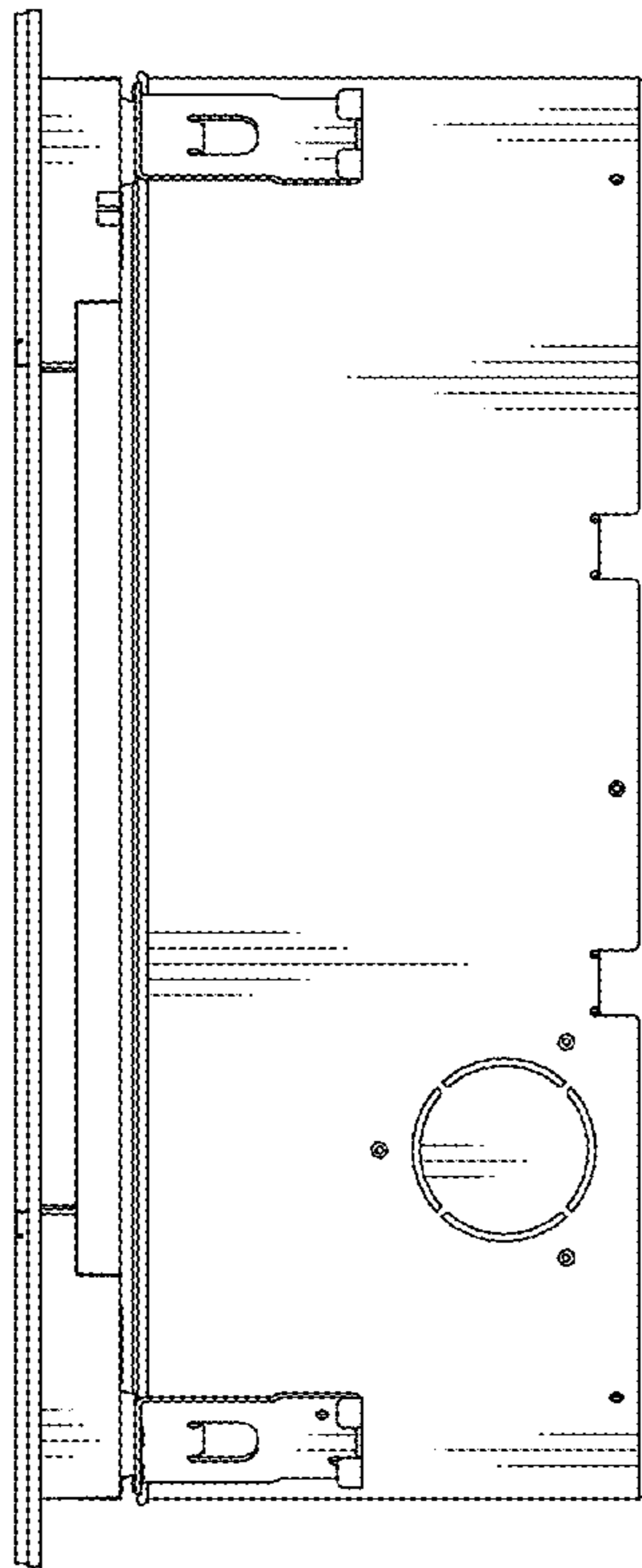




Fig. 8

