



US00D773022S

(12) **United States Design Patent** (10) **Patent No.:** **US D773,022 S**
Deak et al. (45) **Date of Patent:** **** Nov. 29, 2016**

(54) **AIR CONDITIONER**
(71) Applicant: **Electrolux Appliances AB**, Stockholm (SE)
(72) Inventors: **Anton Deak**, Stockholm (SE); **Emme Copparstad**, Stockholm (SE); **Martin Alexanderson**, Stockholm (SE)
(73) Assignee: **ELECTROLUX APPLIANCES AB**, Stockholm (SE)
(**) Term: **15 Years**
(21) Appl. No.: **29/533,677**
(22) Filed: **Jul. 21, 2015**
(51) **LOC (10) Cl.** **23-04**
(52) **U.S. Cl.**
USPC **D23/351**
(58) **Field of Classification Search**
USPC D23/324-327, 332-334, 342-344, D23/351-354, 370, 385, 388; 165/121; 454/284; 62/259.1, 298, 407
CPC F24F 13/08; F24F 13/15; F24F 13/1413; F24F 1/00; F24F 1/27; F24F 2001/0048
See application file for complete search history.

D720,842 S * 1/2015 Chouji D23/351
D740,404 S * 10/2015 Li D23/351
D744,076 S * 11/2015 Xu D23/351
2012/0122389 A1* 5/2012 Kishimoto F24F 1/0007
454/284
2015/0300678 A1* 10/2015 Niimura F24F 13/20
454/284

OTHER PUBLICATIONS

Samsung [online]. Retrieved on Apr. 26, 2016 from URL: http://www.samsung.com/levant/consumer/home-appliances/air-conditioners/wall-mount/AR12HPFNDWK/SG.*

* cited by examiner

Primary Examiner — Manpreet Matharu
Assistant Examiner — Keith Wilson
(74) *Attorney, Agent, or Firm* — Pearne & Gordon LLP

(56) **References Cited**

U.S. PATENT DOCUMENTS

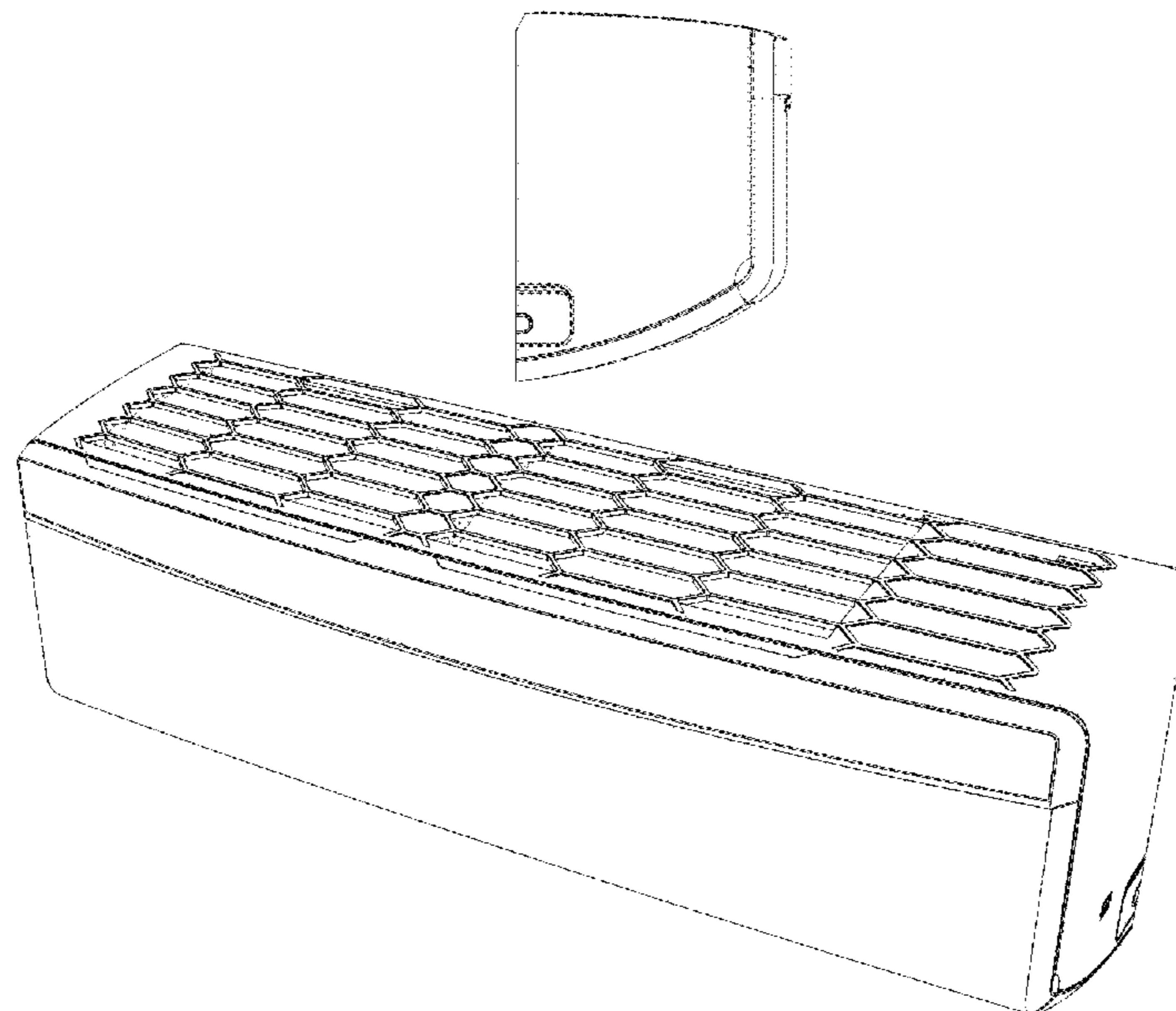
D310,711 S * 9/1990 Welch D23/325
D311,244 S * 10/1990 Allard D23/325
D556,880 S * 12/2007 Choi D23/351
D558,866 S * 1/2008 Yamamoto D23/351
D699,828 S * 2/2014 Saitou D23/351
D700,306 S * 2/2014 Seki D23/351
D700,307 S * 2/2014 Seki D23/351
D720,062 S * 12/2014 Guojie D23/351
D720,445 S * 12/2014 Murai D23/351

(57) **CLAIM**
The ornamental design for an air conditioner, as shown and described.

DESCRIPTION

FIG. 1 is a front view of my invention;
FIG. 2 is a rear view thereof;
FIG. 3 is a right side view thereof
FIG. 4 is a left side view thereof;
FIG. 5 is a top view thereof;
FIG. 6 is a bottom view thereof;
FIG. 7 is a top-right perspective view thereof; and,
FIG. 8 is a bottom-left perspective view thereof.
The broken lines in the drawings illustrate portions of the air conditioner that form no part of the claimed design.

1 Claim, 7 Drawing Sheets



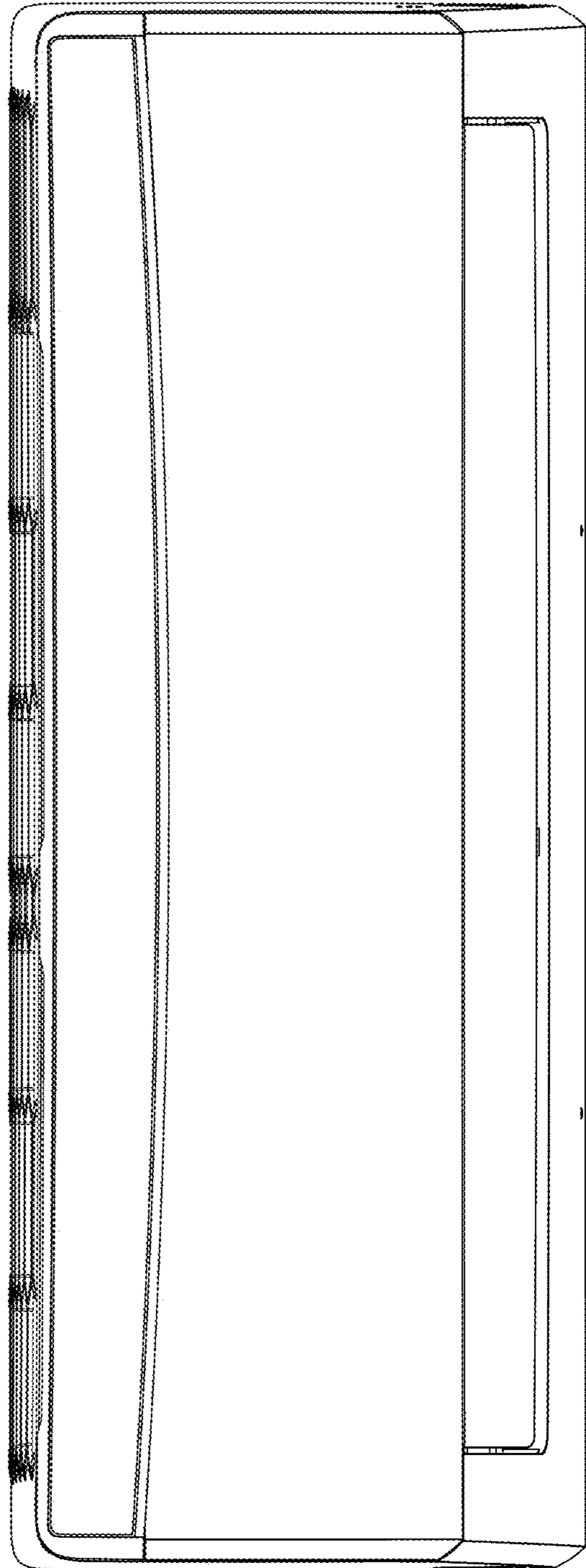


FIG. 1

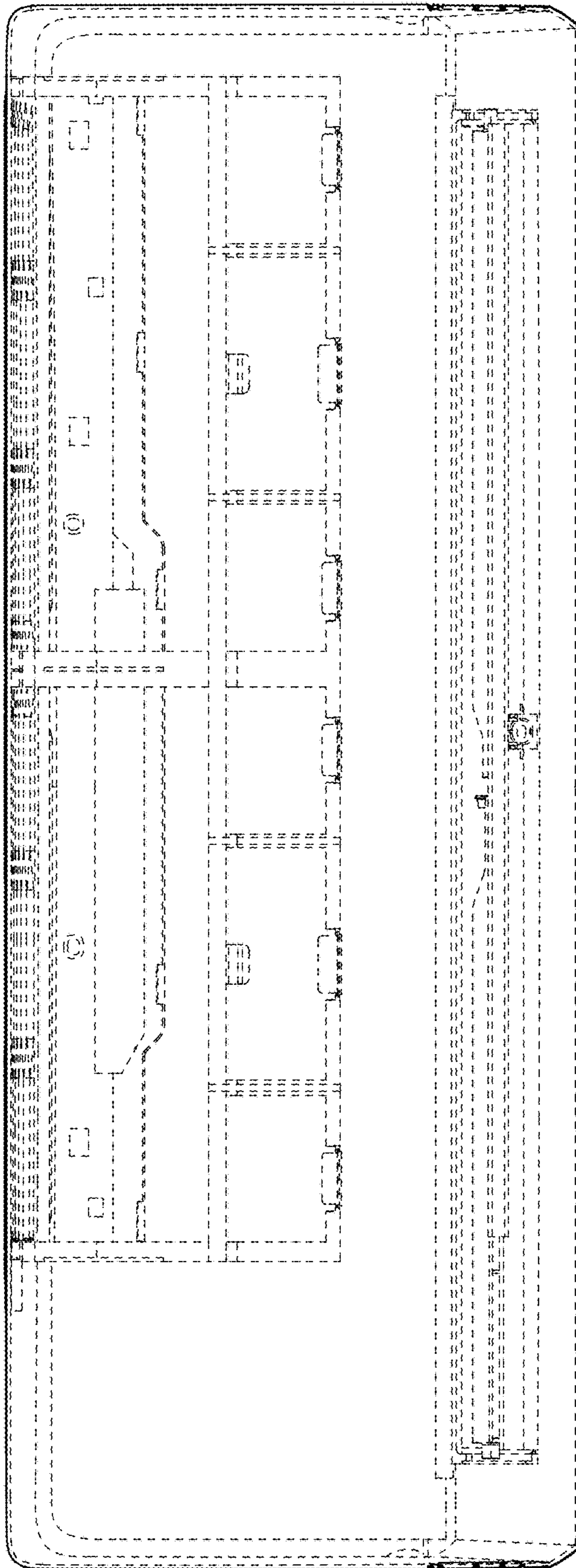


FIG. 2

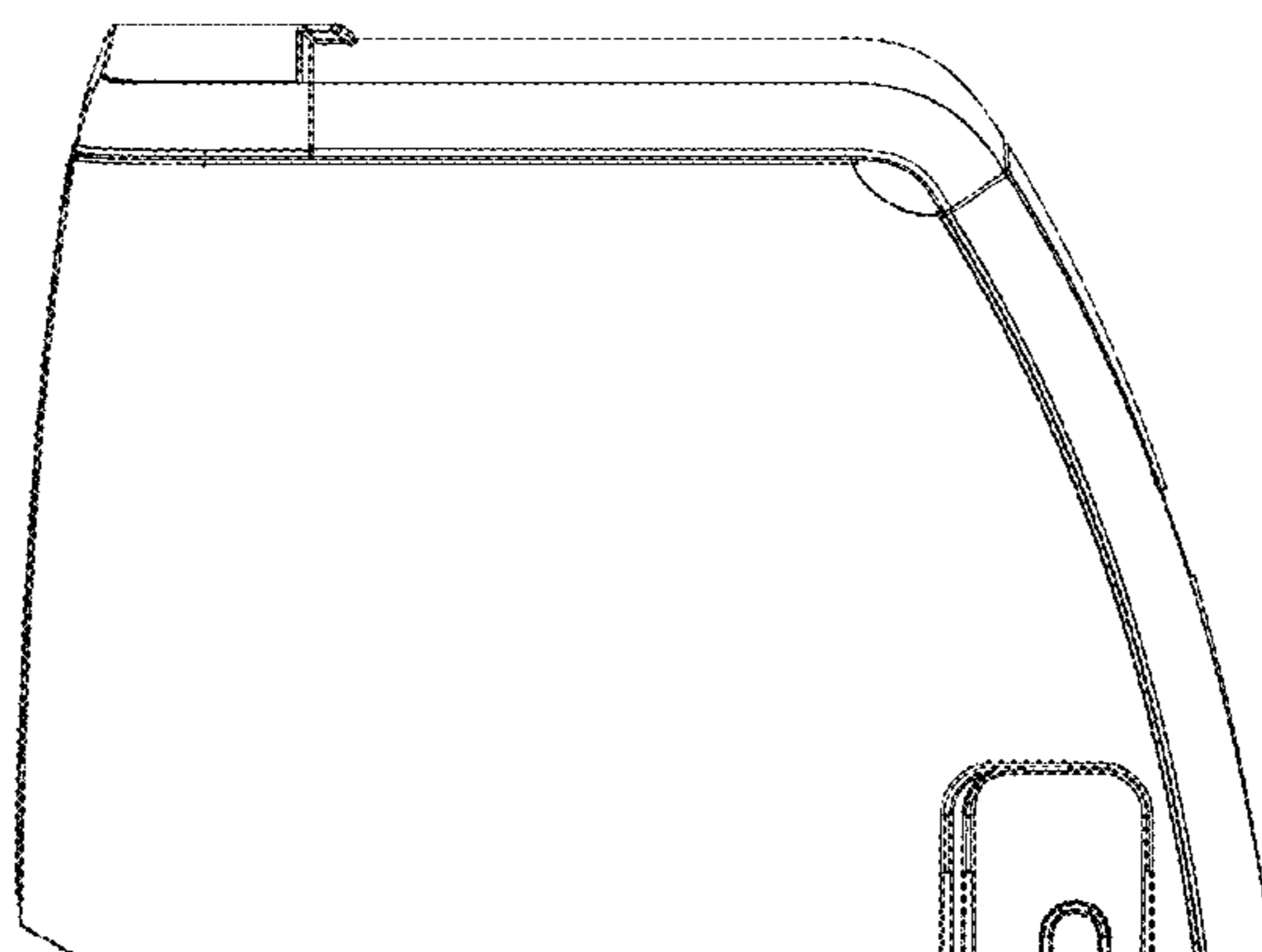


FIG. 4

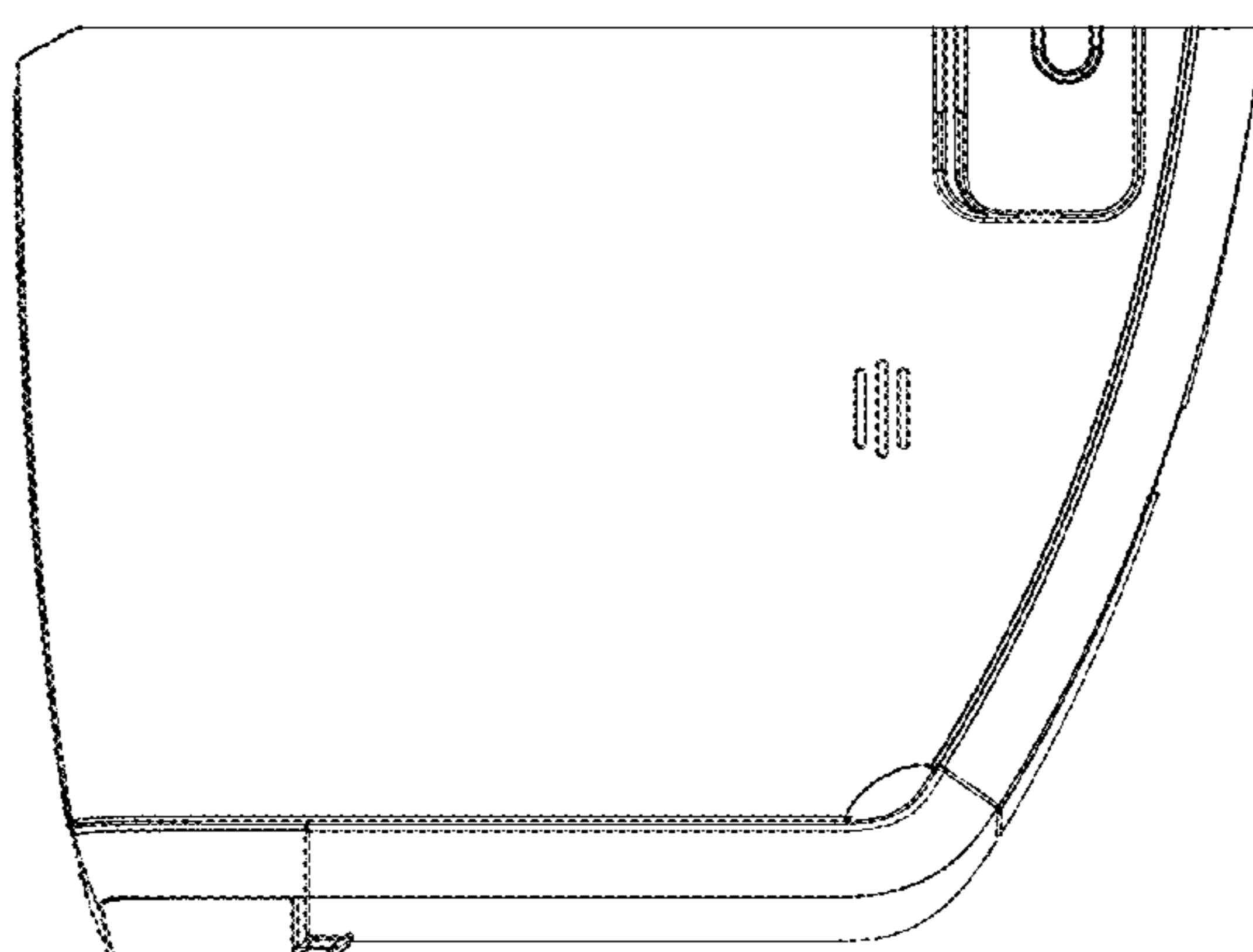


FIG. 3

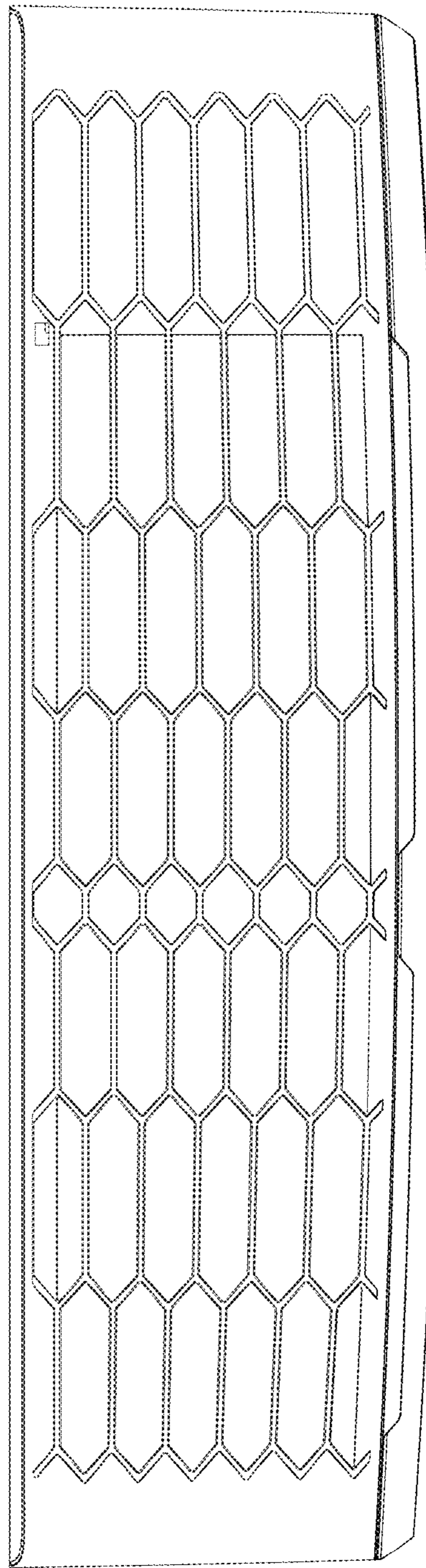


FIG. 5

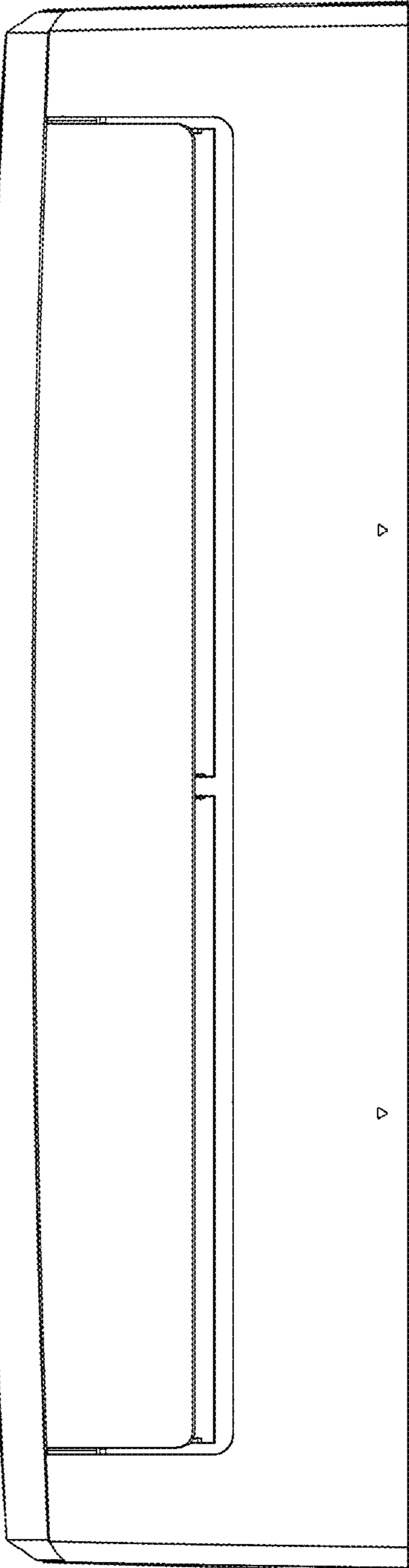


FIG. 6

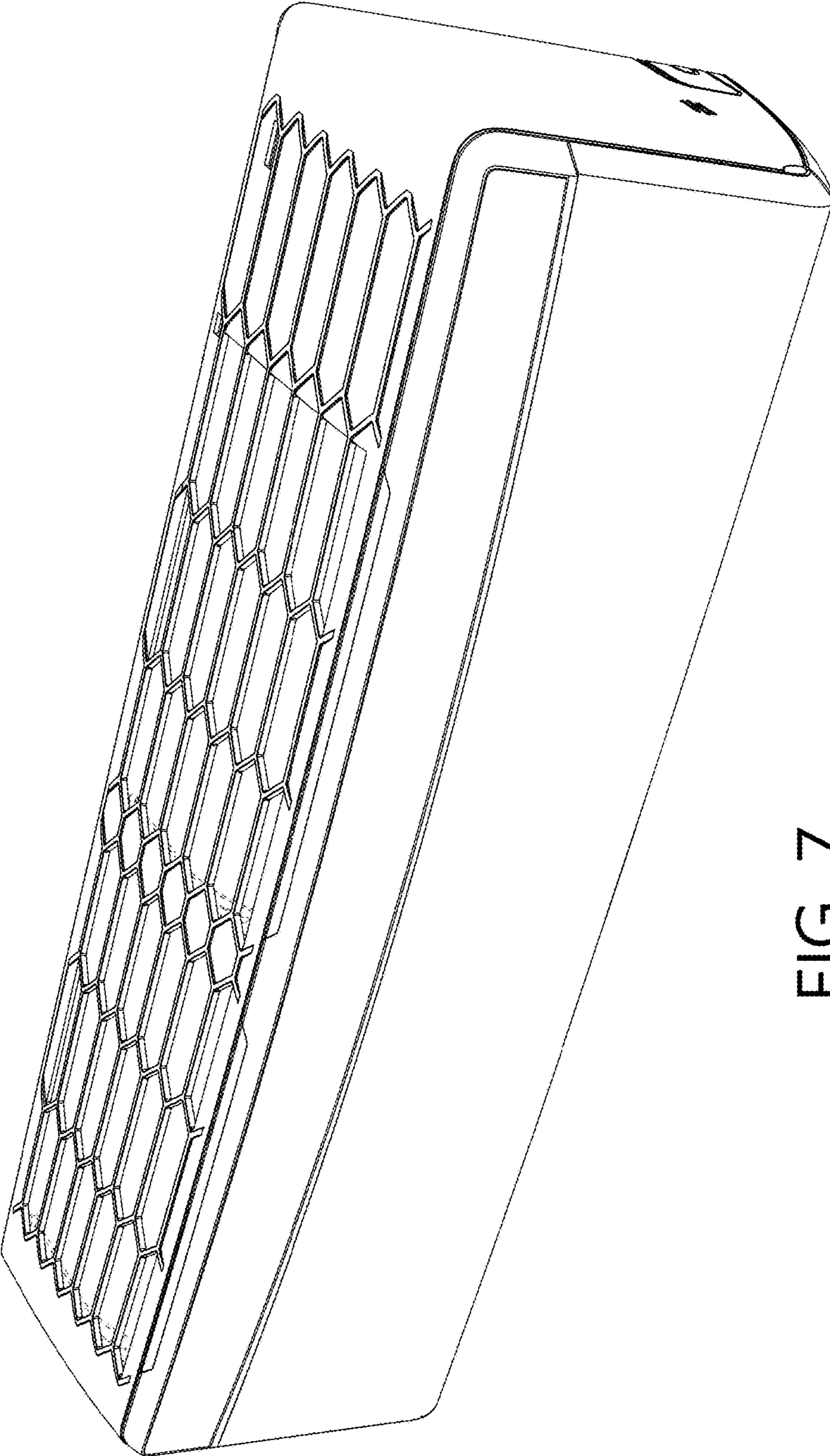


FIG. 7

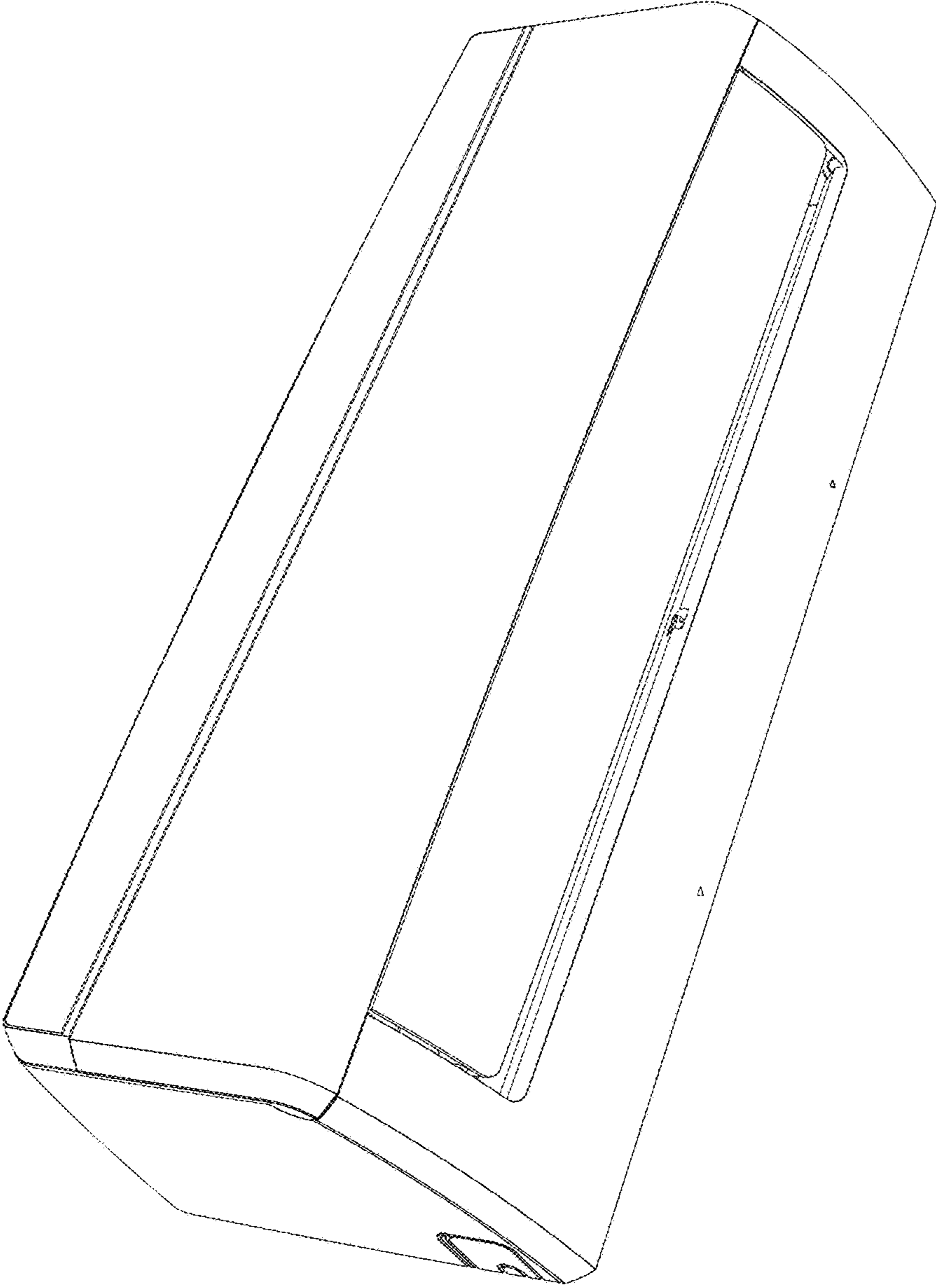


FIG. 8

UNITED STATES PATENT AND TRADEMARK OFFICE
CERTIFICATE OF CORRECTION

PATENT NO. : D773,022 S
APPLICATION NO. : 29/533677
DATED : November 29, 2016
INVENTOR(S) : Deak et al.

Page 1 of 1

It is certified that error appears in the above-identified patent and that said Letters Patent is hereby corrected as shown below:

On the Title Page

Please add the Foreign Application Priority Data under item (30), as follows:

(30) Foreign Application Priority Data
Jan. 28, 2015 (CN) 201530025470.9

Signed and Sealed this
Twenty-second Day of August, 2017



Joseph Matal
*Performing the Functions and Duties of the
Under Secretary of Commerce for Intellectual Property and
Director of the United States Patent and Trademark Office*