

US00D773021S

(12) **United States Design Patent** (10) **Patent No.:** **US D773,021 S**  
**Niki** (45) **Date of Patent:** **\*\* Nov. 29, 2016**

(54) **AIR CONDITIONER**  
(71) Applicant: **Kentarou Niki**, Kusatsu (JP)  
(72) Inventor: **Kentarou Niki**, Kusatsu (JP)  
(73) Assignee: **DAIKIN INDUSTRIES LTD.**,  
Osaka-Shi, Osaka-Fu (JP)  
(\*\*) Term: **14 Years**  
(21) Appl. No.: **29/502,185**  
(22) Filed: **Sep. 12, 2014**

(30) **Foreign Application Priority Data**

Apr. 4, 2014 (JP) ..... 2014-007530

(51) **LOC (10) Cl.** ..... **23-04**

(52) **U.S. Cl.**  
USPC ..... **D23/351**

(58) **Field of Classification Search**  
USPC ..... D23/314, 317, 324, 325, 328, 329, 330,  
D23/332, 333, 335, 341, 342, 351, 353, 354,  
D23/355, 356, 357, 359, 364, 365, 366, 370,  
D23/385, 386, 388, 393, 499  
CPC ..... F24F 1/00; F24F 1/02; F24F 1/08;  
F24F 1/42; F24F 1/46; F24F 1/60; F24F  
1/0003; F24F 1/007; F24F 1/0011; F24F  
3/044; F24F 3/048; F24F 3/16; F24F 7/00;  
F24F 7/04; F24F 12/001; F24F 12/006;  
F24F 13/20

See application file for complete search history.

(56) **References Cited**

**U.S. PATENT DOCUMENTS**

D565,158 S \* 3/2008 Nagahori ..... D23/351  
D613,842 S \* 4/2010 Yamashita ..... D23/351

D616,083 S \* 5/2010 Saitou ..... D23/351  
D621,920 S \* 8/2010 Yamana ..... D23/351  
D624,167 S \* 9/2010 Mishiro ..... D23/351  
D632,769 S \* 2/2011 Seki ..... D23/351  
D637,704 S \* 5/2011 Dukes ..... D23/342  
D641,846 S \* 7/2011 Seki ..... D23/351  
D642,248 S \* 7/2011 Chouji ..... D23/351  
D642,249 S \* 7/2011 Seki ..... D23/351  
D669,567 S \* 10/2012 Yamana ..... D23/351  
2011/0211944 A1 \* 9/2011 Ohishi ..... F24F 1/0011  
415/182.1  
2012/0135674 A1 \* 5/2012 Uehara ..... F24F 1/0007  
454/338

\* cited by examiner

*Primary Examiner* — Susan E Krakower

*Assistant Examiner* — Lisa A Grabenstetter

(74) *Attorney, Agent, or Firm* — Manabu Kanesaka

(57) **CLAIM**

The ornamental design for an air conditioner, as shown and described.

**DESCRIPTION**

FIG. 1 is a perspective view of an air conditioner showing my new design;

FIG. 2 is a front view thereof;

FIG. 3 is a rear view thereof;

FIG. 4 is a top plan view thereof;

FIG. 5 is a bottom plan view thereof;

FIG. 6 is a left side view thereof;

FIG. 7 is a right side view thereof; and,

FIG. 8 is an enlarged cross-sectional view thereof along the line 8-8 in FIG. 2.

The broken lines depict portions of the air conditioner that form no part of claimed design.

**1 Claim, 5 Drawing Sheets**

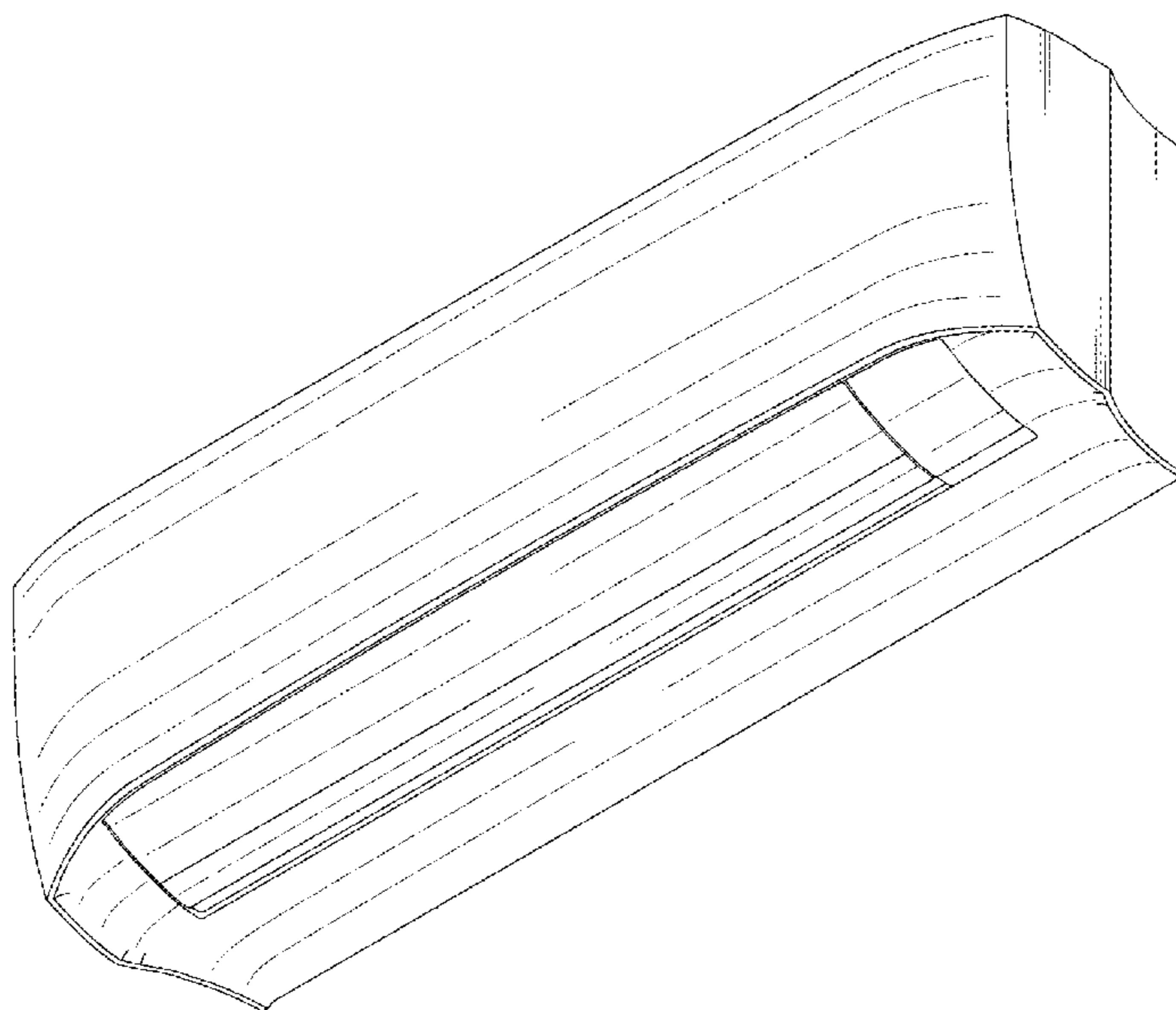


Fig.1

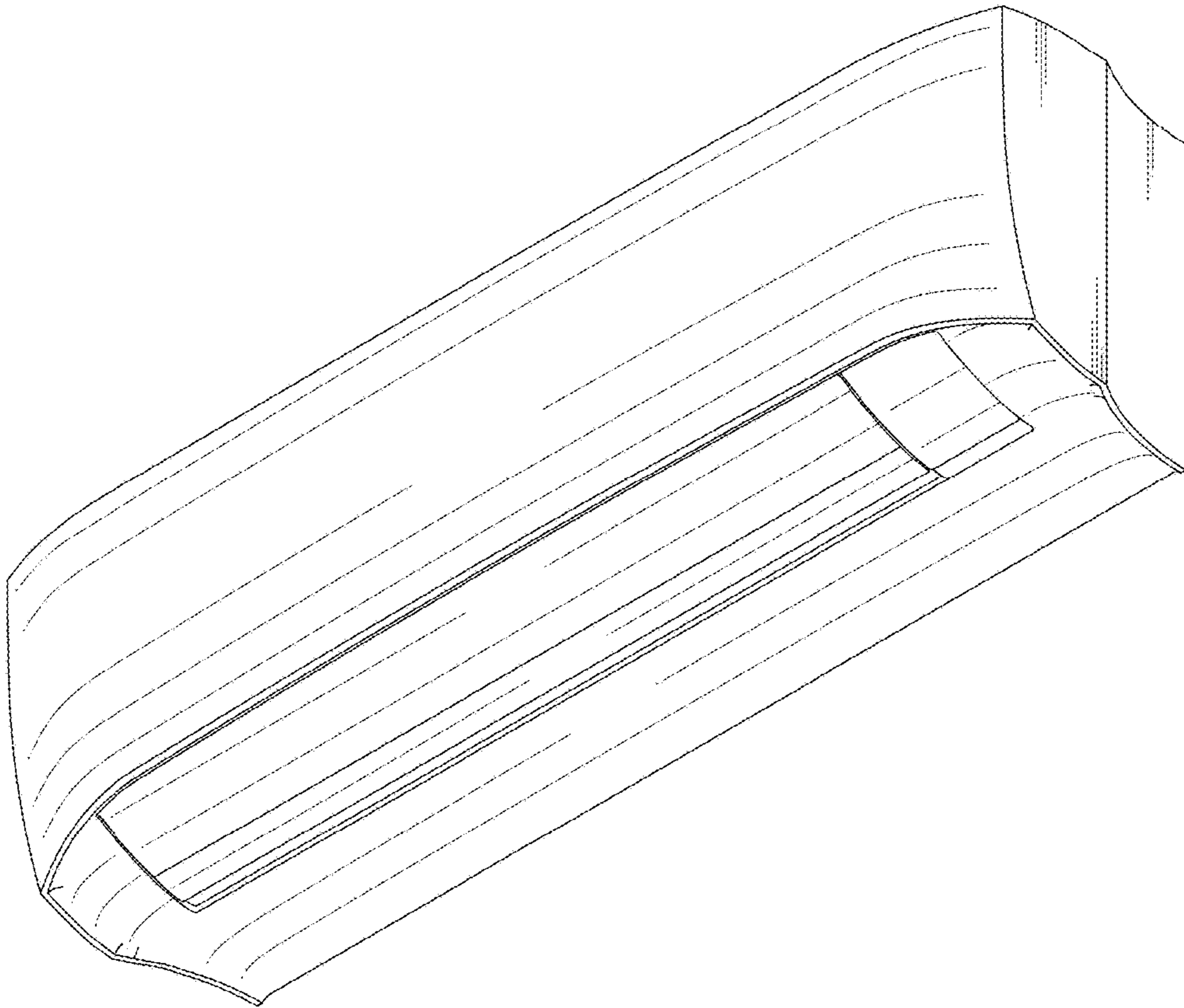
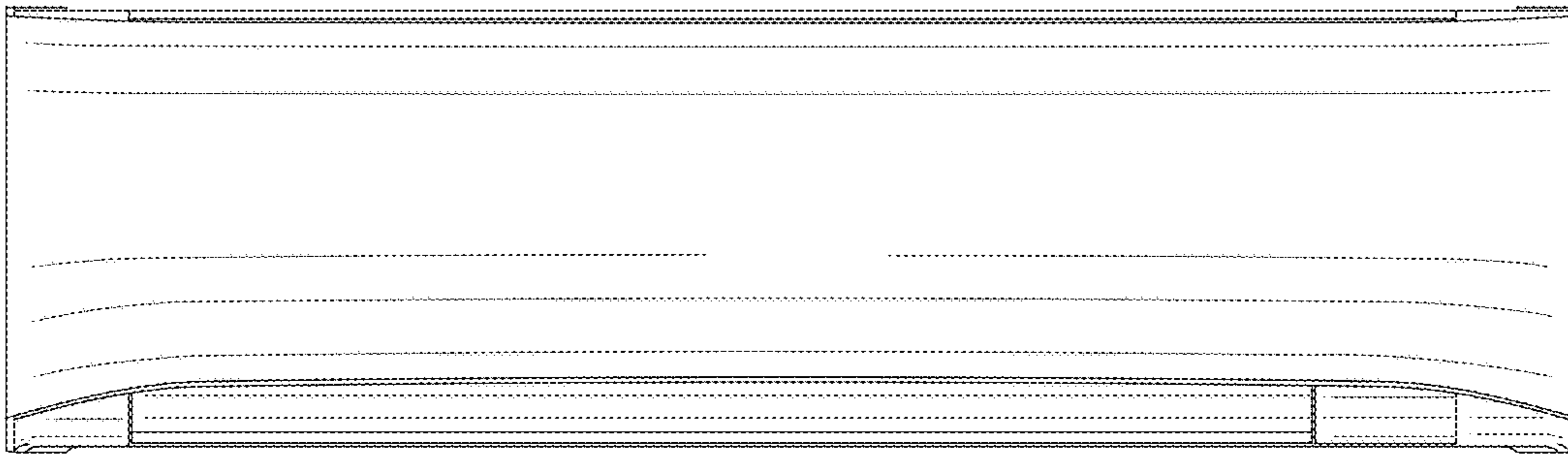


Fig.2

8 ←



8 ←

Fig.3

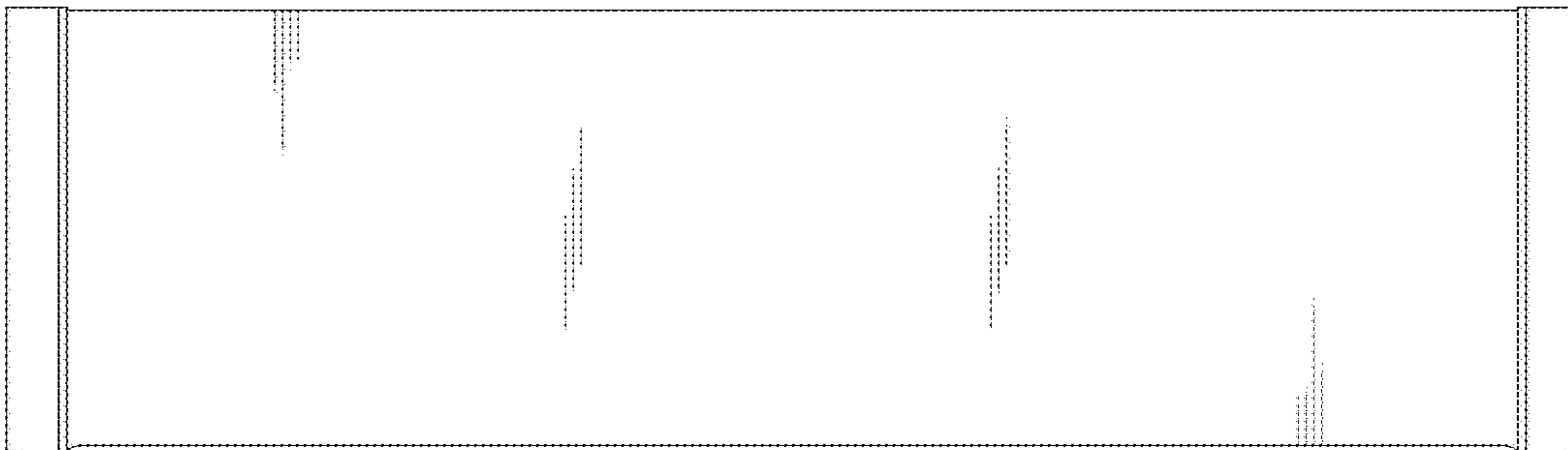


Fig.4

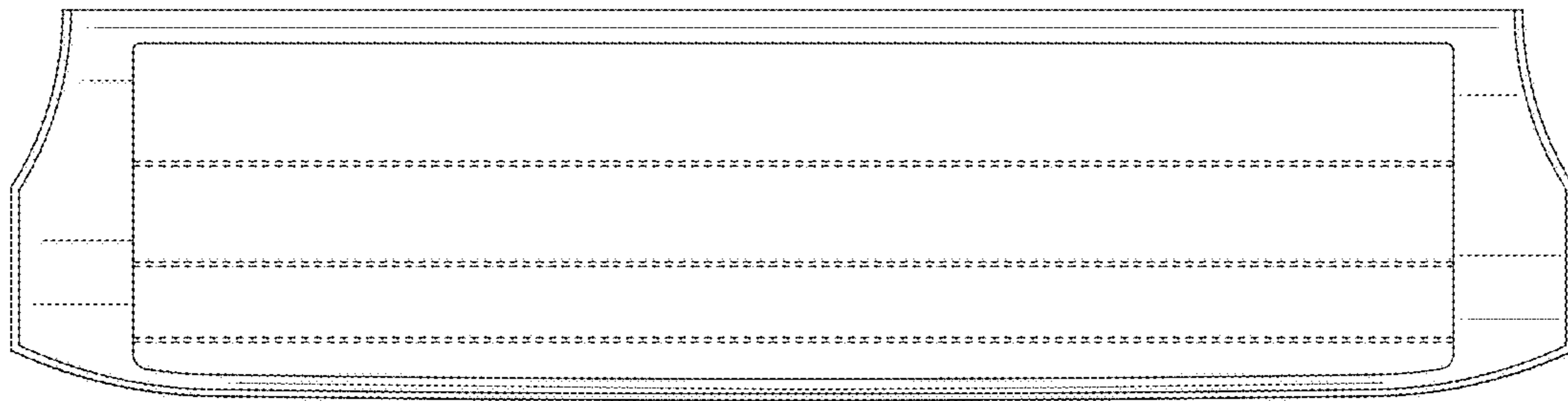


Fig.5

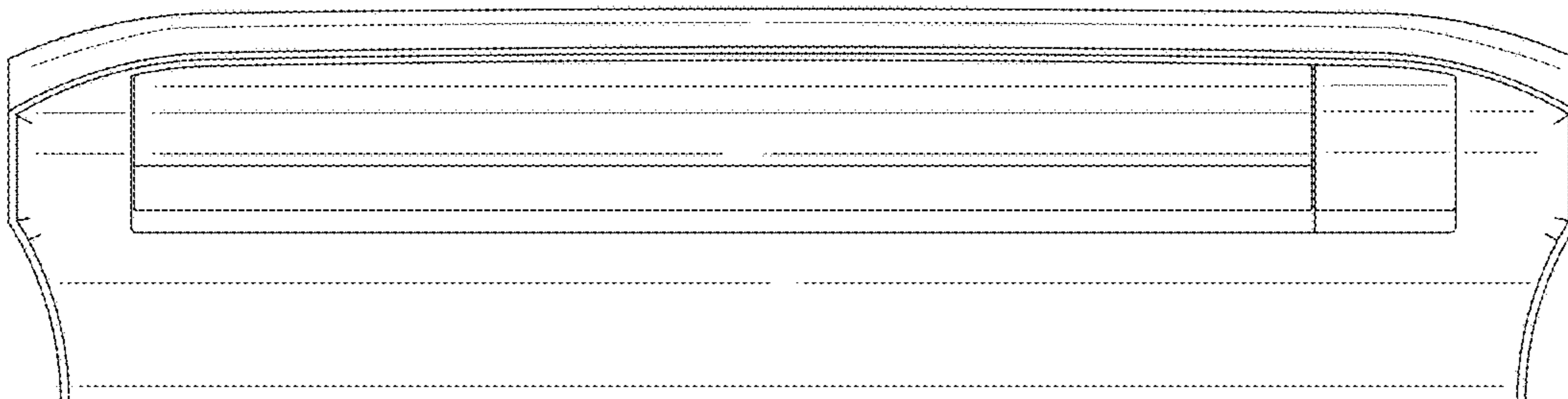


Fig.6

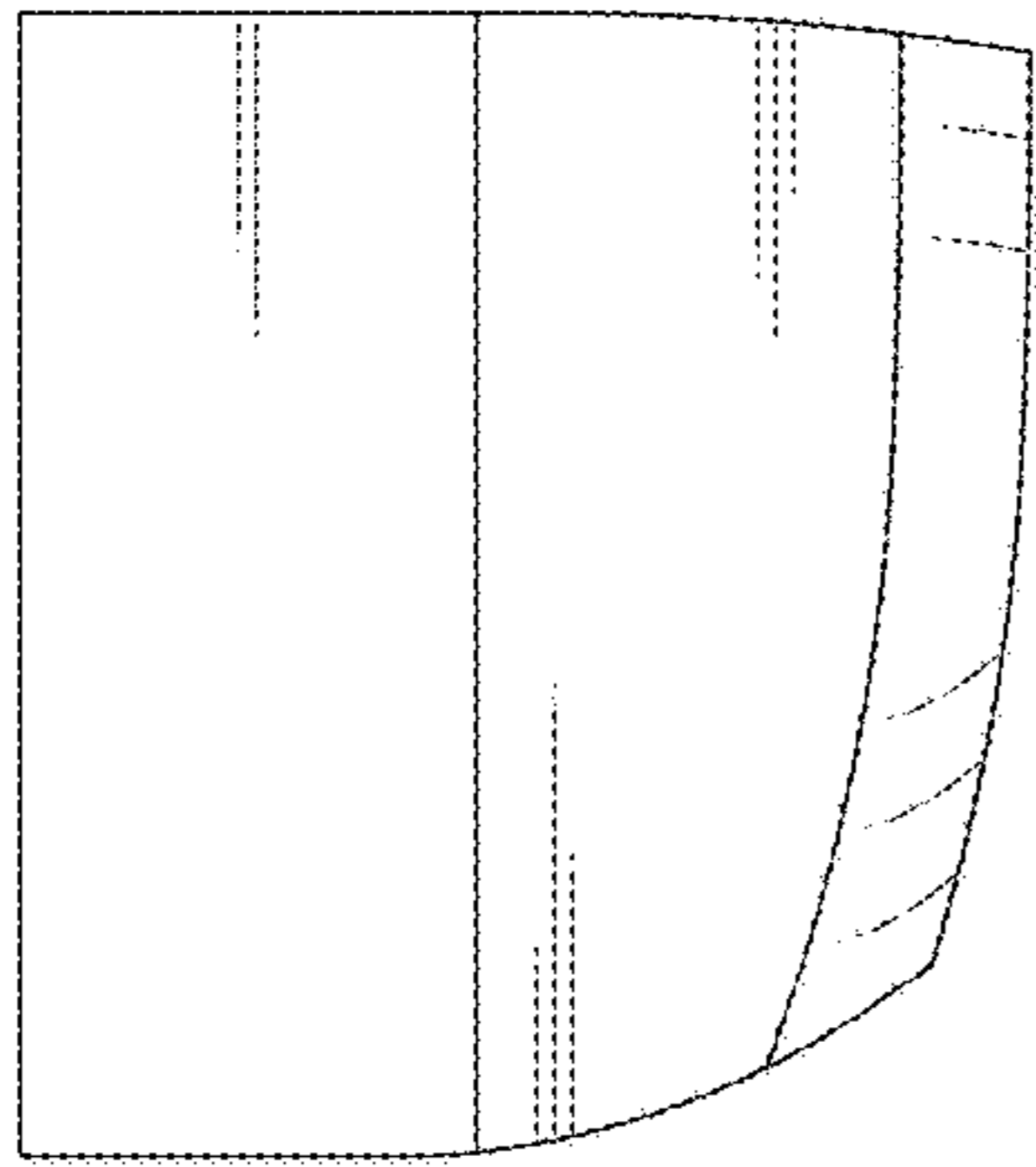


Fig.7

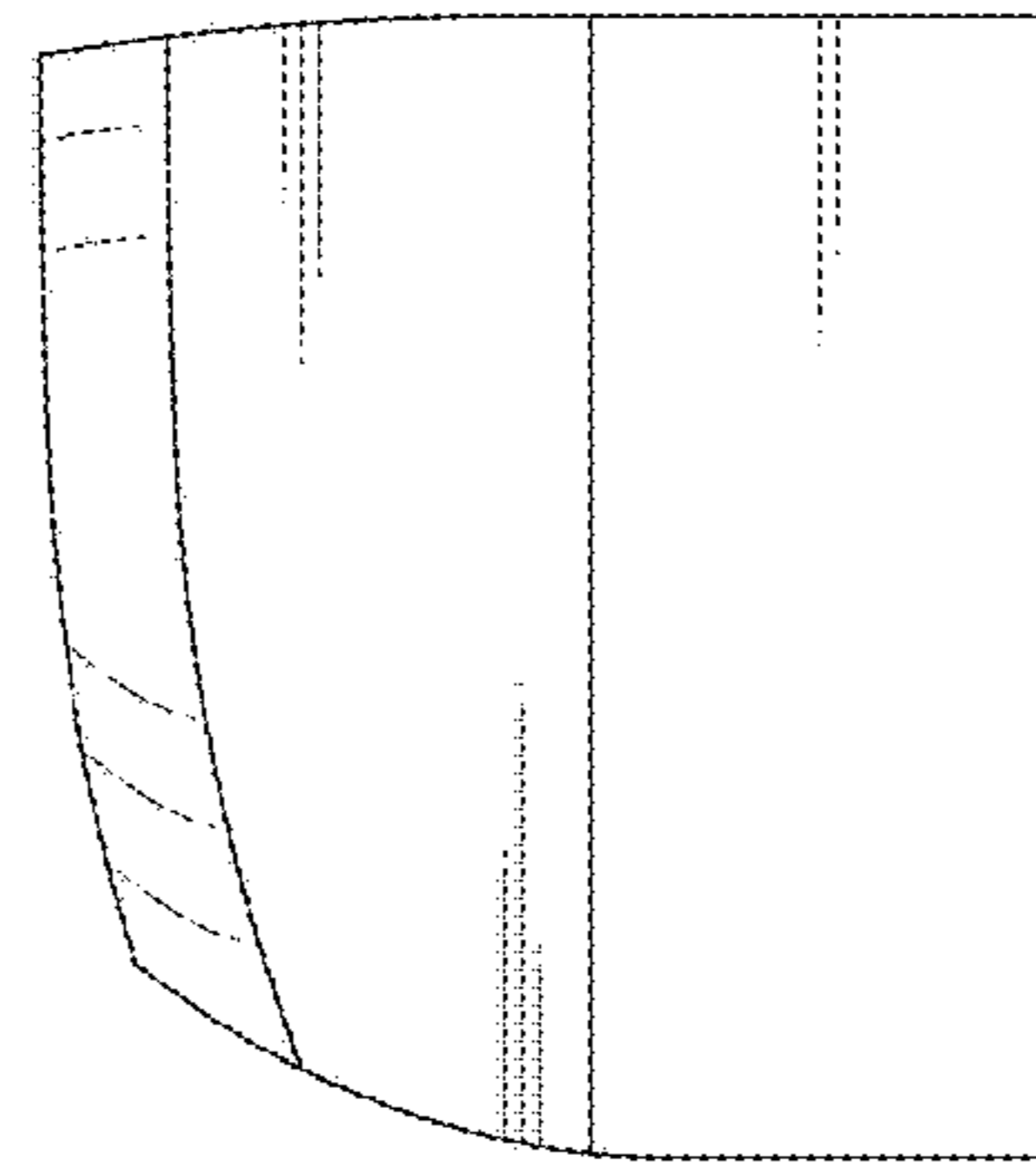


Fig.8

