



US00D773019S

(12) **United States Design Patent** (10) **Patent No.:** **US D773,019 S**  
**Garrels et al.** (45) **Date of Patent:** **\*\* Nov. 29, 2016**

(54) **TOILET**  
(71) Applicant: **Kohler Co.**, Kohler, WI (US)  
(72) Inventors: **Clayton C. Garrels**, Kohler, WI (US);  
**Robin A. Goad**, Sheboygan, WI (US)  
(73) Assignee: **KOHLER CO.**, Kohler, WI (US)  
(\*\*) Term: **14 Years**  
(21) Appl. No.: **29/525,738**  
(22) Filed: **May 1, 2015**  
(51) **LOC (10) Cl.** ..... **23-02**  
(52) **U.S. Cl.**  
USPC ..... **D23/309**  
(58) **Field of Classification Search**  
USPC ..... D23/295, 301, 303, 309, 313  
CPC ..... E03D 1/00; E03D 1/01; E03D 1/012;  
E03D 1/26; E03D 1/28  
See application file for complete search history.

D507,335 S 7/2005 Gordon  
D514,208 S 1/2006 Gordon  
D529,153 S 9/2006 Gordon  
D532,875 S 11/2006 Kaule  
D558,863 S \* 1/2008 Taguchi ..... D23/295  
D594,942 S \* 6/2009 Slothower ..... D23/295

**OTHER PUBLICATIONS**

Kohler; Kathryn Comfort Height Toilet K-3940, 2 pages.  
Kohler; San Souci Comfort Height Toilet K-5172, 2 pages.  
2000 Kohler catalog ad, p. 15.18, showing a "Wellworth" toilet, 1 page.

(Continued)

*Primary Examiner* — Robert Delehanty  
(74) *Attorney, Agent, or Firm* — Foley & Lardner LLP

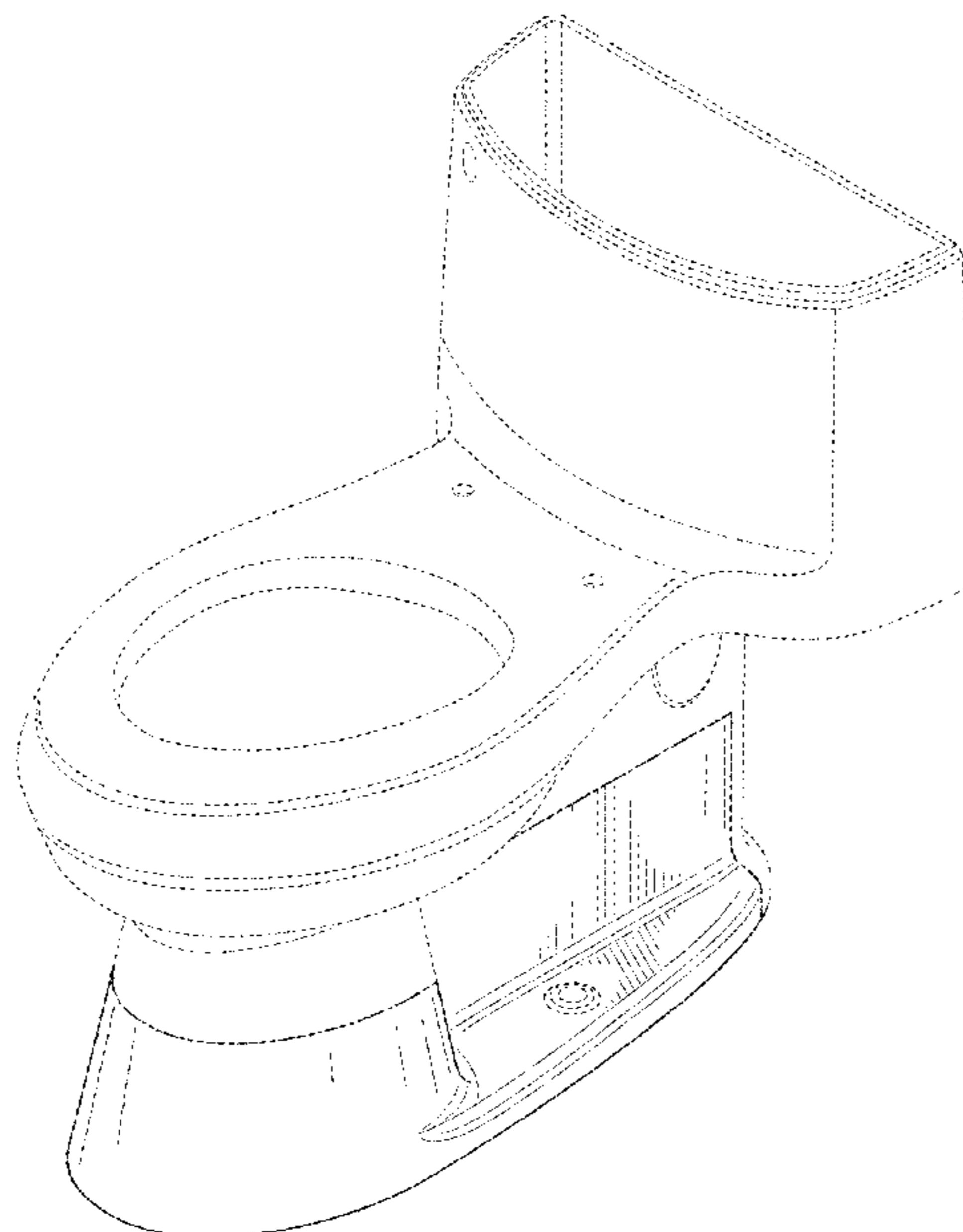
(57) **CLAIM**  
We claim the ornamental design for a toilet, as shown and described.

**DESCRIPTION**

FIG. 1 is a perspective view of an embodiment of the claimed design;  
FIG. 2 is a left side plan view of the design of FIG. 1;  
FIG. 3 is a right side plan view of the design of FIG. 1;  
FIG. 4 is a front plan view of the design of FIG. 1;  
FIG. 5 is a rear plan view of the design of FIG. 1;  
FIG. 6 is a top plan view of the design of FIG. 1; and,  
FIG. 7 is a bottom plan view of the design of FIG. 1.  
The ornamental design which is claimed is shown in solid lines in the drawings. The broken lines in the drawings are for illustrative purposes only and form no part of the claimed design. Broken lines formed by equal length dashes show unclaimed portions of the design. Broken lines formed of unequal length dashes (i.e., dash-dot) show boundaries between claimed and unclaimed portions of the design.

(56) **References Cited**  
**U.S. PATENT DOCUMENTS**  
D217,551 S 5/1970 Manning  
D226,432 S 3/1973 Anderson  
D268,779 S \* 4/1983 Doman ..... D23/295  
D310,407 S \* 9/1990 Stairs, Jr. .... D23/301  
D355,709 S 2/1995 Osada  
D360,936 S \* 8/1995 Liddicoat ..... D23/295  
D377,209 S 1/1997 Tani et al.  
D410,998 S 6/1999 Jones  
D438,939 S 3/2001 Kawamura  
D439,638 S 3/2001 Hundley  
D465,272 S 11/2002 Gordon  
D471,621 S 3/2003 Bennie  
D472,310 S 3/2003 Kawamura  
D505,190 S \* 5/2005 Cutler ..... D23/295

**1 Claim, 7 Drawing Sheets**



(56)

**References Cited**

OTHER PUBLICATIONS

Undated Allia catalog ad showing an "Optima" toilet, 1 page.  
Undated Sterling catalog ad showing a "Windham" toilet, 1 page.  
2000 Kohler catalog ad, p. 17.3, showing "Highline" and "Wellworth" toilets, 1 page.  
Undated Jacob Delafon catalog ad showing a "Brive 2" toilet, 1 page.

1984 Ideal Standard catalog ad, p. 35, showing a "Tulip" toilet, 1 page.

Kohler website page, Cimarron Comfort Height Elongated Two-Piece Toilet, 1 page.

Kohler website page, Wellworth Elongated Toilet, 1 page.

Toto website page, picture of one-piece toilet, 1 page.

\* cited by examiner

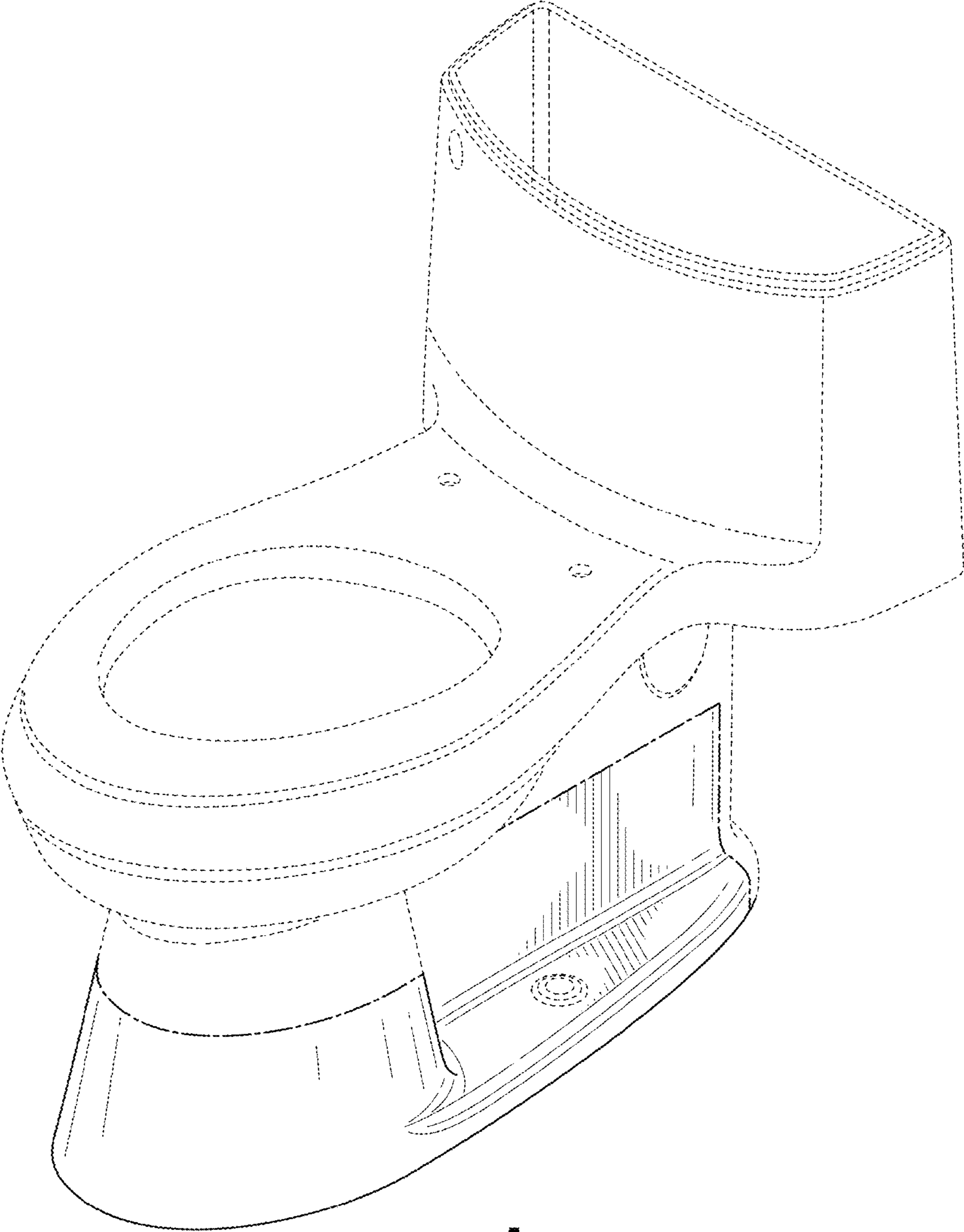


FIG. 1

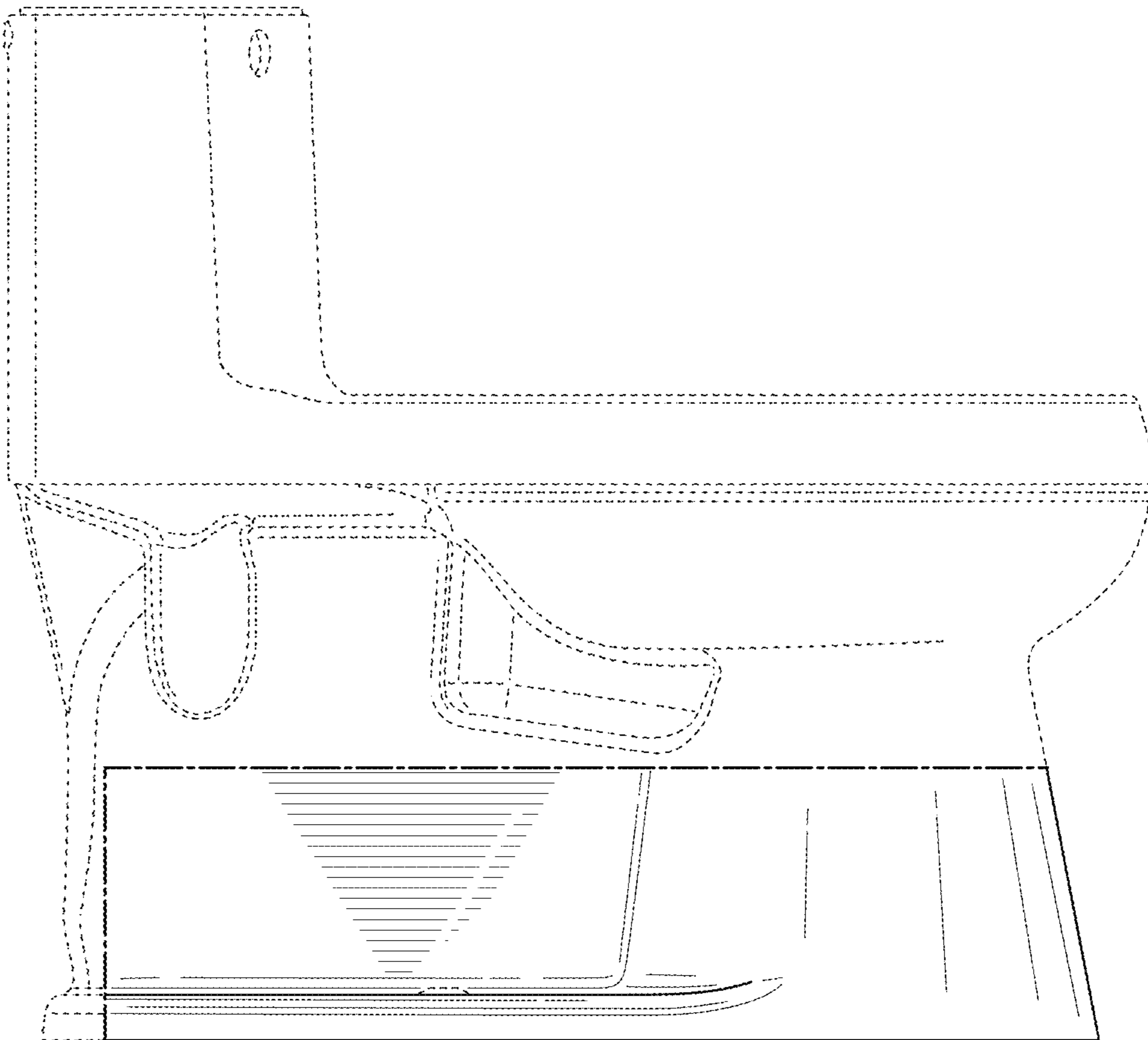
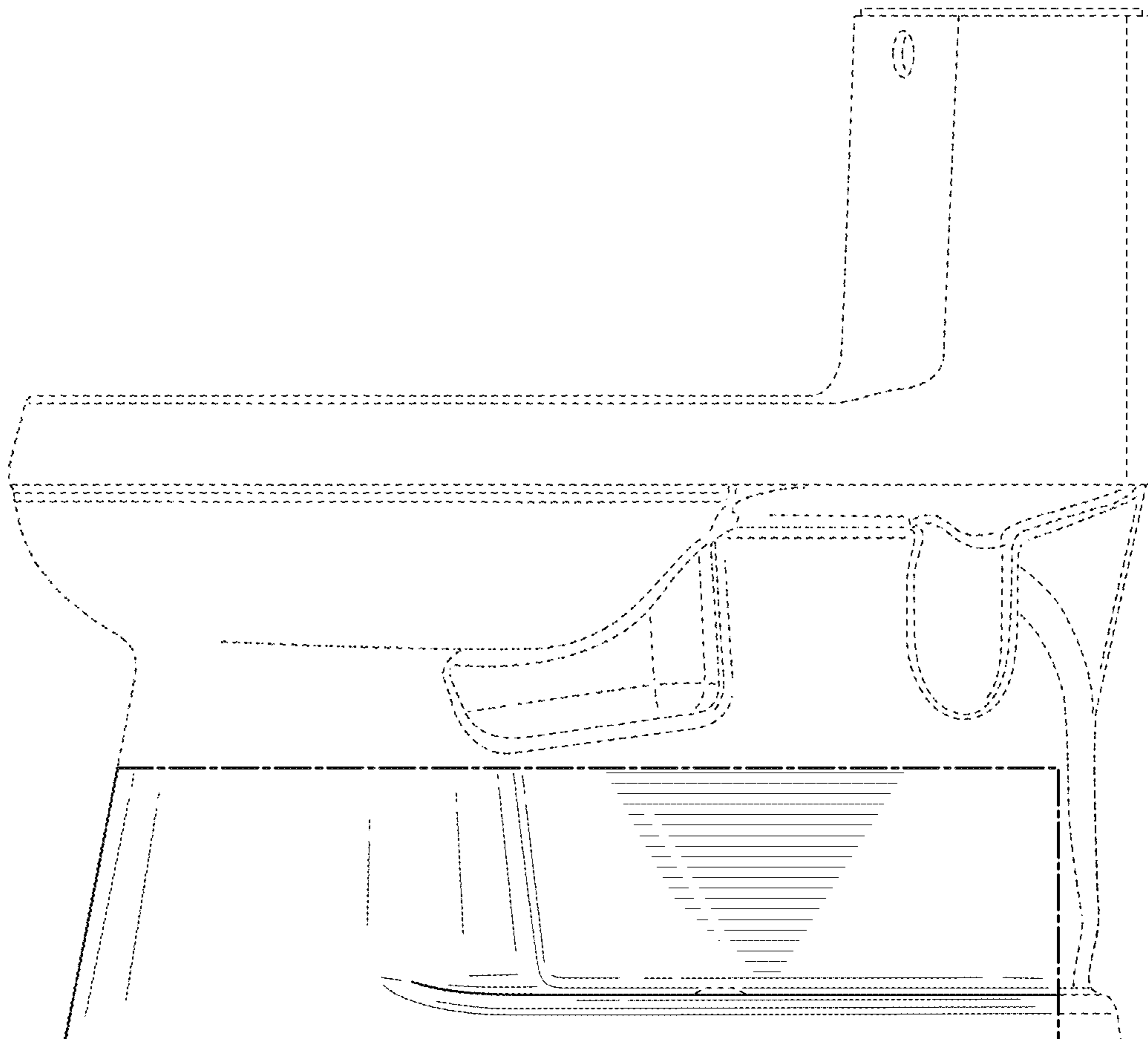


FIG. 2



**FIG. 3**

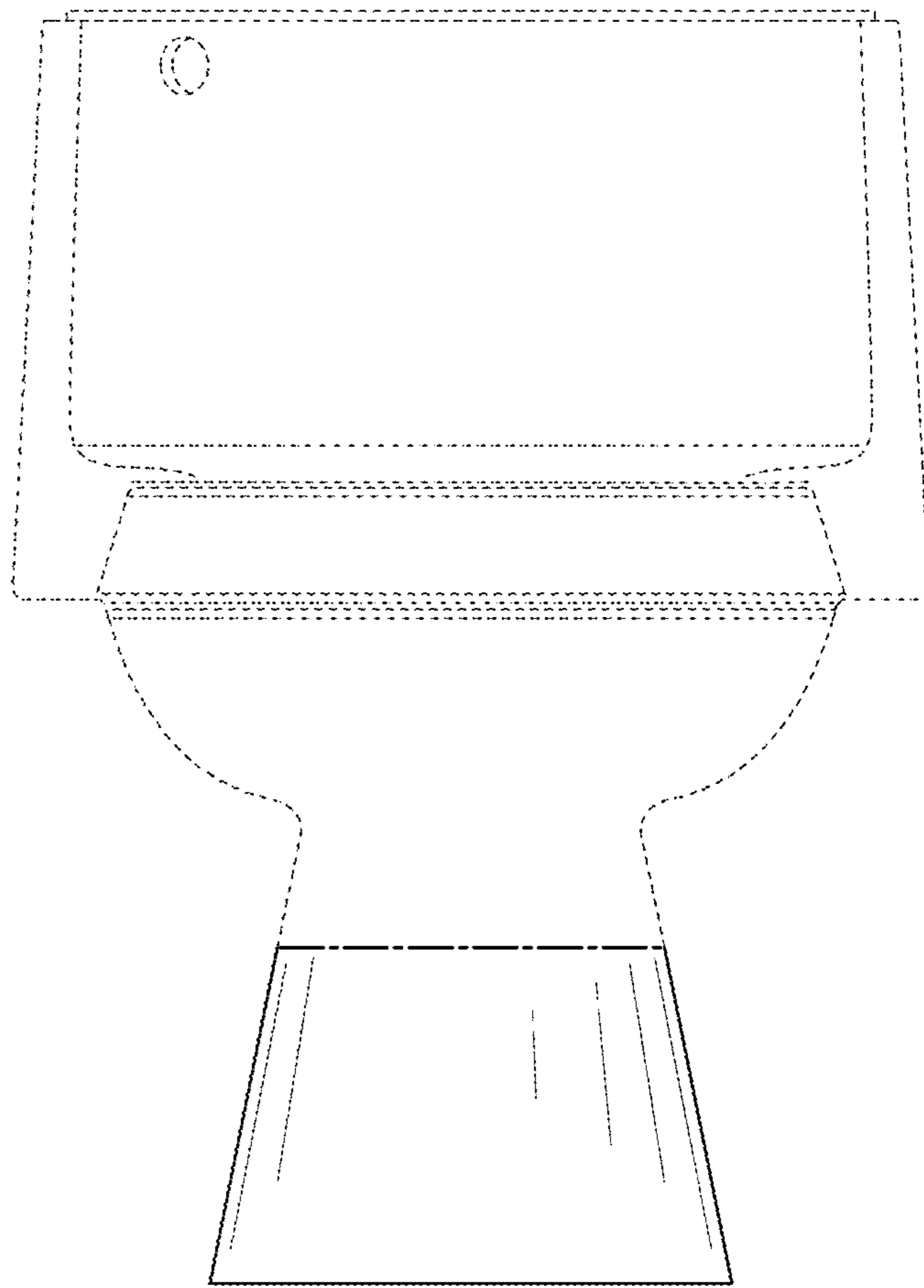
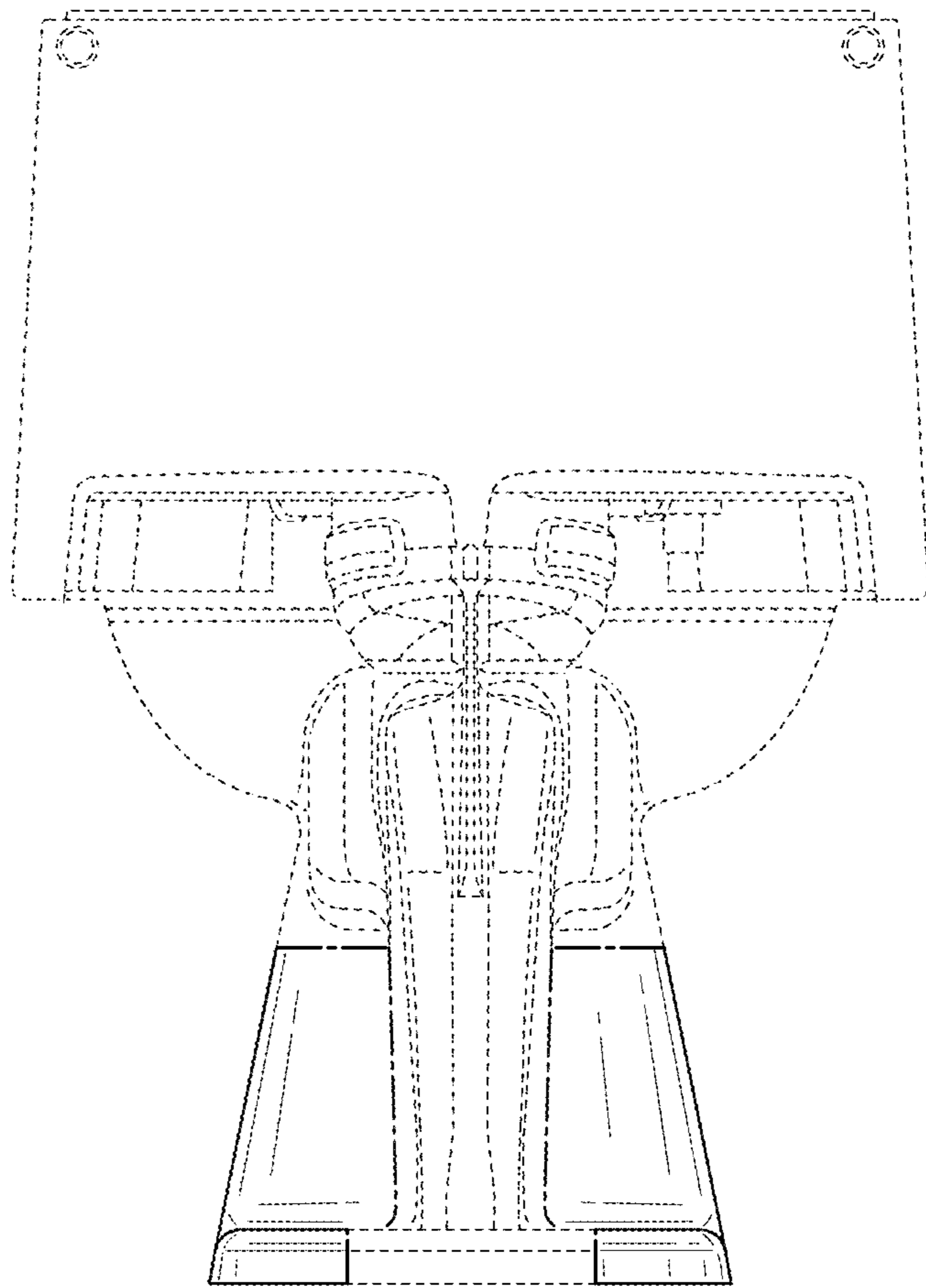
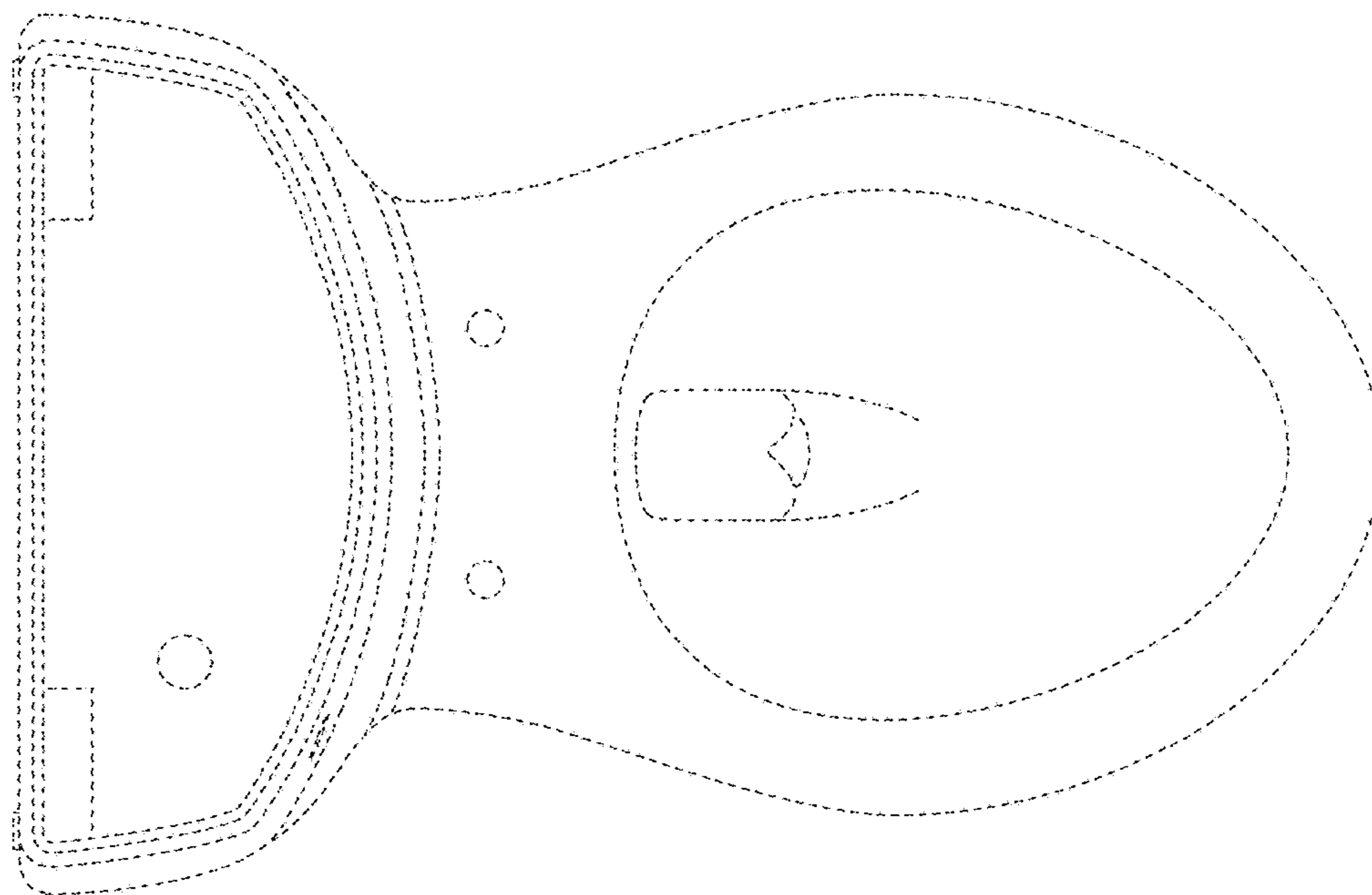


FIG. 4

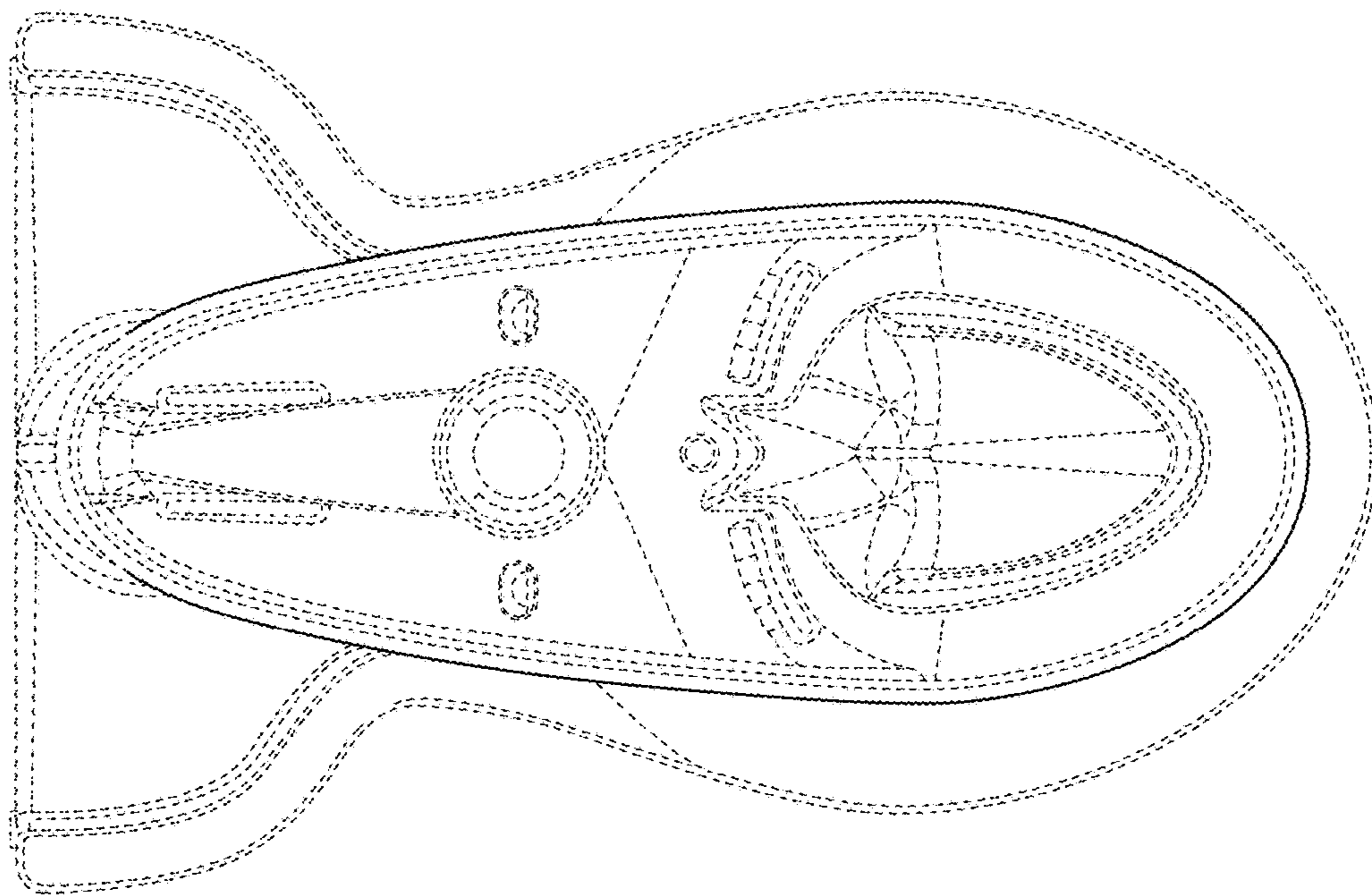


**FIG. 5**



**FIG. 6**





**FIG. 7**