



US00D773017S

(12) **United States Design Patent**
Schulze

(10) **Patent No.:** **US D773,017 S**

(45) **Date of Patent:** **** Nov. 29, 2016**

(54) **PLUMBING PIPE**

(71) Applicant: **Geberit International AG**, Jona (CH)

(72) Inventor: **Michael Schulze**, Temecula, CA (US)

(73) Assignee: **Geberit International AG**, Jona (CH)

(**) Term: **14 Years**

(21) Appl. No.: **29/520,346**

(22) Filed: **Mar. 13, 2015**

(51) **LOC (10) Cl.** **23-01**

(52) **U.S. Cl.**
USPC **D23/266**

(58) **Field of Classification Search**
USPC D13/155; D23/205, 213, 223–224,
D23/229–230, 237, 259, 263, 266; D24/129
CPC B29D 23/001; E03D 11/16; F16L 37/252;
F16L 39/00; F16L 43/001; F16L 11/133;
F16L 59/15; F16L 33/01; F16L 9/003;
F16L 9/22; H02G 3/06
See application file for complete search history.

(56) **References Cited**

U.S. PATENT DOCUMENTS

1,911,454	A *	5/1933	Luff	E03C 1/122 285/125.1
2,039,542	A *	5/1936	Lindquist	F16L 13/08 285/133.3
D180,010	S *	4/1957	Britton	D23/235
4,429,568	A *	2/1984	Sullivan	G01M 3/022 138/90
4,584,723	A *	4/1986	Hussauf	E03C 1/042 137/270
5,381,831	A *	1/1995	Versland	A61H 33/02 137/868

5,509,150	A *	4/1996	Bergmann	E03C 1/2302 4/689
5,543,089	A *	8/1996	Pichardo	C02F 7/00 261/116
5,632,220	A *	5/1997	Vento	A01K 63/042 114/255
6,217,261	B1 *	4/2001	Santa Cruz	B65G 53/14 406/134
D644,305	S *	8/2011	White	D23/266
D715,405	S *	10/2014	McAlpine	D23/233
D735,303	S *	7/2015	Drury	D23/262
D737,413	S *	8/2015	Drury	D23/262
2014/0115777	A1 *	5/2014	Schulze	E03C 1/232 4/689

* cited by examiner

Primary Examiner — Eric Goodman

Assistant Examiner — Amy Wierenga

(74) *Attorney, Agent, or Firm* — Reinhart Boerner Van Deuren s.c.

(57) **CLAIM**

The ornamental design for a plumbing pipe, as shown and described.

DESCRIPTION

FIG. 1 is a perspective view of my plumbing pipe viewed from its left side.

FIG. 2 is a perspective view of my plumbing pipe viewed from its bottom.

FIG. 3 is a top plan view of my plumbing pipe.

FIG. 4 is a left side elevation view of my plumbing pipe.

FIG. 5 is a front view of my plumbing pipe.

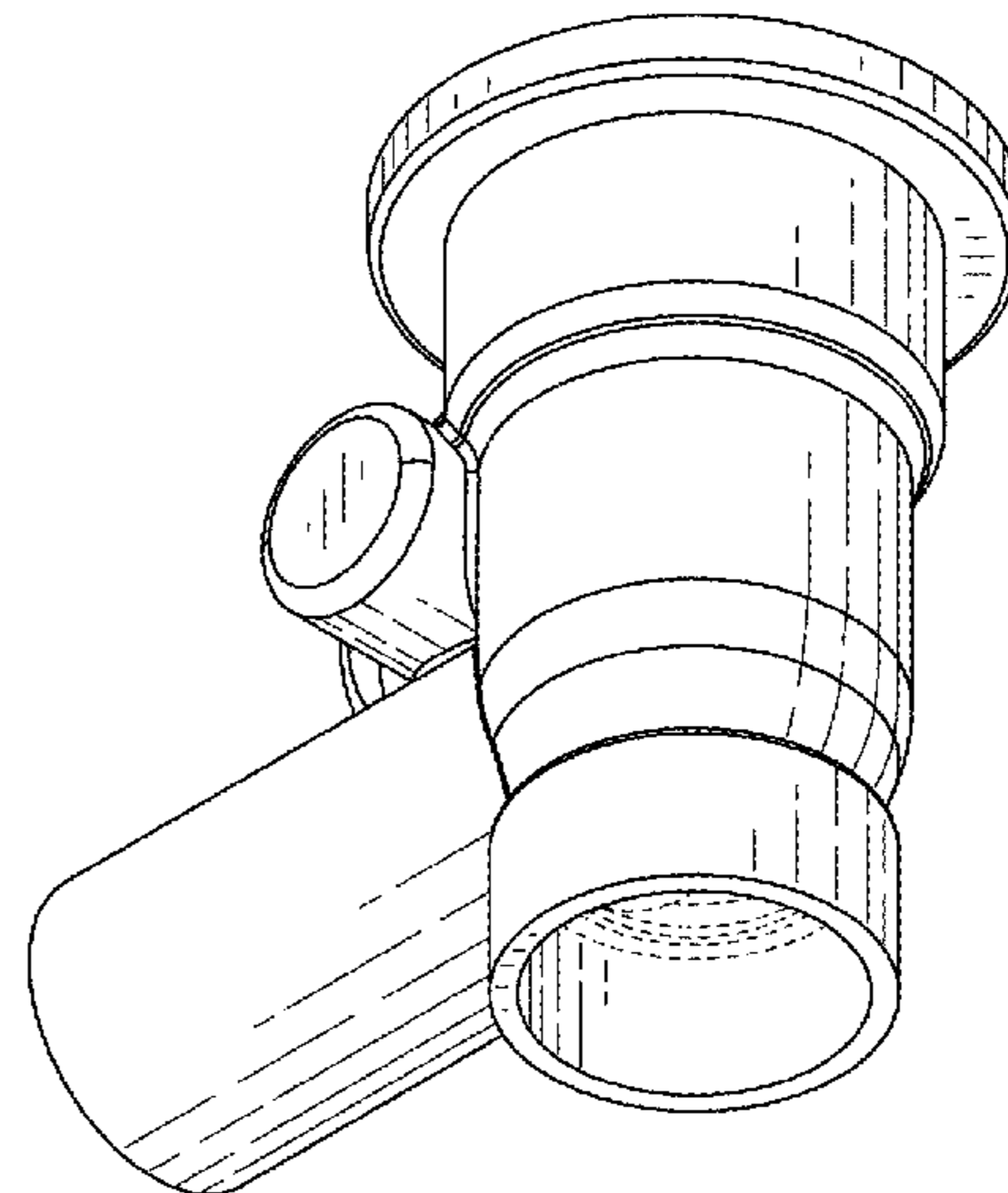
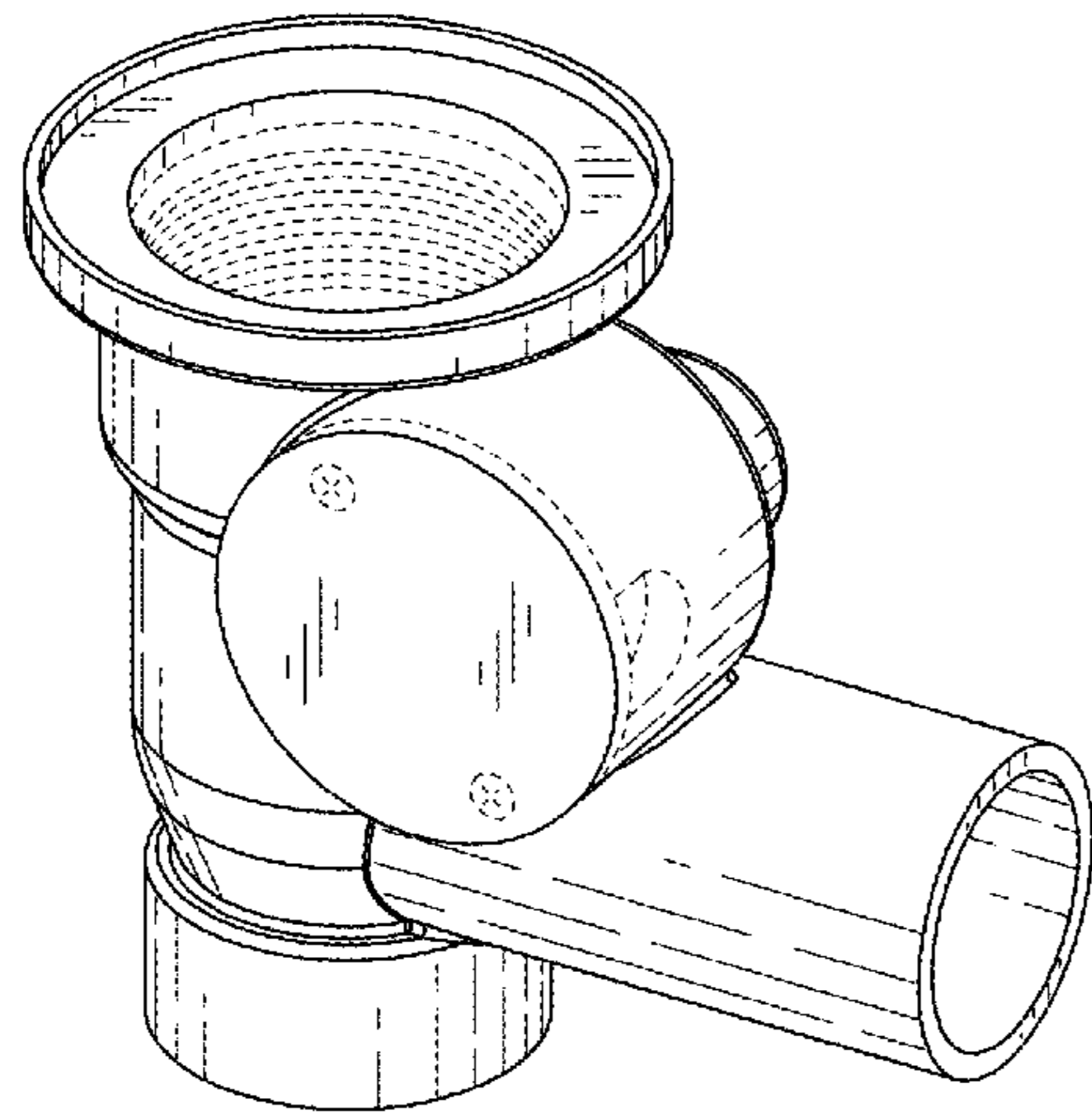
FIG. 6 is a right side elevation view of my plumbing pipe.

FIG. 7 is a rear view of my plumbing pipe; and,

FIG. 8 is a bottom view of my plumbing pipe.

The broken line in the figures is included for the purpose of illustrating portions of the article and forms no part of the claimed design.

1 Claim, 3 Drawing Sheets



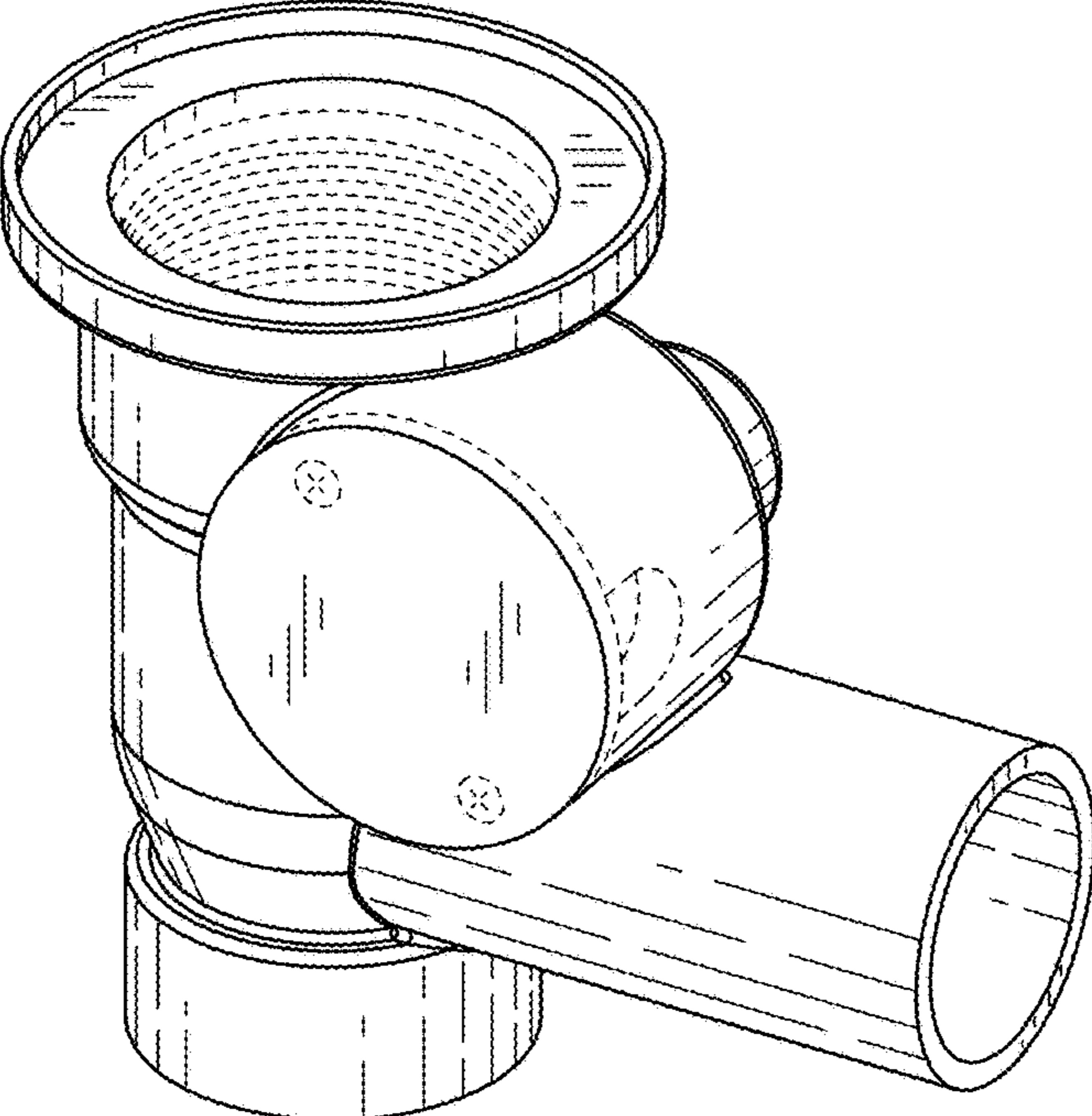


FIG. 1

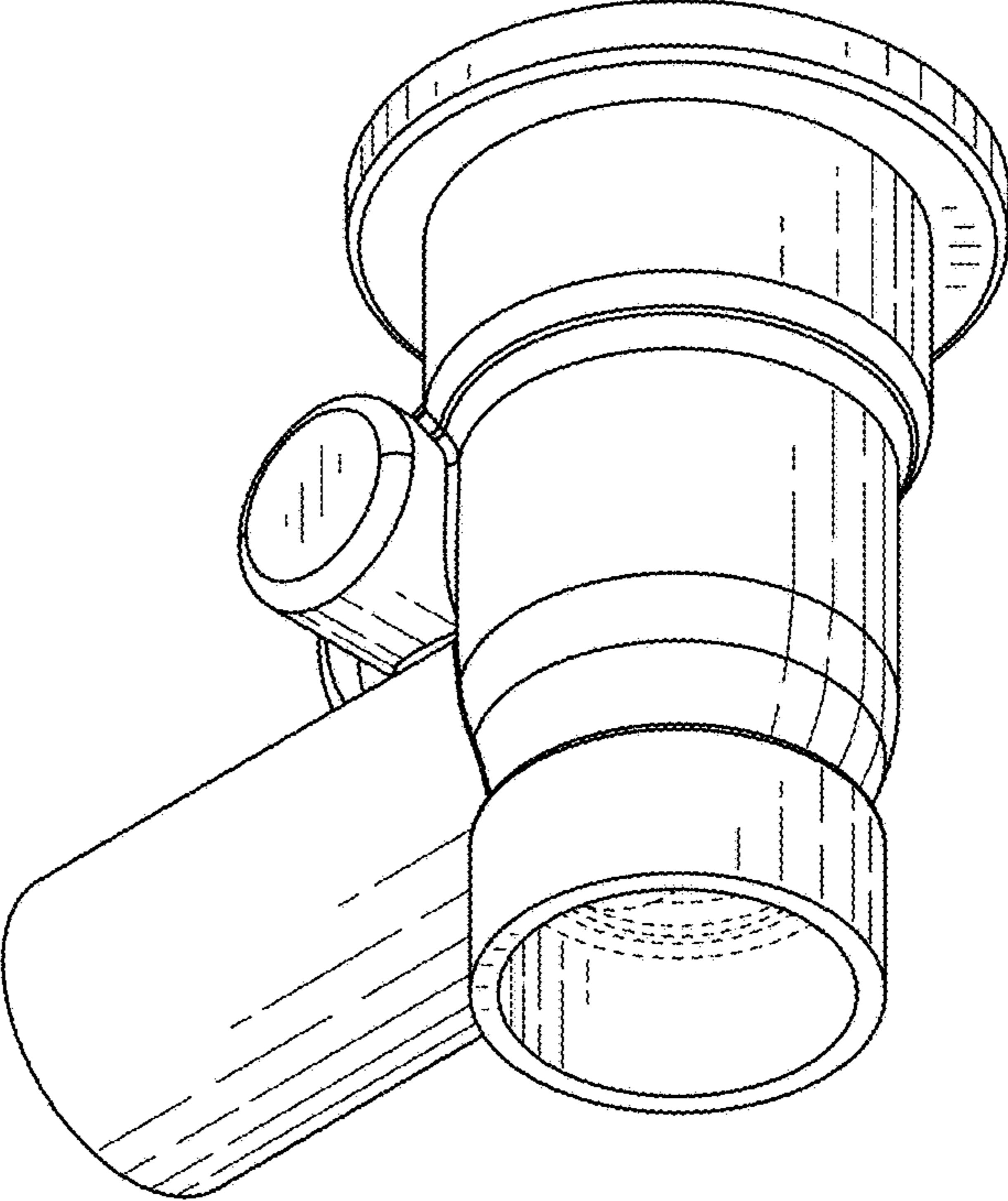


FIG. 2

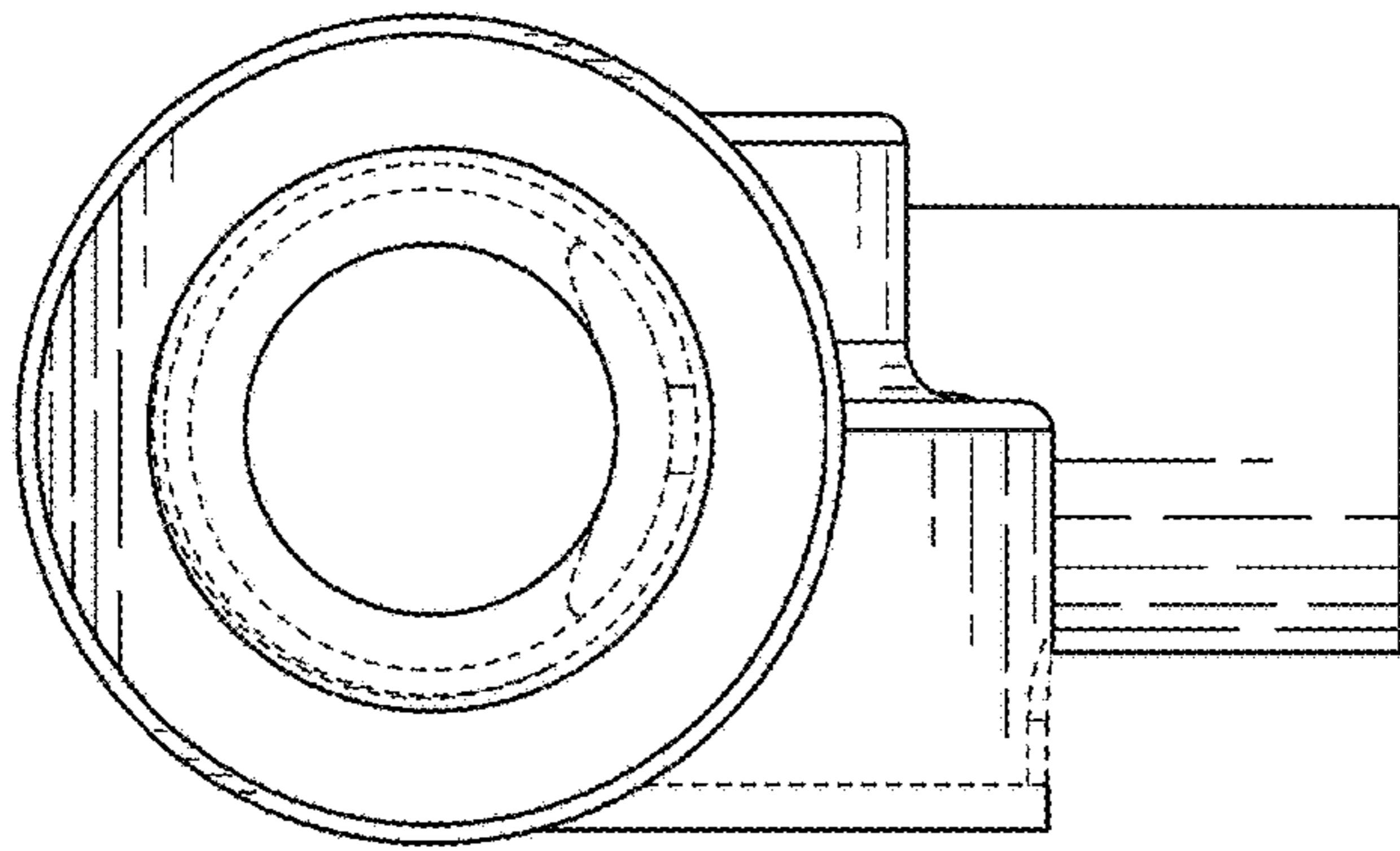


FIG. 3

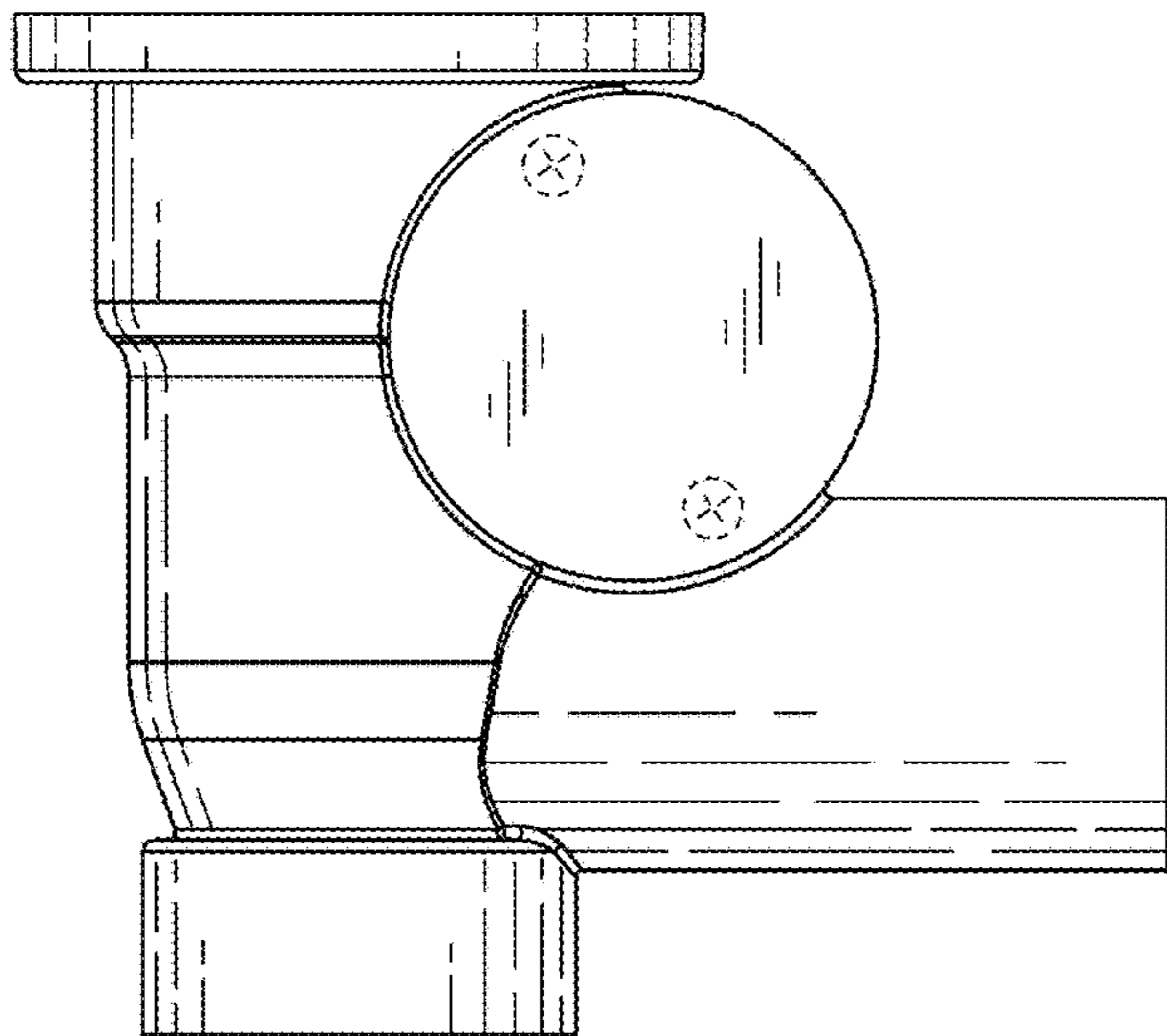


FIG. 4

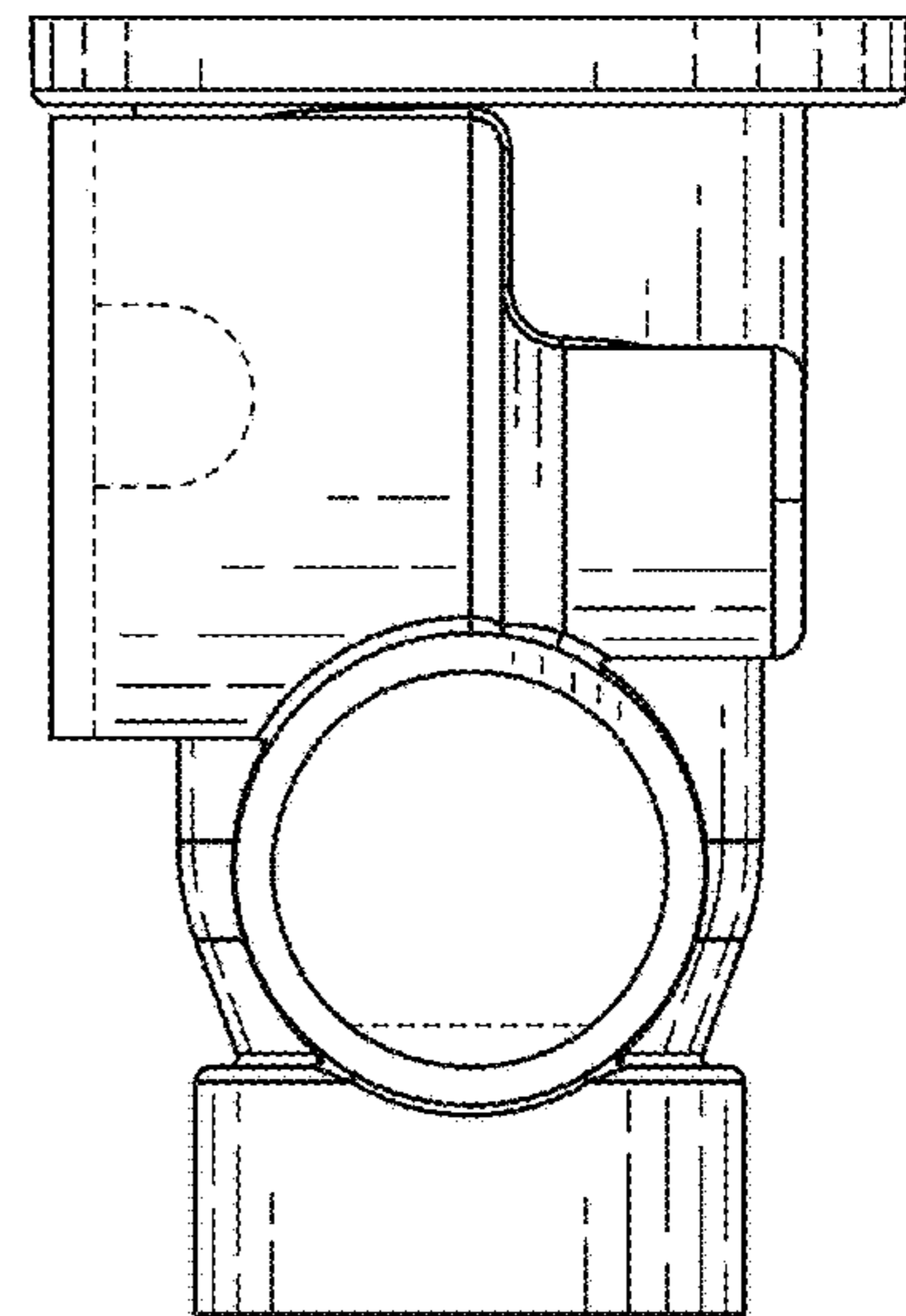


FIG. 5

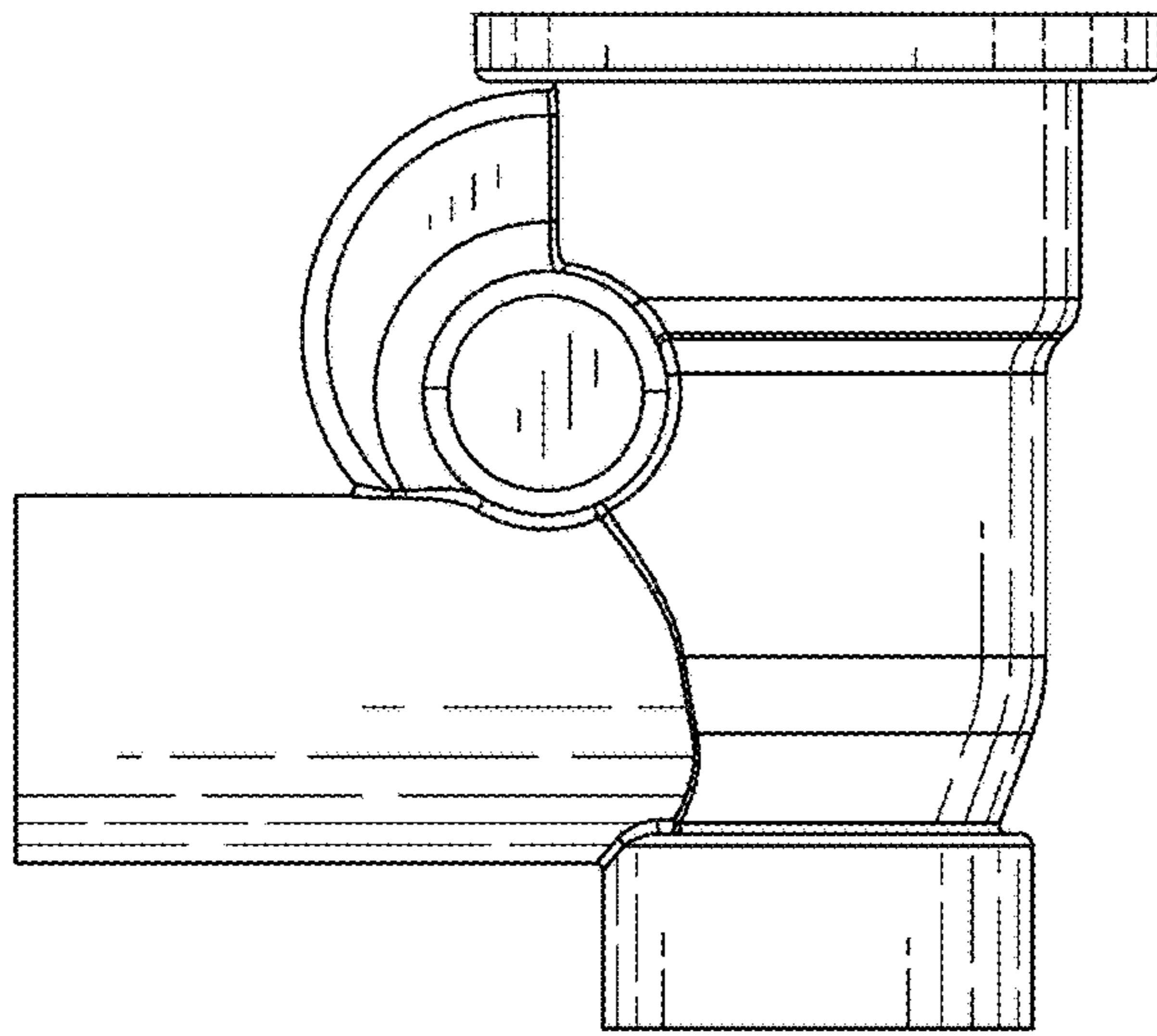


FIG. 6

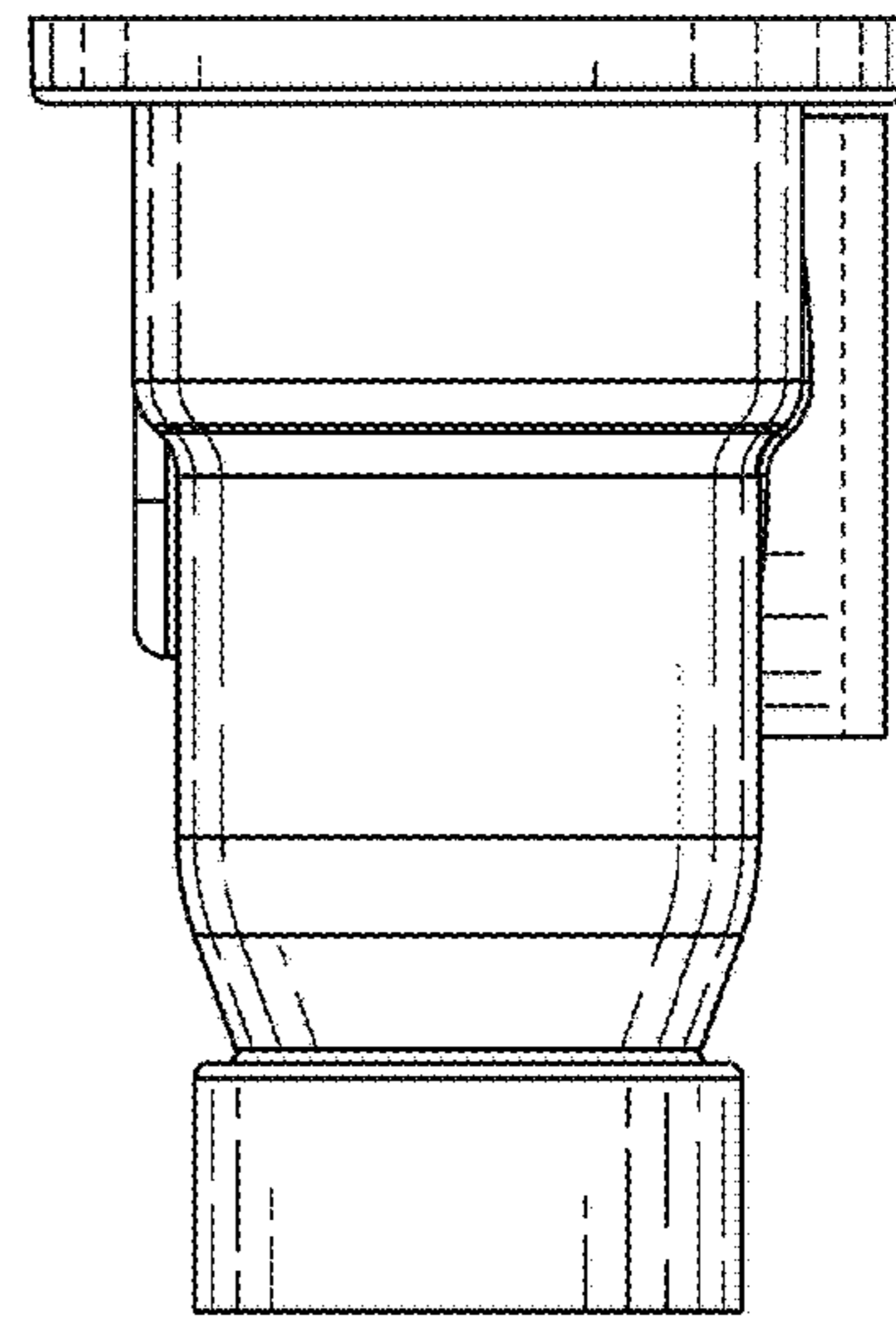


FIG. 7

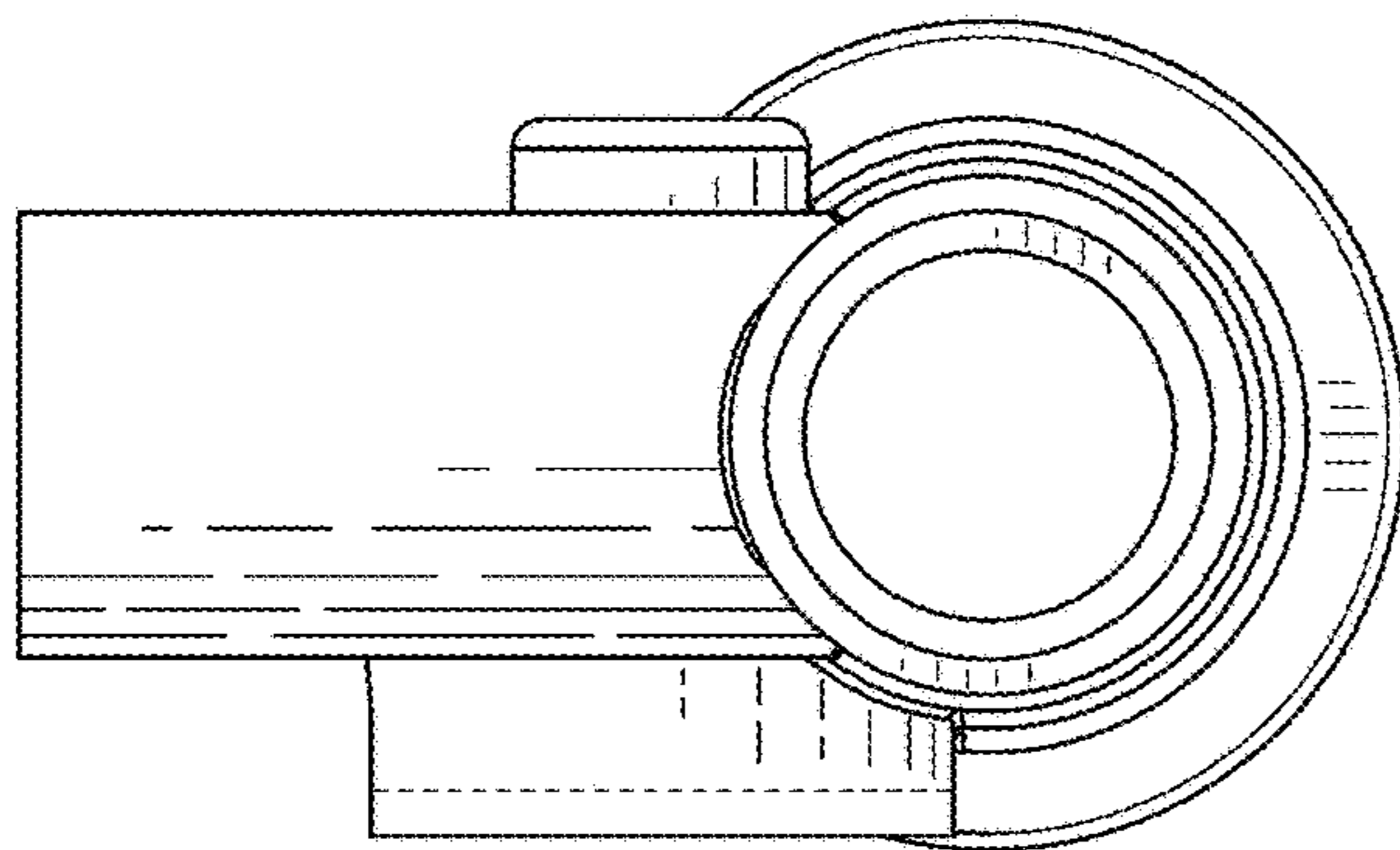


FIG. 8