



US00D773016S

(12) **United States Design Patent** (10) **Patent No.:** **US D773,016 S**
Jones (45) **Date of Patent:** **** Nov. 29, 2016**

(54) **URINAL SCREEN**

(71) Applicant: **Custom Hygienics LLC**, Omaha, NE (US)

(72) Inventor: **Michael Jones**, Omaha, NE (US)

(73) Assignee: **CUSTOM HYGIENICS LLC**, Omaha, NE (US)

(**) Term: **15 Years**

(21) Appl. No.: **29/546,213**

(22) Filed: **Nov. 19, 2015**

(51) **LOC (10) Cl.** **23-01**

(52) **U.S. Cl.**
USPC **D23/261**

(58) **Field of Classification Search**
USPC D23/208-209, 259-262, 266, 268,
D23/309-310, 312; D11/68; 4/290, 292,
4/294-295
CPC E03C 1/264; E03D 13/005
See application file for complete search history.

(56) **References Cited**

U.S. PATENT DOCUMENTS

D253,145 S *	10/1979	Adam	D23/261
D263,776 S *	4/1982	Ashley	D23/261
D353,445 S *	12/1994	Morad	D23/261
D393,896 S *	4/1998	Wagner	D23/261
D410,281 S *	5/1999	Walker	D23/309
D421,643 S *	3/2000	Mauk	D23/261
6,269,490 B1 *	8/2001	Suski	E03D 9/032 4/222.1
D456,492 S *	4/2002	Lourens	D23/261
D464,122 S *	10/2002	Mangan	D23/261
D479,313 S *	9/2003	Navarra	D23/261
D520,610 S *	5/2006	Wrate	D23/261
D612,914 S *	3/2010	Morad	D23/261
D630,714 S *	1/2011	Dukes	D23/260
D631,531 S *	1/2011	Morad	D23/261

D655,793 S *	3/2012	Emr	D23/261
D662,573 S *	6/2012	Rogalski	D23/261
D678,482 S *	3/2013	Williams	D23/261
D759,792 S *	6/2016	Flury	D23/261
2007/0266486 A1 *	11/2007	Ramirez	E03D 13/00 4/309
2014/0007336 A1 *	1/2014	Mills	E03D 13/005 4/300.3
2014/0075663 A1 *	3/2014	Irwin	E03D 13/005 4/292

* cited by examiner

Primary Examiner — Eric Goodman

Assistant Examiner — Amy Wierenga

(74) *Attorney, Agent, or Firm* — Hackler Daghighian
Martino & Novak

(57) **CLAIM**

The ornamental design for a urinal screen, as shown and described.

DESCRIPTION

A portion of the disclosure of this patent document contains material which is subject to copyright protection. This patent document may show and/or describe matter which is or may become trade dress of the owner. The copyright and trade dress owner has no objection to the facsimile reproduction by anyone of the patent disclosure as it appears in the Patent and Trademark Office patent files or records, but otherwise reserves all copyright and trade dress rights whatsoever.

FIG. 1 is a front, top and right side perspective view of a urinal screen;

FIG. 2 is a rear, bottom, and left side perspective view thereof;

FIG. 3 is a right side elevation view thereof;

FIG. 4 is a left side elevation view thereof;

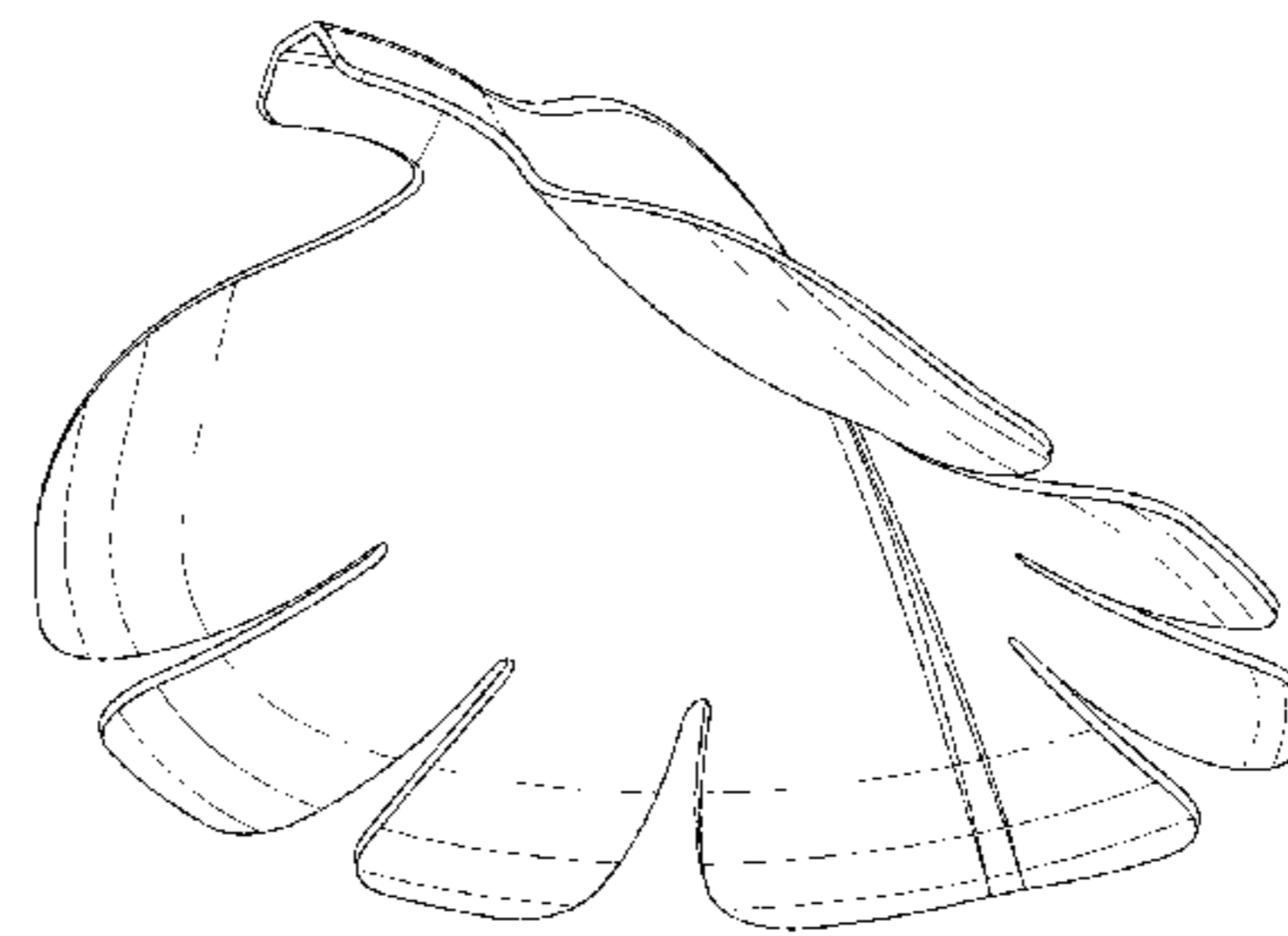
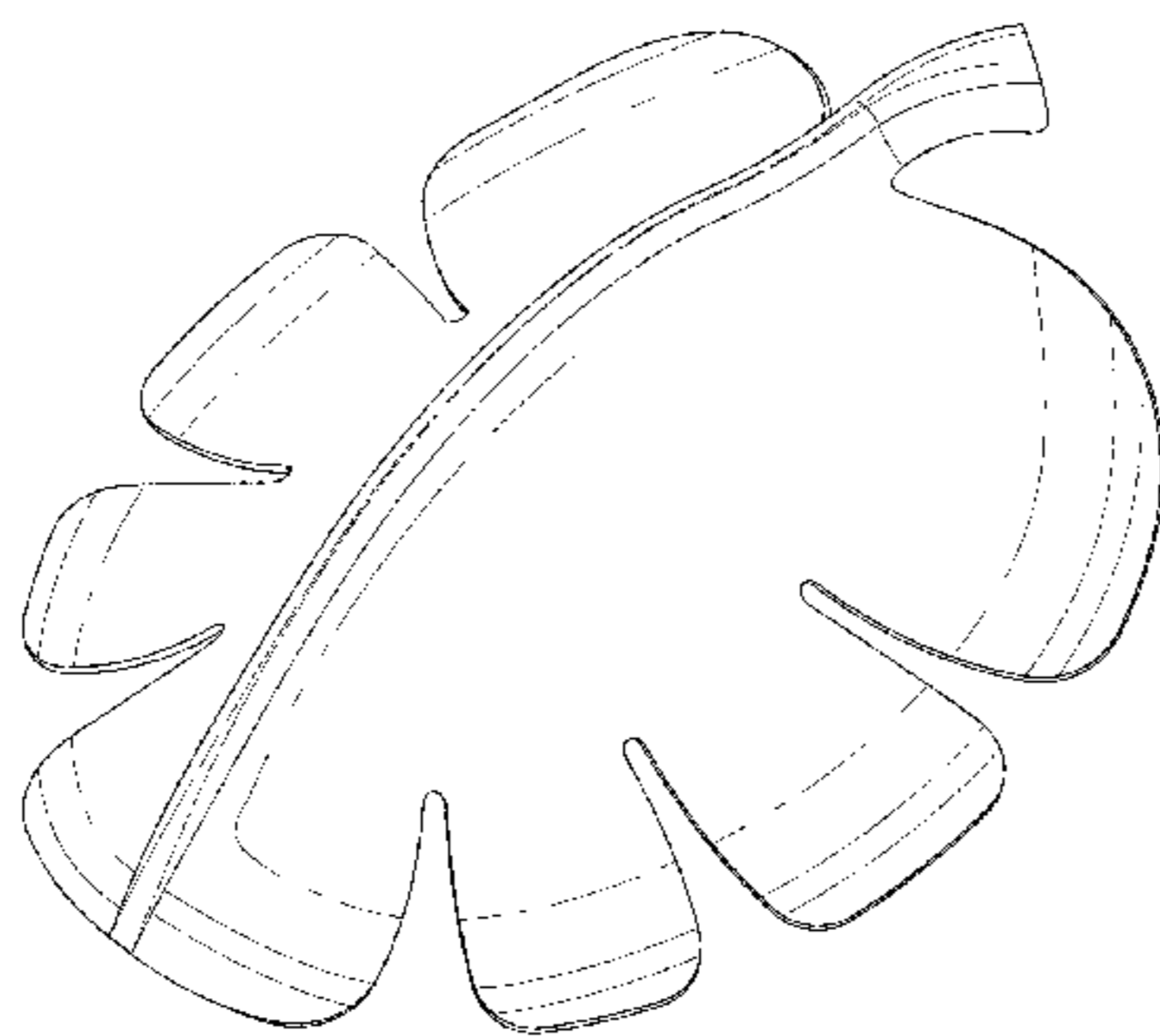
FIG. 5 is a rear elevation view thereof;

FIG. 6 is a front elevation view thereof;

FIG. 7 is a top plan view thereof; and,

FIG. 8 is a bottom plan view thereof.

1 Claim, 6 Drawing Sheets



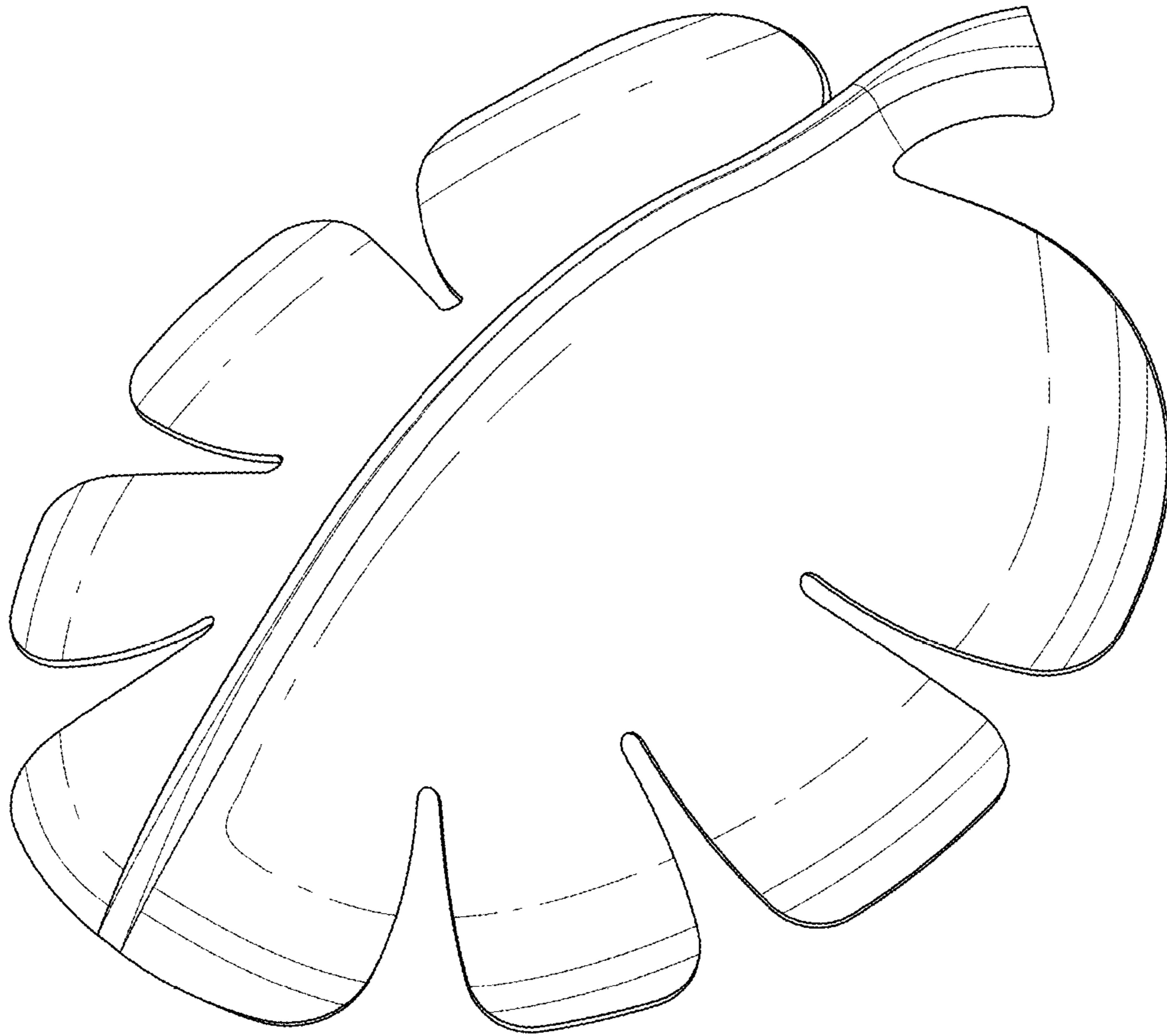


FIG. 1

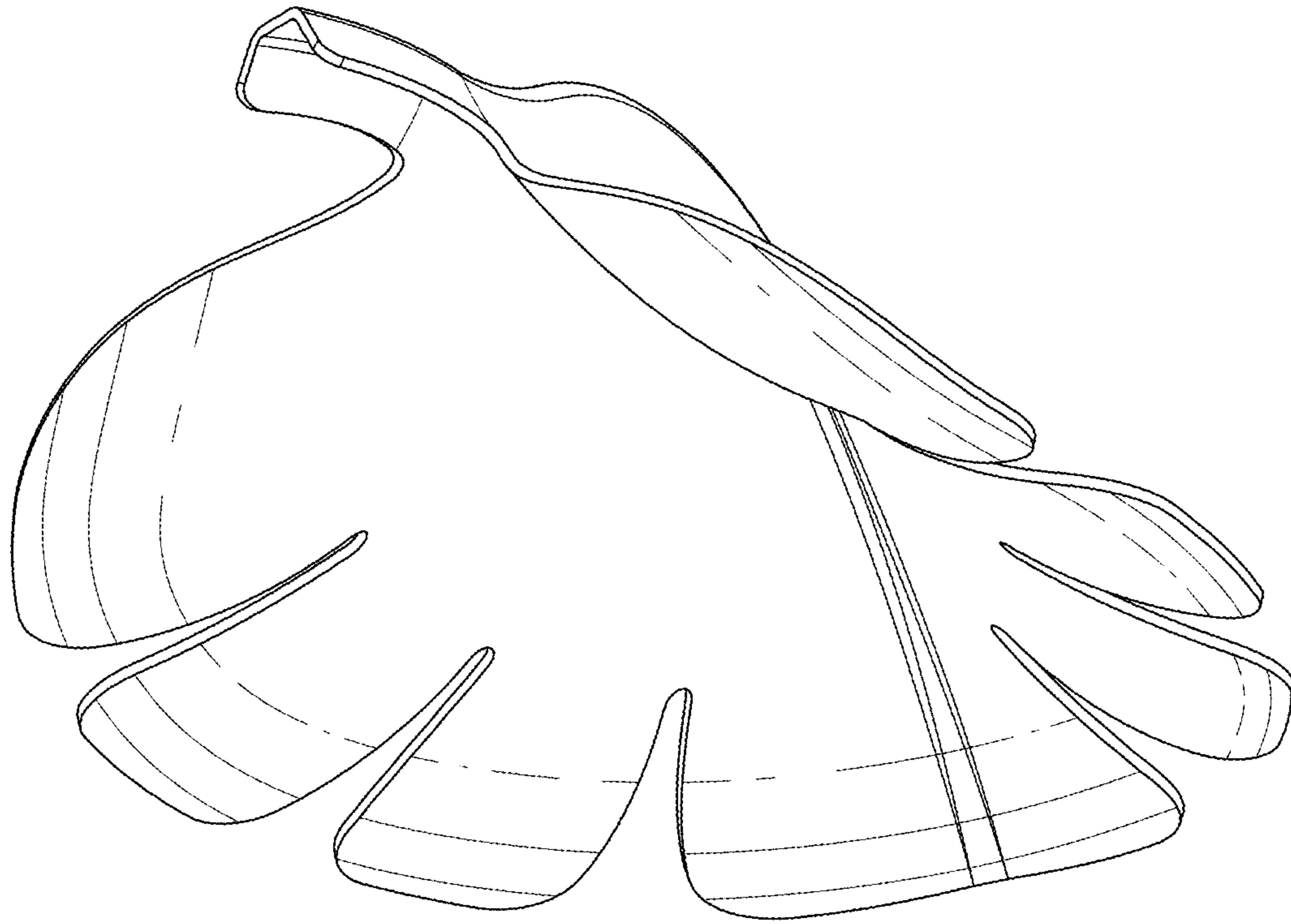


FIG. 2

FIG. 3

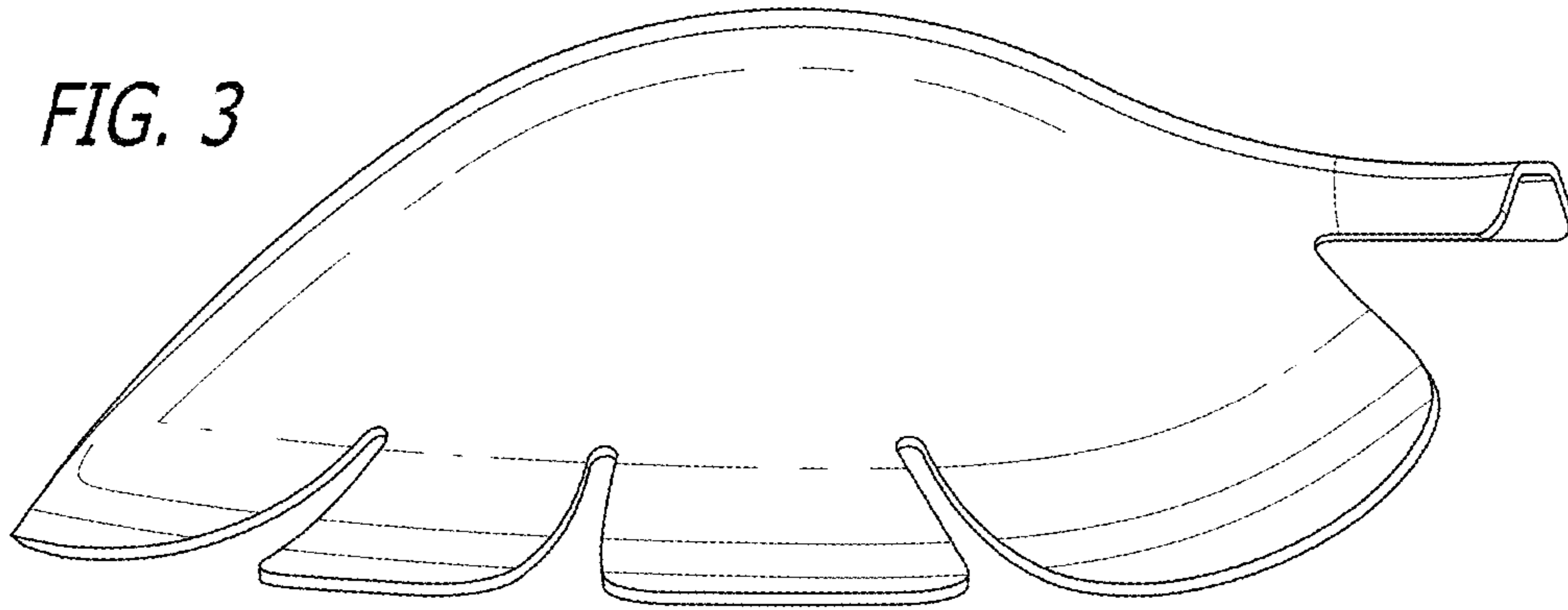
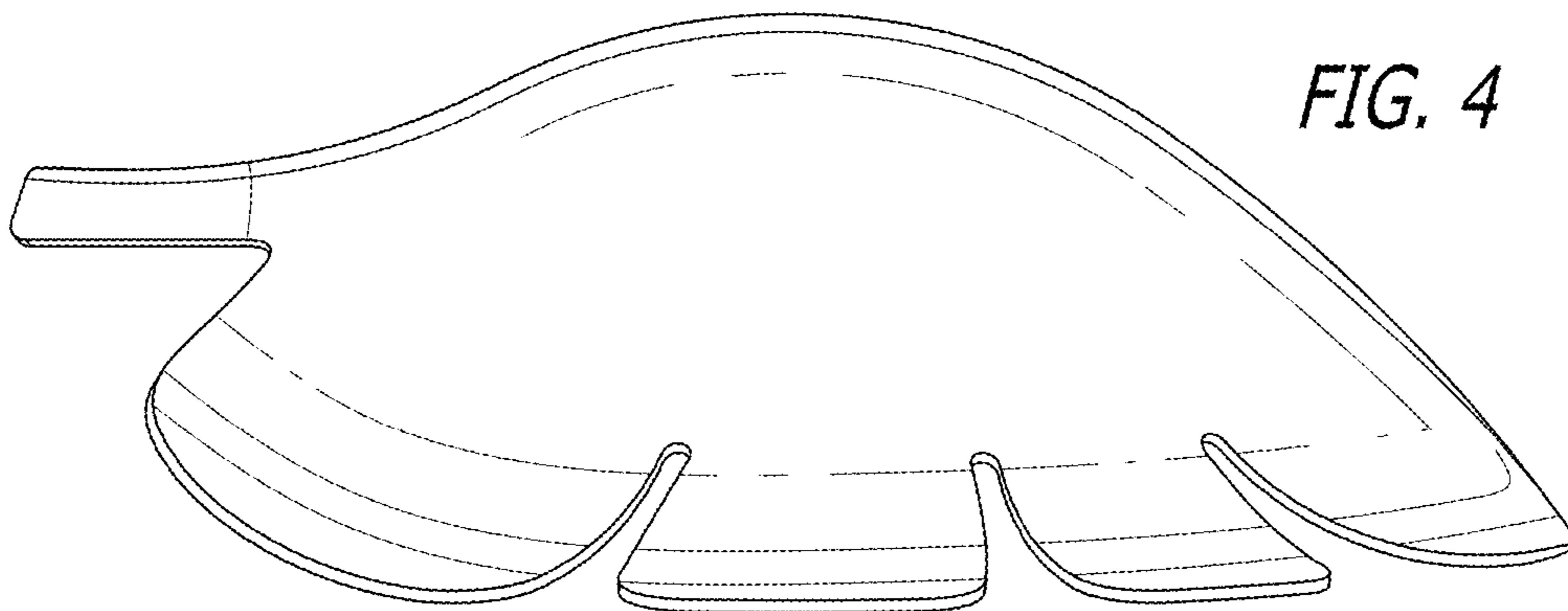


FIG. 4



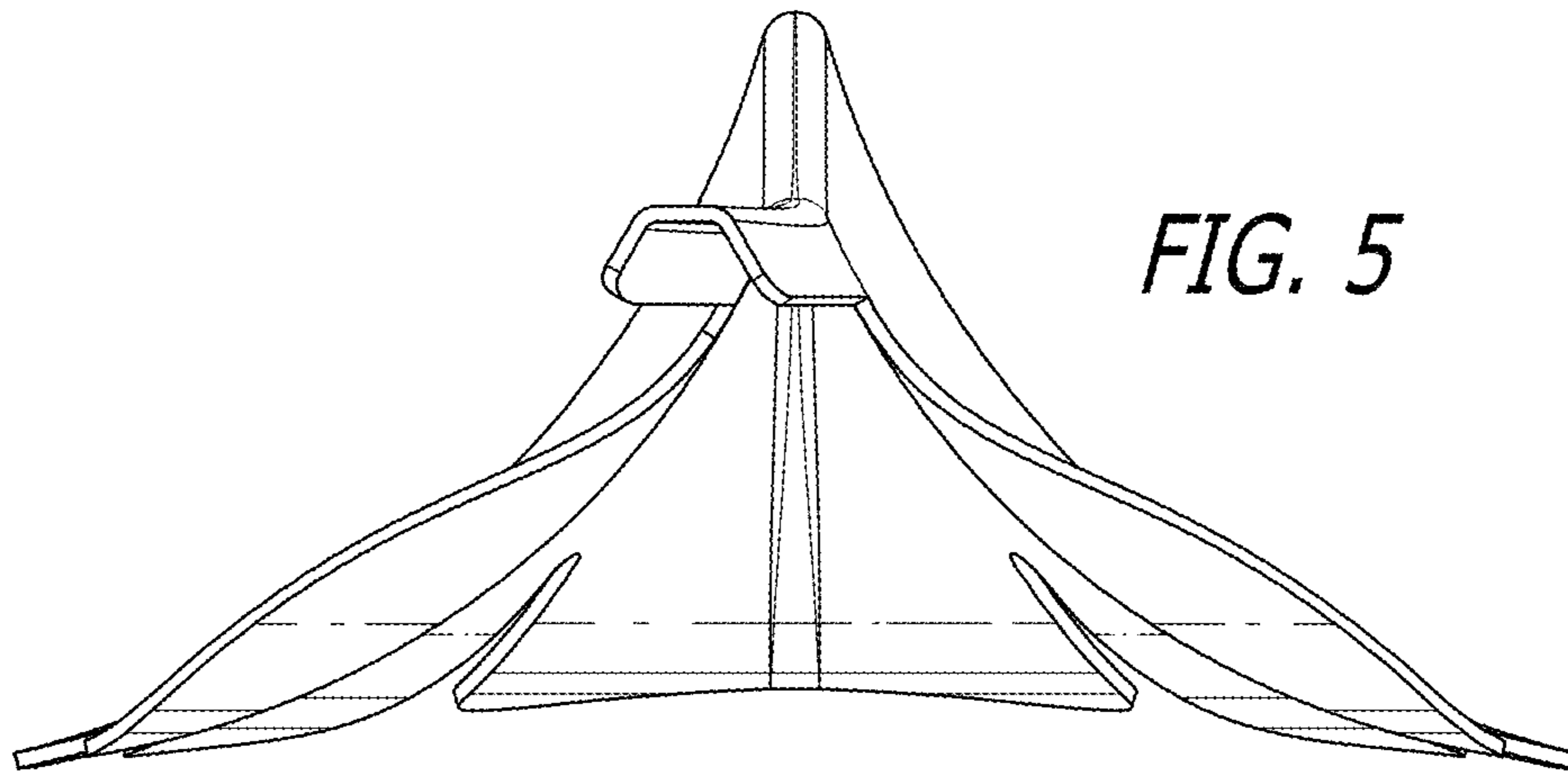


FIG. 5

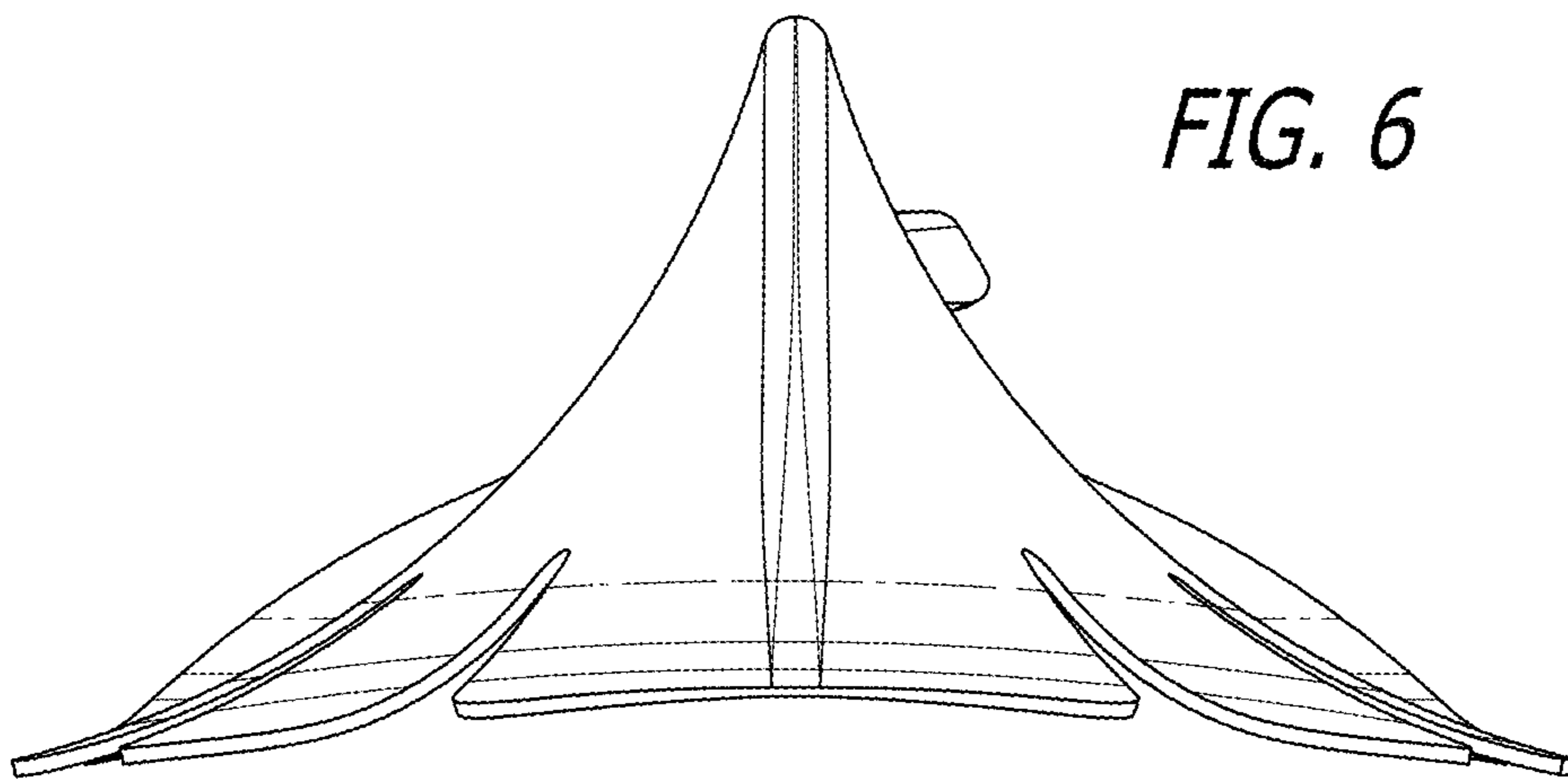


FIG. 6

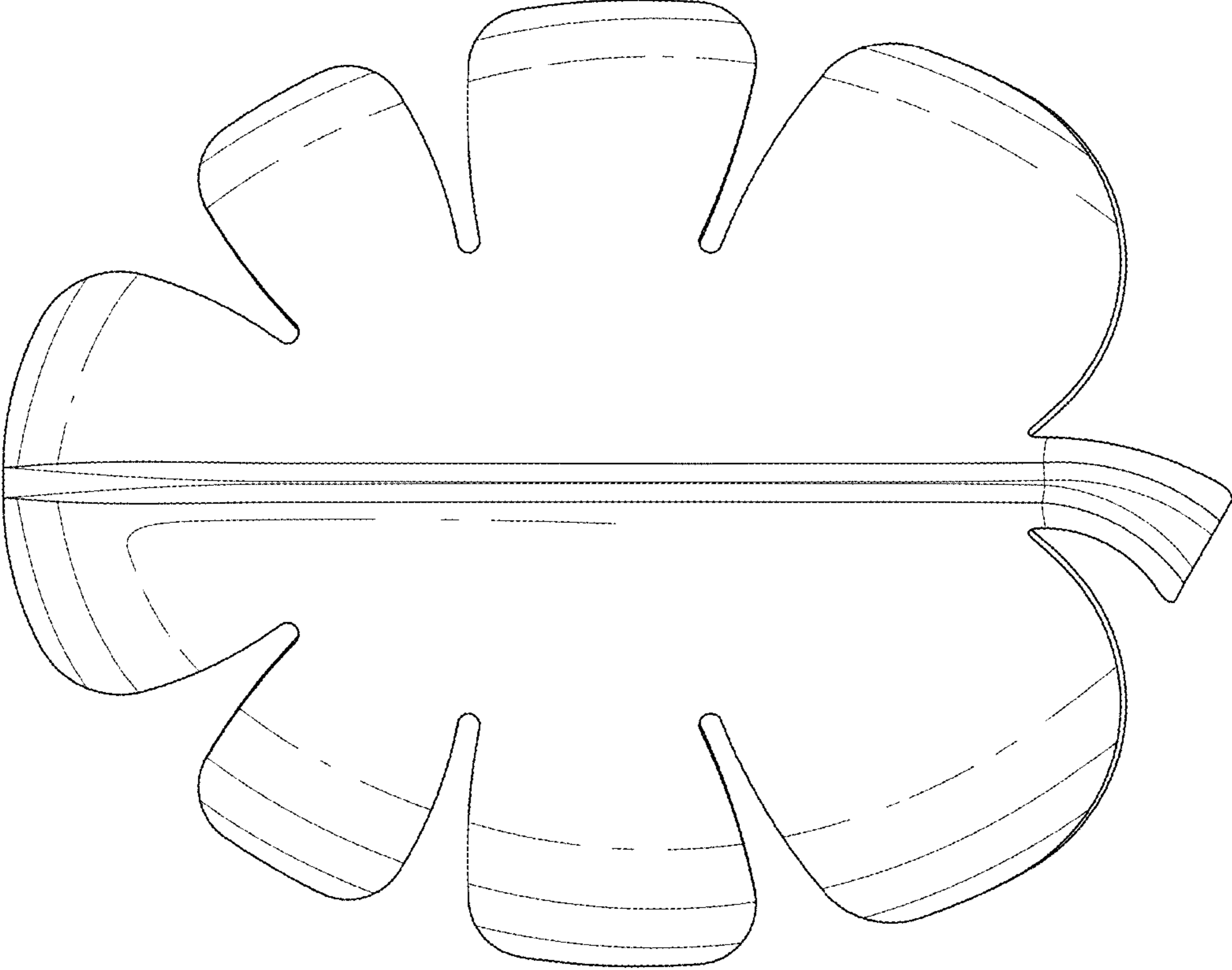


FIG. 7

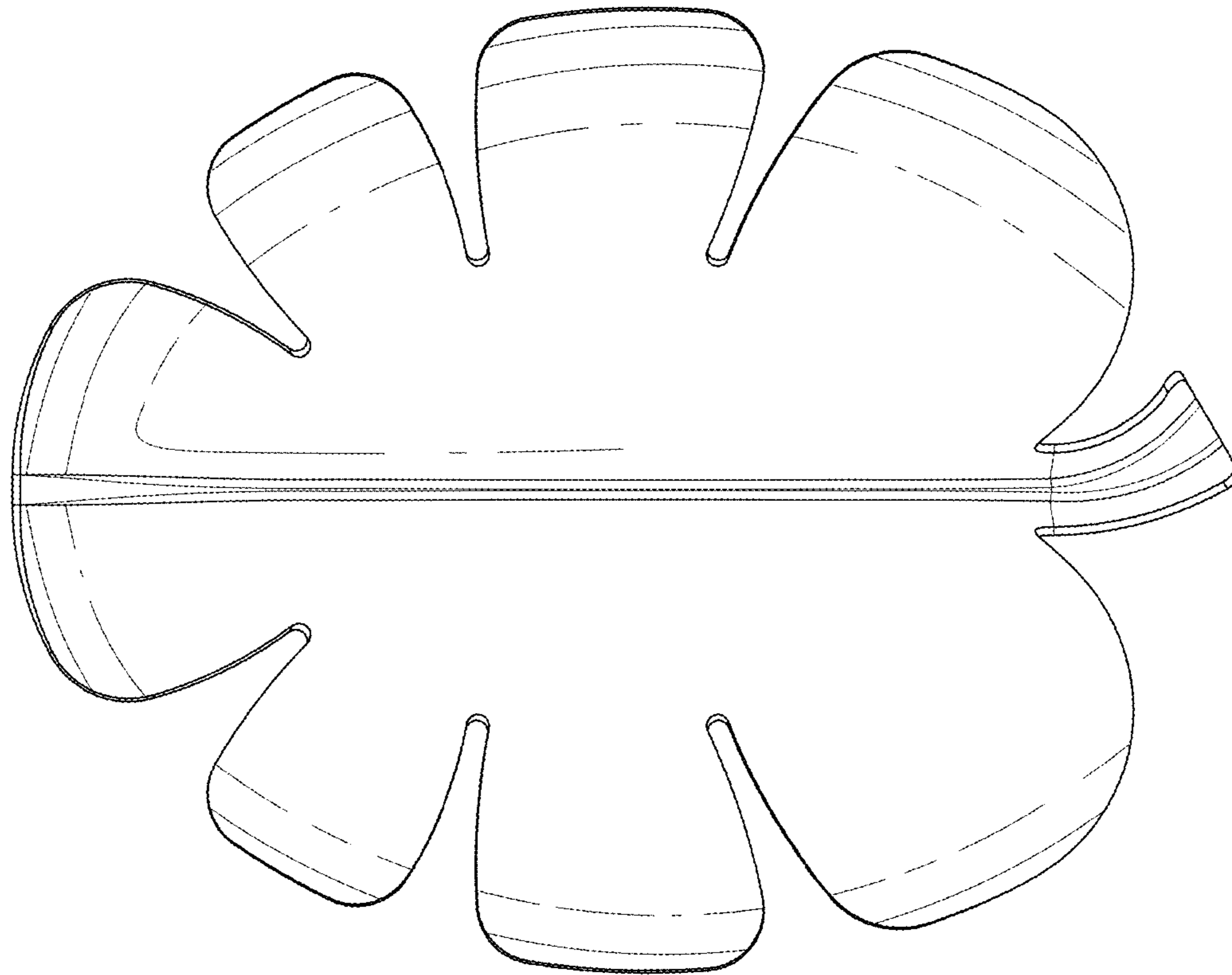


FIG. 8