



US00D773014S

(12) **United States Design Patent** (10) **Patent No.:** **US D773,014 S**
Pale (45) **Date of Patent:** **** Nov. 29, 2016**

(54) **FILTER**
(71) Applicant: **SPIFIL Inc**, Houston, TX (US)
(72) Inventor: **Cynthia Pale**, Houston, TX (US)
(73) Assignee: **SPIFIL INC.**, Houston, TX (US)
(**) Term: **15 Years**
(21) Appl. No.: **29/533,352**
(22) Filed: **Jul. 16, 2015**
(51) **LOC (10) Cl.** **23-01**
(52) **U.S. Cl.**
USPC **D23/209**
(58) **Field of Classification Search**
USPC D23/207, 209; 210/497.01, 232, 282
CPC C02F 1/003; B01D 35/30
See application file for complete search history.

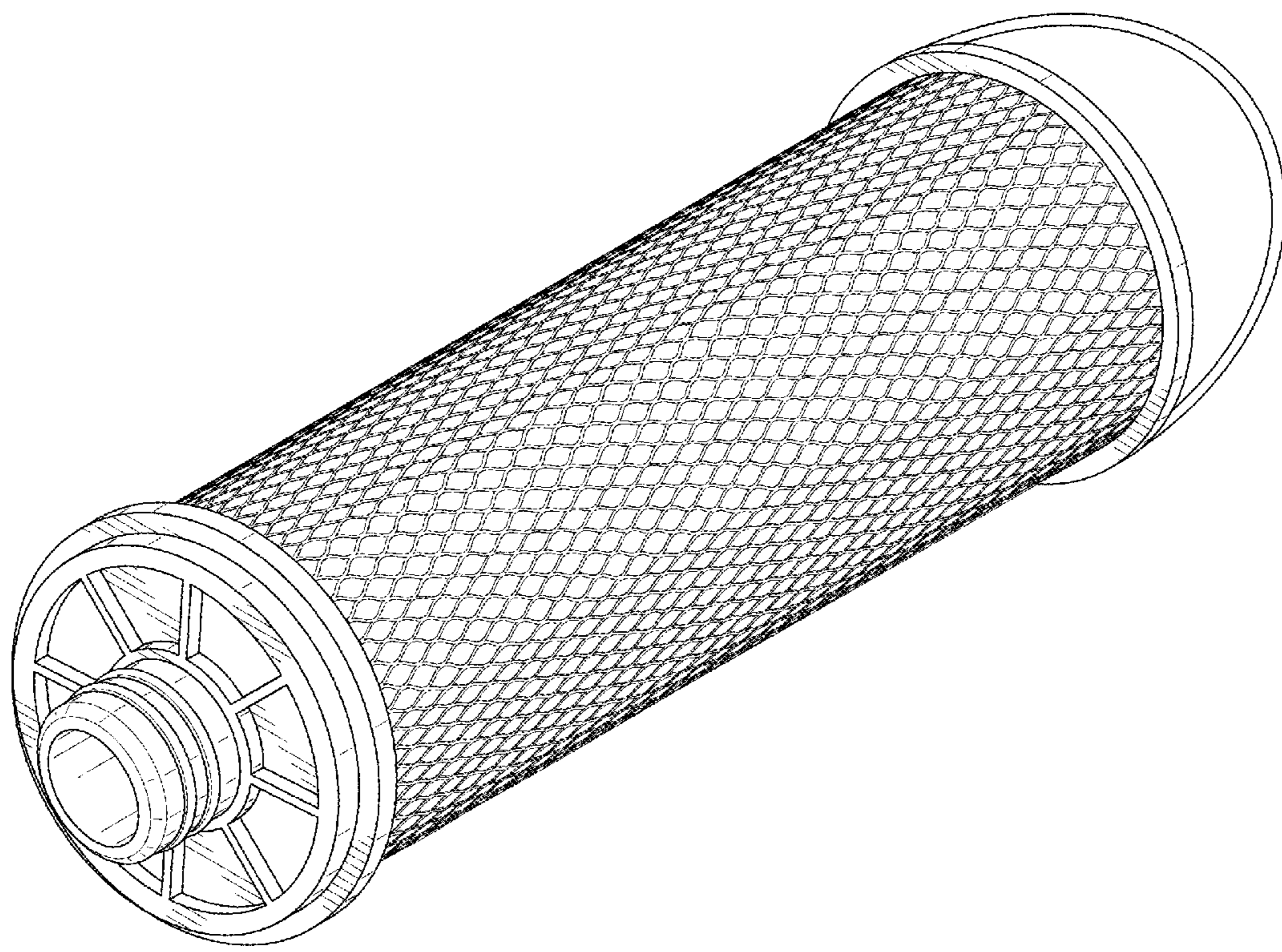
(56) **References Cited**
U.S. PATENT DOCUMENTS
D404,797 S * 1/1999 Jameson D23/209
D481,101 S * 10/2003 Boehrs D23/209
D582,001 S * 12/2008 Tierney D22/102
D609,775 S * 2/2010 Zukor D23/209
8,167,966 B2 * 5/2012 Amirkhanian B01D 46/008
210/470
8,431,021 B2 * 4/2013 McCague C02F 1/001
210/167.11

D753,789 S * 4/2016 Raab D23/209
* cited by examiner
Primary Examiner — Robin V Webster
(74) *Attorney, Agent, or Firm* — Cantor Colburn LLP

(57) **CLAIM**
I claim, the ornamental design for a filter, as shown and described.

DESCRIPTION
FIG. 1 is a perspective view of a filter, showing my new design;
FIG. 2 is a front elevation view thereof, the opposite side being a mirror image thereof;
FIG. 3 is a side elevation view thereof taken from the right of FIG. 2, the opposite side being a mirror image thereof;
FIG. 4 is a top plan view thereof;
FIG. 5 is a bottom view thereof;
FIG. 6 is a cross sectional view taken along axis 6-6 in FIG. 2, the opposite side being a mirror image thereof;
FIG. 7 is a cross sectional view taken along axis 7-7 in FIG. 3, the opposite side being a mirror image thereof; and,
FIG. 8 is an exploded view of the filter, the opposite side being a mirror image thereof.

1 Claim, 7 Drawing Sheets



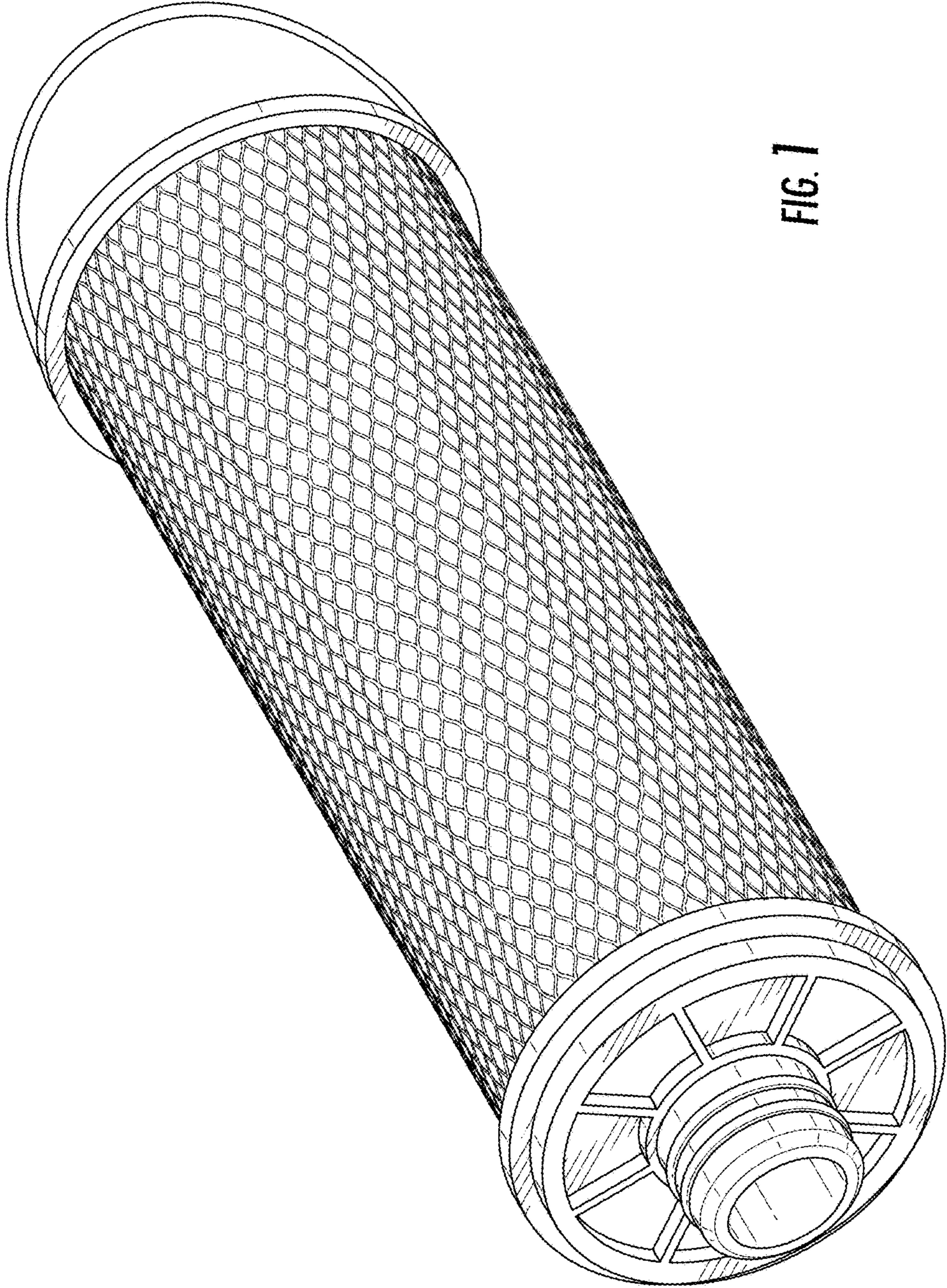


FIG. 1

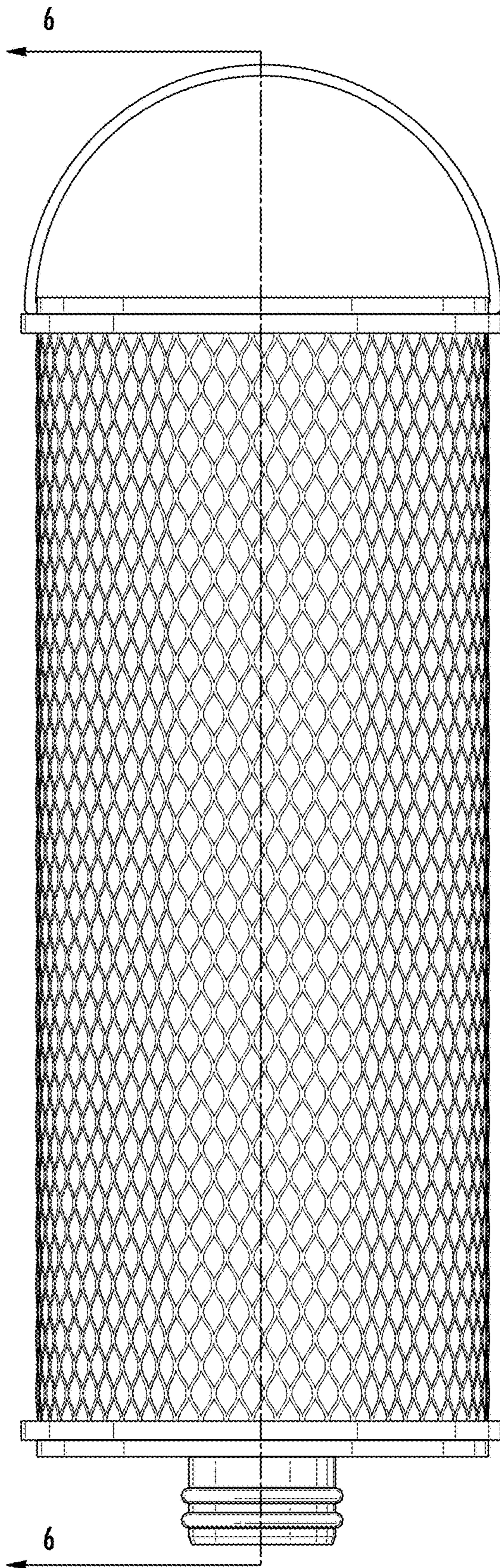


FIG. 2

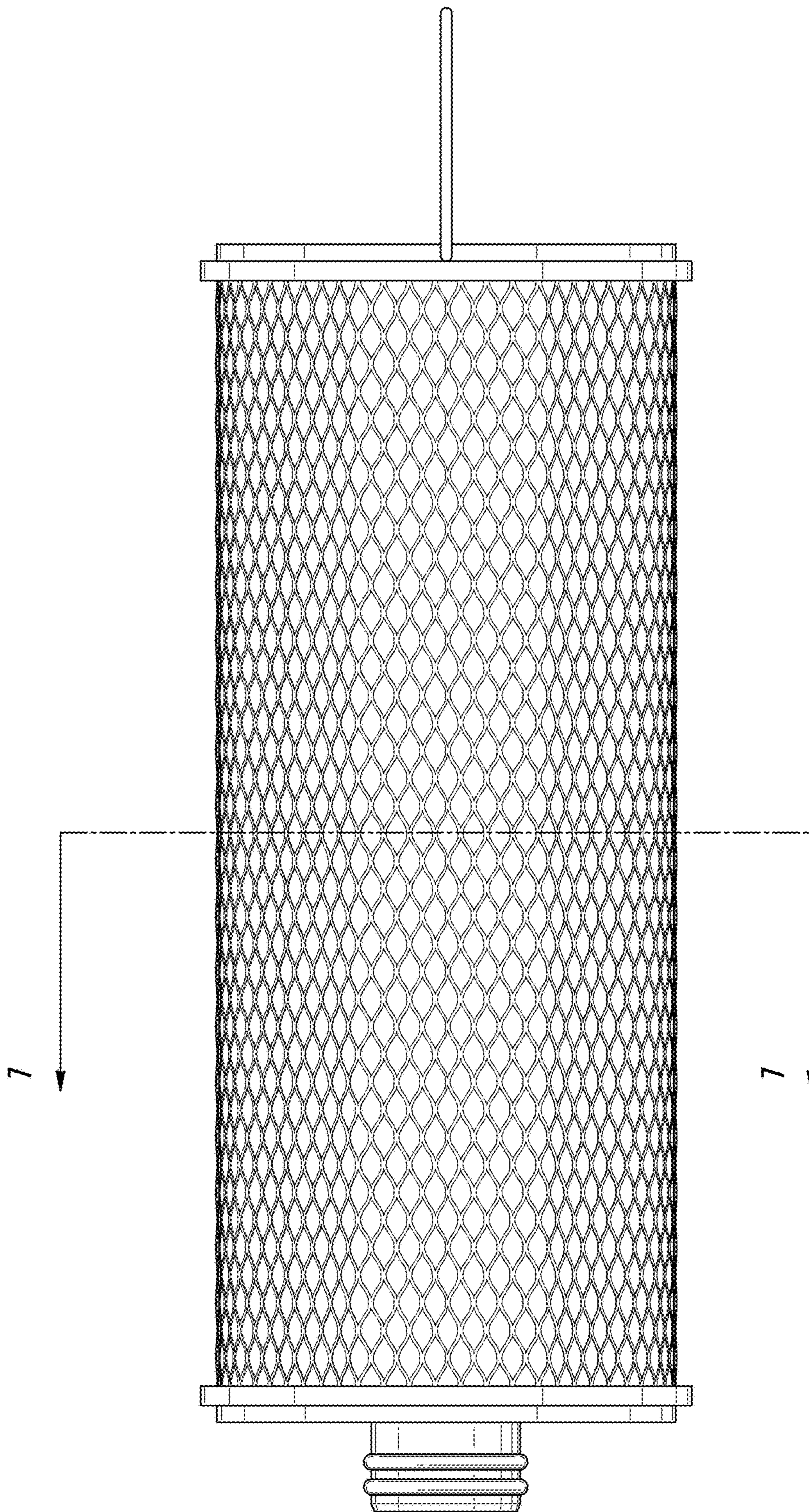


FIG. 3

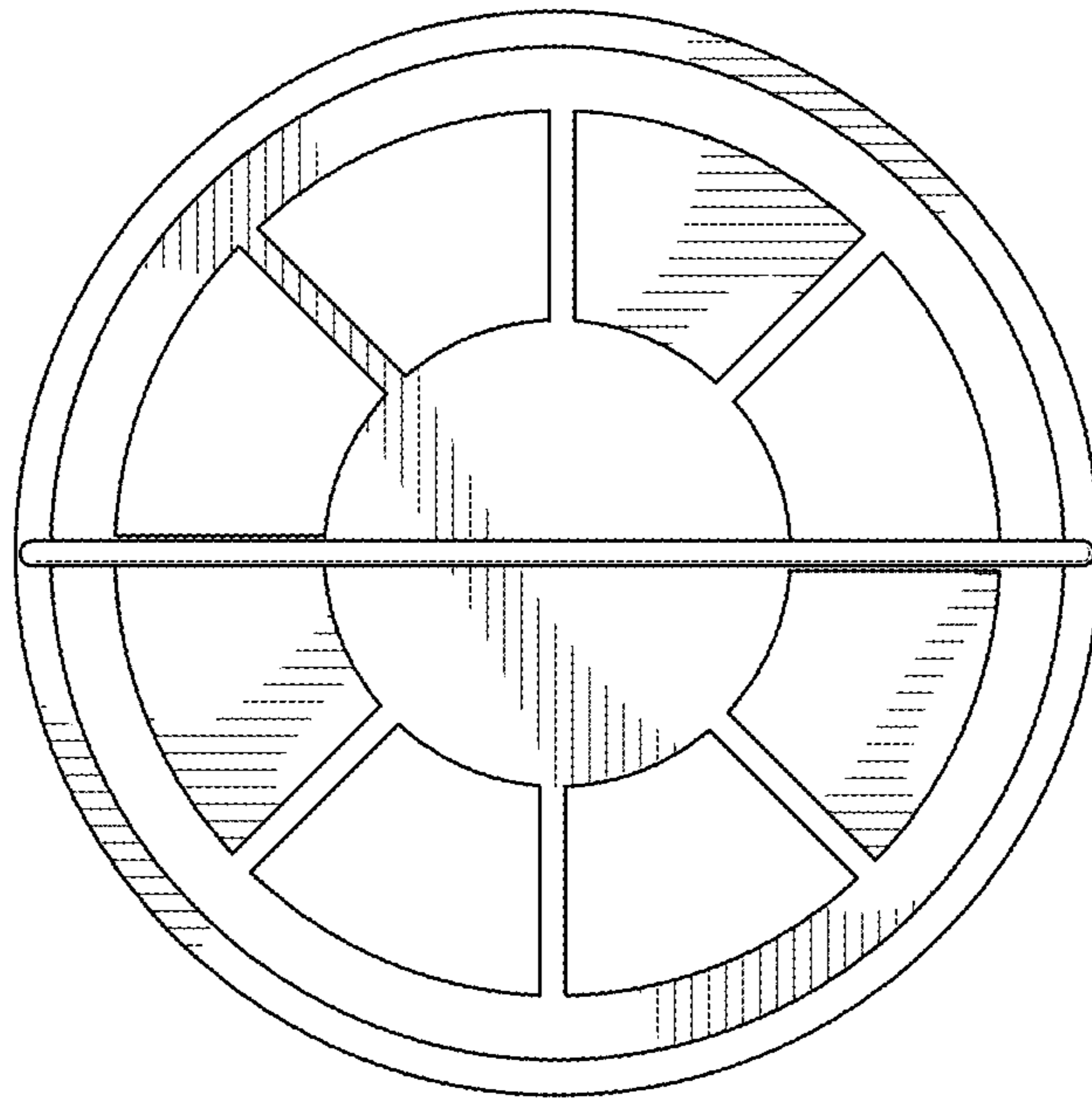


FIG. 4

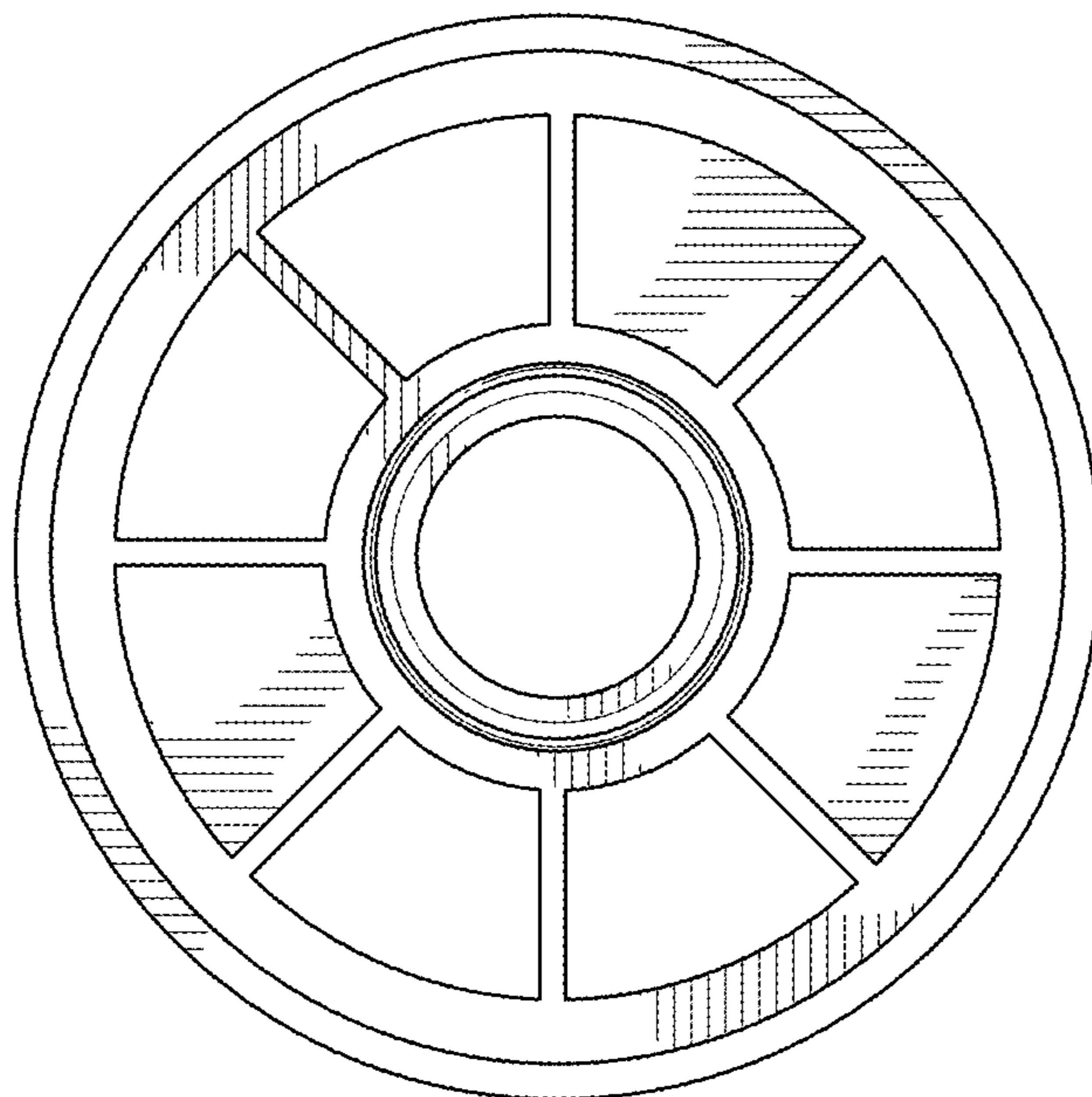


FIG. 5

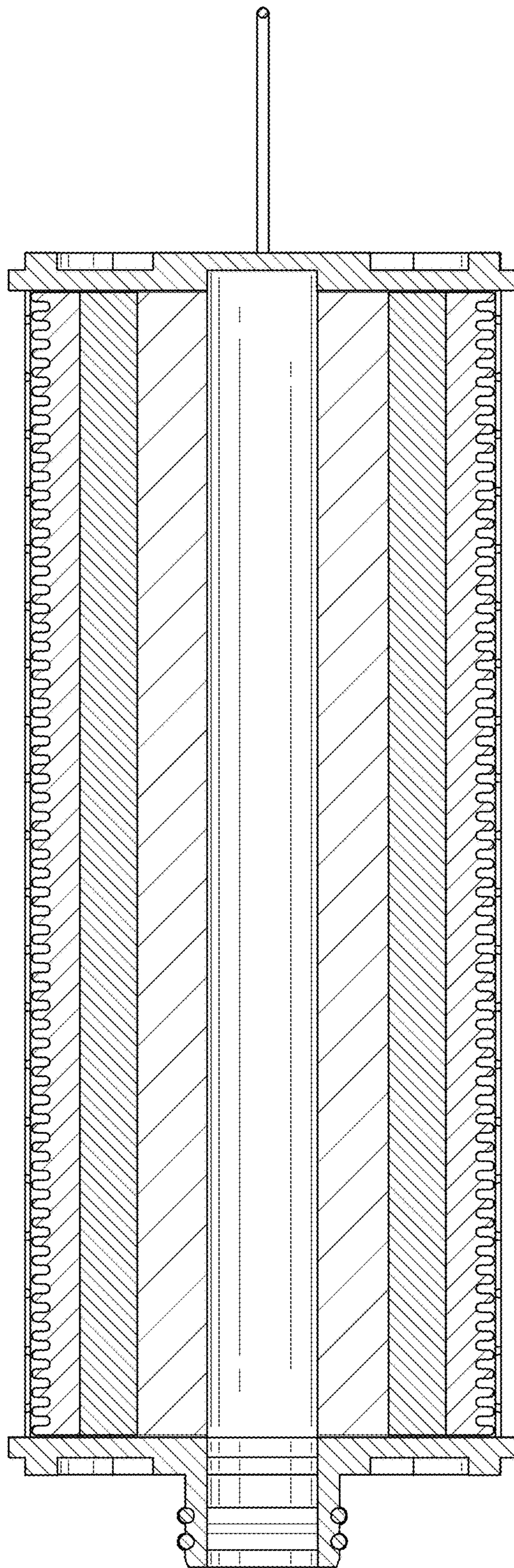


FIG. 6

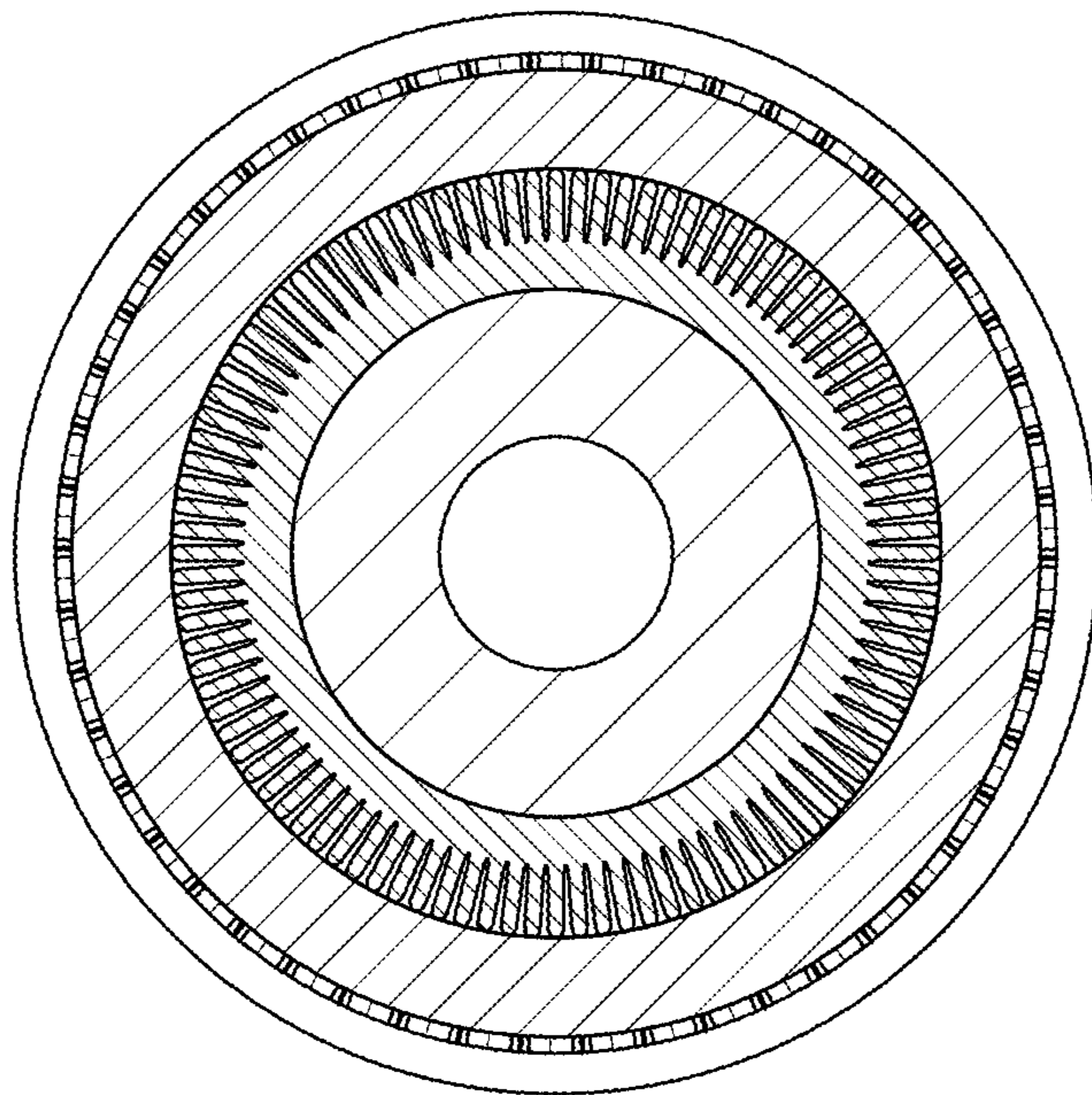


FIG. 7

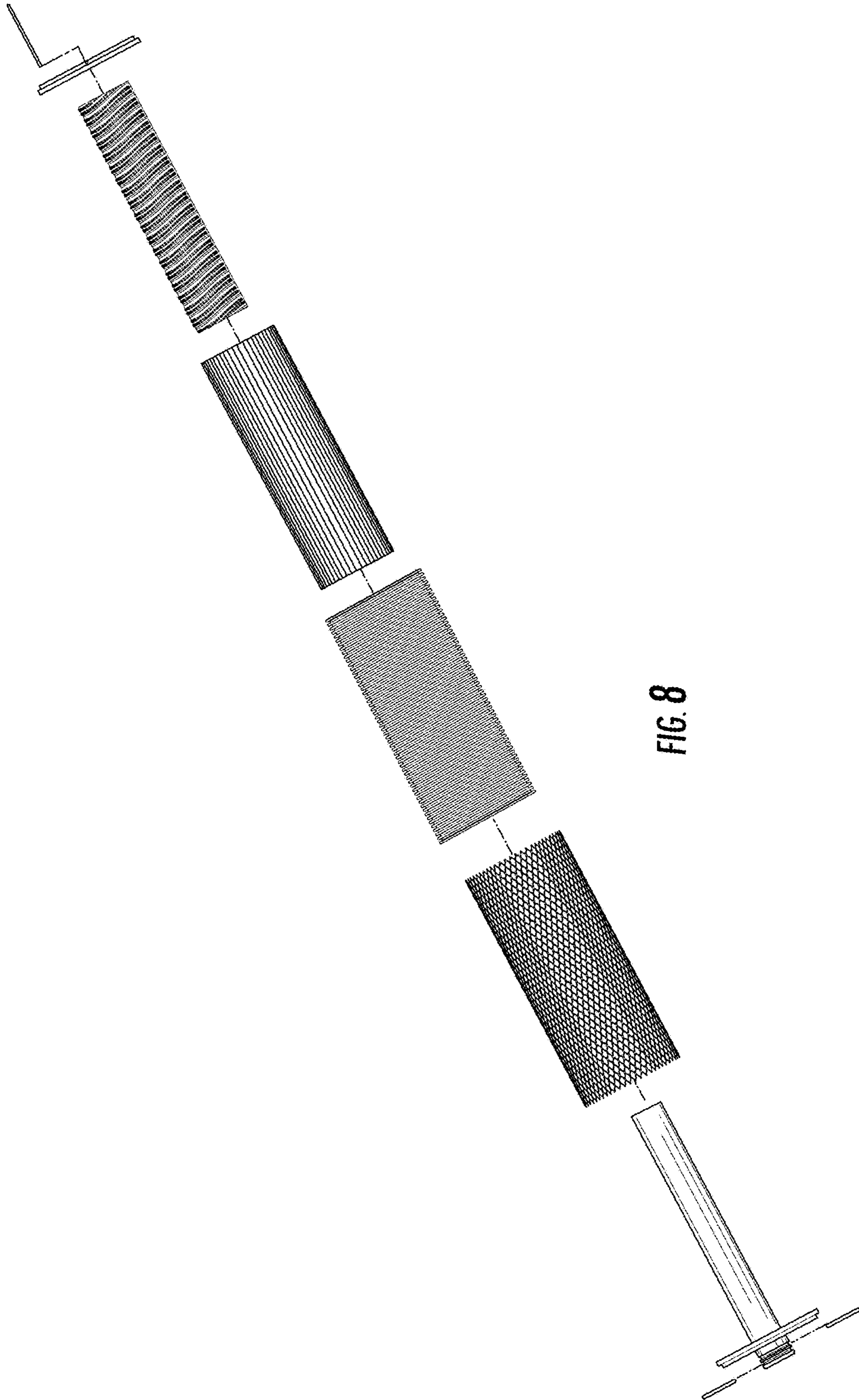


FIG. 8