



US00D773013S

(12) **United States Design Patent** (10) **Patent No.:** **US D773,013 S**
Poindexter et al. (45) **Date of Patent:** **** *Nov. 29, 2016**

(54) **WATER FILTER PITCHER**
(71) Applicant: **Helen of Troy Limited**, St. Michael (BB)
(72) Inventors: **Michael Poindexter**, New York, NY (US); **Thomas Dooley**, Hoboken, NJ (US); **Steven Dibdin**, Bloomfield, NJ (US)

D639,102 S 6/2011 Harris et al.
8,177,966 B2 * 5/2012 Wu C02F 1/003
210/232
D677,360 S * 3/2013 Sheppard D23/209
(Continued)

(73) Assignee: **Helen of Troy Limited**, St. Michael (BB)

(*) Notice: This patent is subject to a terminal disclaimer.

(**) Term: **15 Years**

(21) Appl. No.: **29/526,839**
(22) Filed: **May 13, 2015**
(51) **LOC (10) Cl.** **23-01**
(52) **U.S. Cl.**
USPC **D23/209**
(58) **Field of Classification Search**
USPC D23/207, 209; D7/400, 316, 317, 318;
210/232, 282, 244, 238
CPC C02F 1/003; B01D 35/30
See application file for complete search history.

(56) **References Cited**

U.S. PATENT DOCUMENTS

D398,184 S 9/1998 Silverberg et al.
D440,110 S 4/2001 Tanner et al.
D444,843 S * 7/2001 Hilgers D23/207
6,649,045 B2 11/2003 Tanner et al.
D520,597 S * 5/2006 Witte D23/209
D574,924 S * 8/2008 Horiuchi D23/209
D576,250 S 9/2008 Born et al.
D596,704 S 7/2009 Born et al.
7,670,479 B2 3/2010 Arett et al.
D616,694 S * 6/2010 Kulikov D23/209

OTHER PUBLICATIONS

U.S. Appl. No. 29/526,841, filed May 13, 2015.
(Continued)

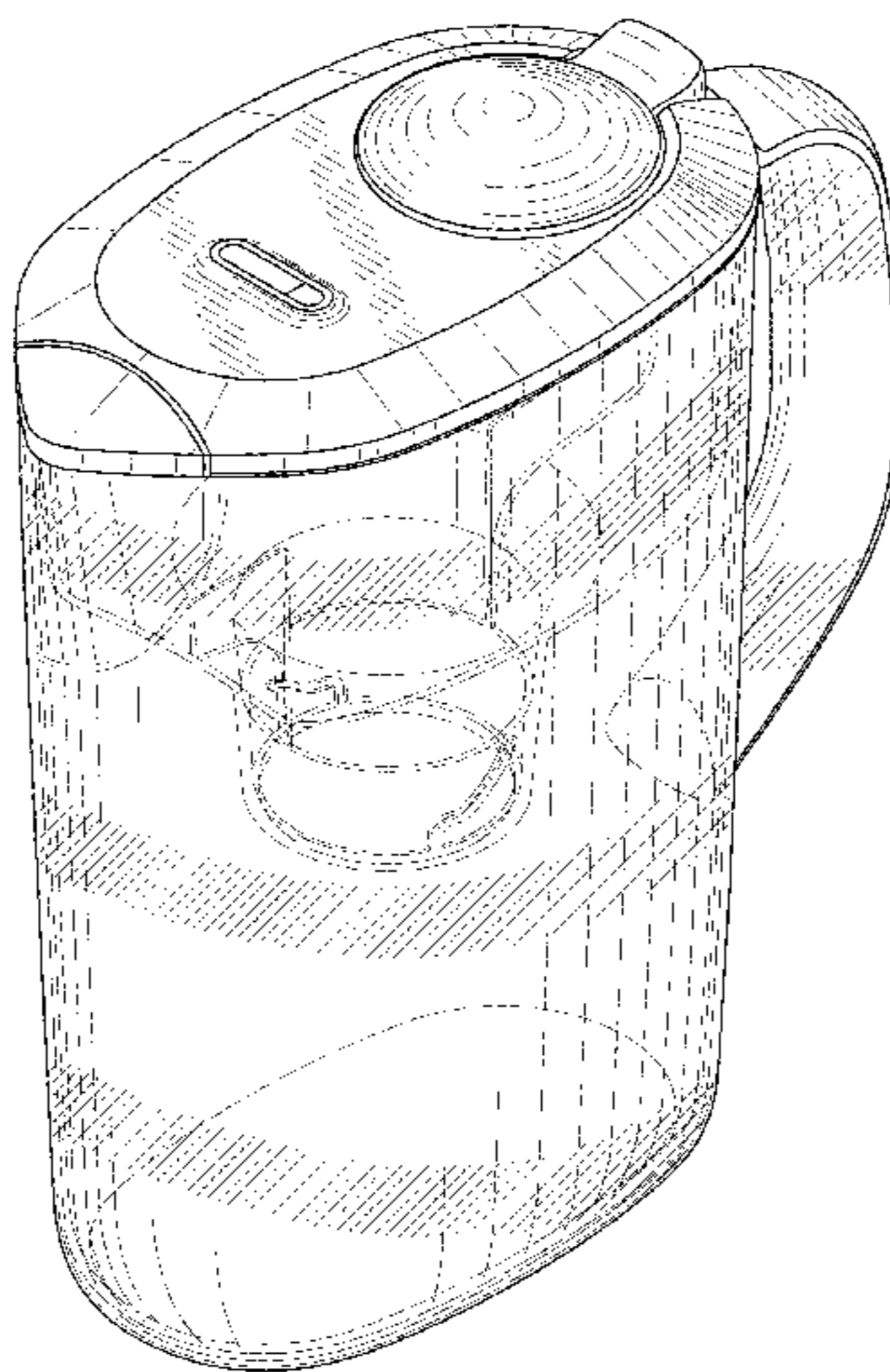
Primary Examiner — Robin V Webster
(74) *Attorney, Agent, or Firm* — Ulmer & Berne LLP

(57) **CLAIM**
The ornamental design of a water filter pitcher, as shown and described.

DESCRIPTION

FIG. 1 is an isometric view of a water filter pitcher illustrating our new design;
FIG. 2 is a right side elevational view thereof;
FIG. 3 is a left side elevational view thereof;
FIG. 4 is a front elevational view thereof;
FIG. 5 is a back elevational view thereof;
FIG. 6 is a top planar view thereof;
FIG. 7 is a bottom planar view thereof;
FIG. 8 is a cross-sectional side elevational view thereof, taken along line 8-8 of FIG. 6;
FIG. 9 is an isometric view of an unfiltered water housing of the water filter pitcher of FIG. 1, illustrating the unfiltered water housing removed from the water filter pitcher;
FIG. 10 is a right side elevational view thereof;
FIG. 11 is a left side elevational view thereof;
FIG. 12 is a front elevational view thereof;
FIG. 13 is a back elevational view thereof;
FIG. 14 is a top planar view thereof;
FIG. 15 is a bottom planar view thereof; and,
FIG. 16 is a cross-sectional side elevational view thereof, taken along line 16-16 of FIG. 14.
The broken lines form no part of the claimed design.

1 Claim, 12 Drawing Sheets



(56)

References Cited

OTHER PUBLICATIONS

U.S. PATENT DOCUMENTS

8,413,844 B2 4/2013 Arett et al.
D740,916 S * 10/2015 Doi D23/207

U.S. Appl. No. 29/526,845, filed May 13, 2015.
U.S. Appl. No. 29/526,848, filed May 13, 2015.

* cited by examiner

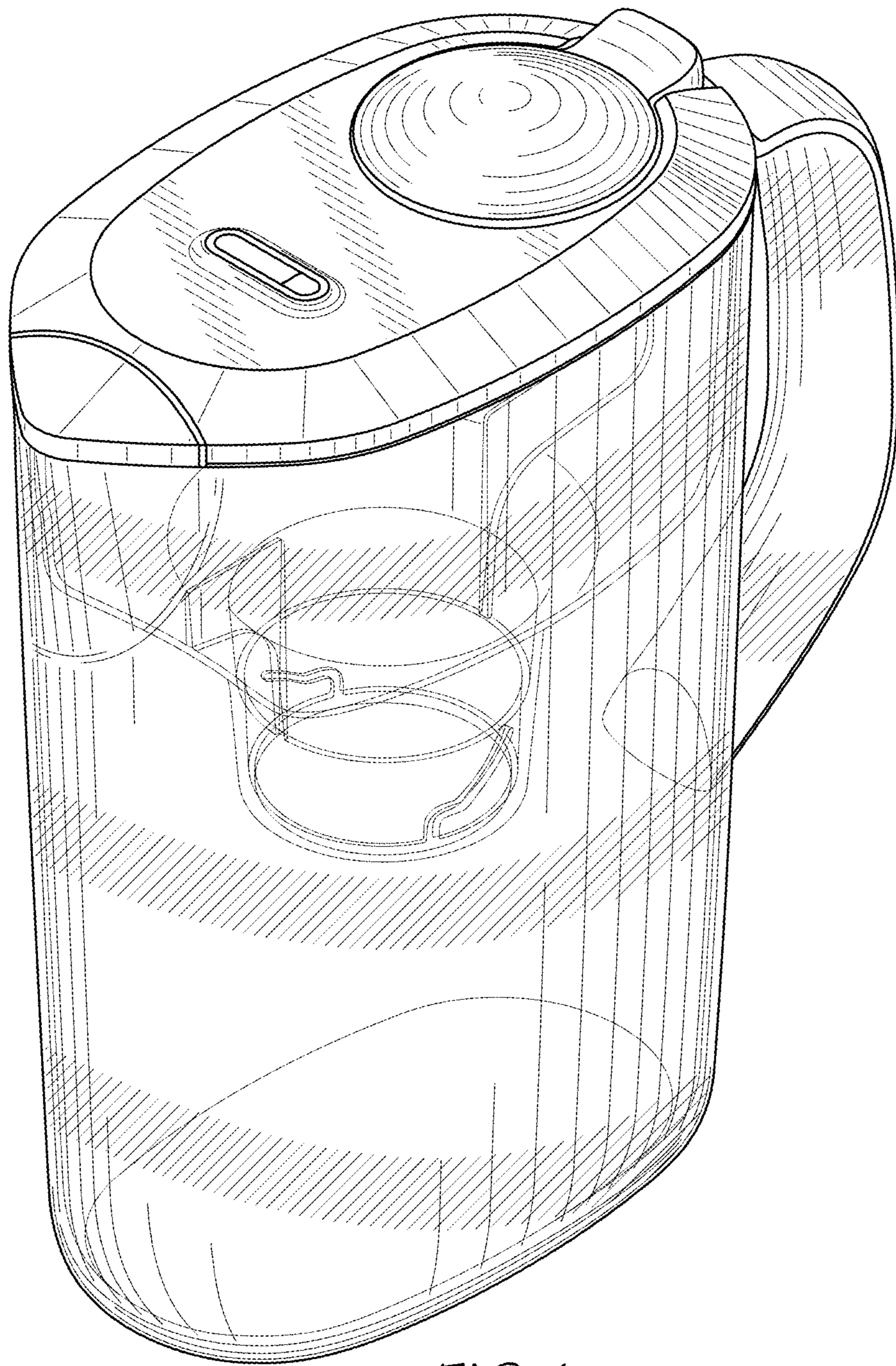


FIG. 1

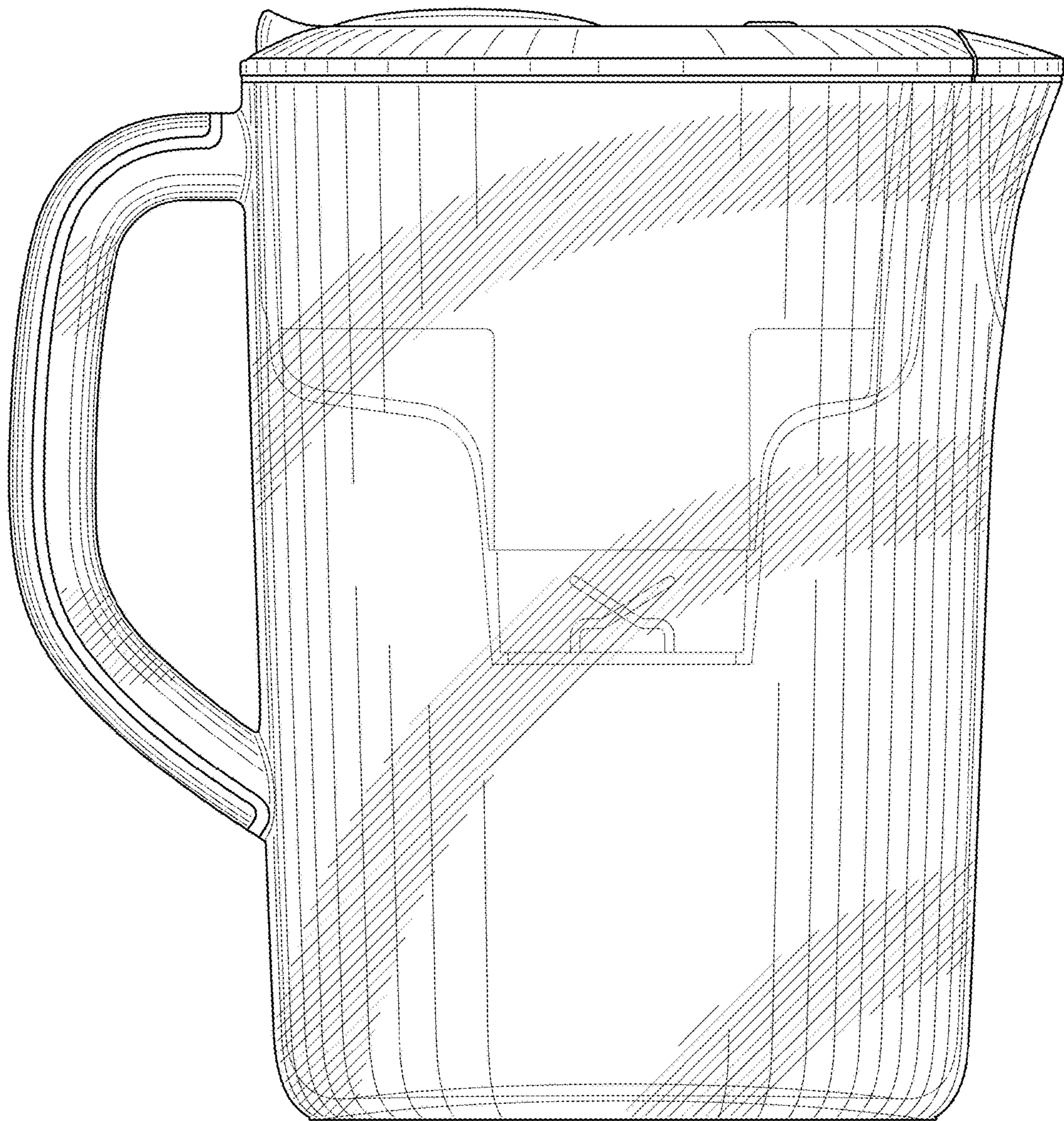


FIG. 3

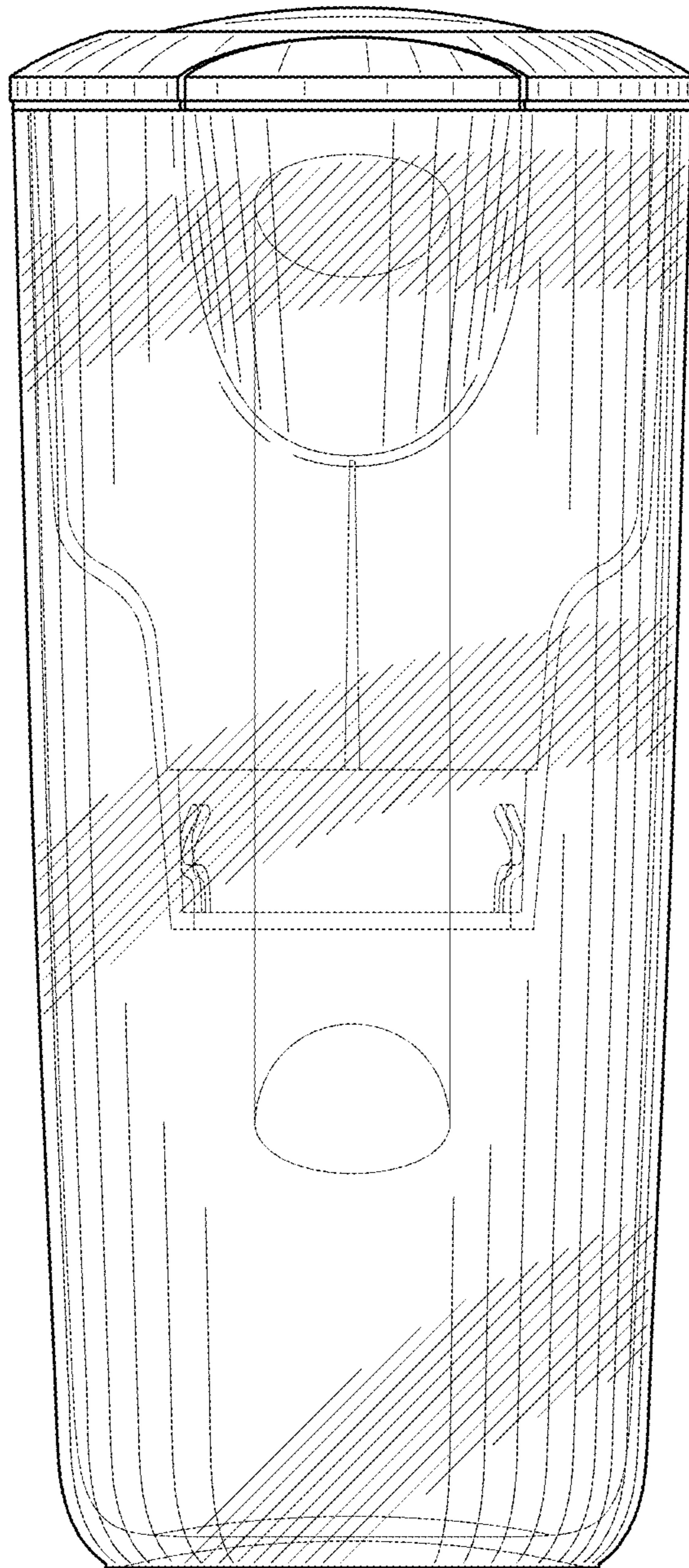


FIG. 4

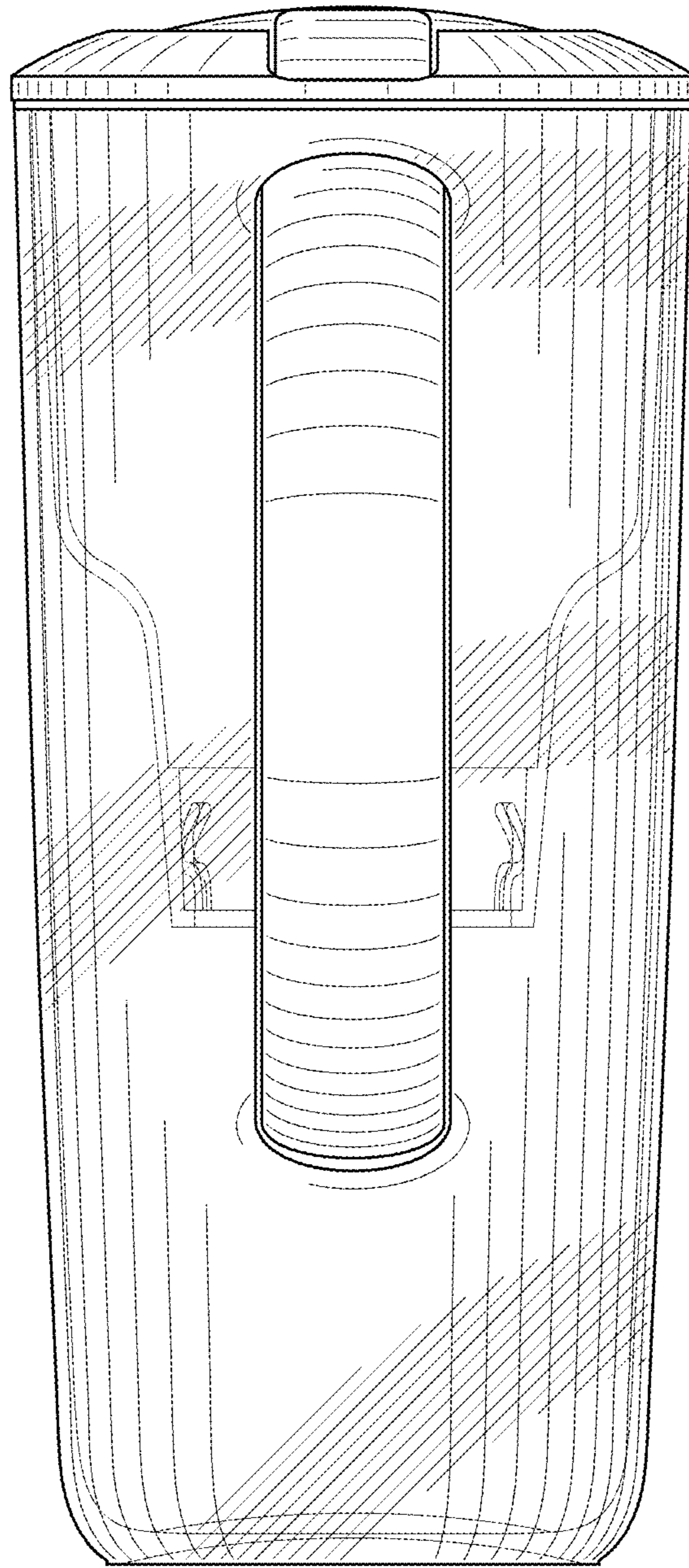


FIG. 5

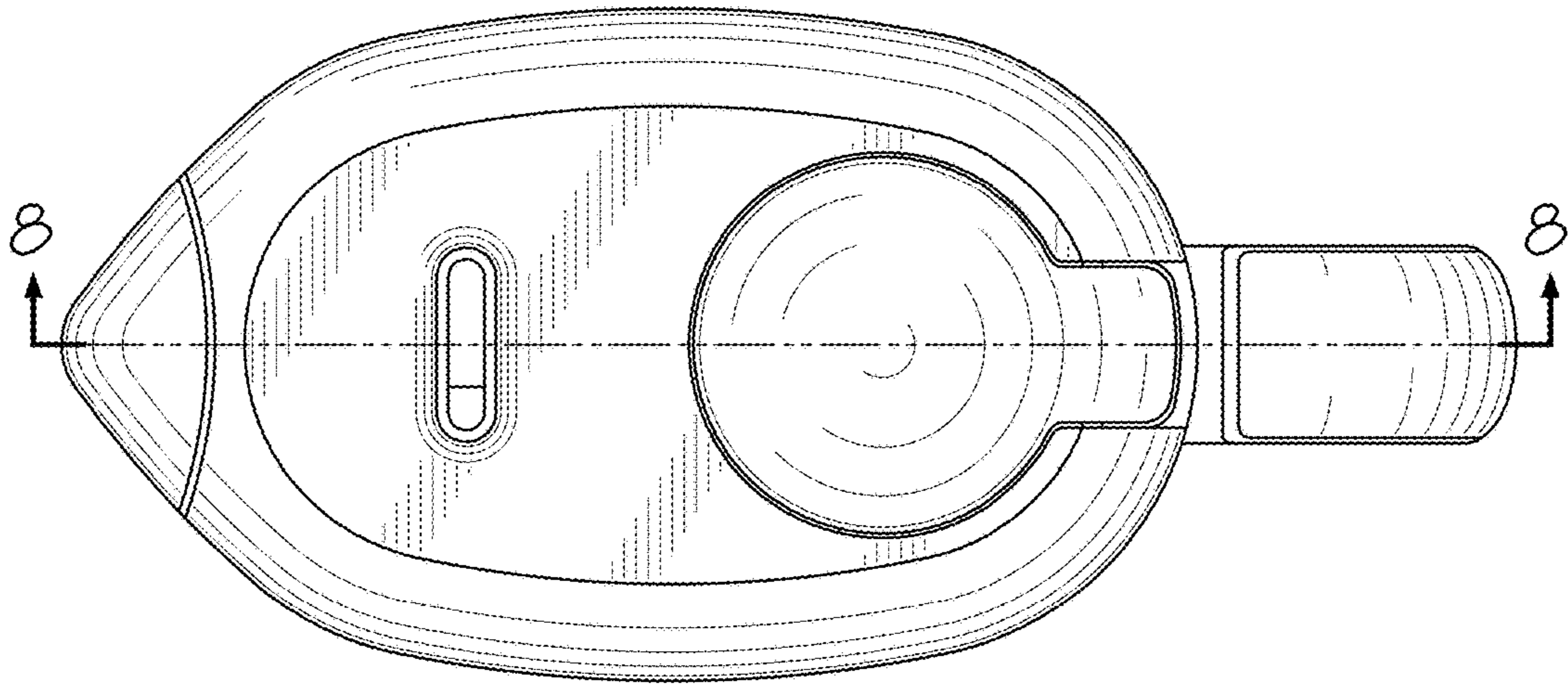


FIG. 6

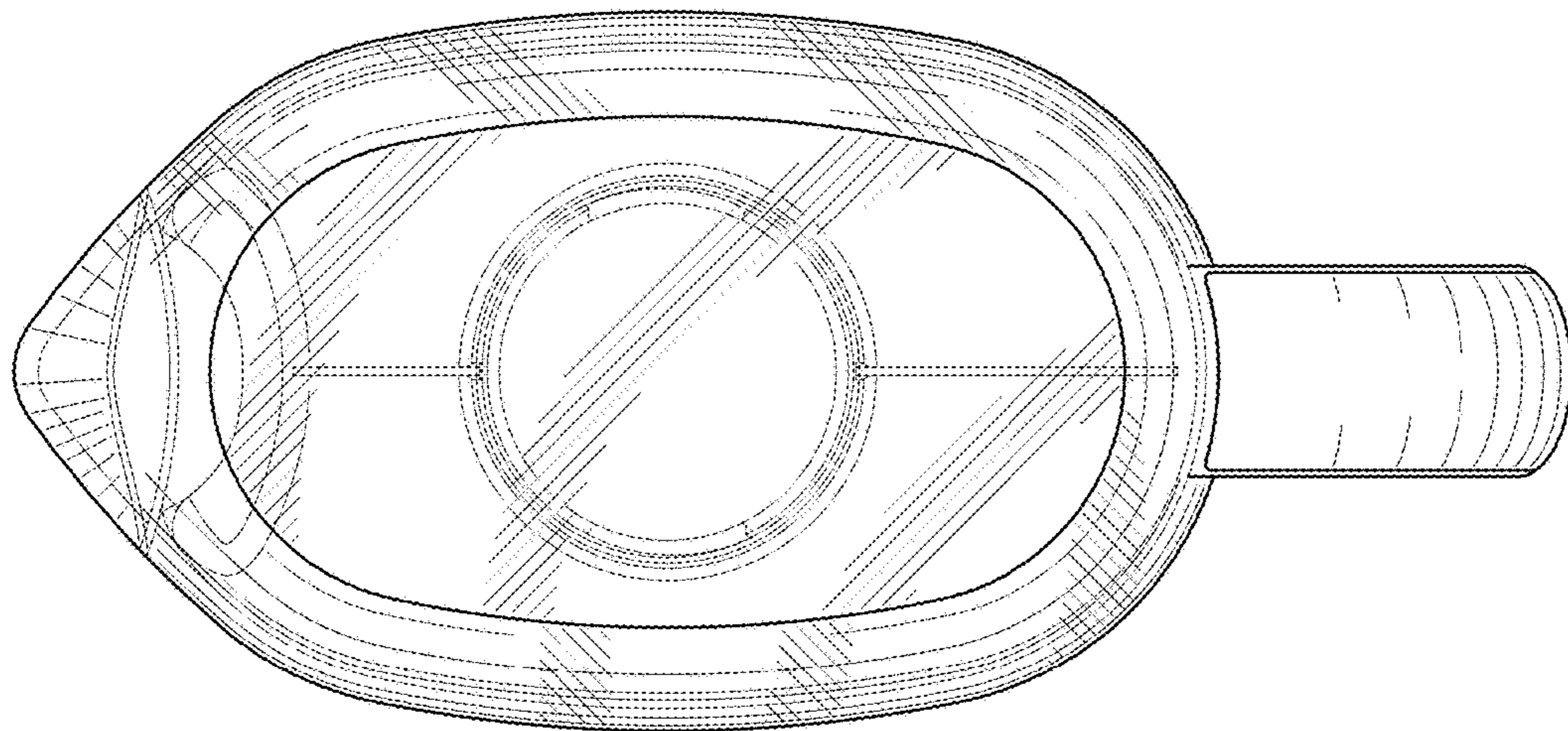


FIG. 7



FIG. 8

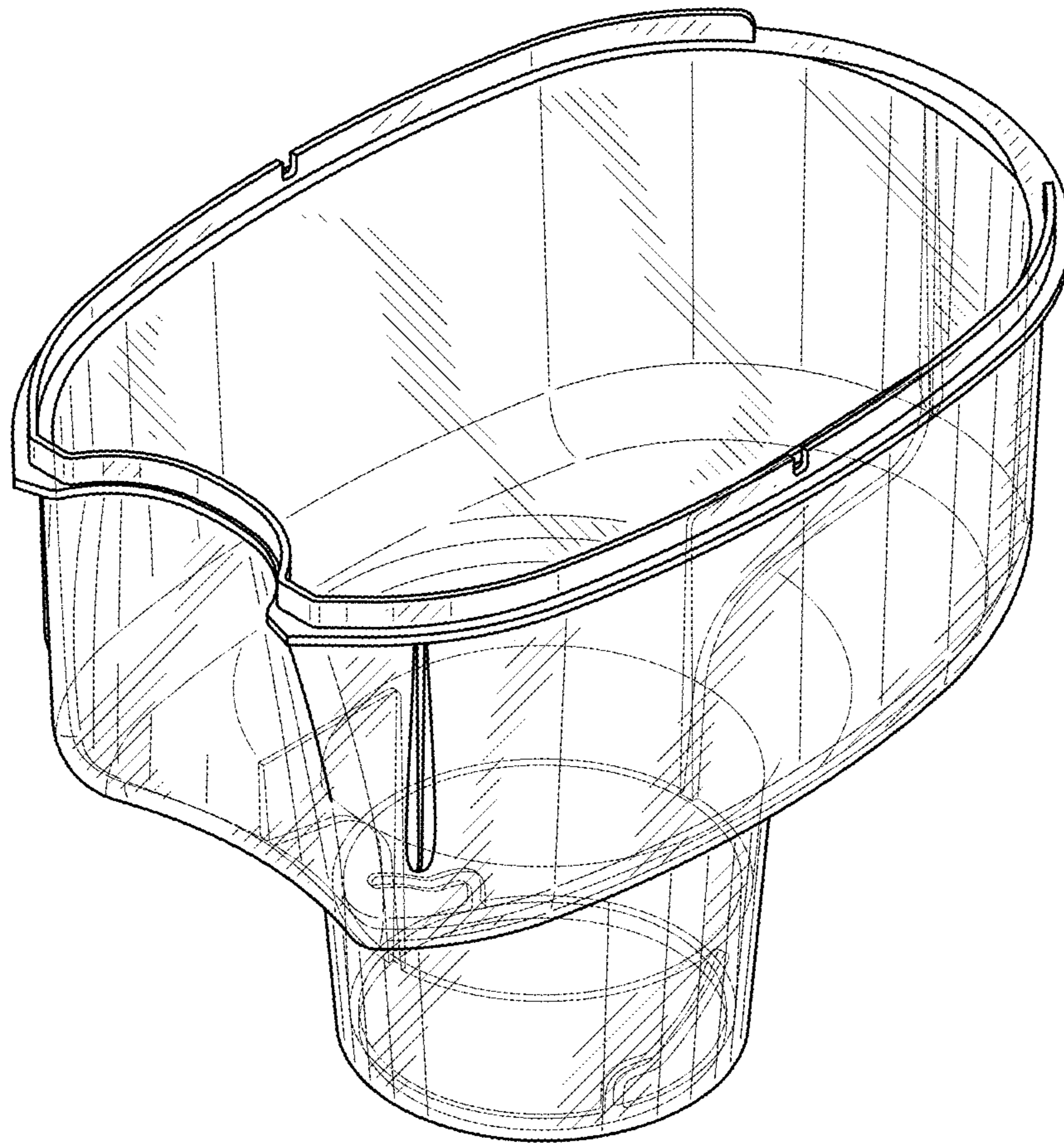


FIG. 9

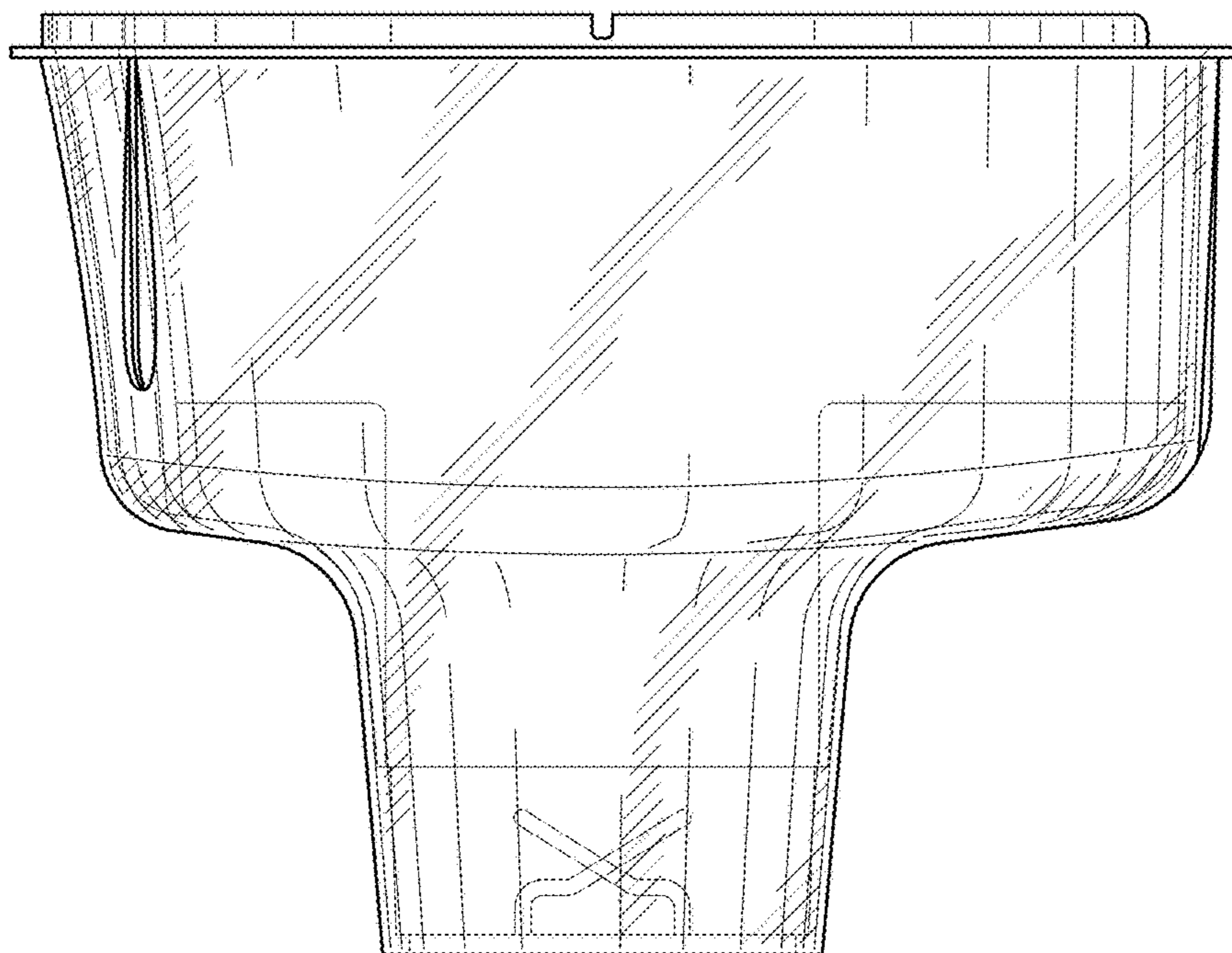


FIG. 10

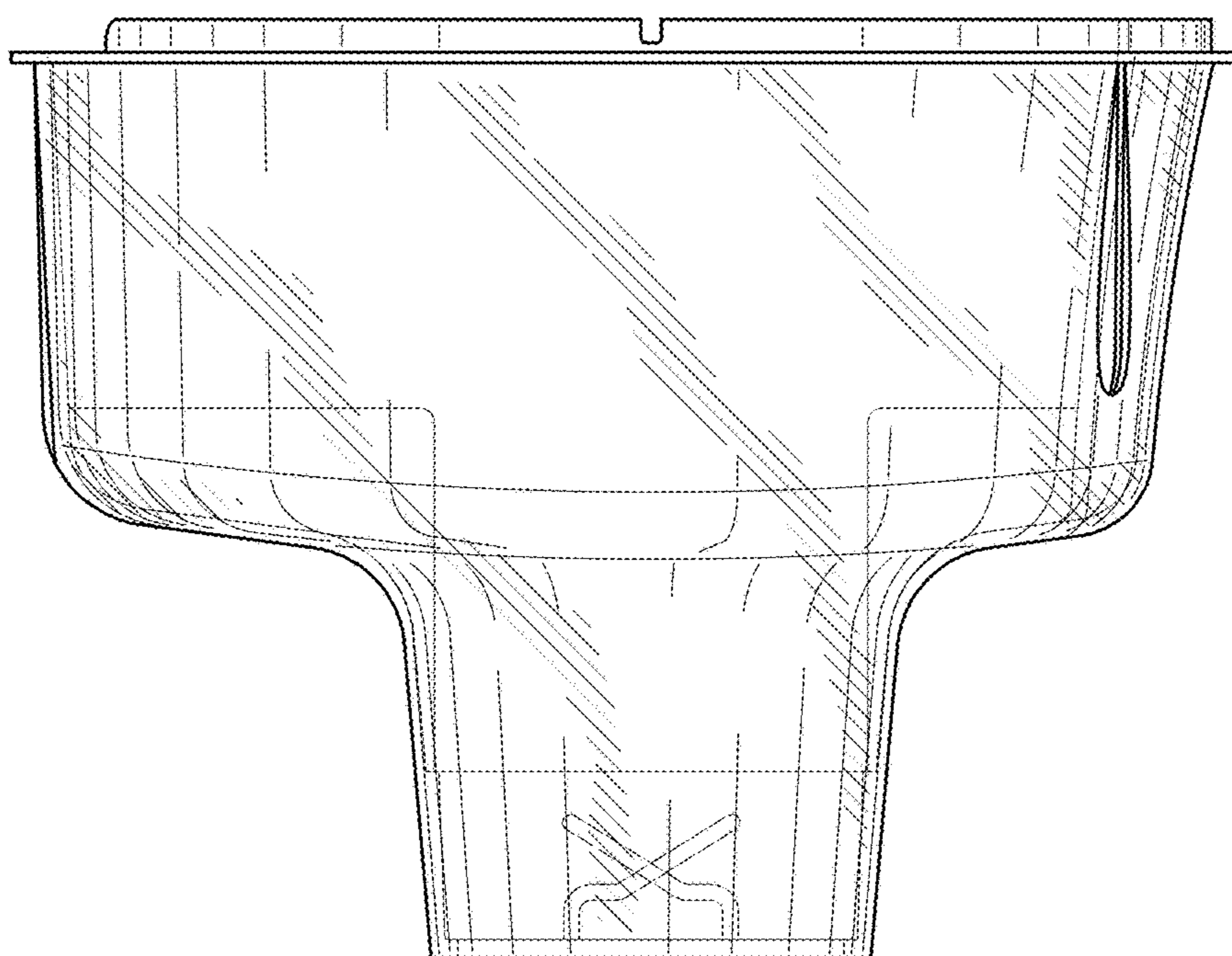


FIG. 11

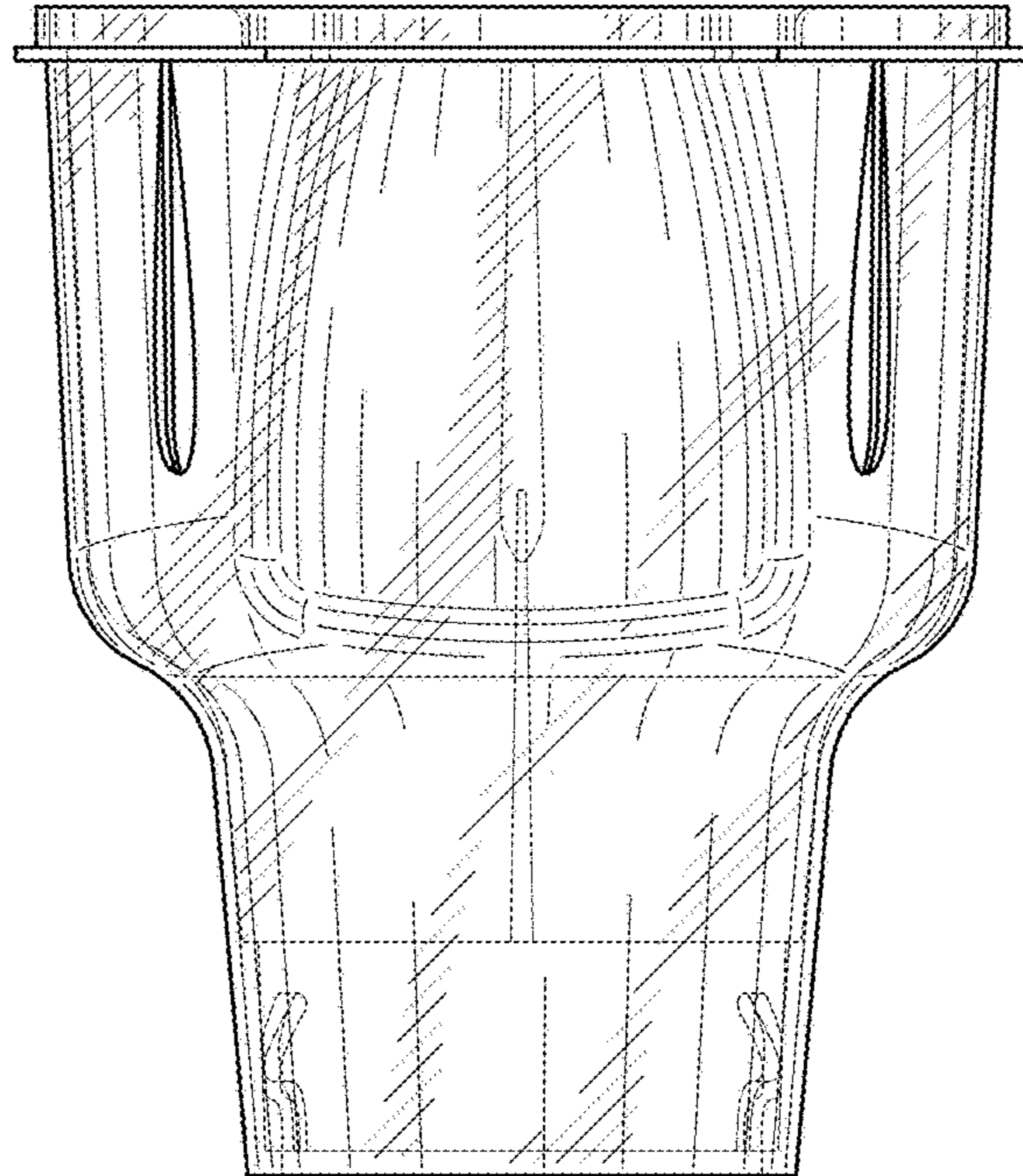


FIG. 12

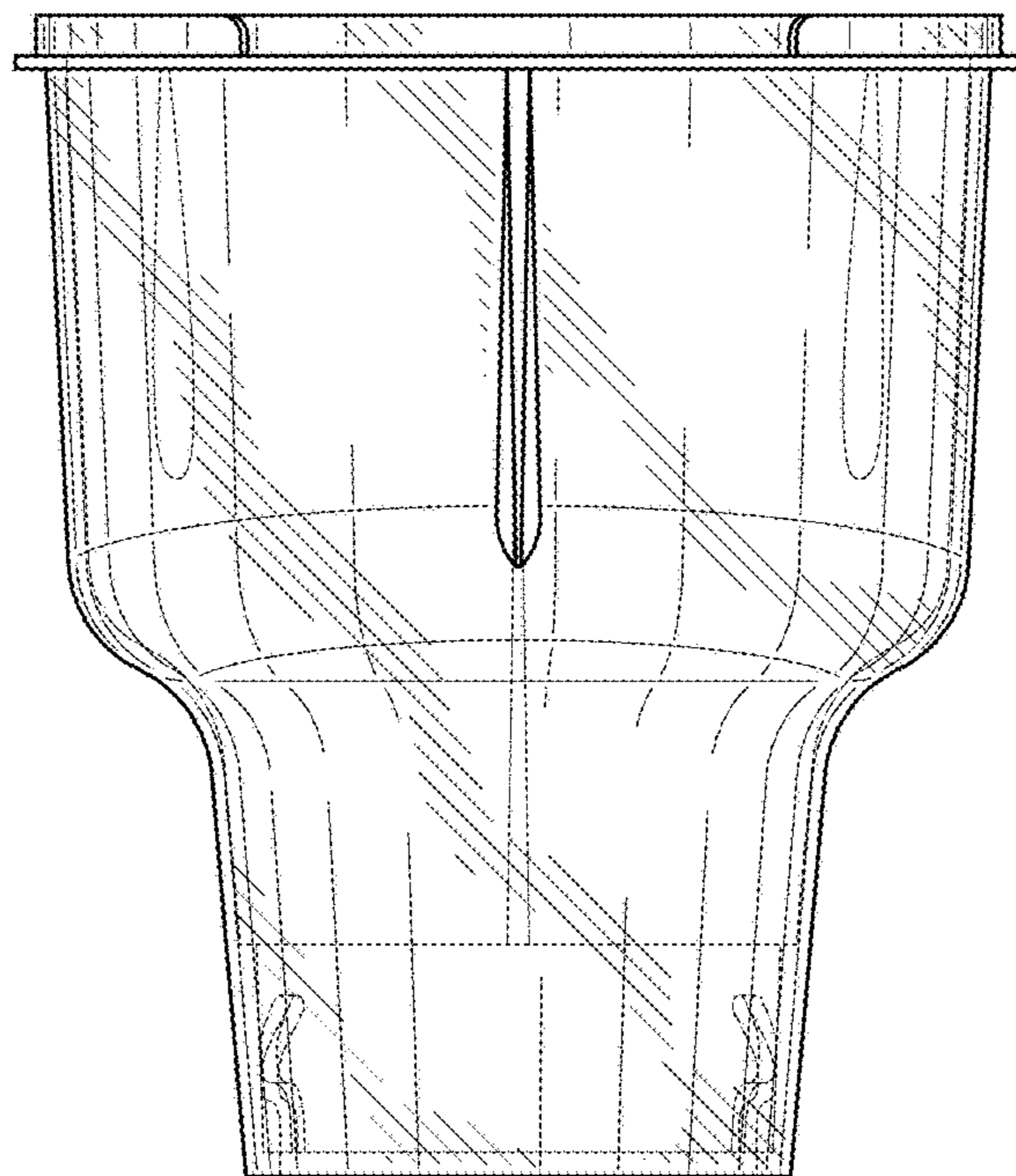


FIG. 13

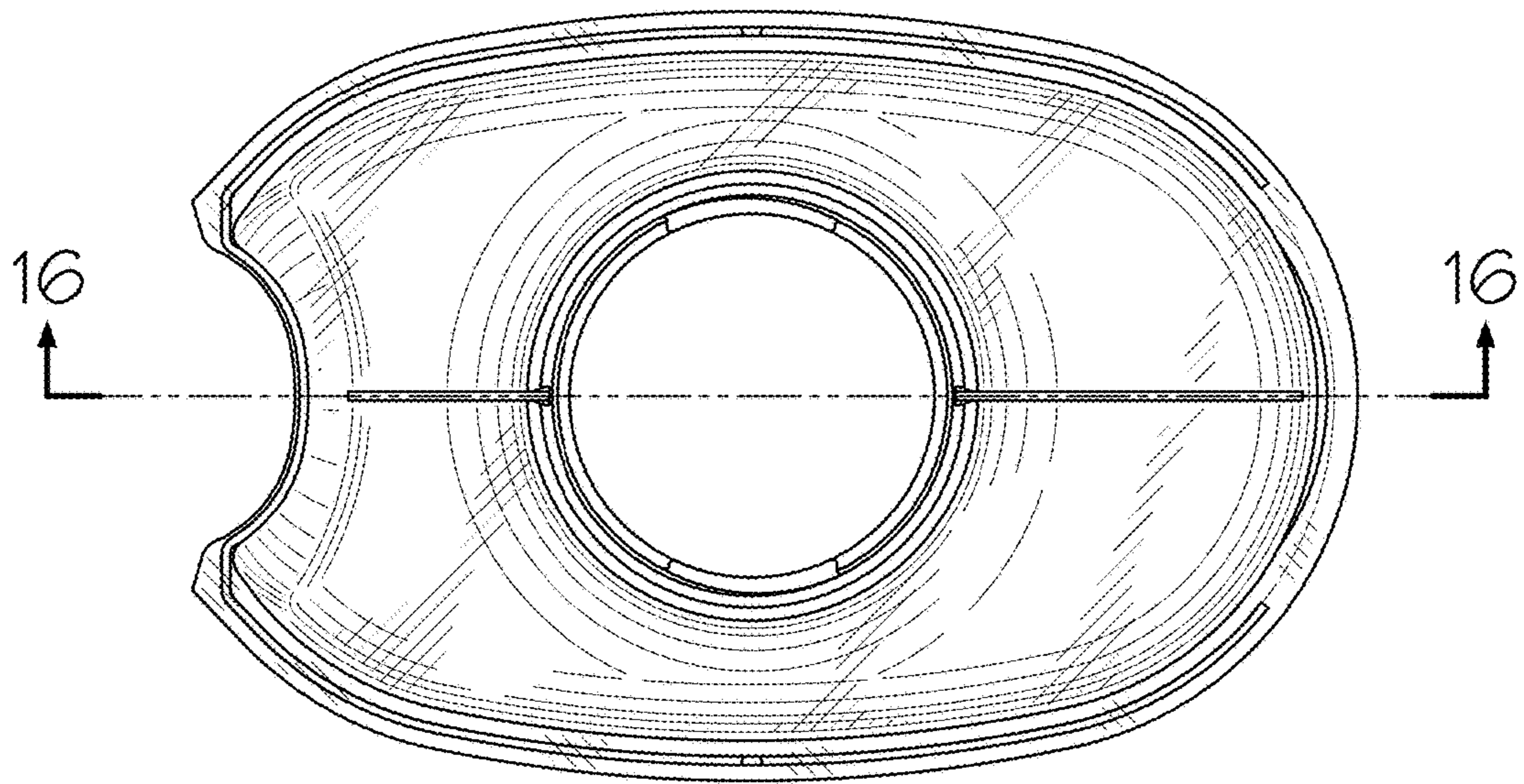


FIG. 14

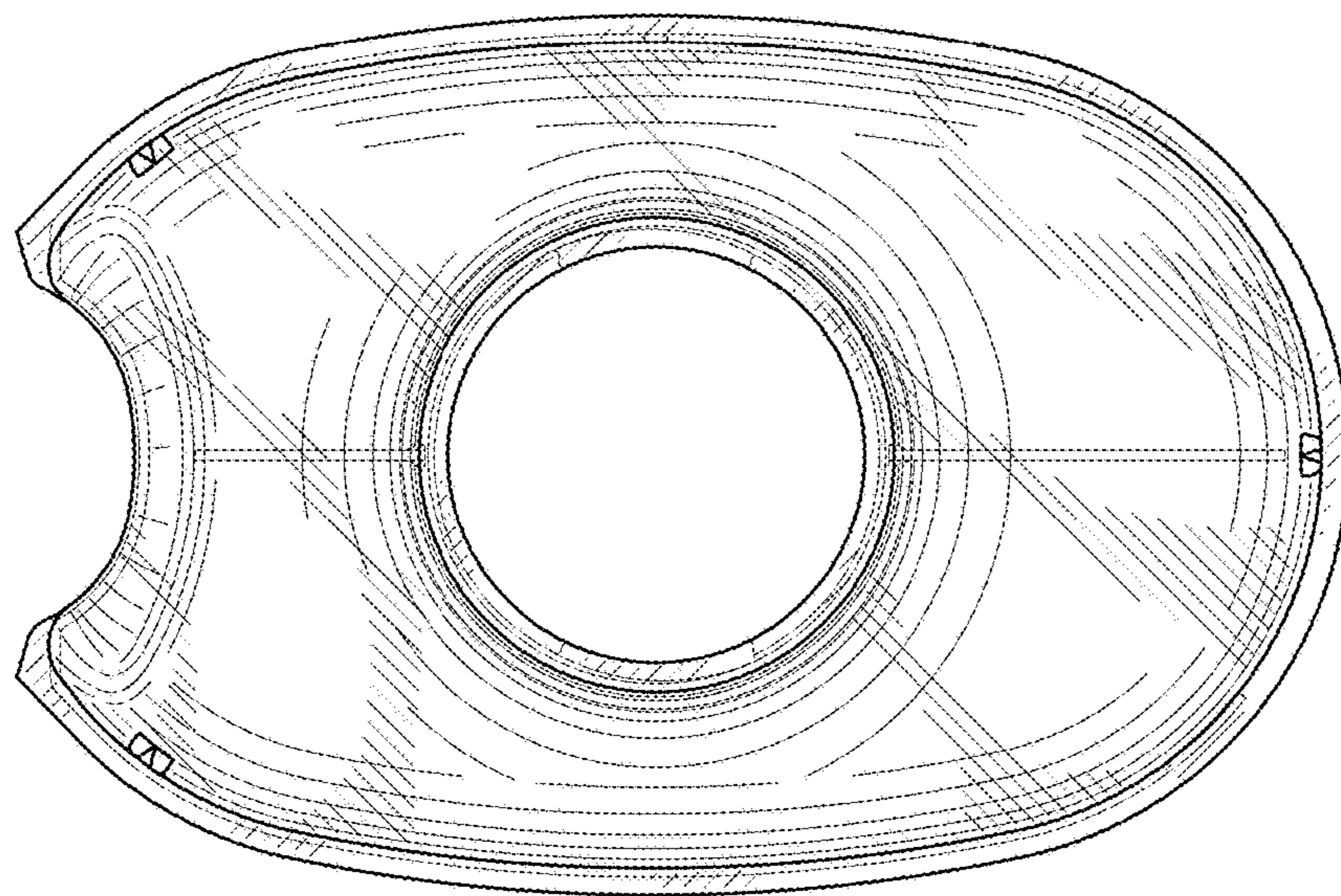


FIG. 15

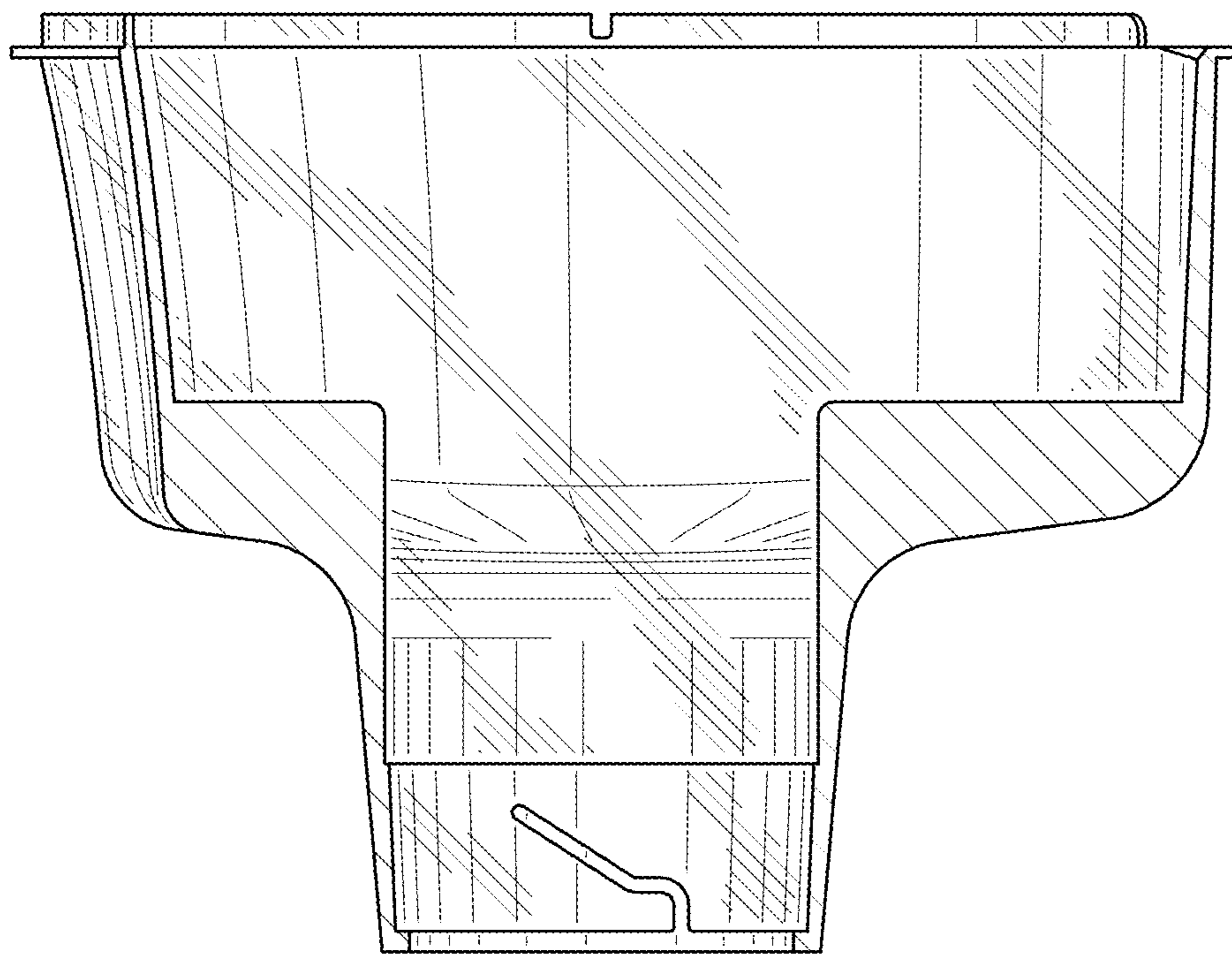


FIG. 16