



US00D773010S

(12) **United States Design Patent** (10) **Patent No.:** **US D773,010 S**
Danos et al. (45) **Date of Patent:** **** Nov. 29, 2016**

- (54) **AQUATIC ANIMAL ATTRACTING FLOAT DEVICE**
- (71) Applicants: **Jeffrey A. Danos**, Mandeville, LA (US); **Jack A. Danos**, Mandeville, LA (US)
- (72) Inventors: **Jeffrey A. Danos**, Mandeville, LA (US); **Jack A. Danos**, Mandeville, LA (US)
- (**) Term: **15 Years**
- (21) Appl. No.: **29/544,235**
- (22) Filed: **Oct. 30, 2015**
Related U.S. Application Data
- (63) Continuation-in-part of application No. 29/535,023, filed on Aug. 3, 2015.
- (51) **LOC (10) Cl.** **22-05**
- (52) **U.S. Cl.**
USPC **D22/146; D22/126**
- (58) **Field of Classification Search**
USPC D21/473, 474, 803; D22/121, 125, 126, D22/136, 137, 146; D32/29, 37, 53
CPC A01K 97/00; A01K 97/02; A01K 97/04; B63B 17/00; A01G 31/02; B65D 25/00; B65G 45/04
See application file for complete search history.

- (56) **References Cited**
U.S. PATENT DOCUMENTS
- 2,534,709 A * 12/1950 Goertzen A01K 75/02 362/203
- 2,614,358 A * 10/1952 Adams A01K 97/02 43/43.1
- D300,344 S * 3/1989 Boulette, III D22/126
- D302,842 S * 8/1989 Holzman D22/129
- 5,031,351 A * 7/1991 Rogel A01K 95/00 43/43.12
- 5,331,760 A 7/1994 DuMont
- D442,256 S * 5/2001 Haney D22/146
- D466,582 S * 12/2002 Haney D22/146
- D562,934 S * 2/2008 Haney D22/146
- D616,524 S * 5/2010 Haroian D22/134
- D691,694 S * 10/2013 Marshall D22/126

D747,434 S *	1/2016	Gibbs	D22/126
2003/0046857 A1 *	3/2003	Paulsen	A01K 95/00 43/42.06
2004/0068916 A1 *	4/2004	Harris	A01K 97/02 43/44.99
2007/0147173 A1 *	6/2007	Park	G01S 7/521 367/107
2007/0180758 A1 *	8/2007	Patton	A01K 91/06 43/44.92
2008/0022579 A1 *	1/2008	Osenbach	A01K 91/02 43/43.1
2008/0236020 A1 *	10/2008	Murrell	A01K 83/06 43/4.5
2013/0049237 A1 *	2/2013	Al-Anzi	A01K 61/02 261/120
2014/0027358 A1 *	1/2014	Sayre	C02F 1/688 210/85

* cited by examiner

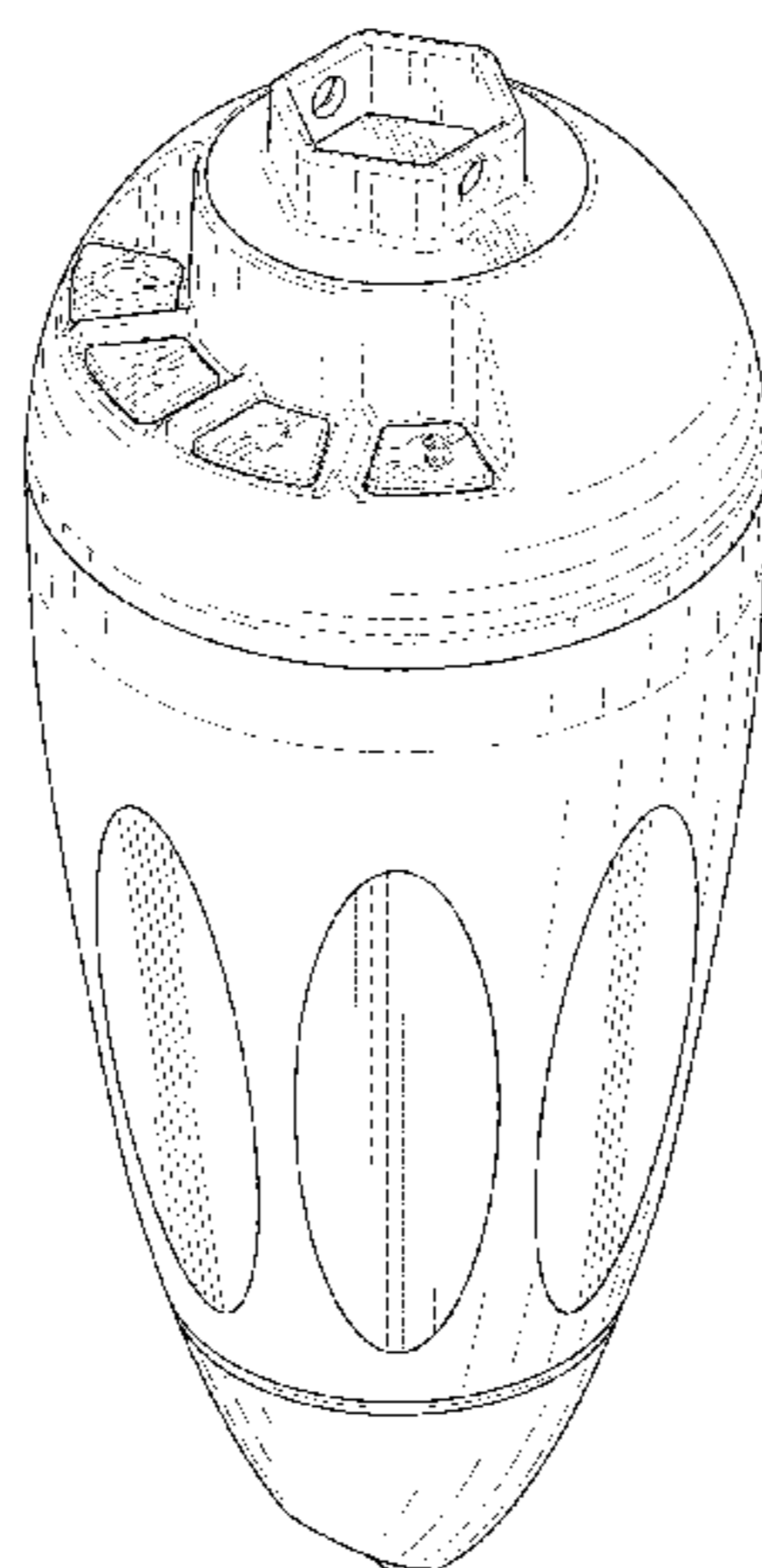
Primary Examiner — Manpreet Matharu
Assistant Examiner — Suzanne Tisdell
(74) *Attorney, Agent, or Firm* — Asgaard Patent Services, LLC; F. Wayne Thompson, Jr.

(57) **CLAIM**
The ornamental design for an aquatic animal attracting float device, as shown and described.

DESCRIPTION

FIG. 1 is a top, front, right isometric view of an aquatic animal attracting float device;
FIG. 2 is a front view of an aquatic animal attracting float device;
FIG. 3 is a right side view of an aquatic animal attracting float device;
FIG. 4 is a rear view of an aquatic animal attracting float device;
FIG. 5 is a left side view of an aquatic animal attracting float device;
FIG. 6 is a top view of an aquatic animal attracting float device;
FIG. 7 is a bottom view of an aquatic animal attracting float device; and,
FIG. 8 is a bottom, rear, left isometric view of an aquatic animal attracting float device.
The broken lines shown in the drawings represent portions of the aquatic animal attracting float device that form no part of the claimed design.

1 Claim, 7 Drawing Sheets



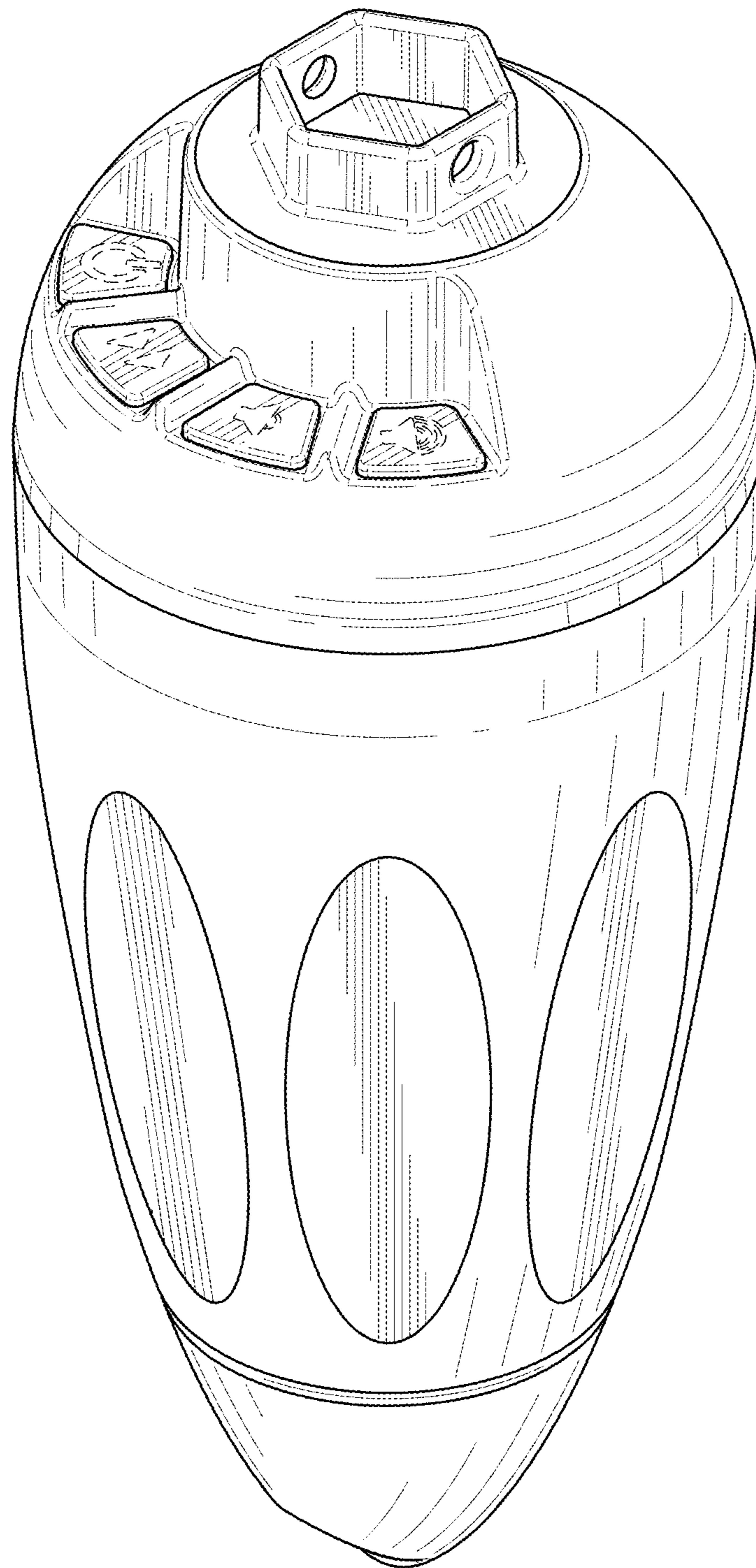


FIG. 1

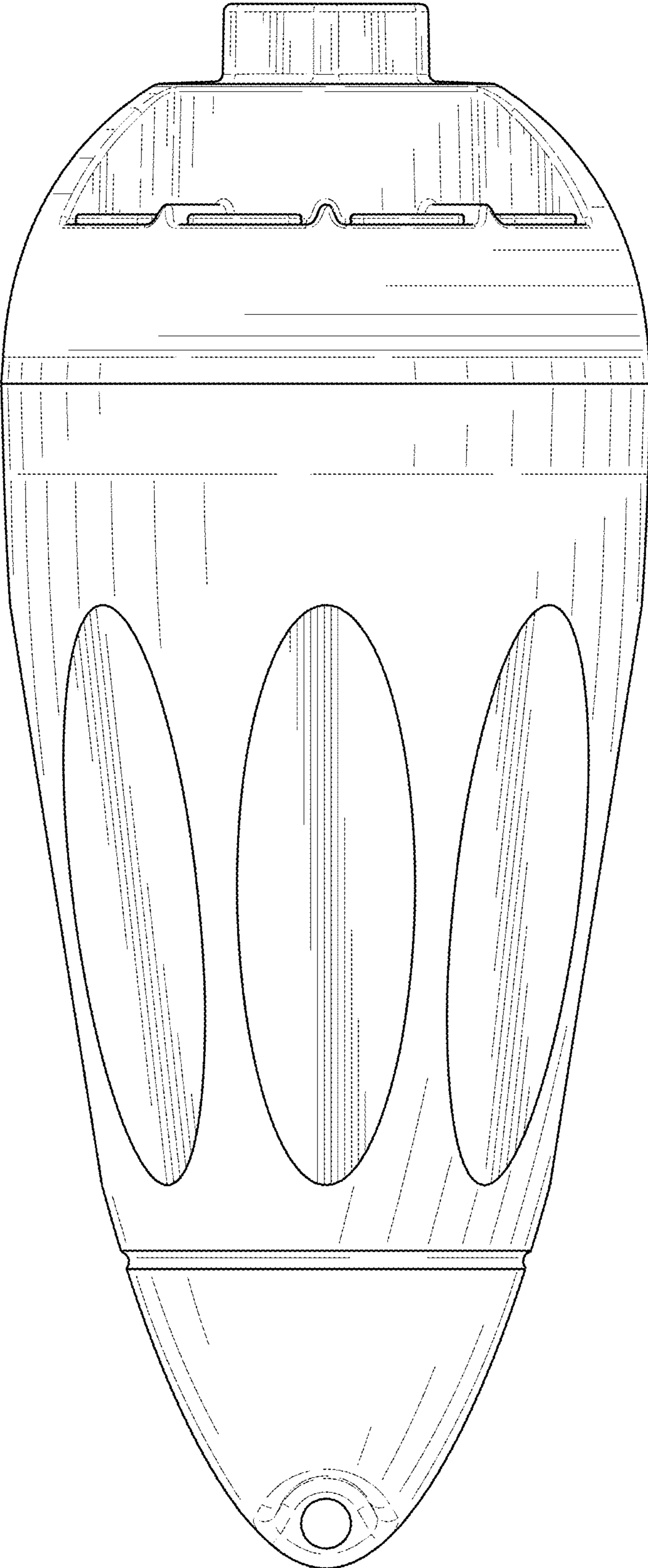


FIG. 2

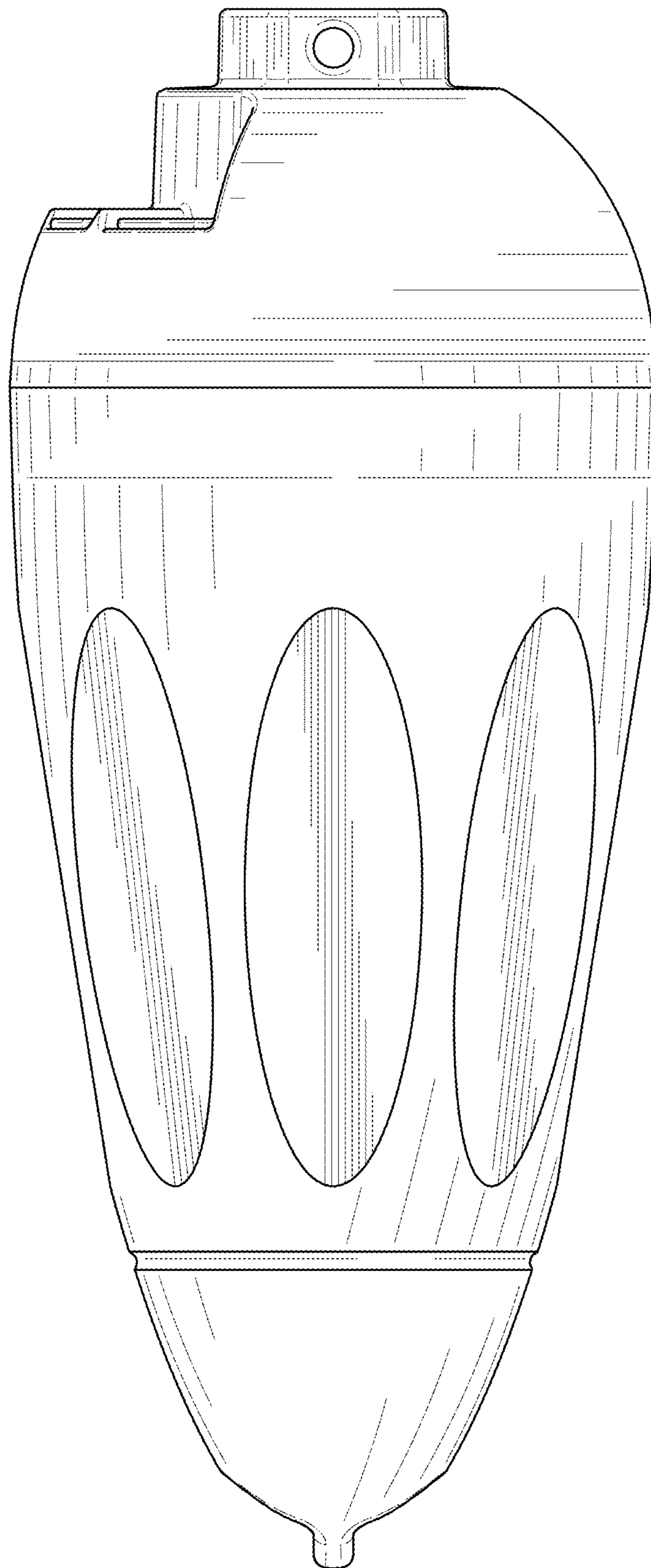


FIG. 3

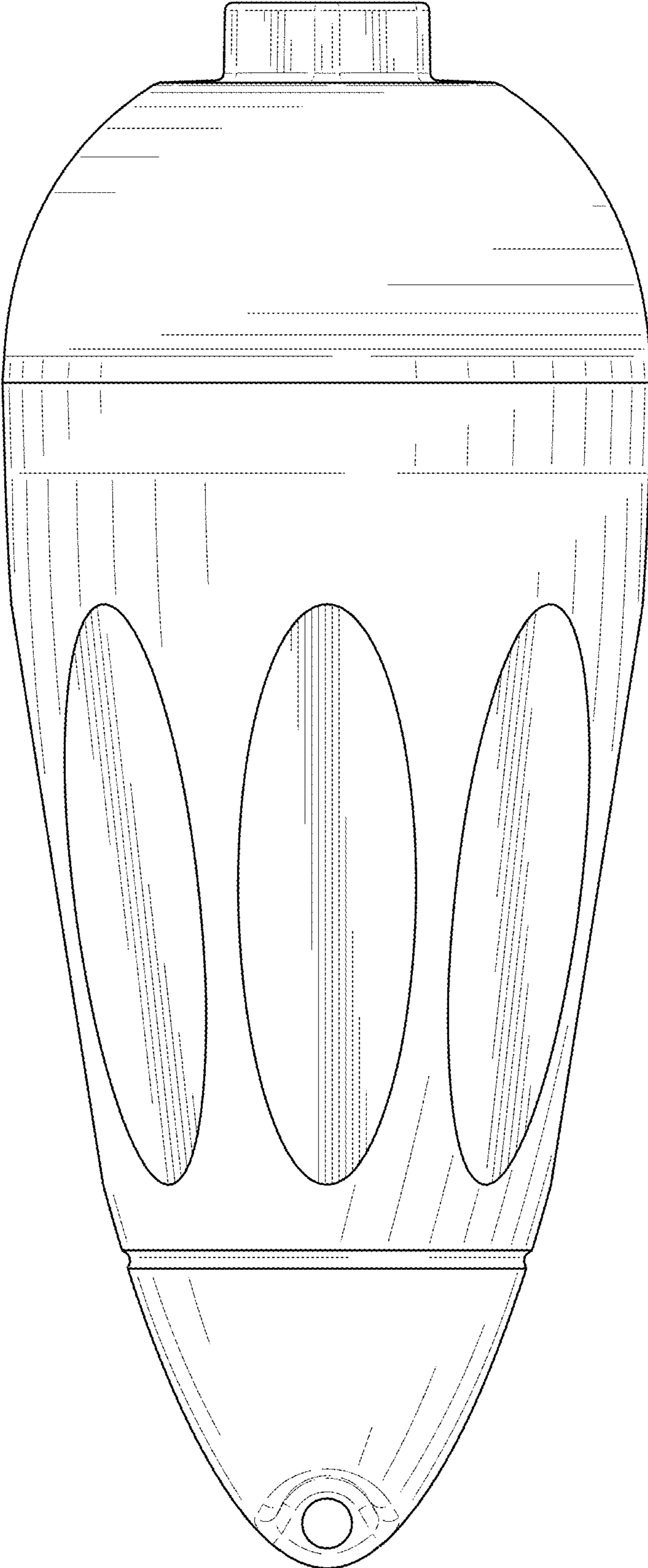


FIG. 4

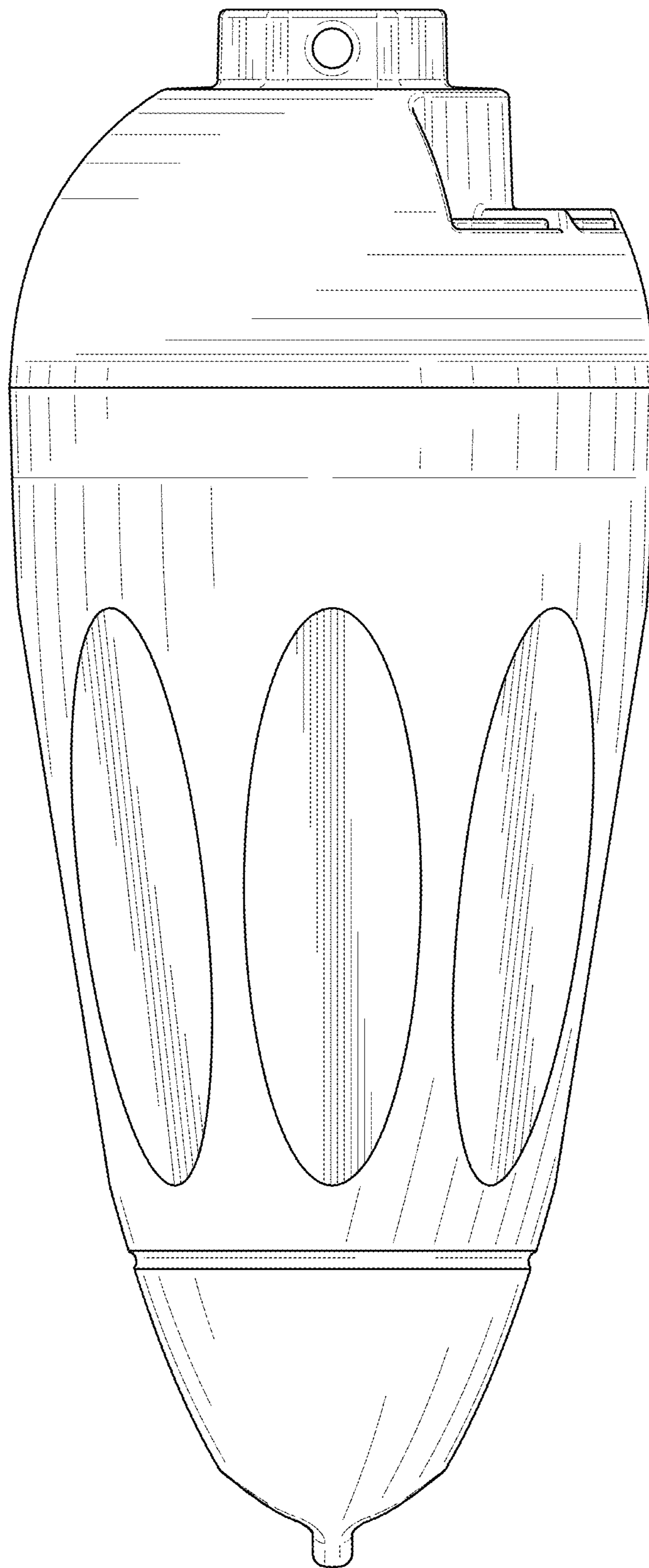


FIG. 5

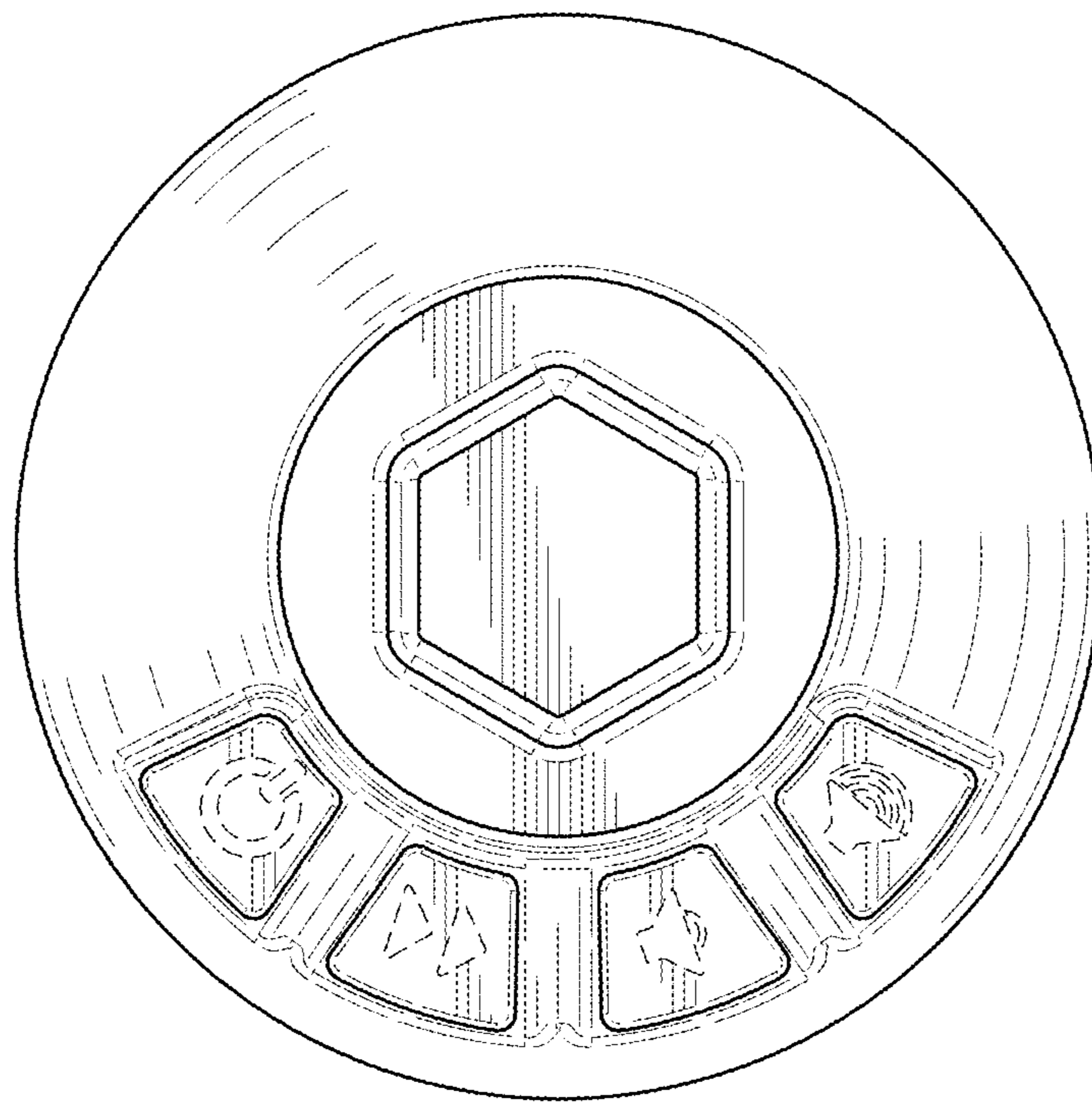


FIG. 6

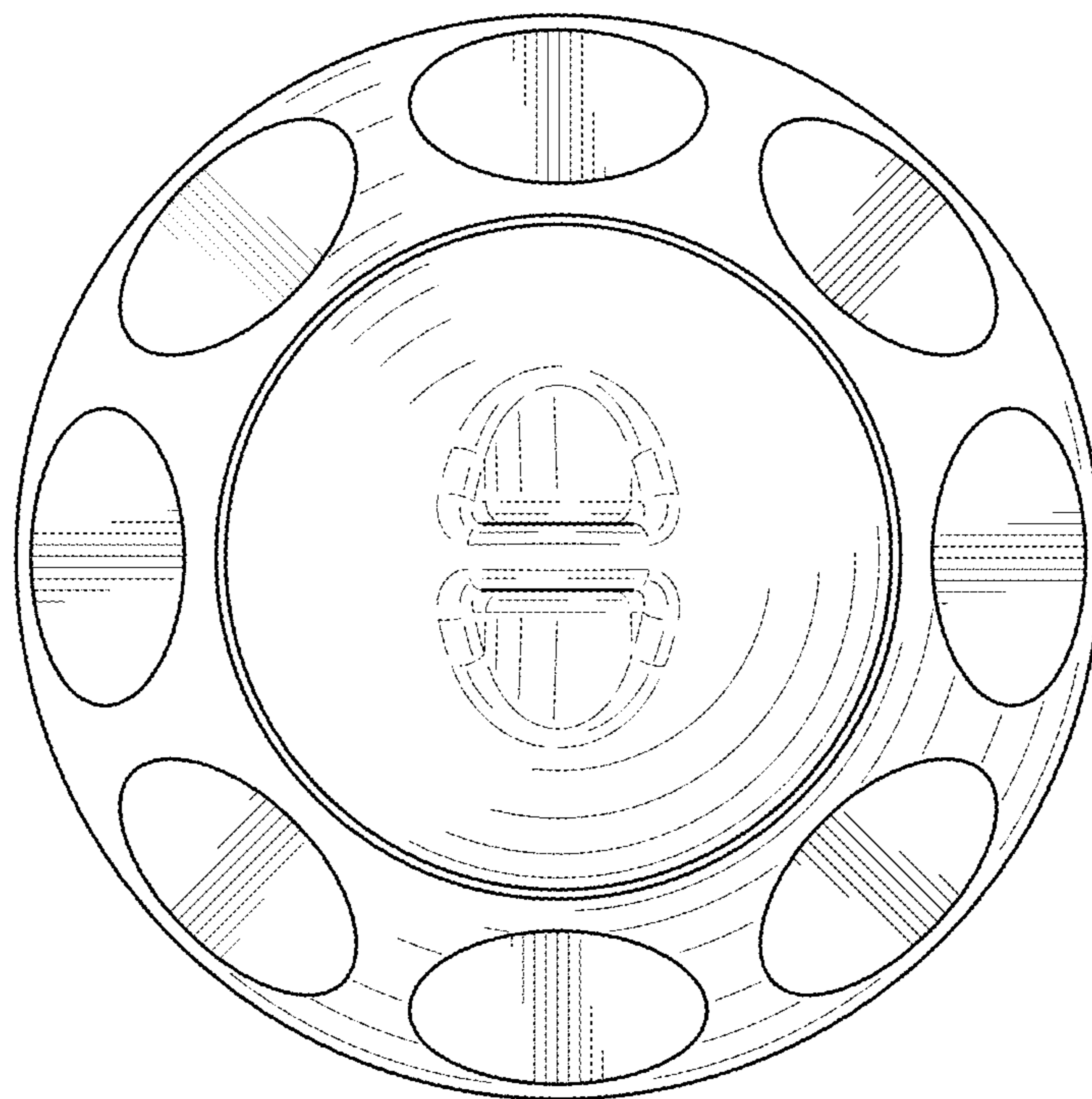


FIG. 7

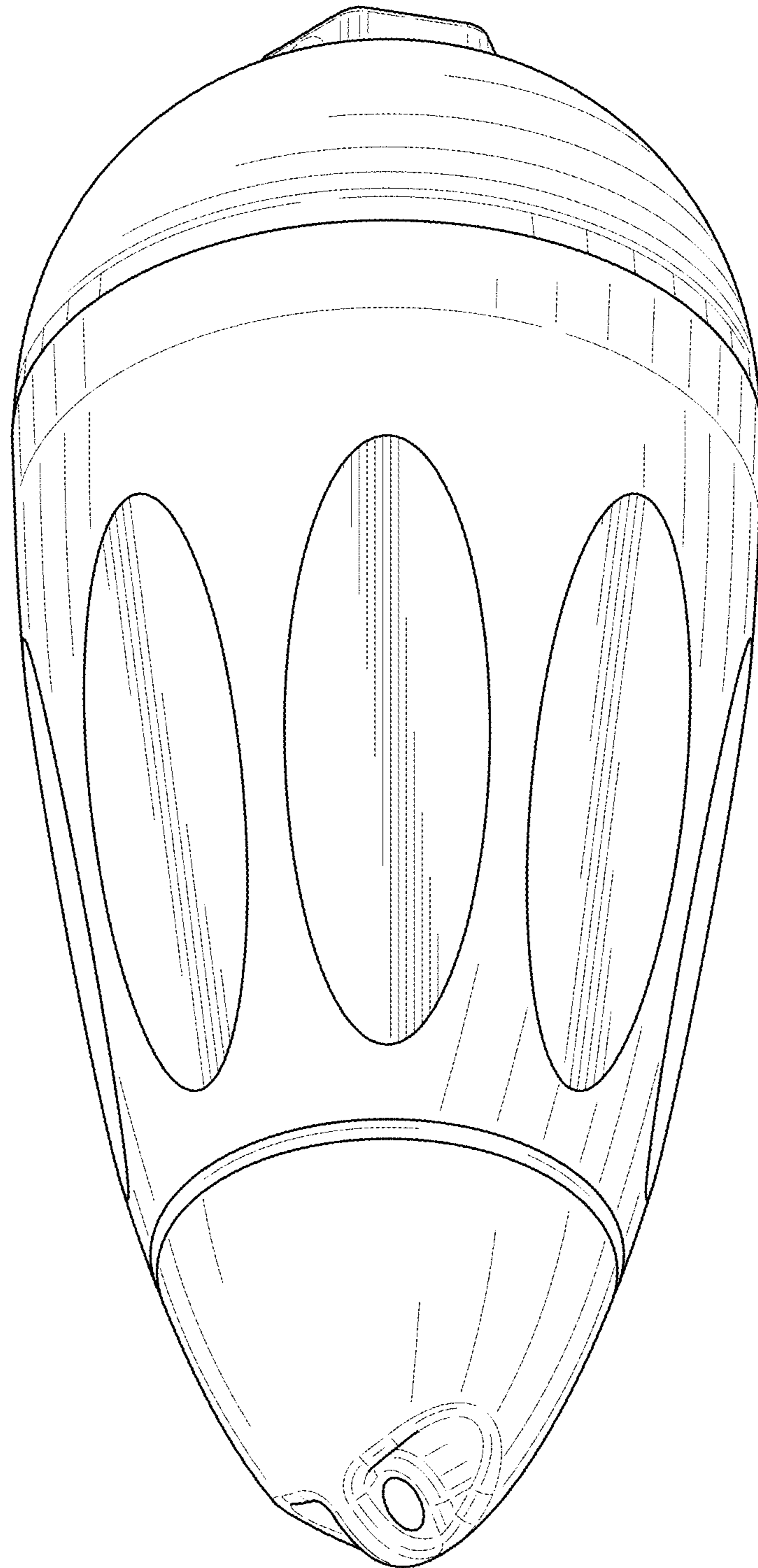


FIG. 8