

US00D773006S

(12) **United States Design Patent**  
**Stark**

(10) **Patent No.:** **US D773,006 S**

(45) **Date of Patent:** **\*\* Nov. 29, 2016**

(54) **TARGET STAND**

(71) Applicant: **SRM Targets LLC**, Nampa, ID (US)

(72) Inventor: **David W. Stark**, Kuna, ID (US)

(73) Assignee: **SRM TARGETS LLC**, Nampa, ID (US)

(\*\*) Term: **14 Years**

(21) Appl. No.: **29/518,038**

(22) Filed: **Feb. 19, 2015**

(51) **LOC (10) Cl.** ..... **22-04**

(52) **U.S. Cl.**  
USPC ..... **D22/113**

(58) **Field of Classification Search**  
USPC ..... D22/113, 199  
CPC ..... F41J 1/10; F41J 5/14; F41J 1/00;  
F41J 3/0004  
See application file for complete search history.

(56) **References Cited**

**U.S. PATENT DOCUMENTS**

3,415,519 A \* 12/1968 Hand ..... F41J 1/10  
248/170  
D464,703 S \* 10/2002 McIntosh ..... D22/113

D647,994 S \* 11/2011 Goodman ..... D22/113  
D735,833 S \* 8/2015 Winstead ..... D22/113  
D752,173 S \* 3/2016 Linder ..... D22/113

\* cited by examiner

*Primary Examiner* — Michael A Pratt

(74) *Attorney, Agent, or Firm* — Buchanan Nipper

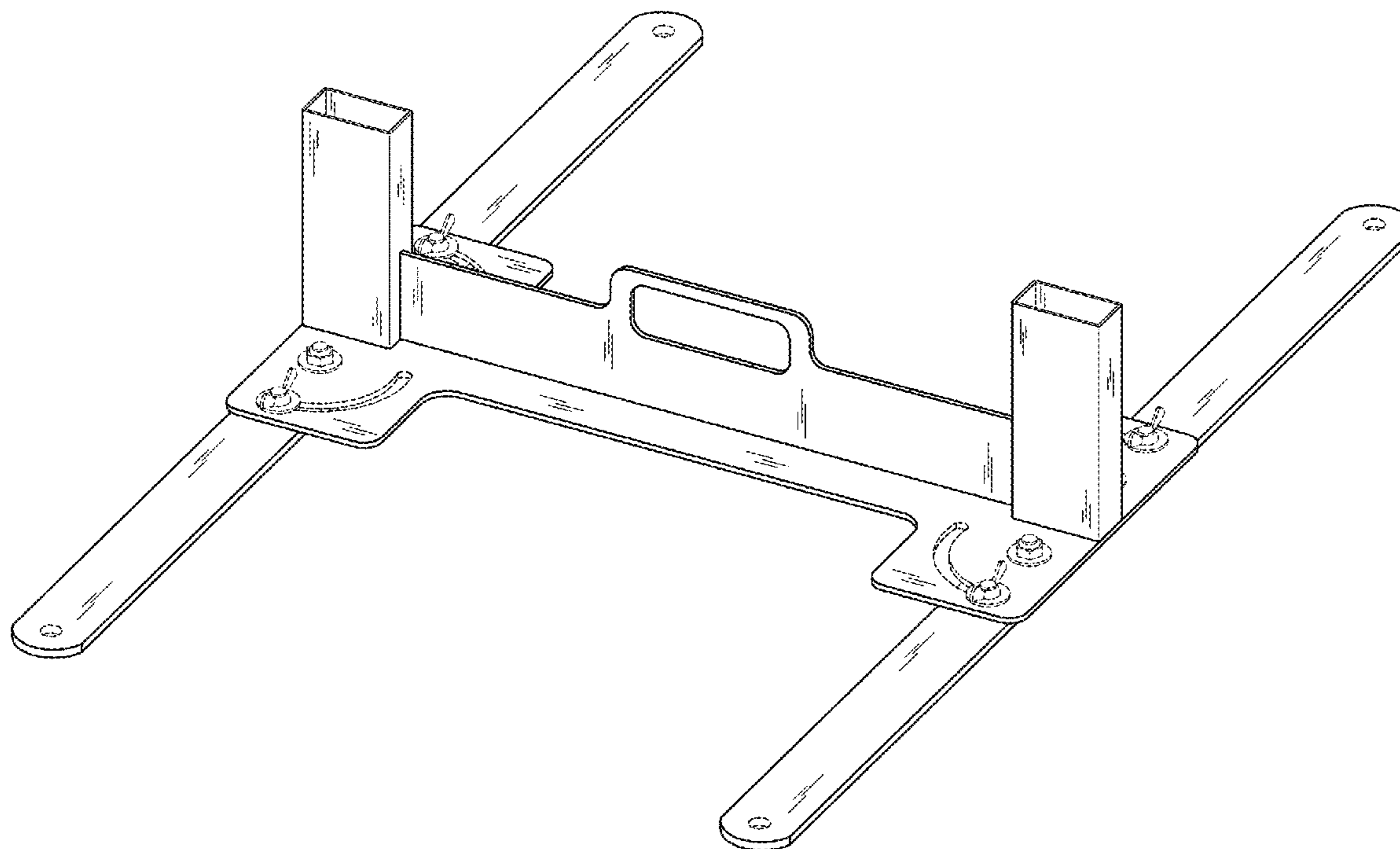
(57) **CLAIM**

I claim the ornamental design for a target stand, as shown and described.

**DESCRIPTION**

FIG. 1 is a front, left side perspective view of a target stand showing my design;  
FIG. 2 is a front elevation view thereof, it being understood that the opposite side is a mirror image of that shown;  
FIG. 3 is a left side elevation view thereof, it being understood that the opposite side is a mirror image of that shown;  
FIG. 4 is a top plan view thereof; and,  
FIG. 5 is a bottom plan view thereof.  
The broken lines shown represent unclaimed subject matter and form no part of the claimed design.

**1 Claim, 4 Drawing Sheets**



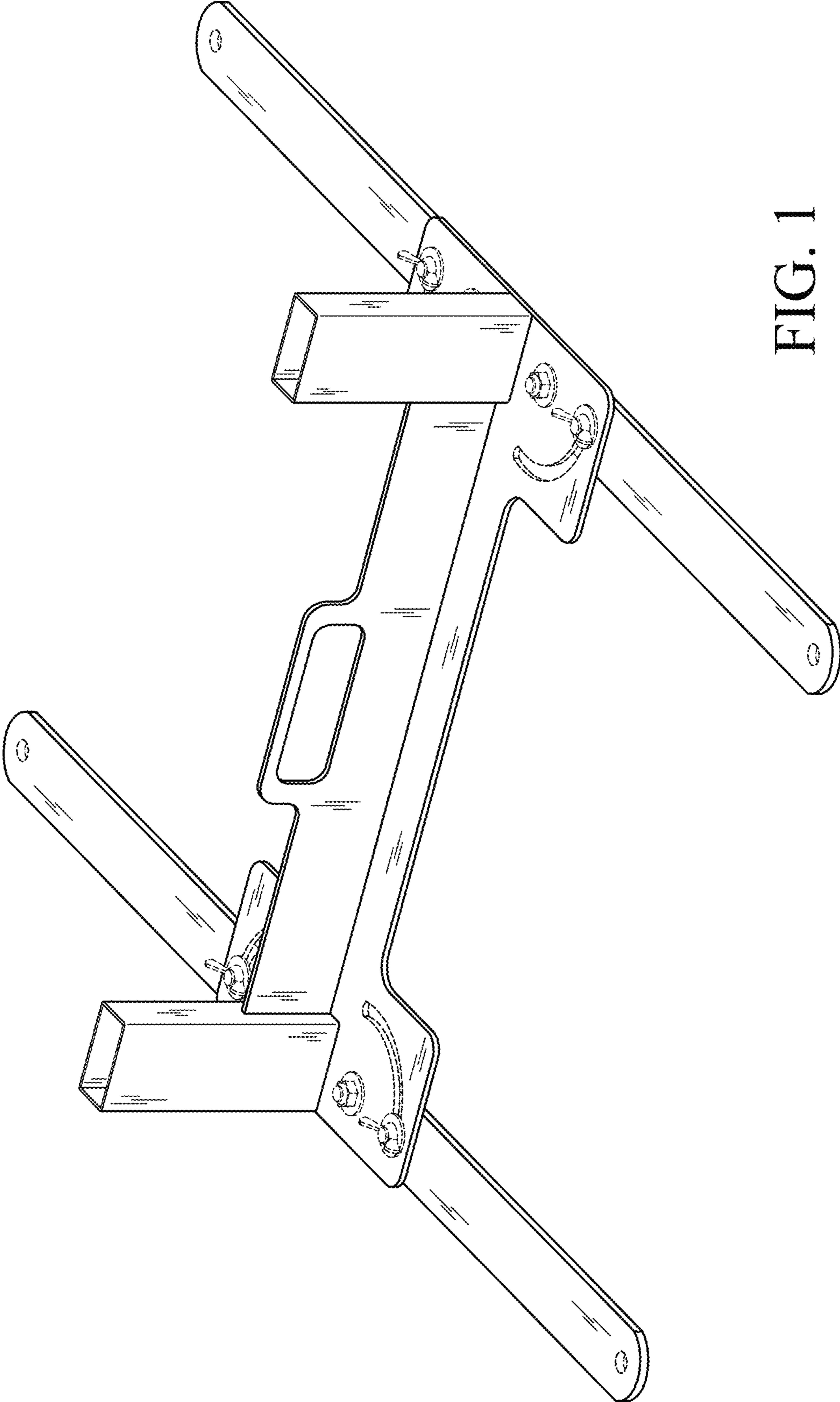


FIG. 1

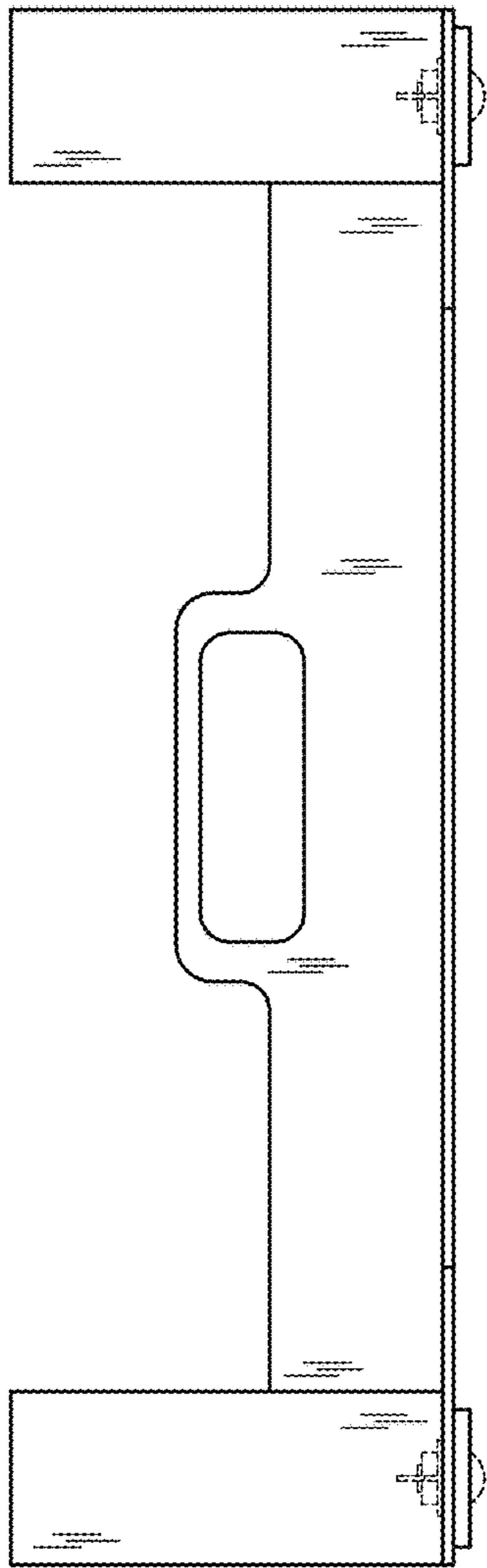


FIG. 2

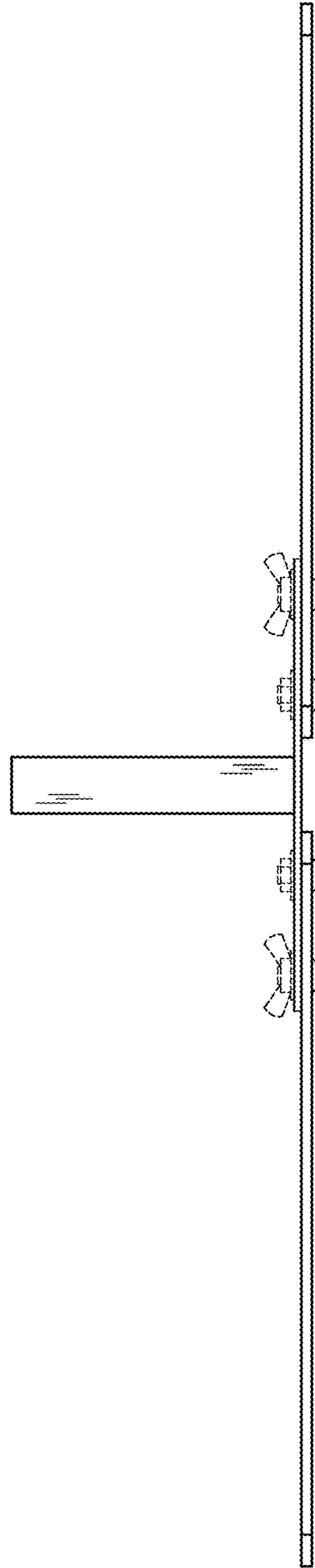


FIG. 3

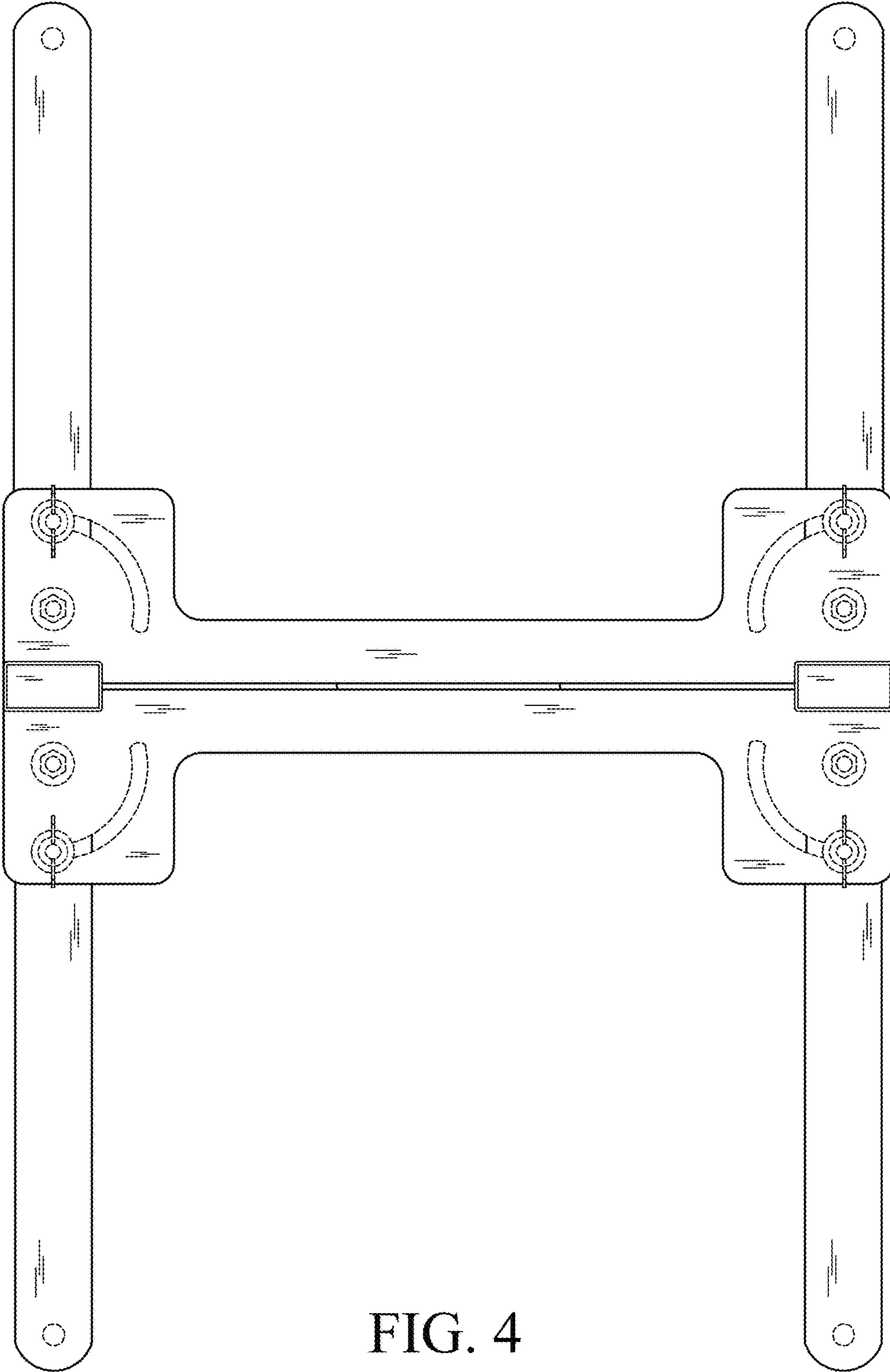


FIG. 4

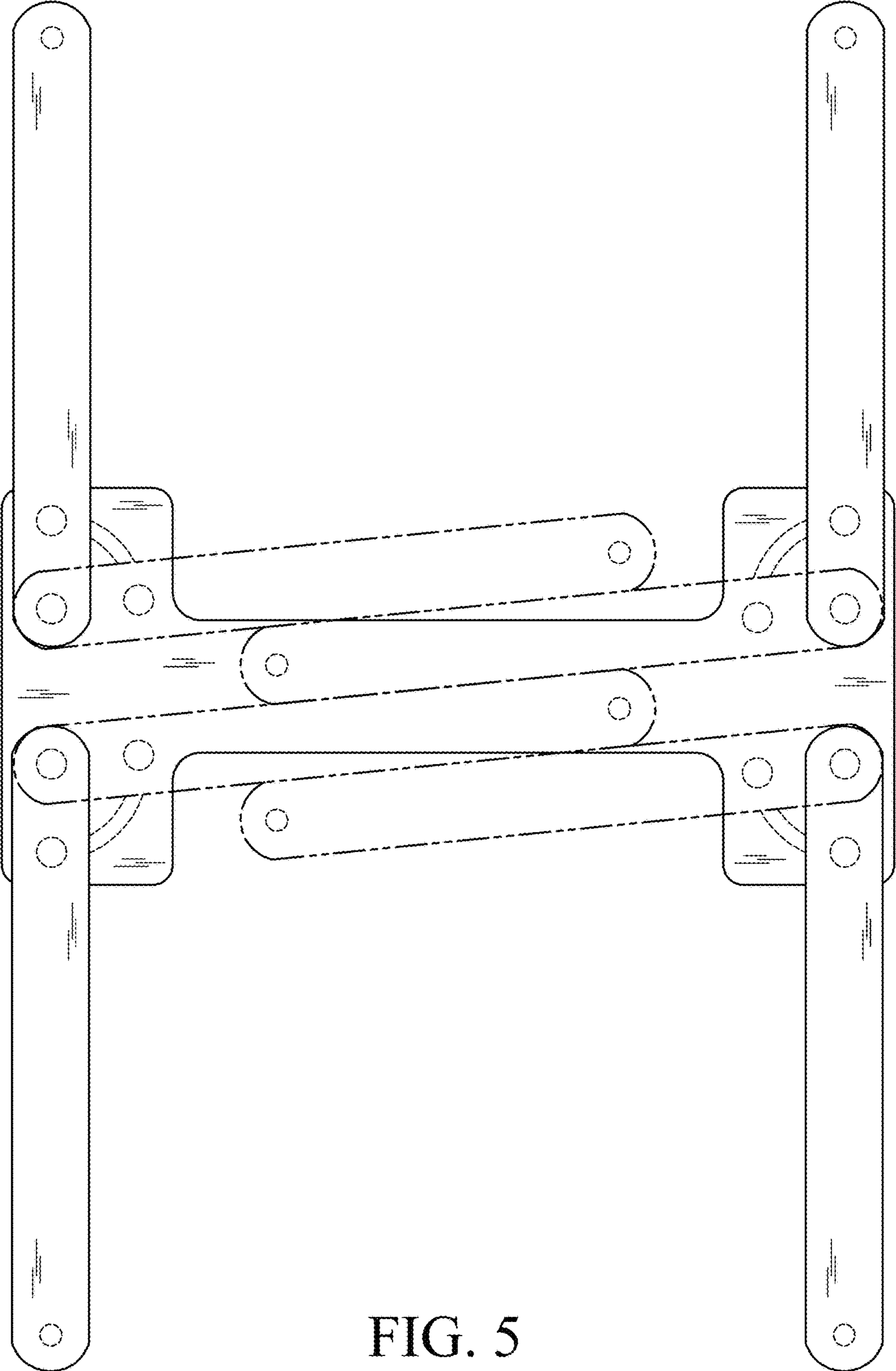


FIG. 5