



US00D773005S

(12) **United States Design Patent** (10) **Patent No.:** **US D773,005 S**
Ding et al. (45) **Date of Patent:** **** Nov. 29, 2016**

(54) **FIREARM STOCK**
(71) Applicant: **Leapers, Inc.**, Livonia, MI (US)
(72) Inventors: **Tai-Lai Ding**, Northville, MI (US); **Tat Shing Yu**, Plymouth, MI (US)
(73) Assignee: **Leapers, Inc.**, Livonia, MI (US)
(**) Term: **15 Years**

D661,366 S * 6/2012 Zusman D22/108
D668,311 S * 10/2012 Rogers D22/108
8,341,868 B2 * 1/2013 Zusman F41C 23/22
42/73
D676,921 S * 2/2013 Fitzpatrick D22/108
D683,808 S * 6/2013 Elkaim D22/108
D688,768 S * 8/2013 Fitzpatrick D22/108
D691,234 S * 10/2013 Fitzpatrick D22/108
D692,087 S * 10/2013 Fitzpatrick D22/108
D697,162 S * 1/2014 Faifer D22/108

(Continued)

(21) Appl. No.: **29/548,809**
(22) Filed: **Dec. 16, 2015**
(51) **LOC (10) Cl.** **22-01**
(52) **U.S. Cl.**
USPC **D22/108**
(58) **Field of Classification Search**
USPC D22/103, 100, 101, 104, 105, 108-111;
D21/572-575, 333, 401, 461, 567,
D21/568; 124/16, 26, 27, 28, 29, 54, 73-77;
222/78, 79; 42/51, 54, 57, 58, 71.01,
42/72, 73, 74, 75.03, 90; 446/23, 182,
446/192, 401, 403, 405-407, 473, 475
CPC F41C 23/00; F41C 23/02; F41C 23/04;
F41C 23/06; F41C 23/08; F41C 23/10;
F41C 23/12; F41C 23/14; F41C 23/16;
F41C 23/18; F41C 23/20; F41C 23/22;
F41C 7/02; F41C 7/04; F41C 7/06; F41C
7/11
See application file for complete search history.

OTHER PUBLICATIONS

UTG Pro Model 4 Ops Ready S3 Mil-Spec Stock-Black Stock Only, Leapers website, [online], [site visited Sep. 28, 2016]. <URL: https://www.leapers.com/prod_detail.php?mitem=Accessories and Parts&itemno=RBUS3BMS>.*

(Continued)

Primary Examiner — T. Chase Nelson
Assistant Examiner — Jonathan J Han
(74) *Attorney, Agent, or Firm* — Honigman Miller Schwartz and Cohn LLP

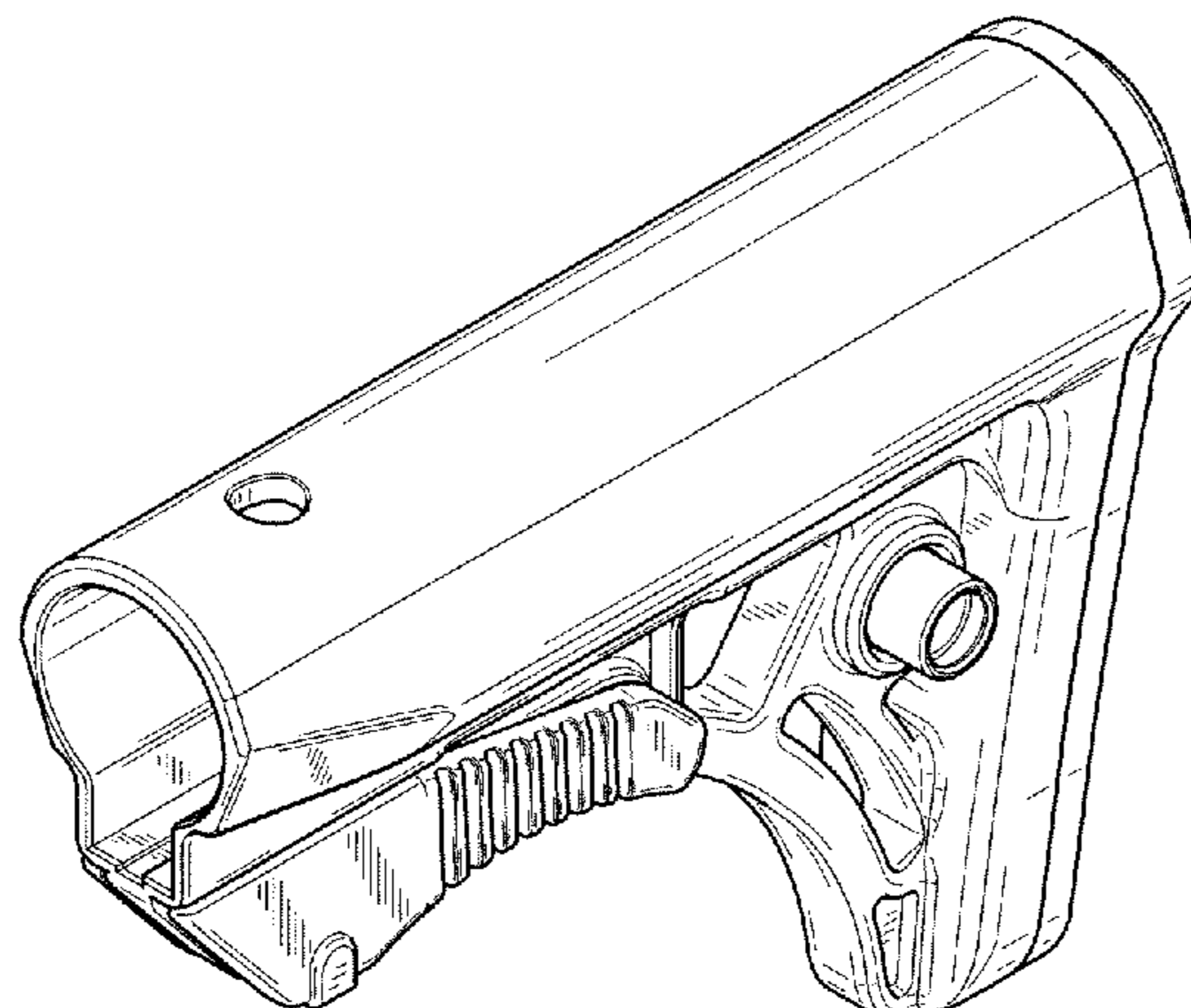
(57) **CLAIM**
The ornamental design for a firearm stock, as shown and described.

DESCRIPTION

FIG. 1 is a front/right side isometric view of the firearm stock;
FIG. 2 is a front elevational view of the firearm stock;
FIG. 3 is a rear elevational view of the firearm stock;
FIG. 4 is a right side elevational view of the firearm stock;
FIG. 5 is a left side elevational view of the firearm stock;
FIG. 6 is a top plan view of the firearm stock; and,
FIG. 7 is a bottom view of the firearm stock.

1 Claim, 4 Drawing Sheets

(56) **References Cited**
U.S. PATENT DOCUMENTS
D600,308 S * 9/2009 Fitzpatrick D22/109
D620,067 S * 7/2010 Saur D22/108
7,762,018 B1 * 7/2010 Fitzpatrick F41A 11/02
42/73
D636,833 S * 4/2011 Mayberry D22/108
D640,342 S * 6/2011 Fitzpatrick D22/108



(56)

References Cited

U.S. PATENT DOCUMENTS

8,726,558 B1 * 5/2014 Nason F41C 23/16
42/71.01
D706,879 S * 6/2014 Chu D21/573
D722,357 S * 2/2015 Keller D22/108
D722,669 S * 2/2015 Keller D22/108
D724,168 S * 3/2015 Alis D22/103
D725,219 S * 3/2015 Hirt D22/108
8,978,284 B1 * 3/2015 Zusman F41C 23/14
42/1.06
D728,057 S * 4/2015 Daniel D22/108
D731,023 S * 6/2015 Hirt D22/108
D736,336 S * 8/2015 Mayberry D22/108
D738,981 S * 9/2015 Zusman D22/108
D744,048 S * 11/2015 Chu D21/573
D745,622 S * 12/2015 Zusman D22/108
D747,427 S * 1/2016 Zusman D22/108
9,261,324 B1 * 2/2016 Liang F41C 23/04
9,279,640 B1 * 3/2016 Hurley F41C 23/22
D760,326 S * 6/2016 Chu D21/573
9,404,708 B1 * 8/2016 Chow F41C 23/14
2009/0255161 A1 * 10/2009 Fitzpatrick F41C 27/00
42/90
2010/0115817 A1 * 5/2010 Faifer F41C 23/06
42/71.01
2010/0229444 A1 * 9/2010 Faifer F41C 23/04
42/1.06

2010/0242333 A1 * 9/2010 Kincel F41C 23/04
42/73
2010/0242334 A1 * 9/2010 Kincel F41C 23/04
42/74
2011/0173863 A1 * 7/2011 Ingram F41A 11/00
42/73
2012/0180359 A1 * 7/2012 Fitzpatrick F41C 23/16
42/71.01

OTHER PUBLICATIONS

Model 4 Combat Ops Ready 6 Position Stock, User Manual, Downloaded from Leapers.com, [no publishing date], [downloaded from Leapers.com on Sep. 28, 2016]. <URL: <https://www.leapers.com/catalog.php>>.*
365 FAB Tactical M4 Combat Stock(BK), 365 Airsoft, [online], [site visited Sep. 28, 2016]. <URL: <http://www.365airsoftshop.com/365-fab-tactical-m4-combat-stockbk-p-1042.html>>.*
MAG370, Magpul.com, [online], [site visited Sep. 28, 2016]. <URL: <https://www.magpul.com/products/acs-carbine-stock-mil-spec>>.*
MIL-SPEC AR-15 Stock—by Trinity Force, ar15goa.com, [online], [site visited Sep. 28, 2016]. <URL: <https://www.ar15goa.com/shop/buttstocks-parts/mil-spec-stock-by-trinity-force/>>.*

* cited by examiner

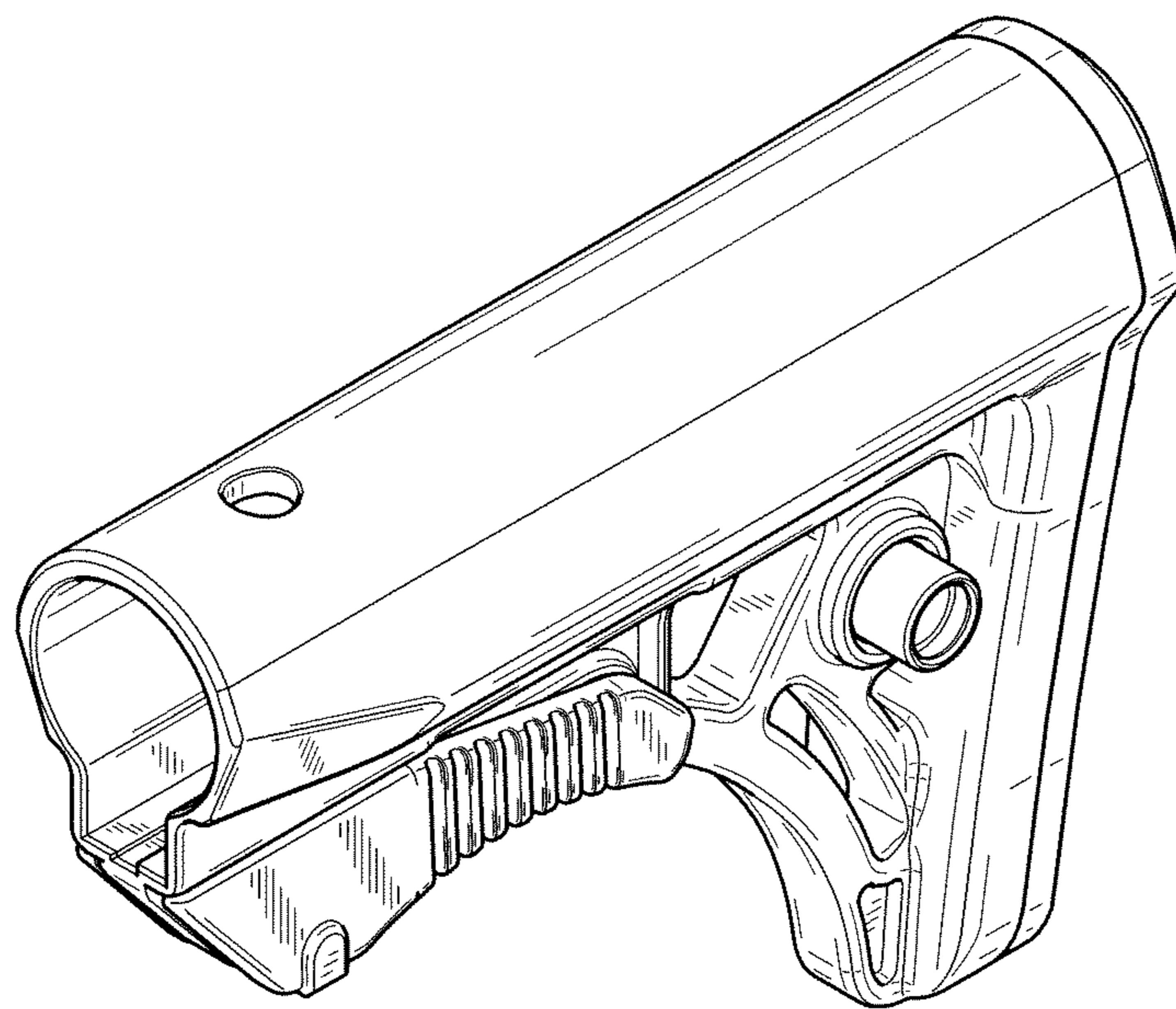


FIG. 1

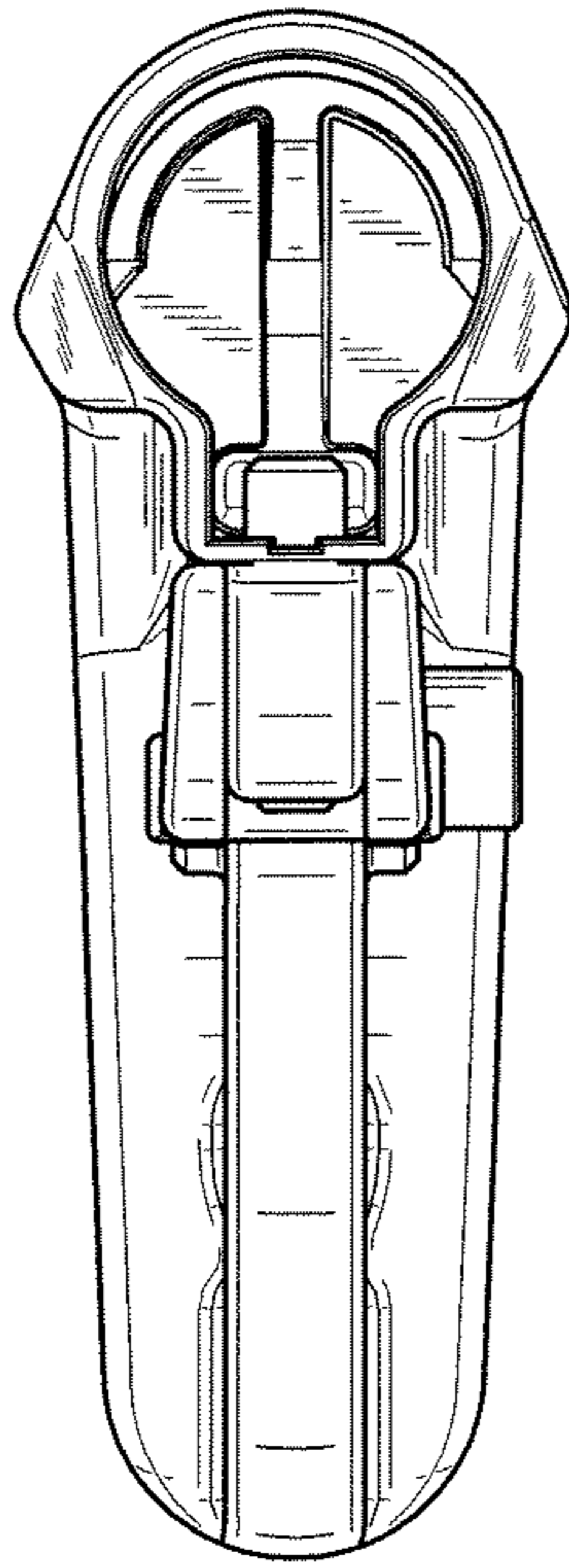


FIG. 2

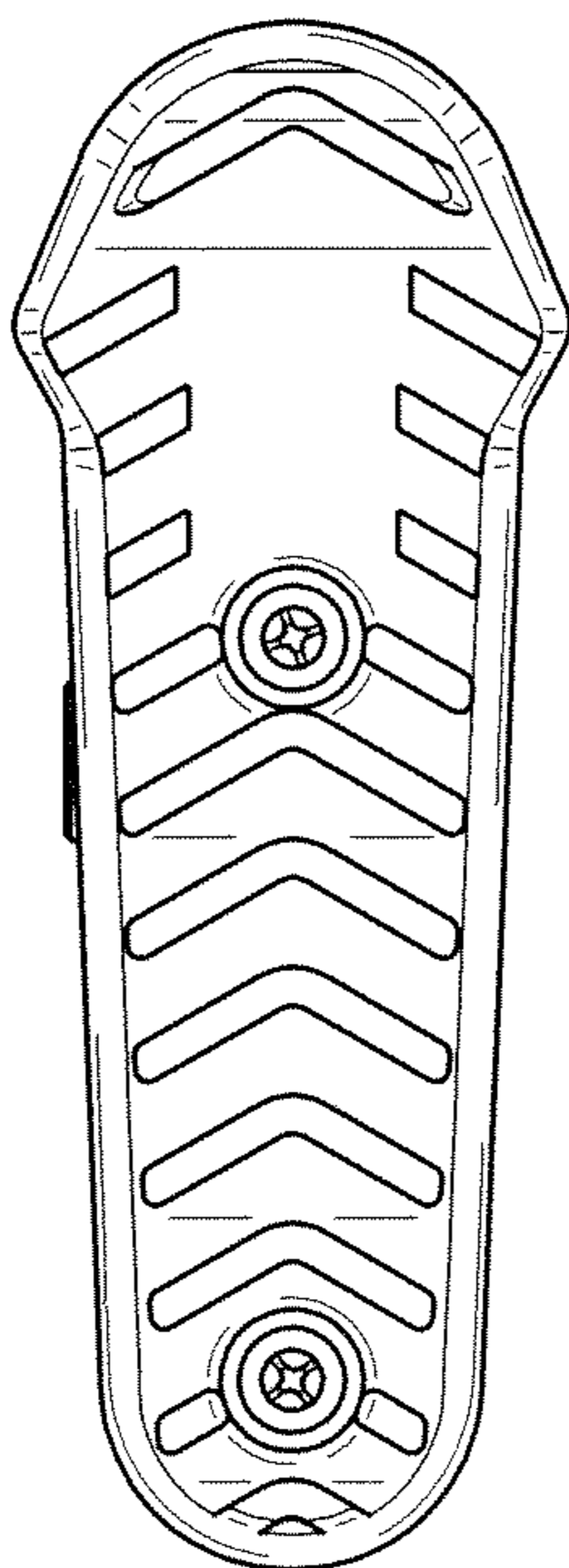


FIG. 3

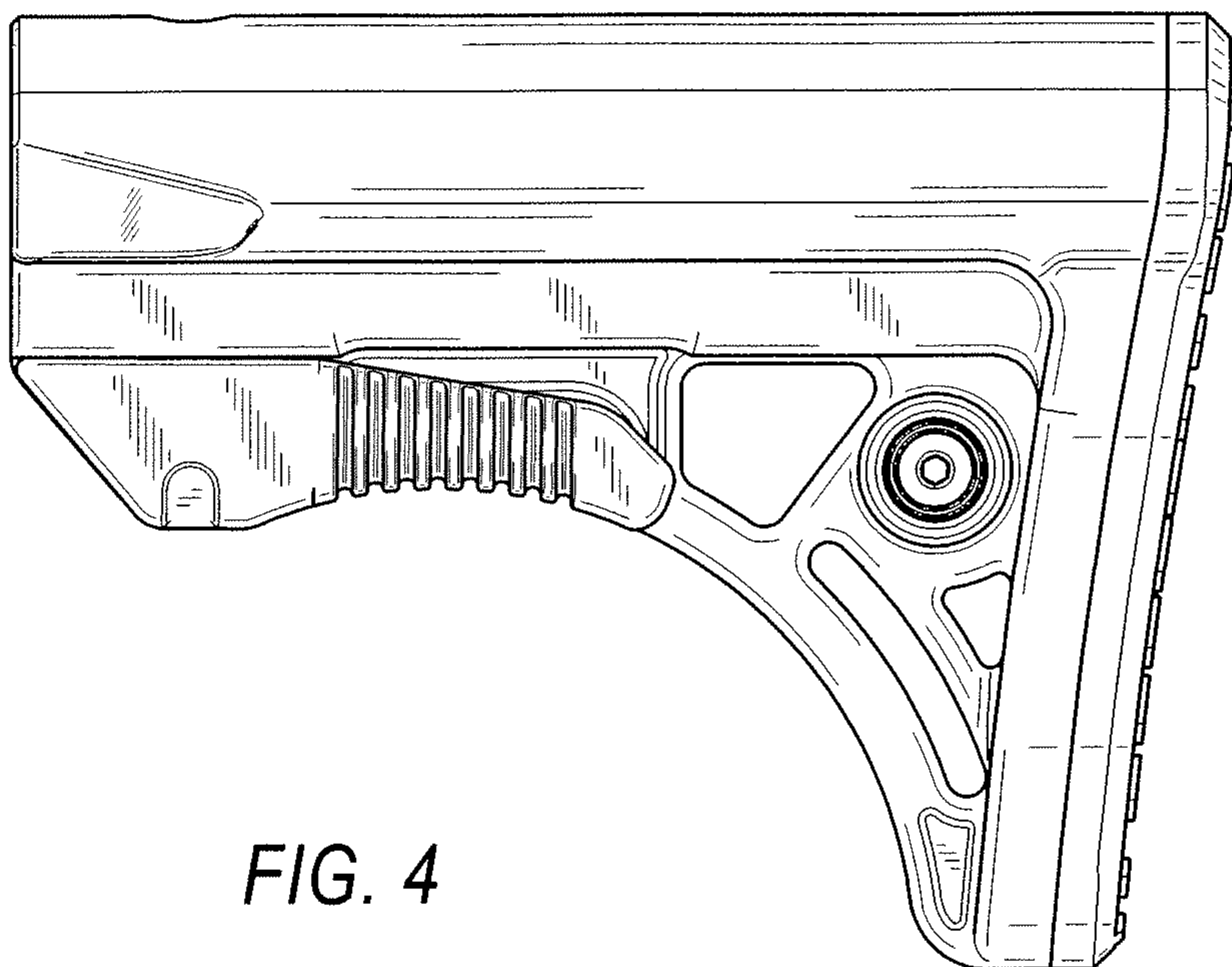


FIG. 4

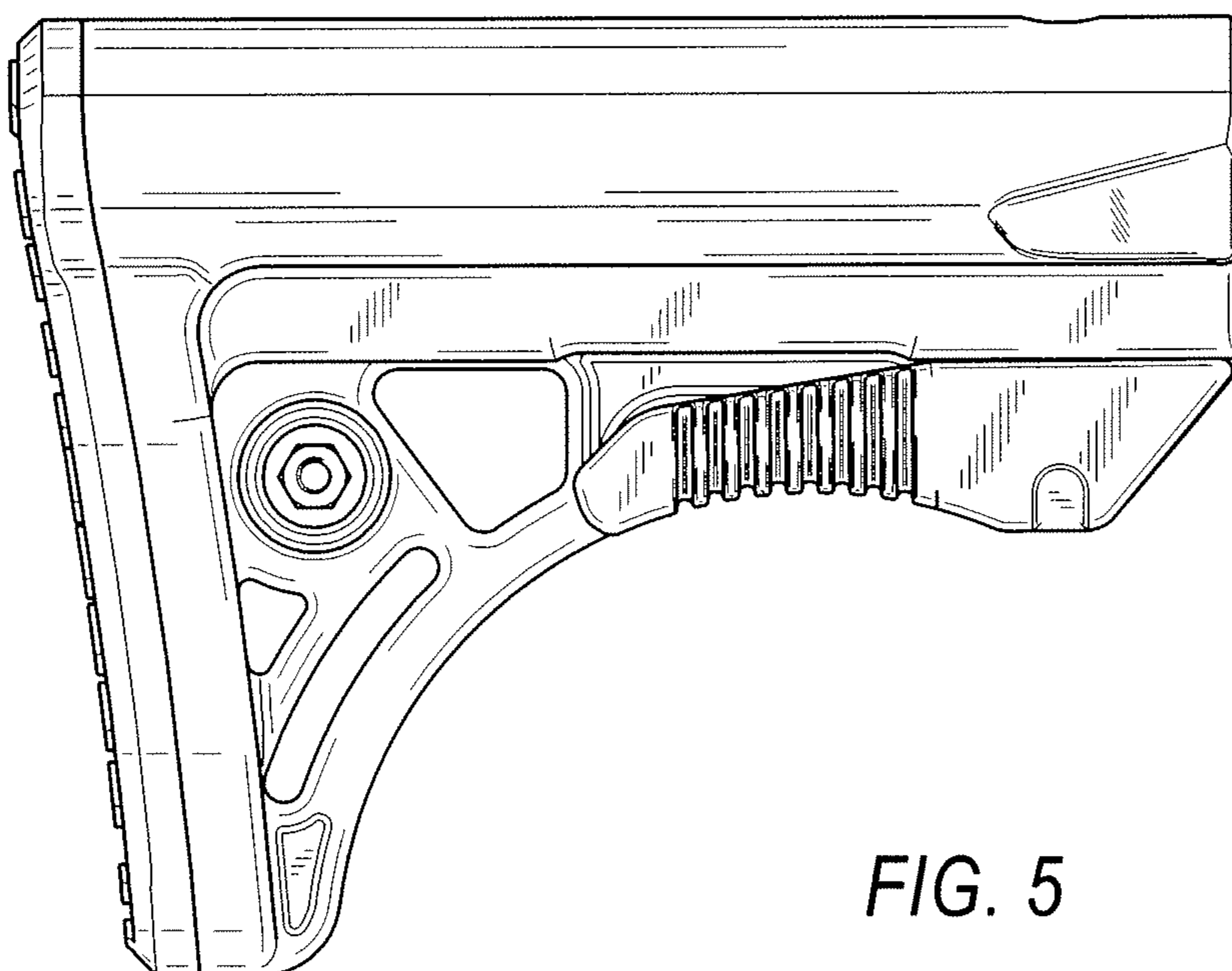


FIG. 5

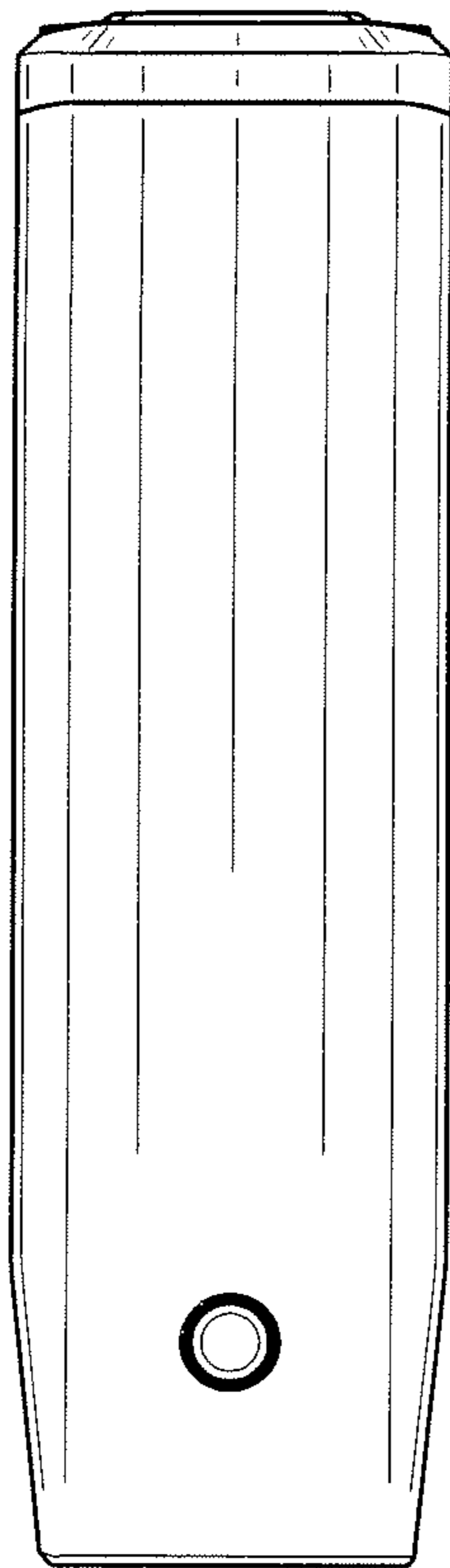


FIG. 6

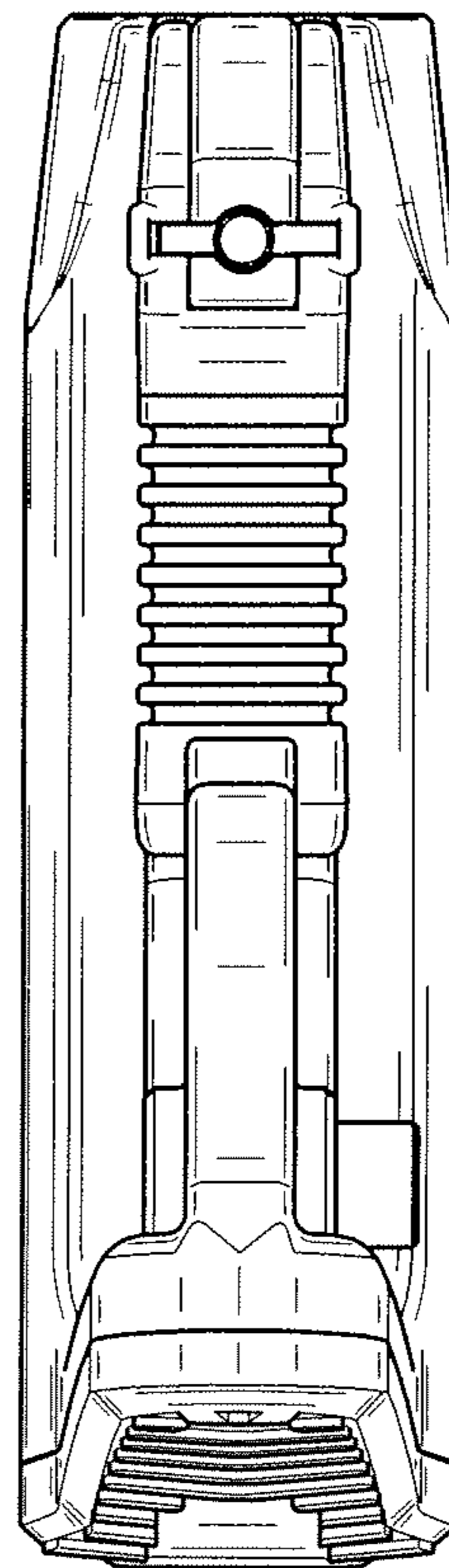


FIG. 7