



US00D773002S

(12) **United States Design Patent** (10) **Patent No.:** **US D773,002 S**
Garretson, Jr. (45) **Date of Patent:** **** Nov. 29, 2016**

- (54) **FIREARM CLEANING AND LUBRICATING DEVICE**
- (71) Applicant: **Richard L. Garretson, Jr.**, Reno, NV (US)
- (72) Inventor: **Richard L. Garretson, Jr.**, Reno, NV (US)
- (**) Term: **15 Years**
- (21) Appl. No.: **29/531,448**
- (22) Filed: **Jun. 25, 2015**
- (51) **LOC (10) Cl.** **22-01**
- (52) **U.S. Cl.**
USPC **D22/108**
- (58) **Field of Classification Search**
USPC 42/95; 102/529; D22/108, 199; D24/119; 19/145.3; 493/344, 379, 604, 493/943; 604/1
CPC F41A 29/00; F42B 14/00
See application file for complete search history.

- (56) **References Cited**
- U.S. PATENT DOCUMENTS
- | | | | |
|-----------------|---------|-----------------|---------------------|
| D282,698 S * | 2/1986 | Newton, Jr. | 15/110 |
| 5,522,795 A * | 6/1996 | Green | A61B 10/04
604/1 |
| 5,983,550 A | 11/1999 | Skaar | |
| 8,661,724 B2 | 3/2014 | Crawford | |
| 8,677,671 B2 | 3/2014 | Smith | |
| 8,800,191 B2 | 8/2014 | Williams et al. | |
| 2005/0252405 A1 | 11/2005 | Deskins | |

- 2006/0162223 A1 7/2006 Whipple
 2006/0236584 A1 10/2006 Williams
 2012/0124883 A1 5/2012 Reggio et al.

OTHER PUBLICATIONS

For Sale By Inventor—YouTube, Richard L Garretson Jr Firearm Cleaning and Lubricating Device, Dec. 30, 2015, [site visited Aug. 3, 2016], Available on the Internet URL:<<https://www.youtube.com/watch?v=eDRH89zMXyk>>.*

* cited by examiner

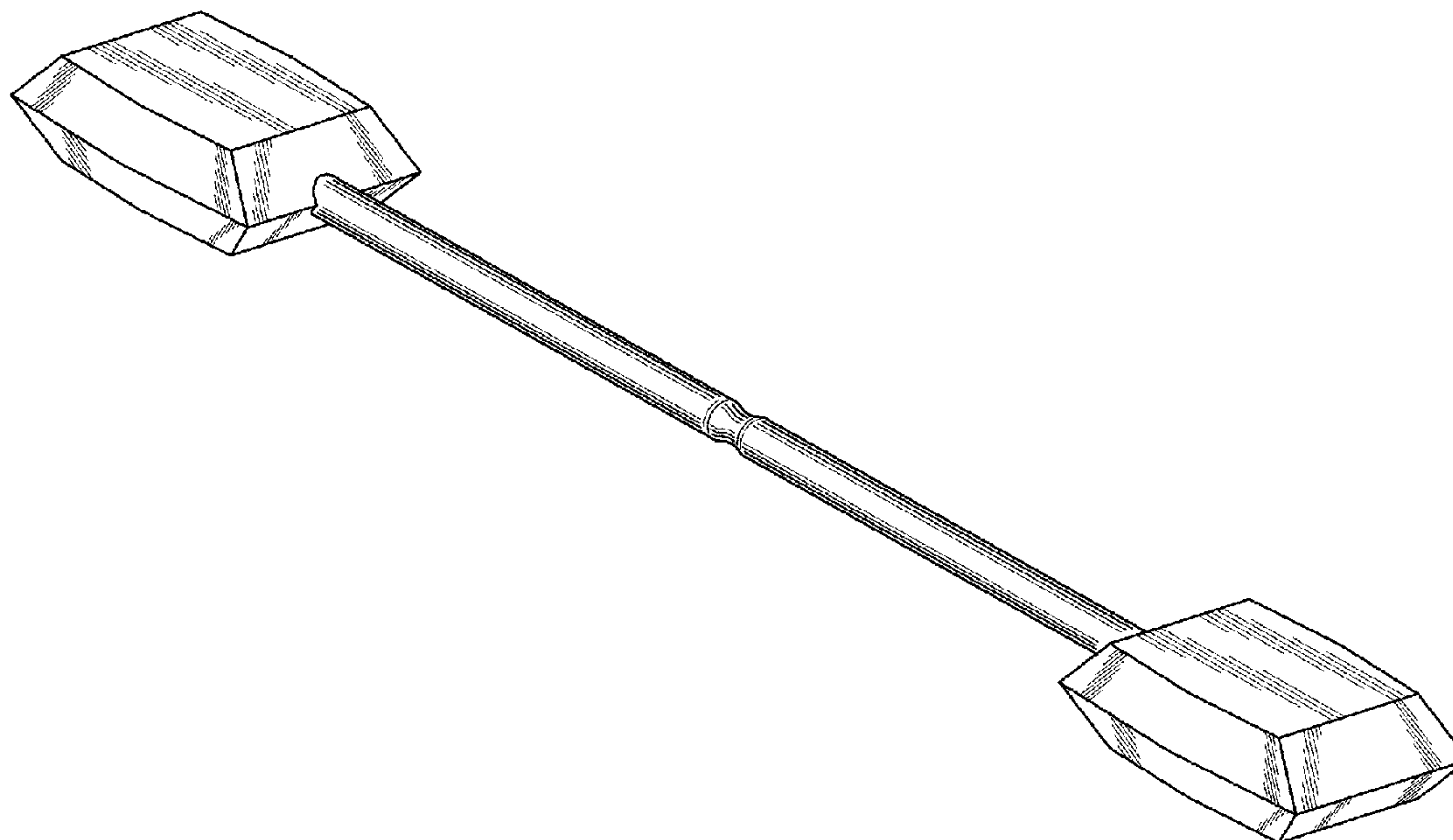
Primary Examiner — Susan Bennett Hattan
Assistant Examiner — S. Bryan Reinholdt, Jr.
 (74) *Attorney, Agent, or Firm* — Robert C. Montgomery; Montgomery Patent & Design, LP

(57) **CLAIM**
 The ornamental design for a firearm cleaning and lubricating device, as shown and described.

DESCRIPTION

FIG. 1 is a perspective front disassembled view of the firearm cleaning and lubricating device, showing my new design;
 FIG. 2 is a perspective back disassembled view thereof;
 FIG. 3 is a perspective front assembled view of the firearm cleaning and lubricating device;
 FIG. 4 is a front side view with the back side view being a mirror image thereof;
 FIG. 5 is a left side view with the right side view being a mirror image thereof; and,
 FIG. 6 is a top side view with the bottom side view being a mirror image thereof.

1 Claim, 5 Drawing Sheets



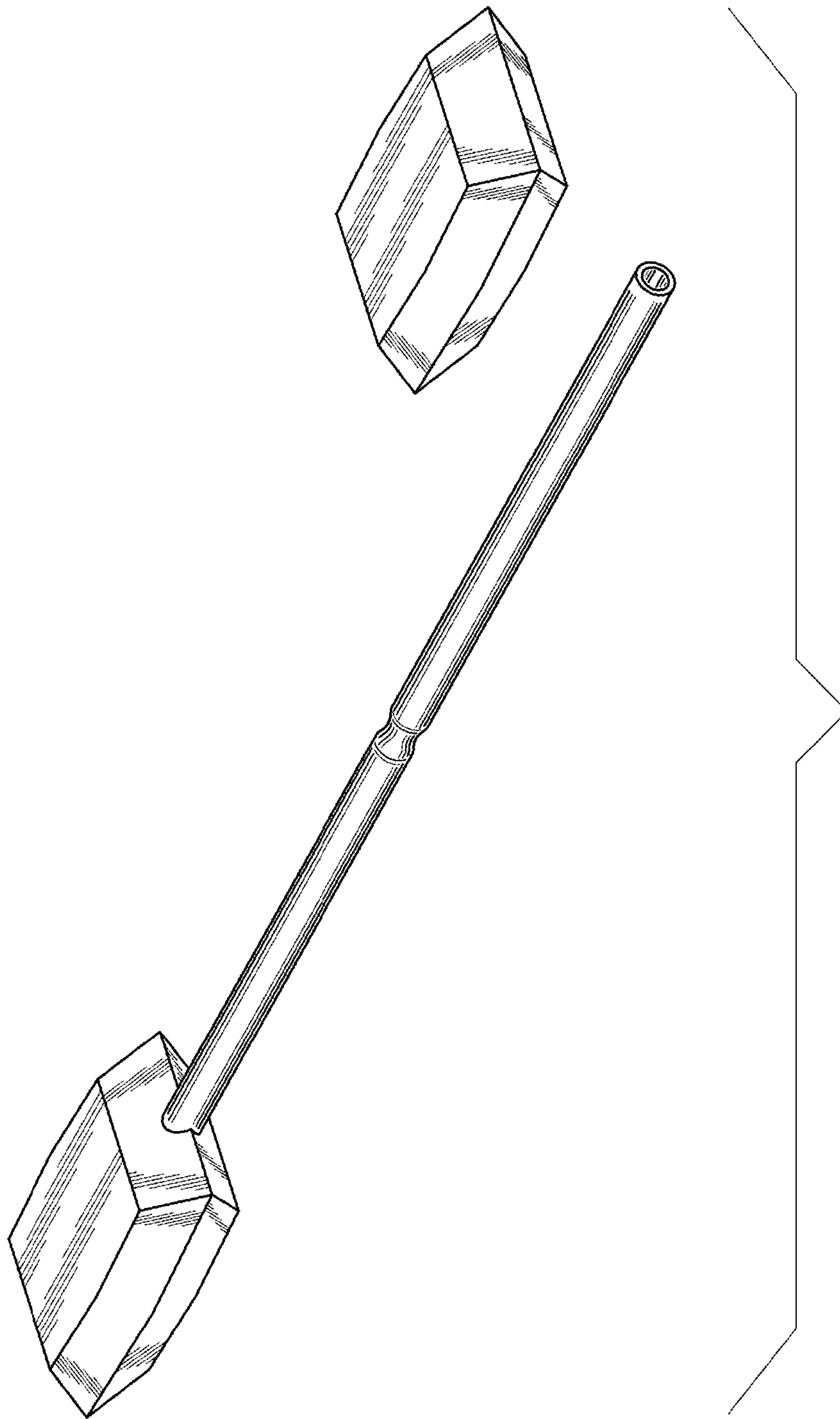


FIG. 1

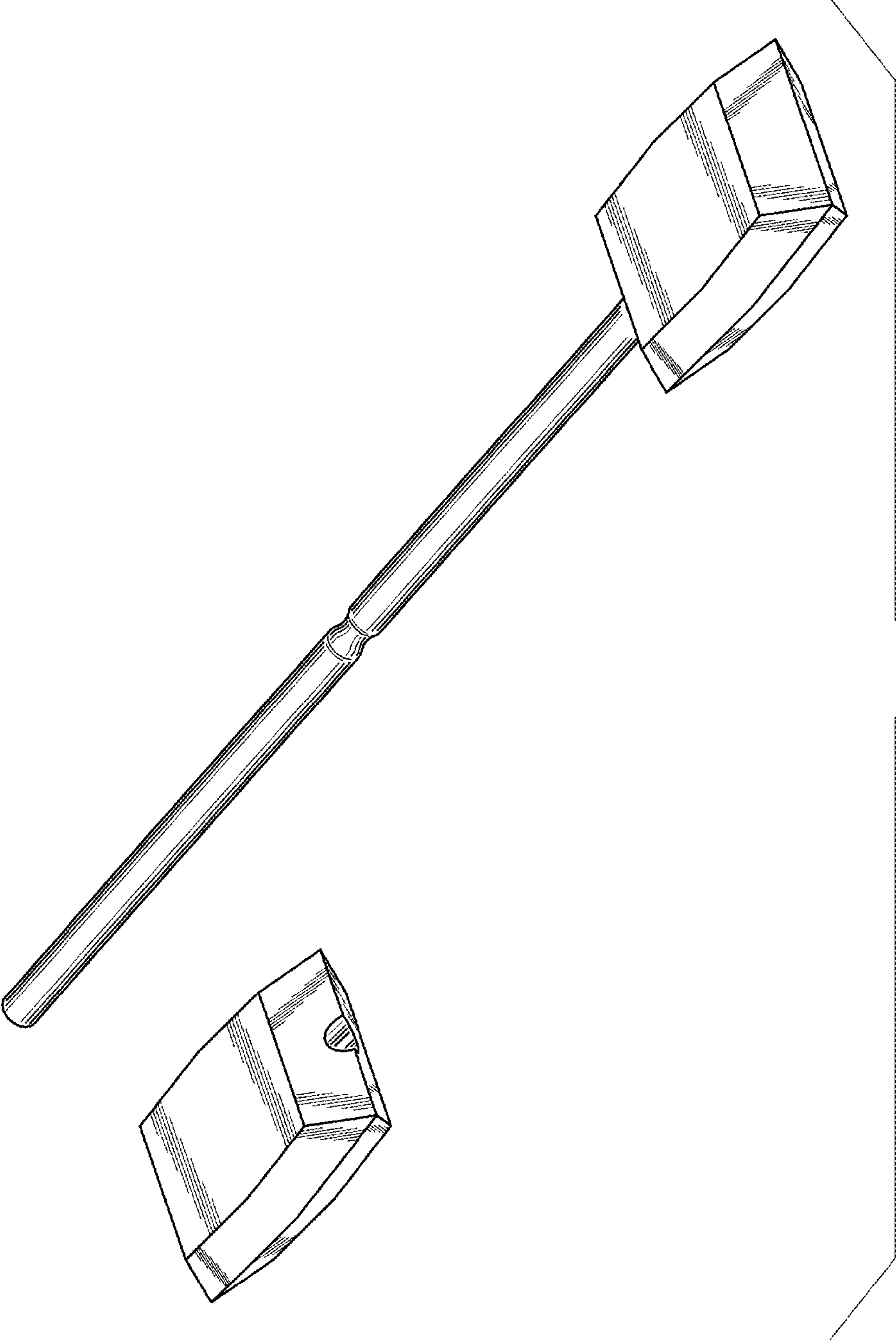


FIG. 2

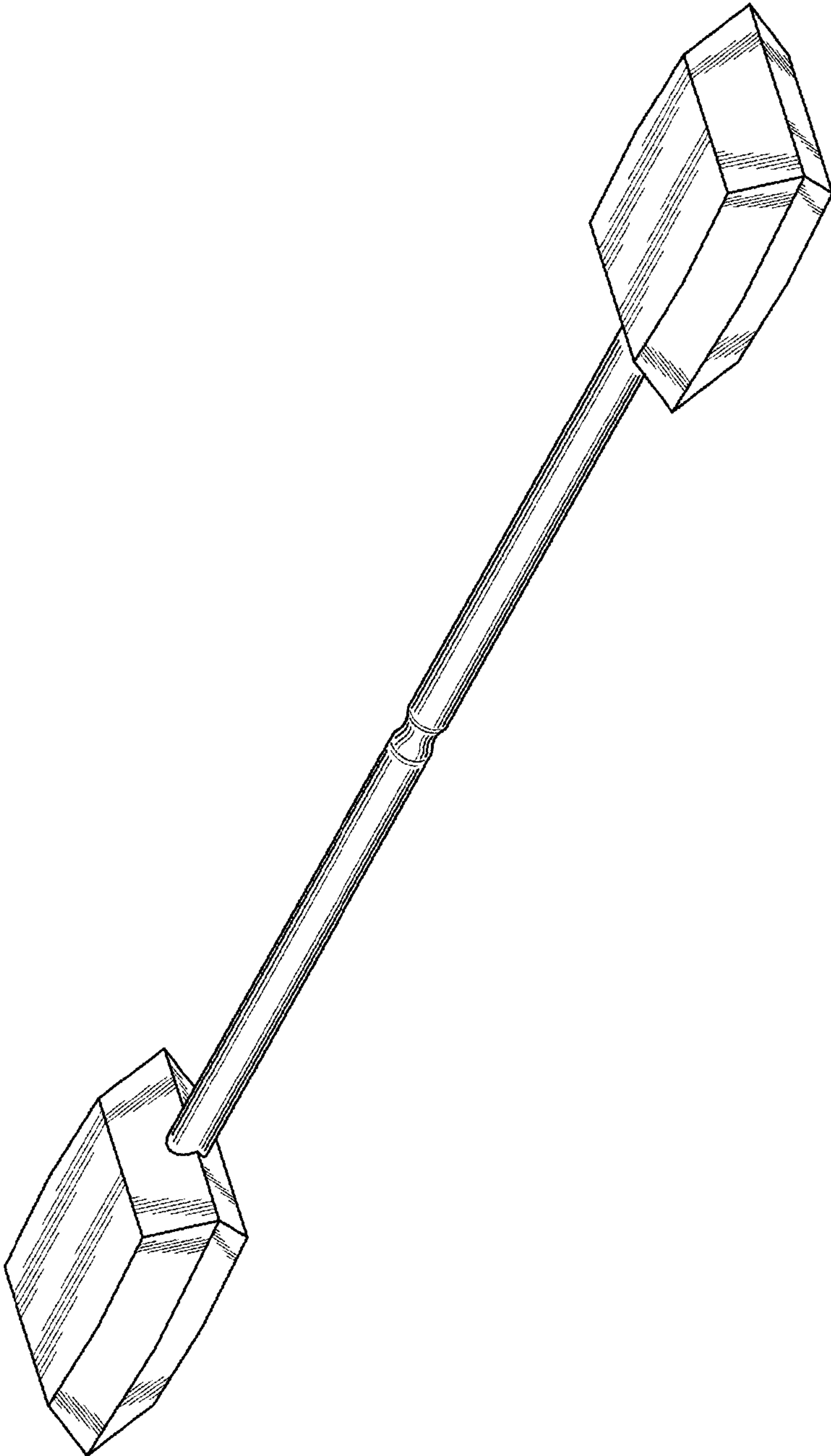


FIG. 3

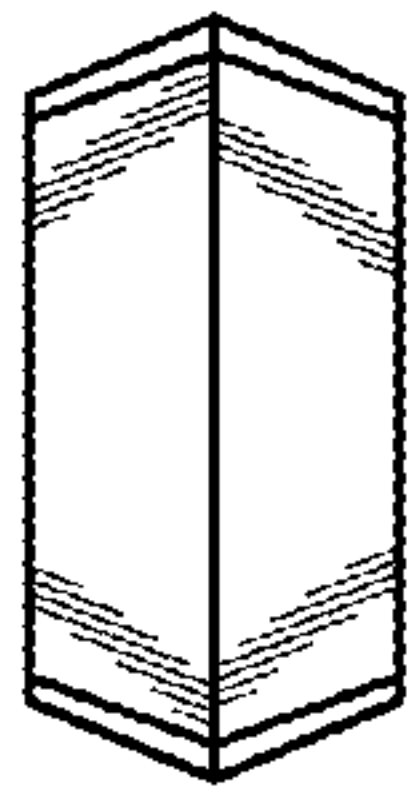


FIG. 4

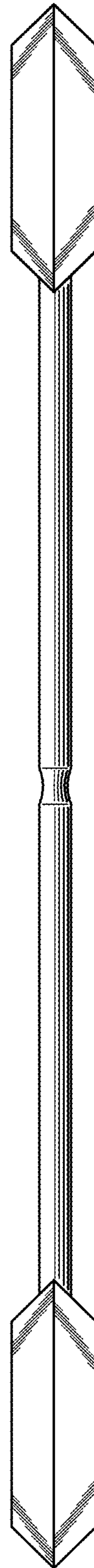


FIG. 5

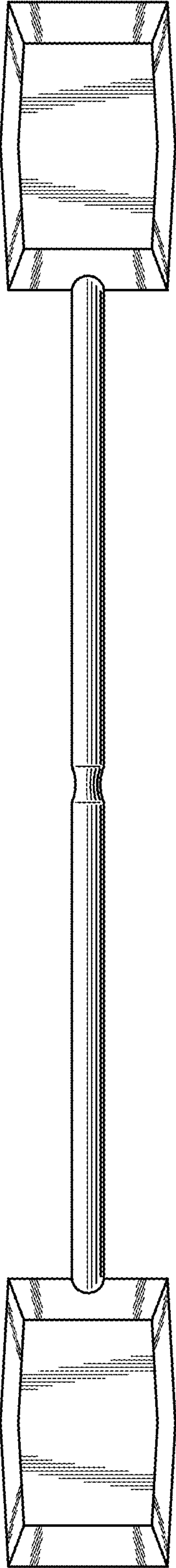


FIG. 6