



US00D773000S

(12) **United States Design Patent** (10) **Patent No.:** **US D773,000 S**  
**Sokolovs** (45) **Date of Patent:** **\*\* Nov. 29, 2016**

(54) **COMBINATION GUN REST AND SHOULDER STRAP**

(74) *Attorney, Agent, or Firm* — Nadya Reingand

(71) Applicant: **Vjaceslavs Sokolovs**, Riga (LV)

(57) **CLAIM**

(72) Inventor: **Vjaceslavs Sokolovs**, Riga (LV)

The ornamental design for a combination gun rest and shoulder strap, as shown and described.

(\*\*) Term: **14 Years**

(21) Appl. No.: **29/524,306**

**DESCRIPTION**

(22) Filed: **Apr. 20, 2015**

(51) **LOC (10) Cl.** ..... **22-01**

(52) **U.S. Cl.**  
USPC ..... **D22/108**

(58) **Field of Classification Search**  
USPC ..... D22/108–110, 114, 199; D6/368, 552  
CPC ..... F41C 27/00; B60R 7/14; B60R 5/04;  
B60R 11/00; F41A 23/10; F41A 23/18;  
F41A 17/44; F41A 23/16; F41A 29/00  
See application file for complete search history.

FIG. 1 is a front view of the gun rest illustrating the novel design.  
FIG. 2 is a top view of the gun rest of FIG. 1.  
FIG. 3 is a rear view of the gun rest of FIG. 1.  
FIG. 4 is a bottom view of the gun rest of FIG. 1.  
FIG. 5 is a left side view of the gun rest of FIG. 1.  
FIG. 6 is a right side view of the gun rest of FIG. 1.  
FIG. 7 is a front top left perspective view of the gun rest of FIG. 1.  
FIG. 8 is a rear top right perspective view of the gun rest of FIG. 1.  
FIG. 9 is a front view of the shoulder strap for the gun rest of FIG. 1.  
FIG. 10 is a rear view of the shoulder strap for the gun rest of FIG. 1.  
FIG. 11 is a front view of the gun rest of FIG. 1 and the shoulder strap in FIG. 9 as they would be used together.  
FIG. 12 is a front left perspective view of the combination gun rest of FIG. 1 and the shoulder strap of FIG. 9 as they would be used together. The broken line showings of surfaces of the claimed design represent stitching and forms a part of the claimed invention; and,  
FIG. 13 is a rear view of the combination gun rest of FIG. 1 and the shoulder strap of FIG. 9 as they would be used together showing a long gun as it would be placed in the gun rest of FIG. 1. The broken line showings of an exemplary rifle in FIG. 13 illustrates environment which does not form a part of the claimed design.

(56) **References Cited**

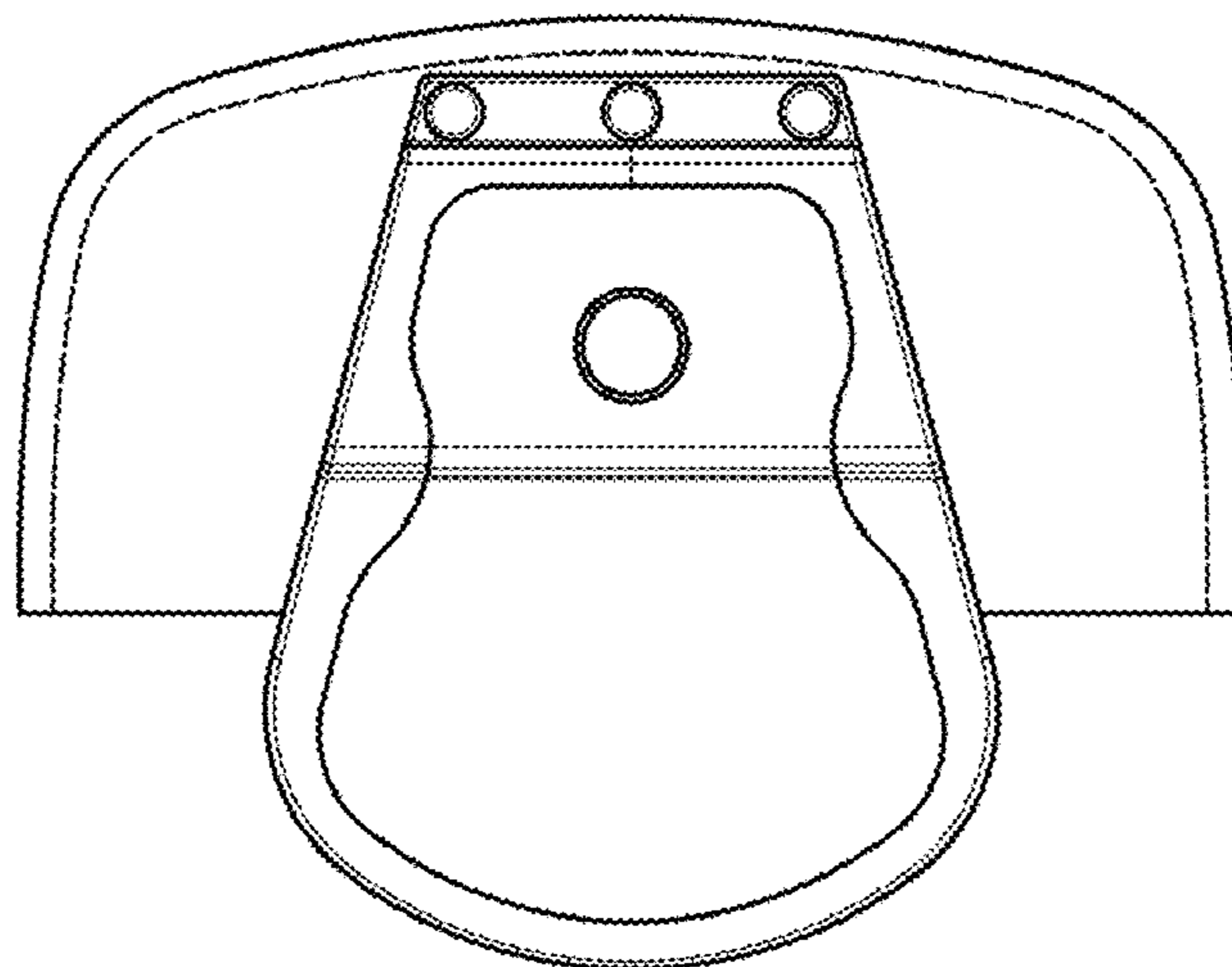
**U.S. PATENT DOCUMENTS**

- 4,898,310 A \* 2/1990 Remington ..... F41C 33/0218  
224/198
- 5,642,847 A \* 7/1997 DeMeo ..... A45F 5/00  
224/149
- 9,243,867 B2 \* 1/2016 Ponder ..... F41C 33/007
- 2002/0020723 A1 \* 2/2002 Lindsey ..... F41C 33/001  
224/150
- 2005/0155996 A1 \* 7/2005 Hiscocks ..... A47D 13/025  
224/160
- 2009/0236378 A1 \* 9/2009 Crye ..... A45F 3/14  
224/148.2
- 2011/0042427 A1 \* 2/2011 Goransson-Sonnefelt F41C 33/005  
224/149

\* cited by examiner

*Primary Examiner* — Michael A Pratt

**1 Claim, 10 Drawing Sheets**



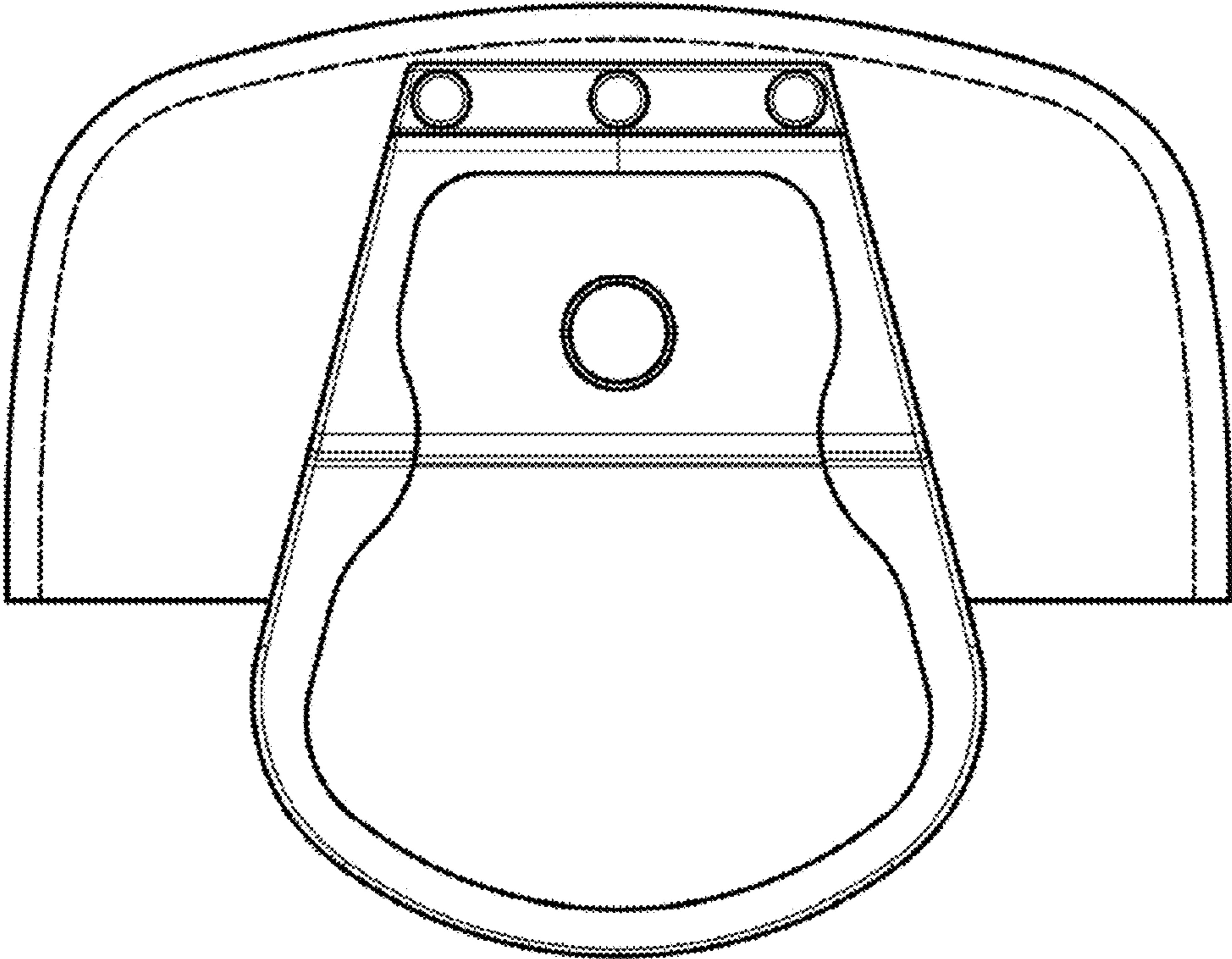


Fig.1

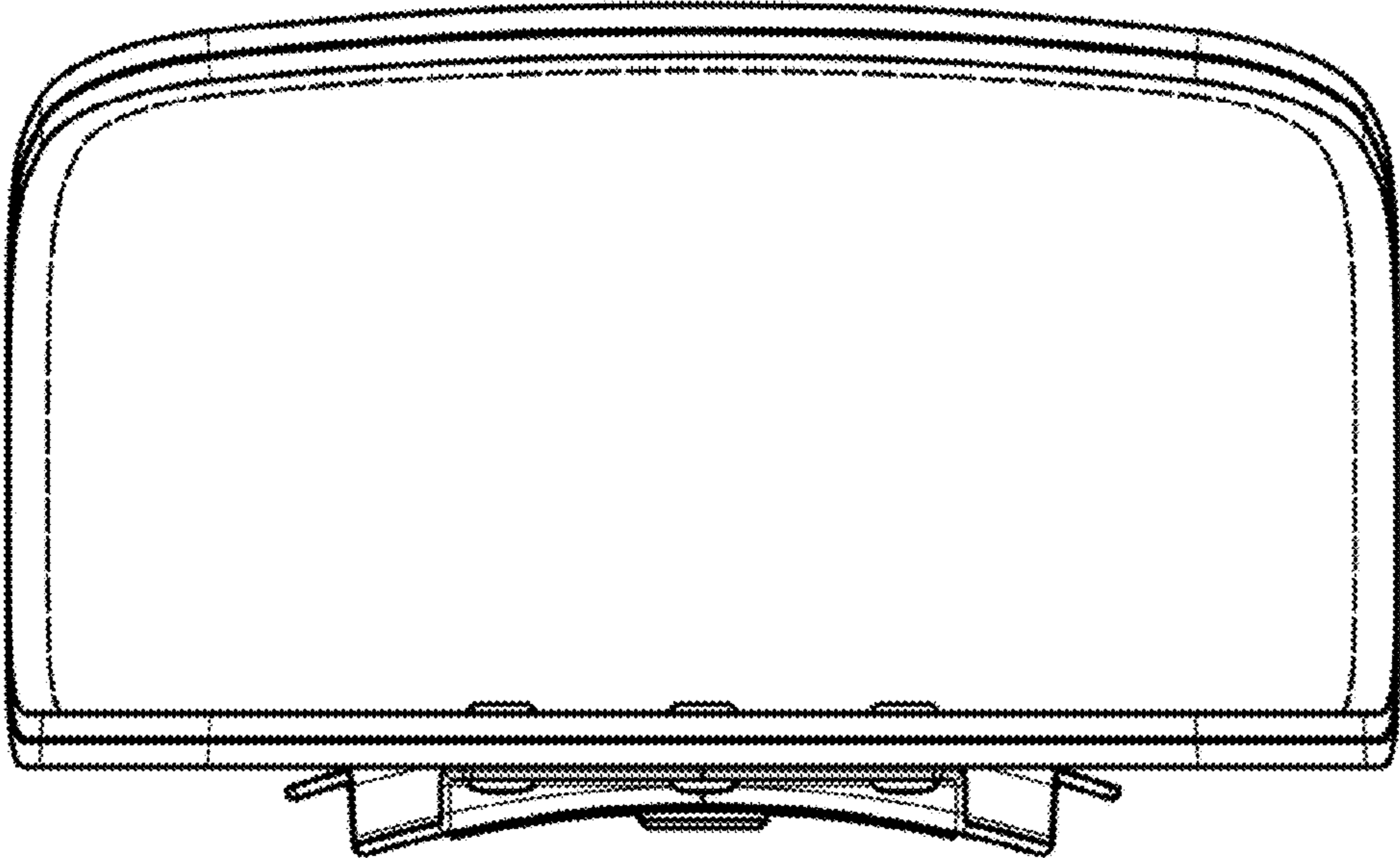


Fig.2

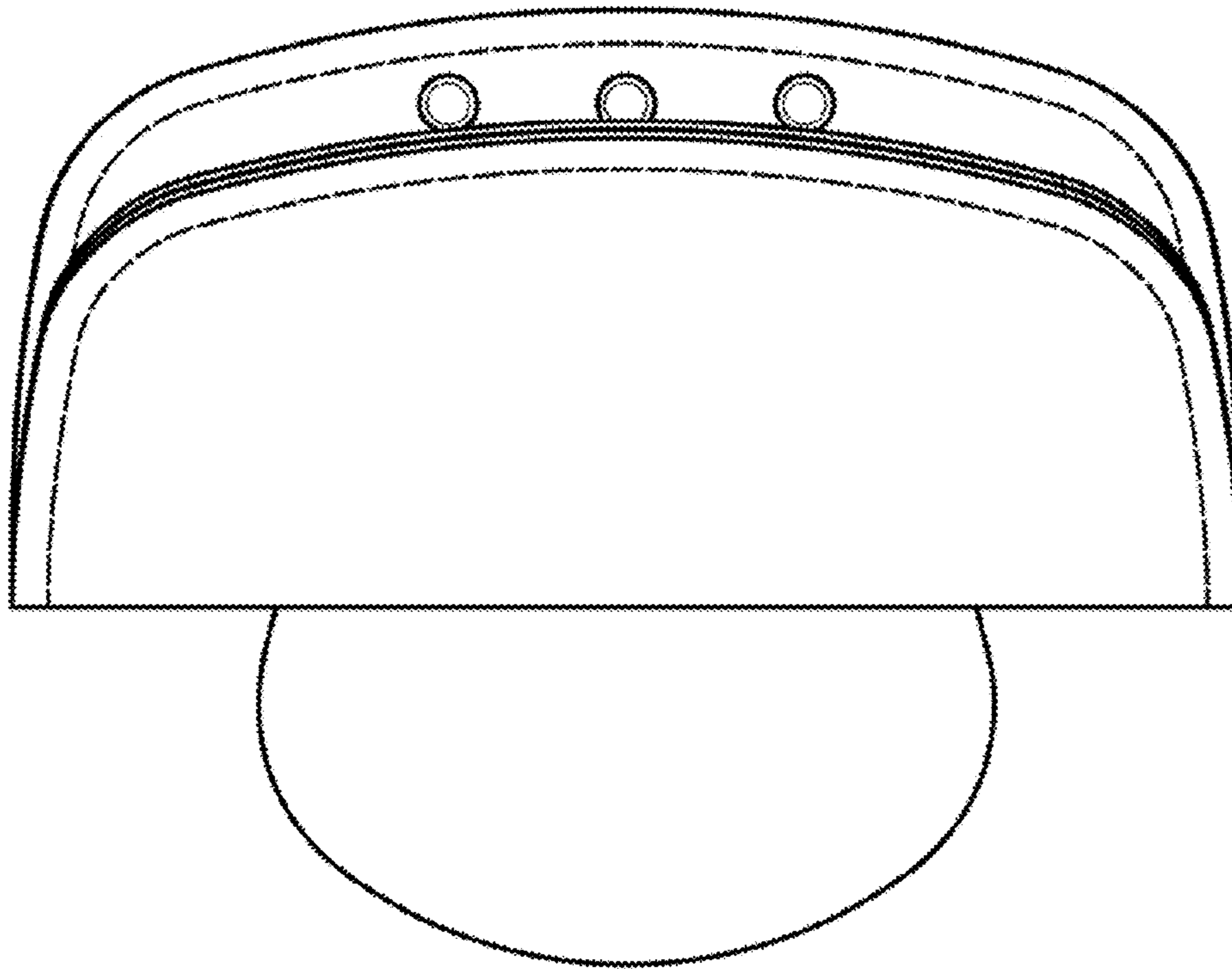


Fig.3

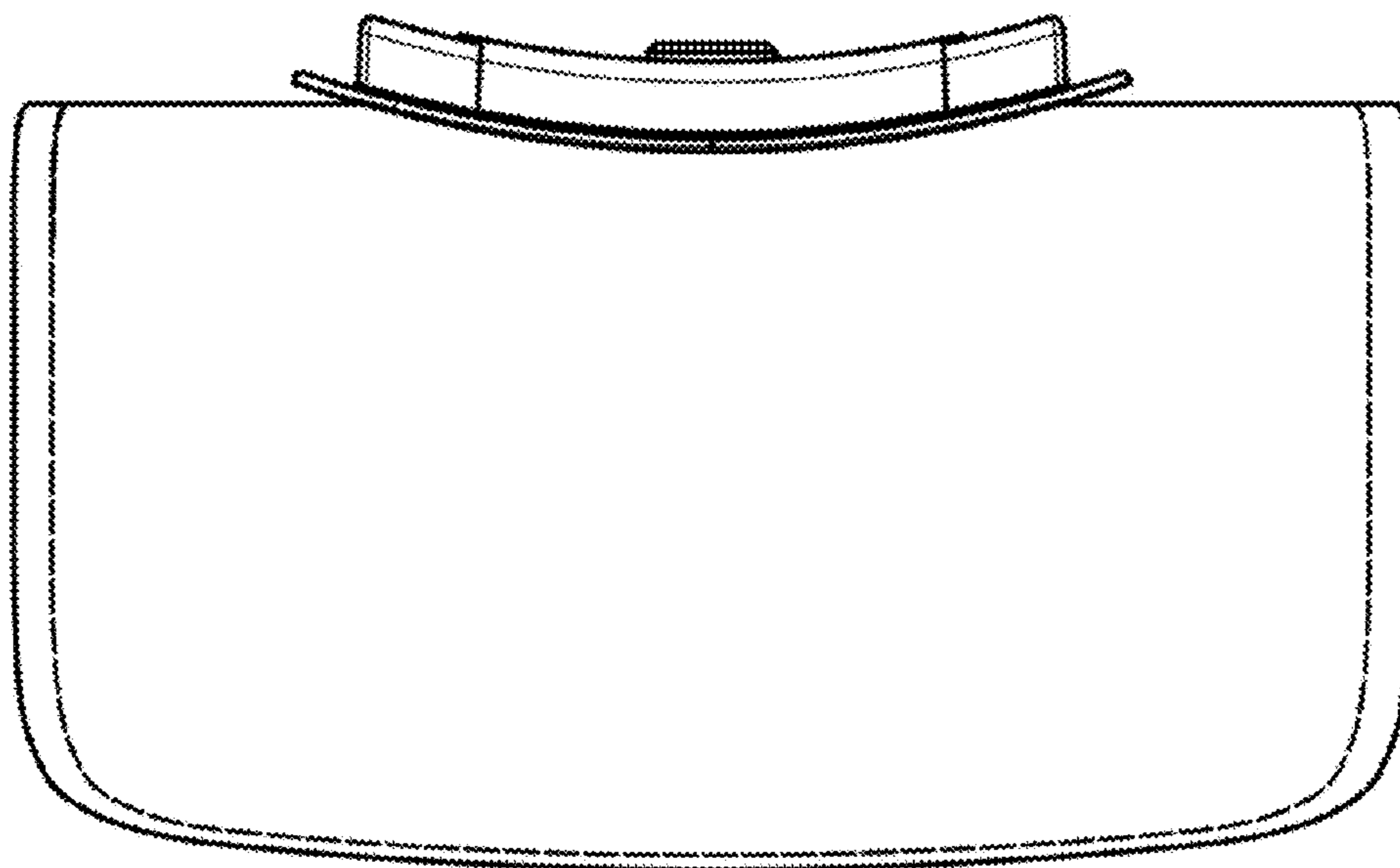


Fig.4

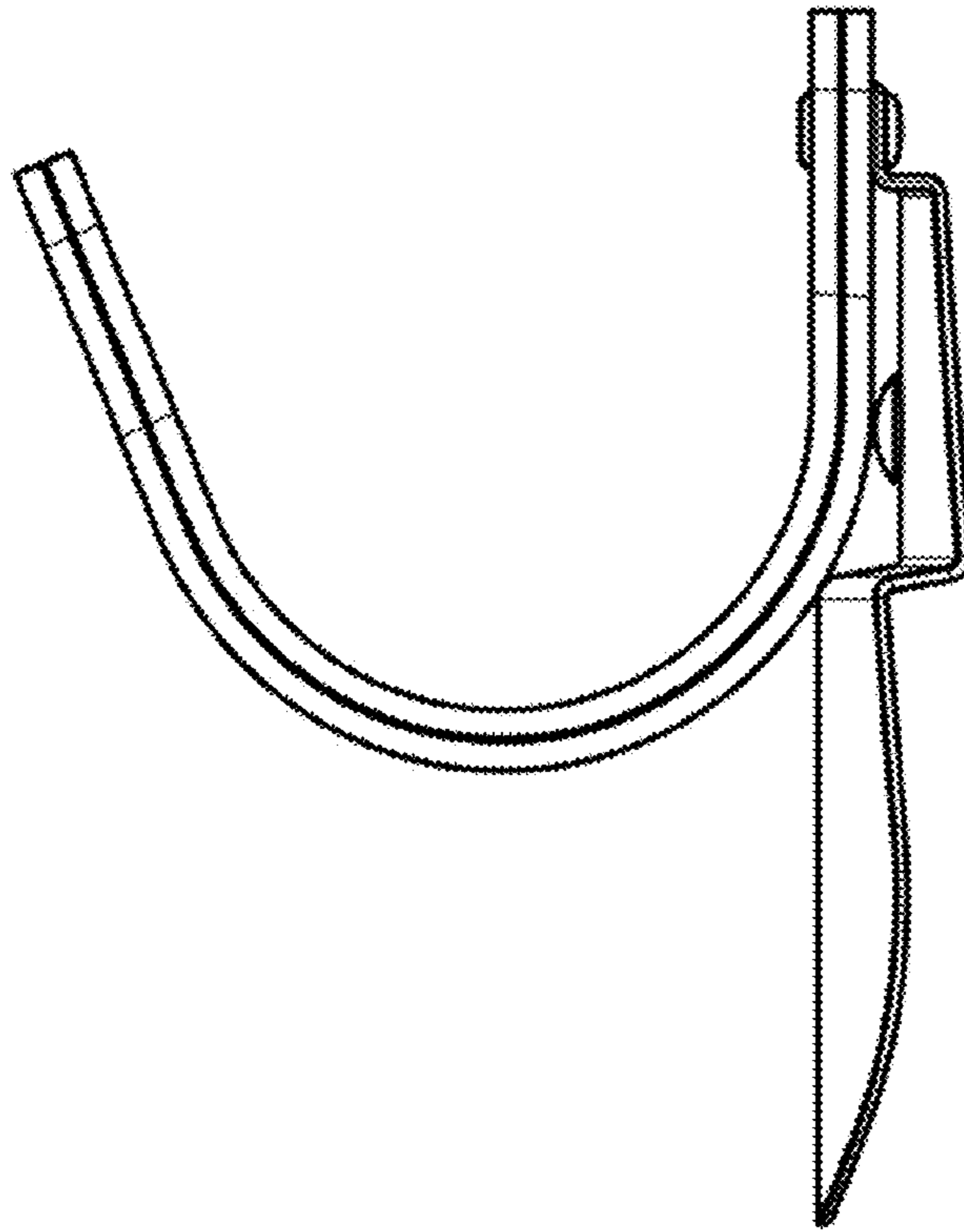


Fig.5

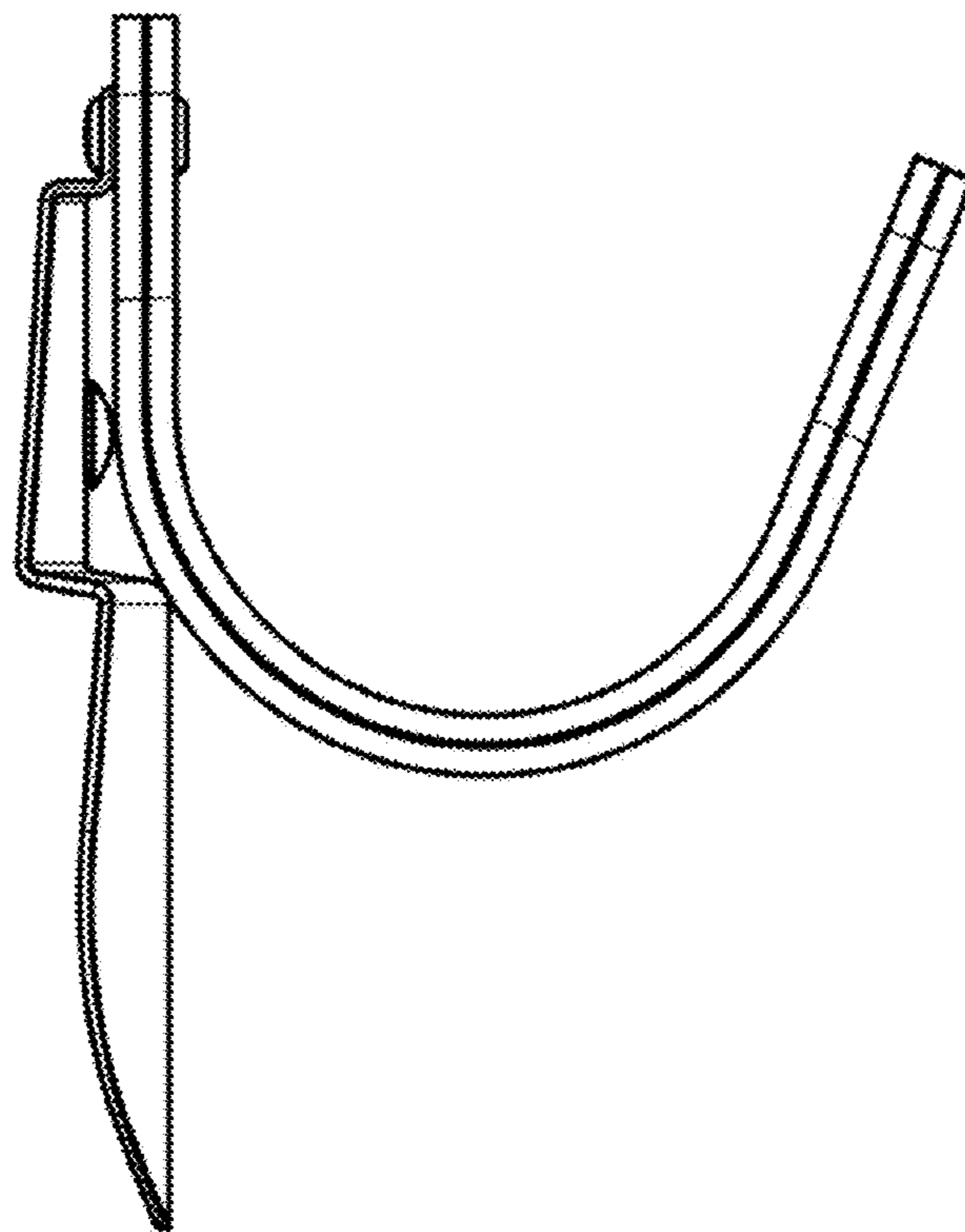


Fig.6



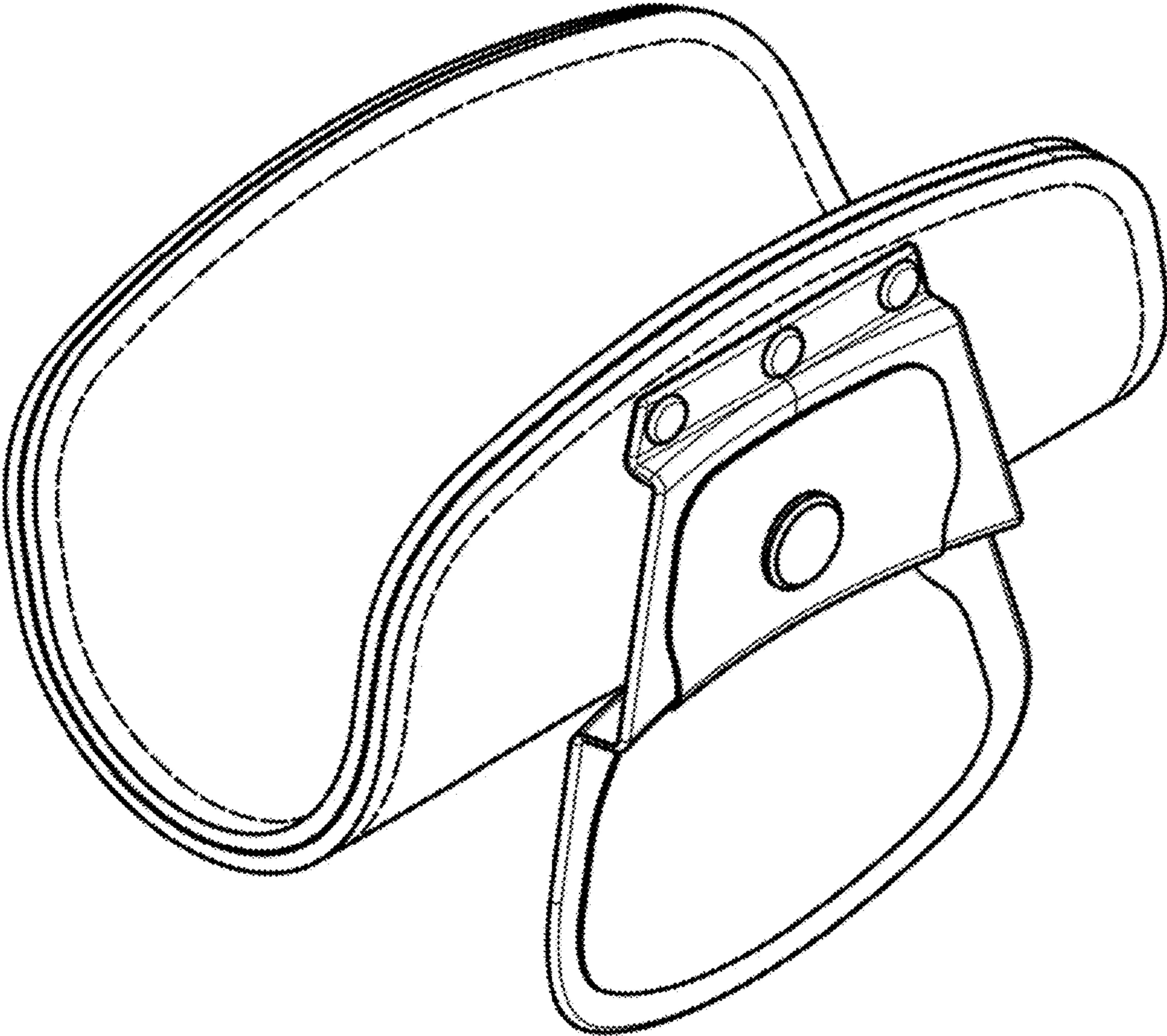


Fig.7

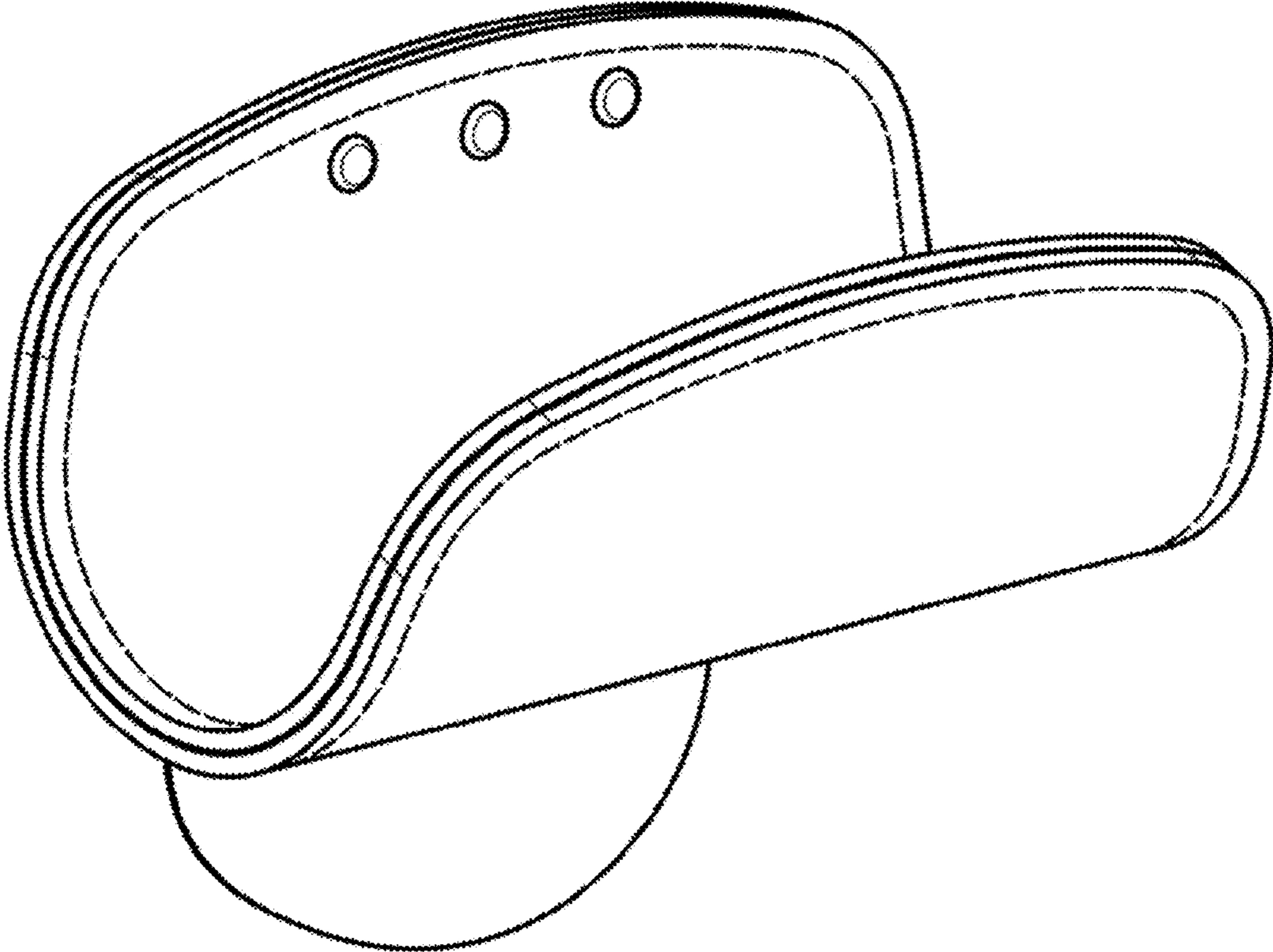


Fig.8

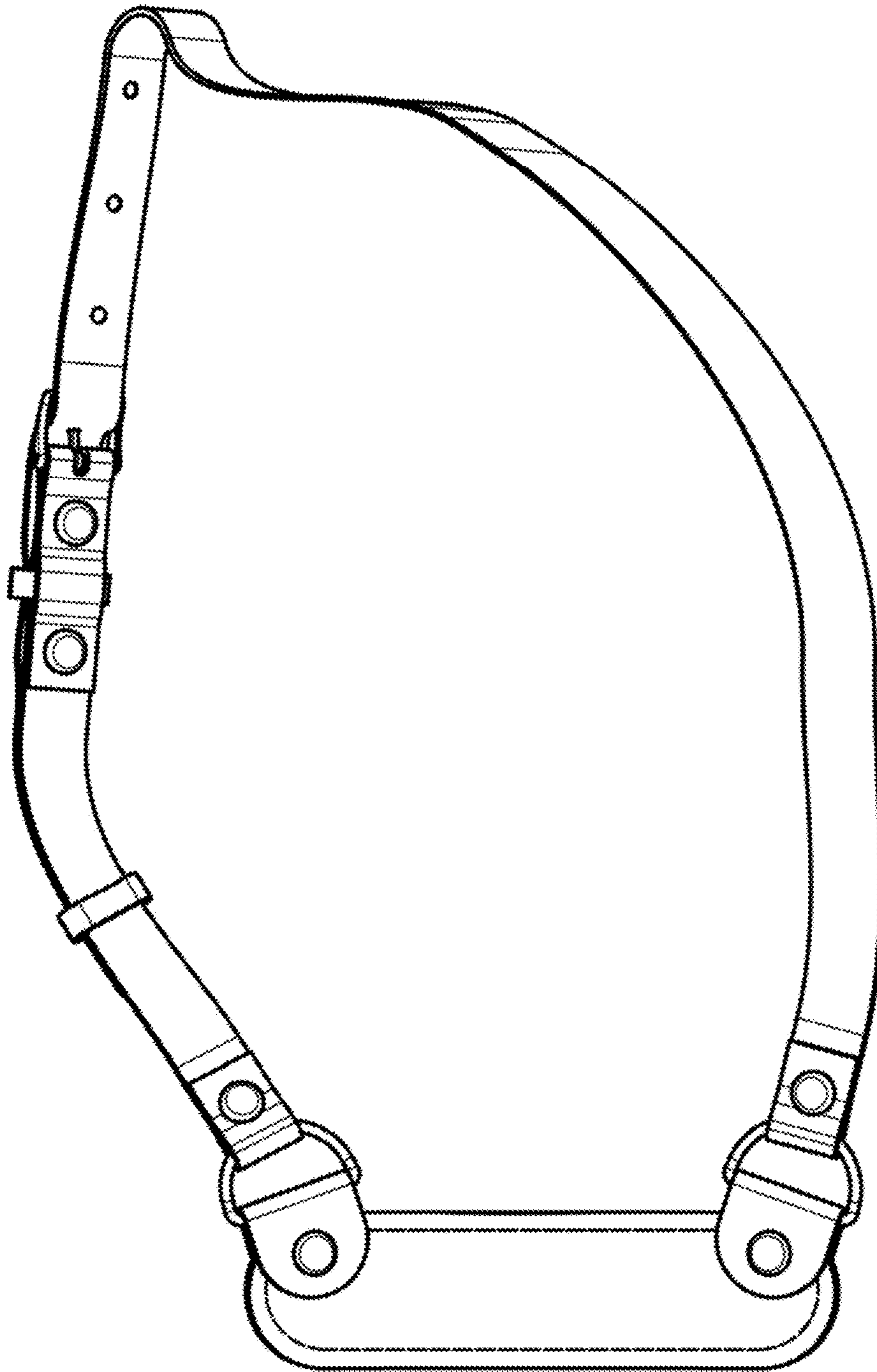


Fig.9

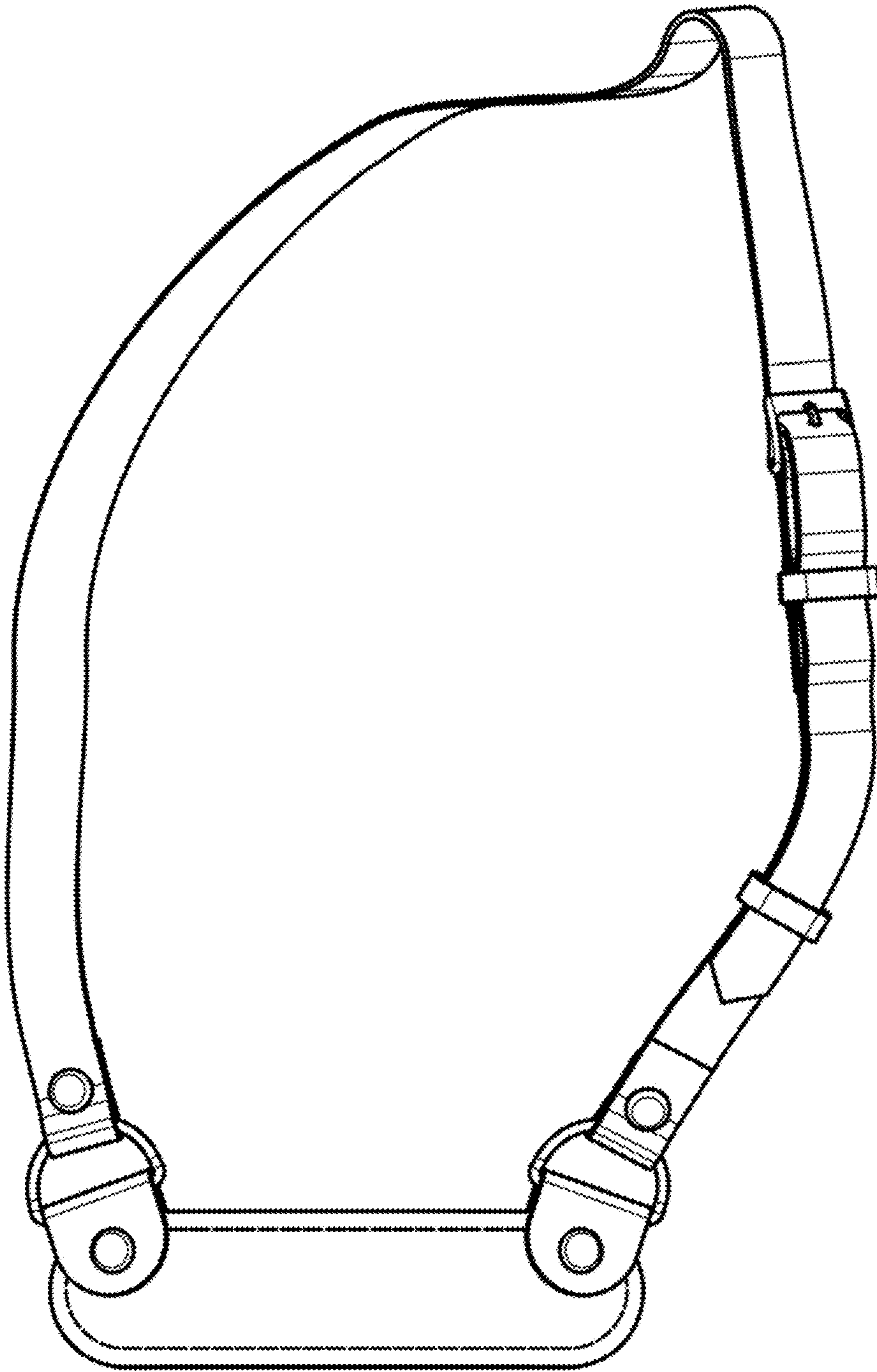


Fig.10



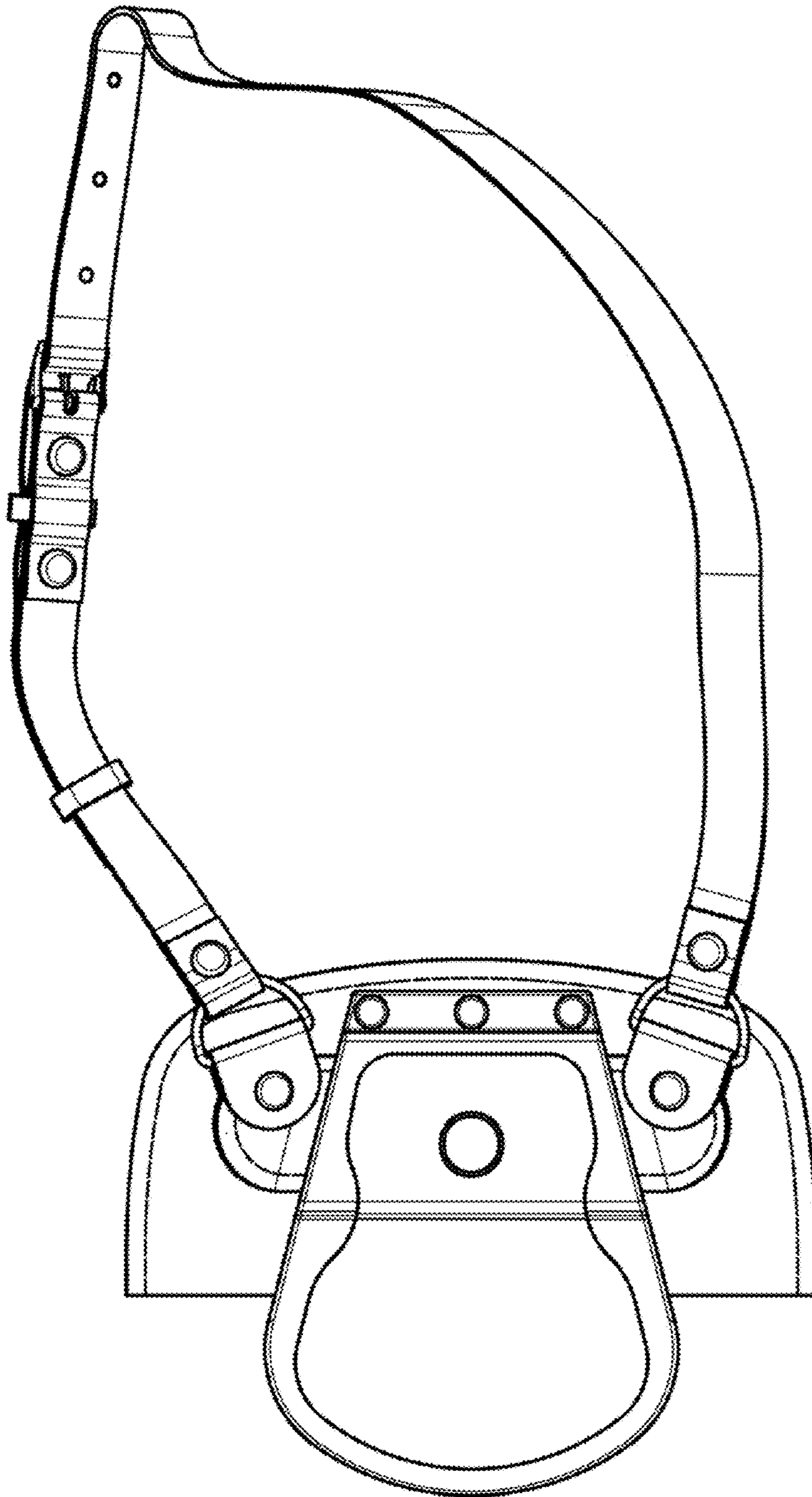


Fig.11

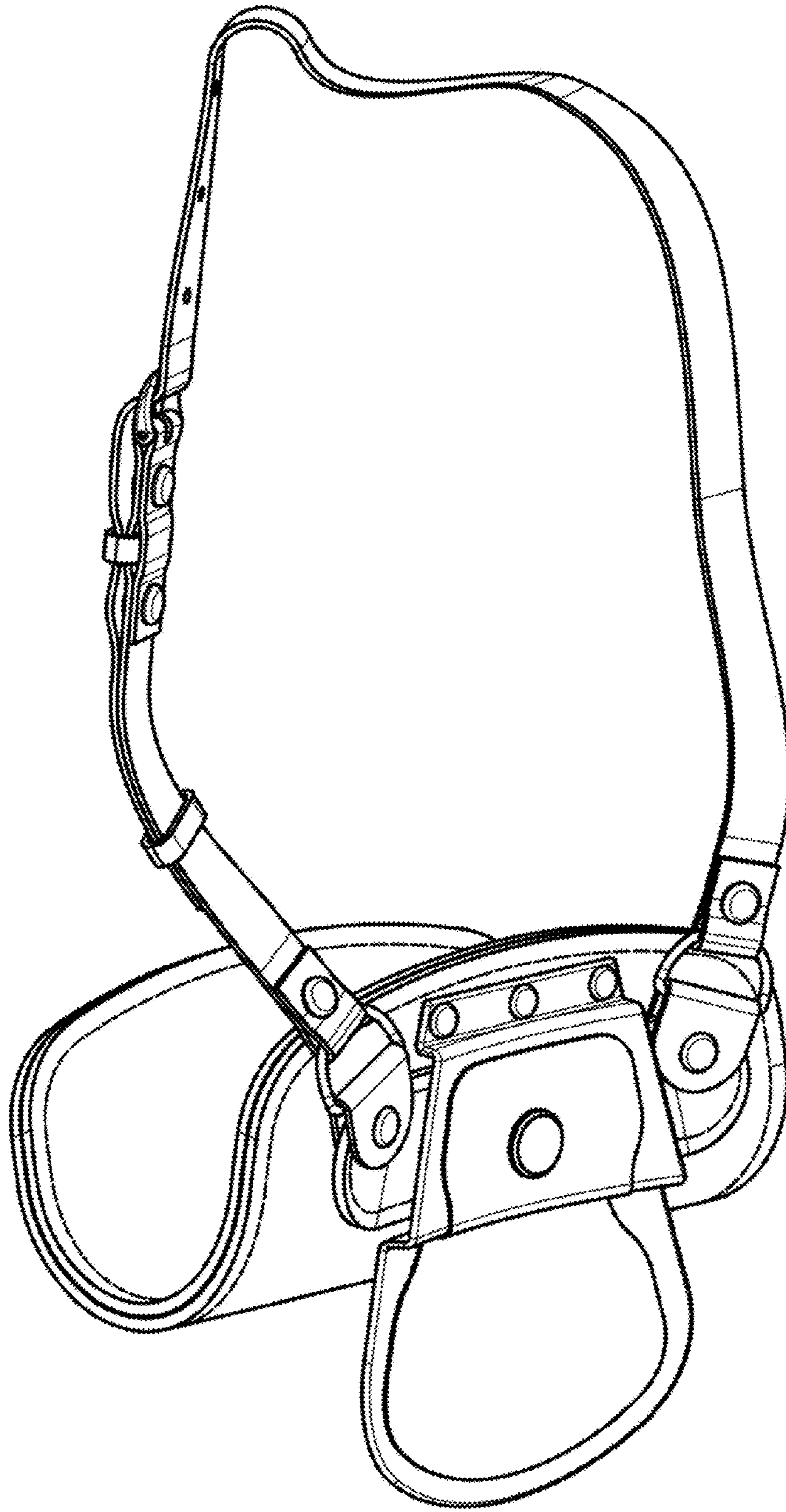


Fig.12

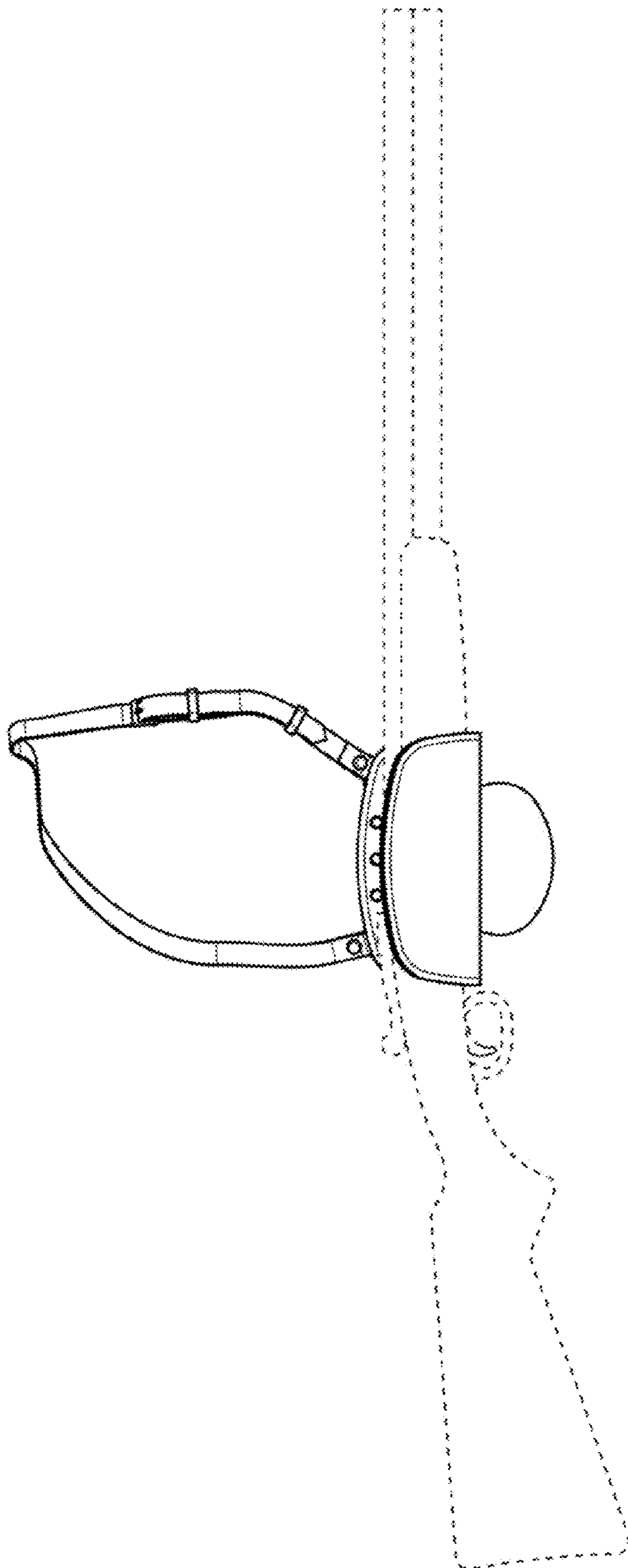


Fig.13