



US00D772999S

(12) **United States Design Patent** (10) **Patent No.:** **US D772,999 S**  
**Barrett** (45) **Date of Patent:** **\*\* Nov. 29, 2016**

(54) **FIREARM**

(71) Applicant: **Ronnie Barrett**, Murfreesboro, TN (US)

(72) Inventor: **Ronnie Barrett**, Murfreesboro, TN (US)

(\*\*) Term: **14 Years**

(21) Appl. No.: **29/504,850**

(22) Filed: **Oct. 9, 2014**

(51) **LOC (10) Cl.** ..... **22-01**

(52) **U.S. Cl.**  
USPC ..... **D22/103**

(58) **Field of Classification Search**  
USPC ..... D22/103  
CPC ..... F41C 23/10; F41C 23/14; F41C 23/16;  
F41C 23/18; F41C 23/00; F41C 27/00;  
F41C 27/06; F41A 5/18; F41A 5/24; F41A  
21/28

See application file for complete search history.

(56) **References Cited**

**U.S. PATENT DOCUMENTS**

2,088,268 A	7/1937	Lauf
2,141,537 A	12/1938	Laloux
3,198,076 A	8/1965	Stoner et al.
3,342,171 A	9/1967	James et al.
3,386,336 A	6/1968	Roy
3,688,641 A	9/1972	Curtis
3,731,588 A	5/1973	Curtis
3,791,256 A	2/1974	Curtis
3,830,003 A	8/1974	Clerke
3,999,461 A	12/1976	Johnson et al.
4,066,000 A	1/1978	Rostocil
4,351,224 A	9/1982	Curtis
4,463,654 A	8/1984	Barnes et al.
4,553,469 A	11/1985	Atchisson
4,596,084 A	6/1986	Martial
4,601,123 A	7/1986	Swearengen
4,654,993 A	4/1987	Atchisson

4,663,876 A	5/1987	Reaume	
4,693,170 A	9/1987	Atchisson	
4,872,391 A	10/1989	Stoner	
4,893,547 A	1/1990	Atchisson	
5,195,226 A	3/1993	Bornancini	
5,256,100 A	10/1993	Wang	
5,440,099 A	8/1995	Smith	
6,694,676 B2	2/2004	Blake	
7,258,055 B1 *	8/2007	Javorsky	..... F41A 23/04 42/94
7,356,958 B2	4/2008	Weir	

(Continued)

**OTHER PUBLICATIONS**

<https://www.youtube.com/watch?v=Fjf3HKy9rZQ>[Mar. 23, 2016 2:13:20 PM].\*

(Continued)

*Primary Examiner* — Michael A Pratt  
(74) *Attorney, Agent, or Firm* — Patterson Intellectual Property Law, P.C.; Ryan D. Levy

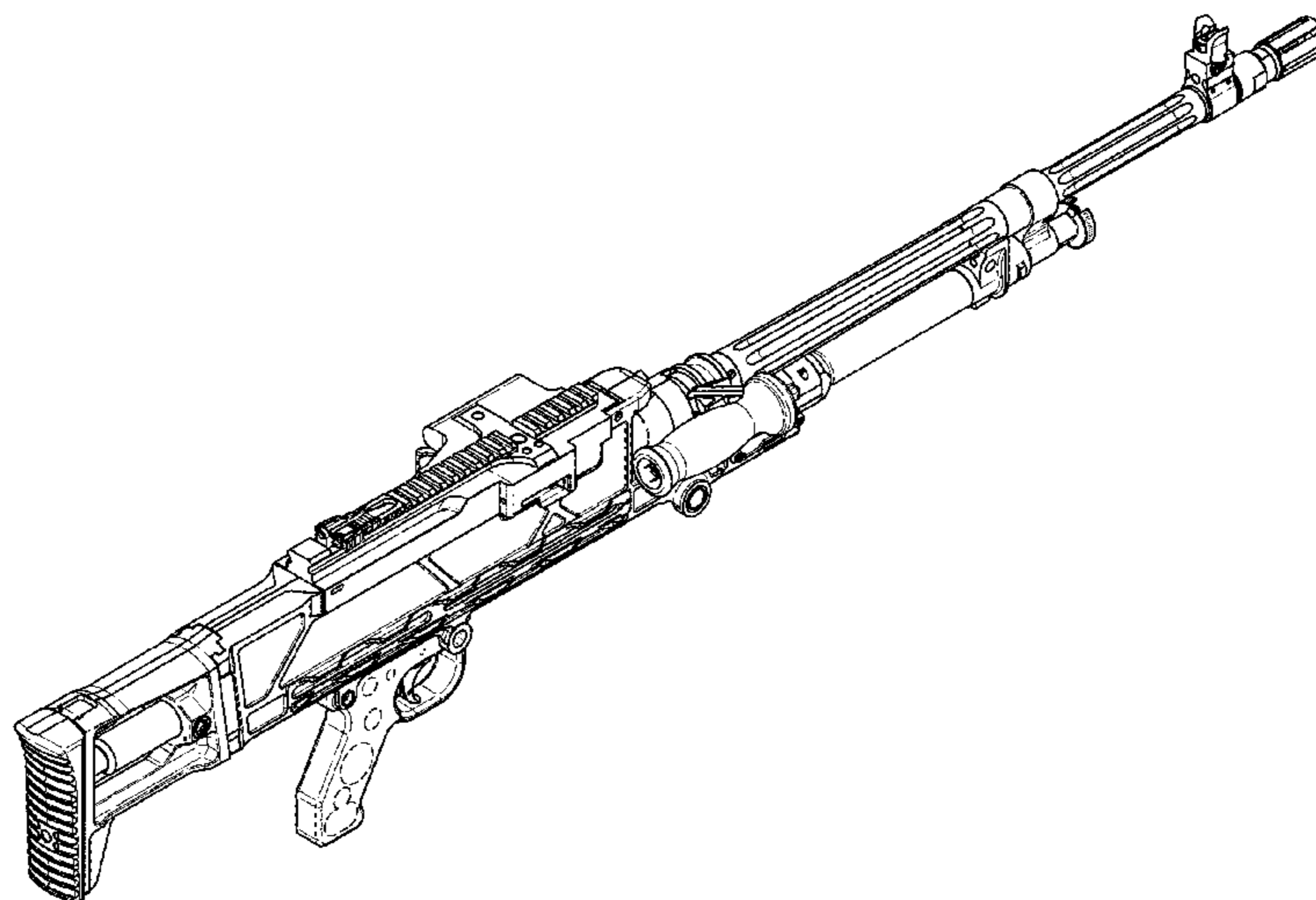
(57) **CLAIM**

What is claimed is the ornamental design for a firearm, as shown and described.

**DESCRIPTION**

FIG. 1 is a top perspective view showing the firearm of Applicant's invention.  
FIG. 2 is a bottom perspective view of the firearm of Applicant's invention.  
FIG. 3 is a front view of the firearm of Applicant's invention.  
FIG. 4 is a back view of the firearm of Applicant's invention.  
FIG. 5 is a side view of the firearm of Applicant's invention.  
FIG. 6 is a side view of the firearm of Applicant's invention.  
FIG. 7 is a top view of the firearm of Applicant's invention; and,  
FIG. 8 is a bottom view of the firearm of Applicant's invention.

**1 Claim, 5 Drawing Sheets**



(56)

References Cited

OTHER PUBLICATIONS

U.S. PATENT DOCUMENTS

7,676,977 B1 3/2010 Cahill  
 7,937,877 B2 \* 5/2011 Barrett ..... F41A 3/66  
 42/75.1  
 7,950,178 B1 \* 5/2011 Landies ..... F41A 19/27  
 42/69.01  
 8,104,213 B2 1/2012 Keng  
 8,316,570 B2 11/2012 Potterfield  
 8,402,684 B1 3/2013 Beltz  
 D682,973 S \* 5/2013 KasanJian-King ..... D22/108  
 8,448,369 B2 5/2013 Hinds, Jr.  
 8,496,212 B2 7/2013 Keng  
 D747,426 S 1/2016 Cheng  
 D750,188 S 2/2016 Fitzpatrick et al.  
 2003/0196366 A1 10/2003 Beretta  
 2007/0033850 A1 2/2007 Murello et al.  
 2008/0092732 A1 \* 4/2008 Becker ..... F41A 27/06  
 89/37.03  
 2008/0229642 A1 9/2008 Hu  
 2009/0126250 A1 5/2009 Keng  
 2011/0283582 A1 11/2011 Hunter et al.  
 2012/0144985 A1 6/2012 Beville et al.  
 2012/0198990 A1 8/2012 Brittin  
 2014/0115940 A1 5/2014 Bonelli  
 2014/0190059 A1 7/2014 Ballard  
 2014/0331538 A1 11/2014 Spiegelhauer  
 2015/0020429 A1 \* 1/2015 Savoy ..... F41G 11/008  
 42/111  
 2015/0198409 A1 7/2015 Desomma  
 2015/0241160 A1 8/2015 McGinty  
 2016/0033217 A1 \* 2/2016 Gryparis ..... F41A 3/12  
 89/180  
 2016/0040948 A1 \* 2/2016 Barrett ..... F41A 3/66  
 89/136  
 2016/0169609 A1 \* 6/2016 Lowrance ..... F41A 33/06  
 434/18

<http://www.tactical-life.com/exclusives/barrett-next-gen-m240lw-sneak-peek/>[Mar. 23, 2016 2:15:15 PM].\*

<http://www.flickrriver.com/photos/pye42/6796507127/>[Mar. 23, 2016 2:16:15 PM].\*

<https://www.youtube.com/watch?v=8xusEBOCeds>[Mar. 23, 2016 2:10:41 PM].\*

“Chapter 3: M240B Machine Gun”, Apr. 27, 2005, Globalsecurity.org.

M240LW Test Fire, YouTube video published on Aug. 19, 2011, at <https://www.youtube.com/watch?v=8xusEBOCeds>.

Accuracy International Brochure, published on Jan. 14, 2014, at [http://www.accuracyinternational.com/default/public/media/pdf/AI\\_brochure\\_download\\_2014\\_LR.pdf](http://www.accuracyinternational.com/default/public/media/pdf/AI_brochure_download_2014_LR.pdf).

PCT Application No. PCT/US2016/025294 filed Mar. 31 2016 to Barrett et al. (not prior art).

PCT Application No. PCT/US2015/044642 filed Aug. 11, 2015 to Barrett et al. (not prior art).

U.S. Appl. No. 29/504,851, filed Oct. 9, 2014 to Barrett. (not prior art).

U.S. Appl. No. 14/823,111, filed Aug. 11, 2015 to Barrett. (not prior art).

U.S. Appl. No. 29/504,846, filed Oct. 9, 2014 to Barrett. (not prior art).

U.S. Appl. No. 29/504,849, filed Oct. 9, 2014 to Barrett. (not prior art).

U.S. Appl. No. 15/086,876, filed Mar. 31, 2016 to Barrett et al. (not prior art).

\* cited by examiner

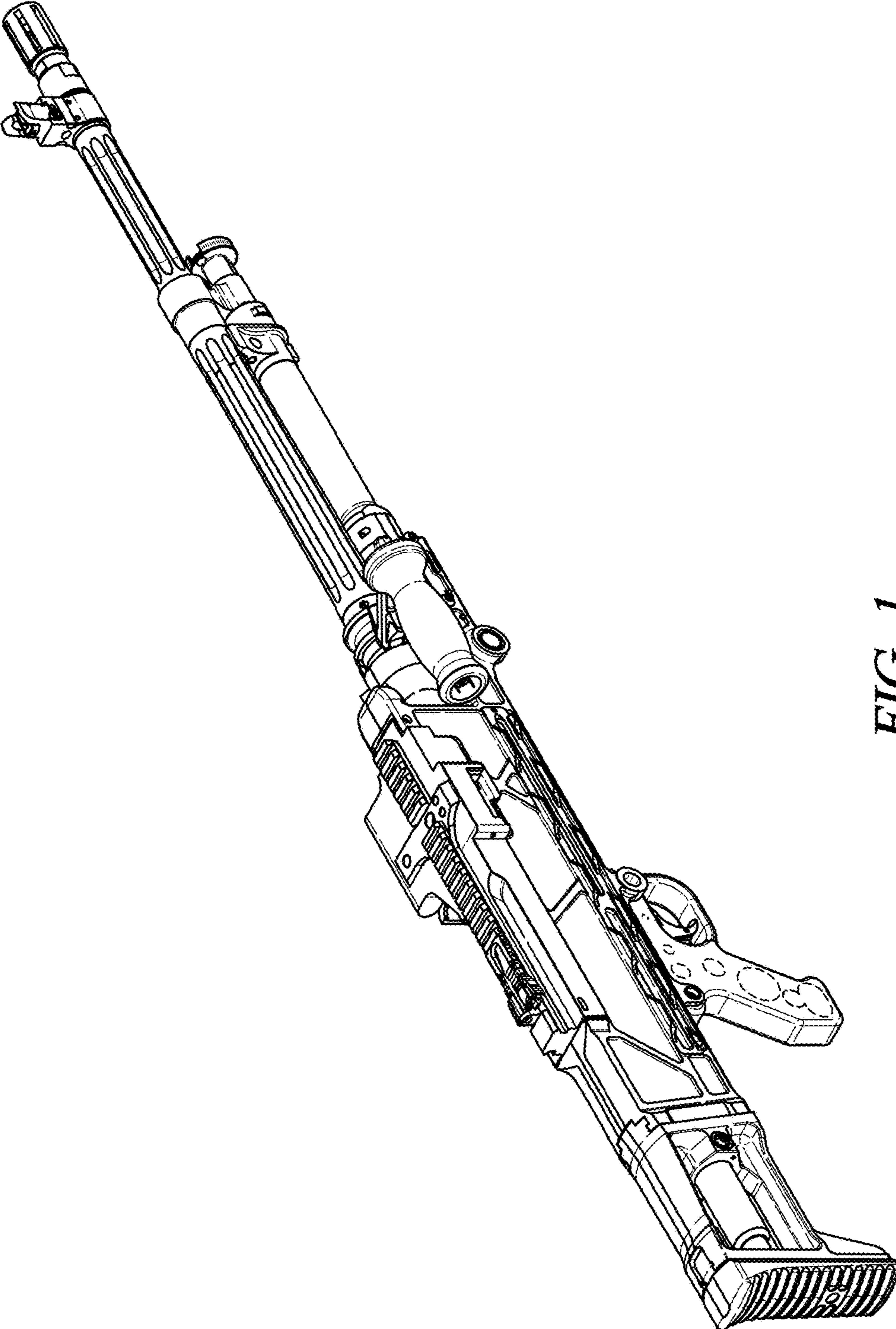


FIG. 1

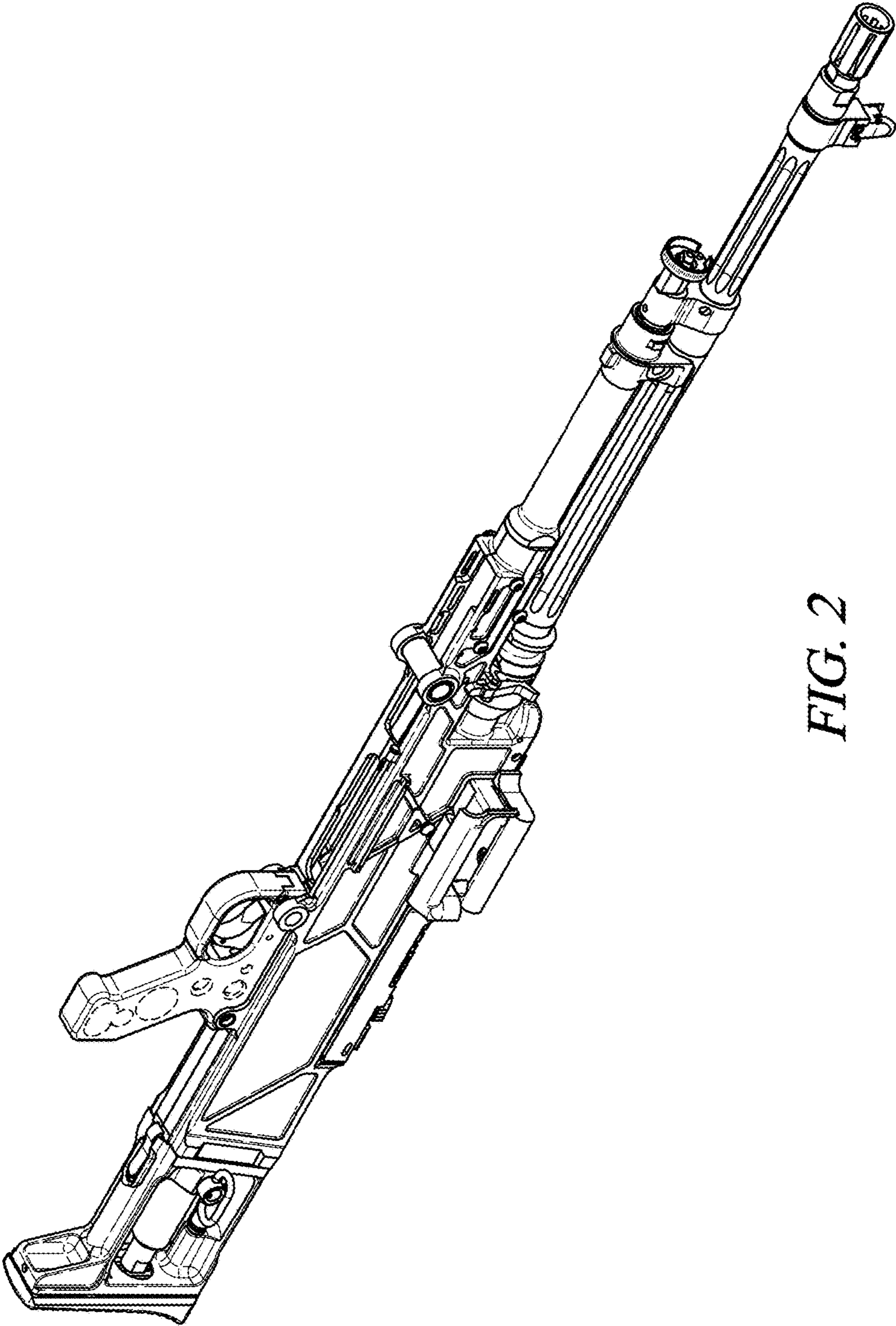
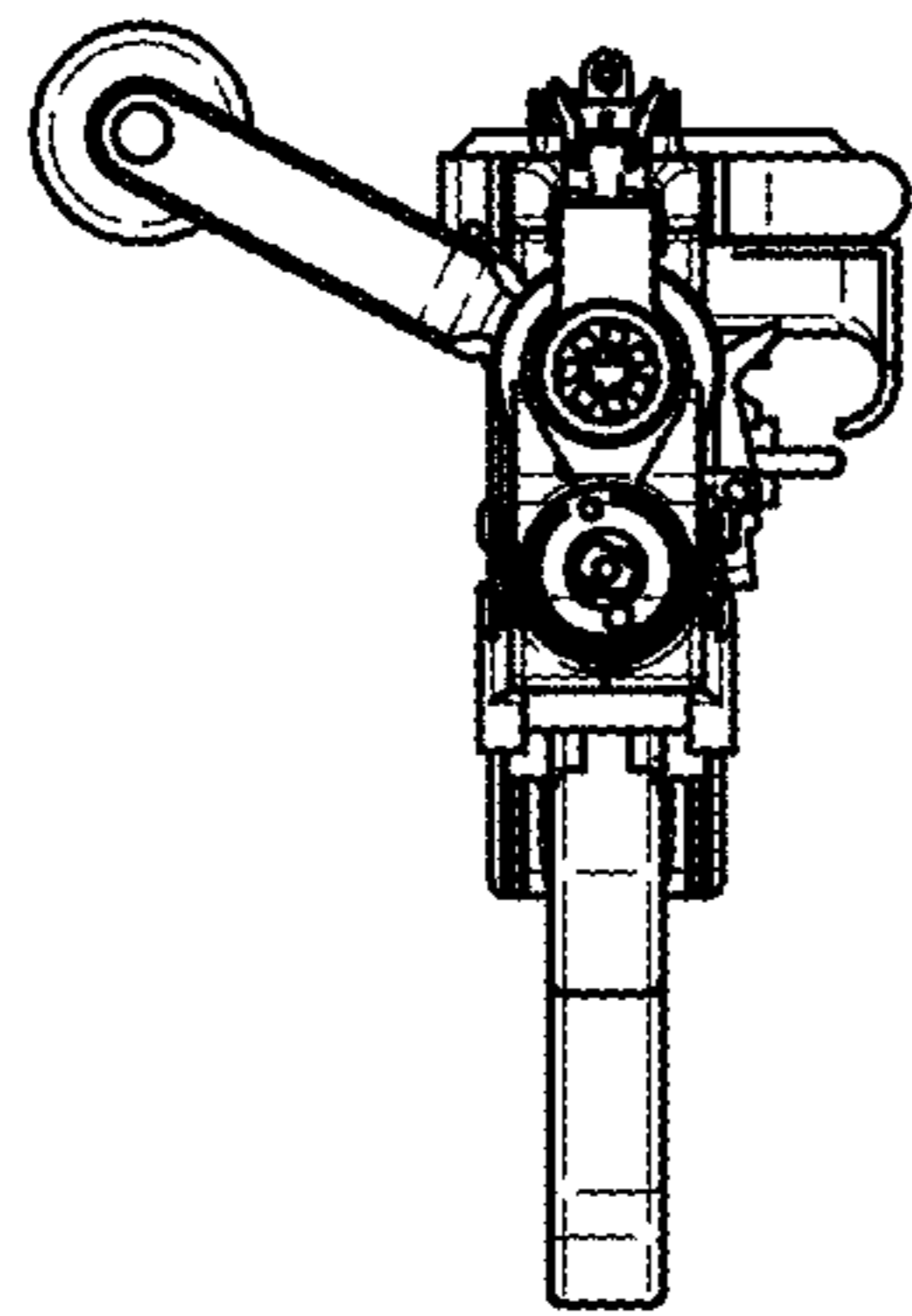
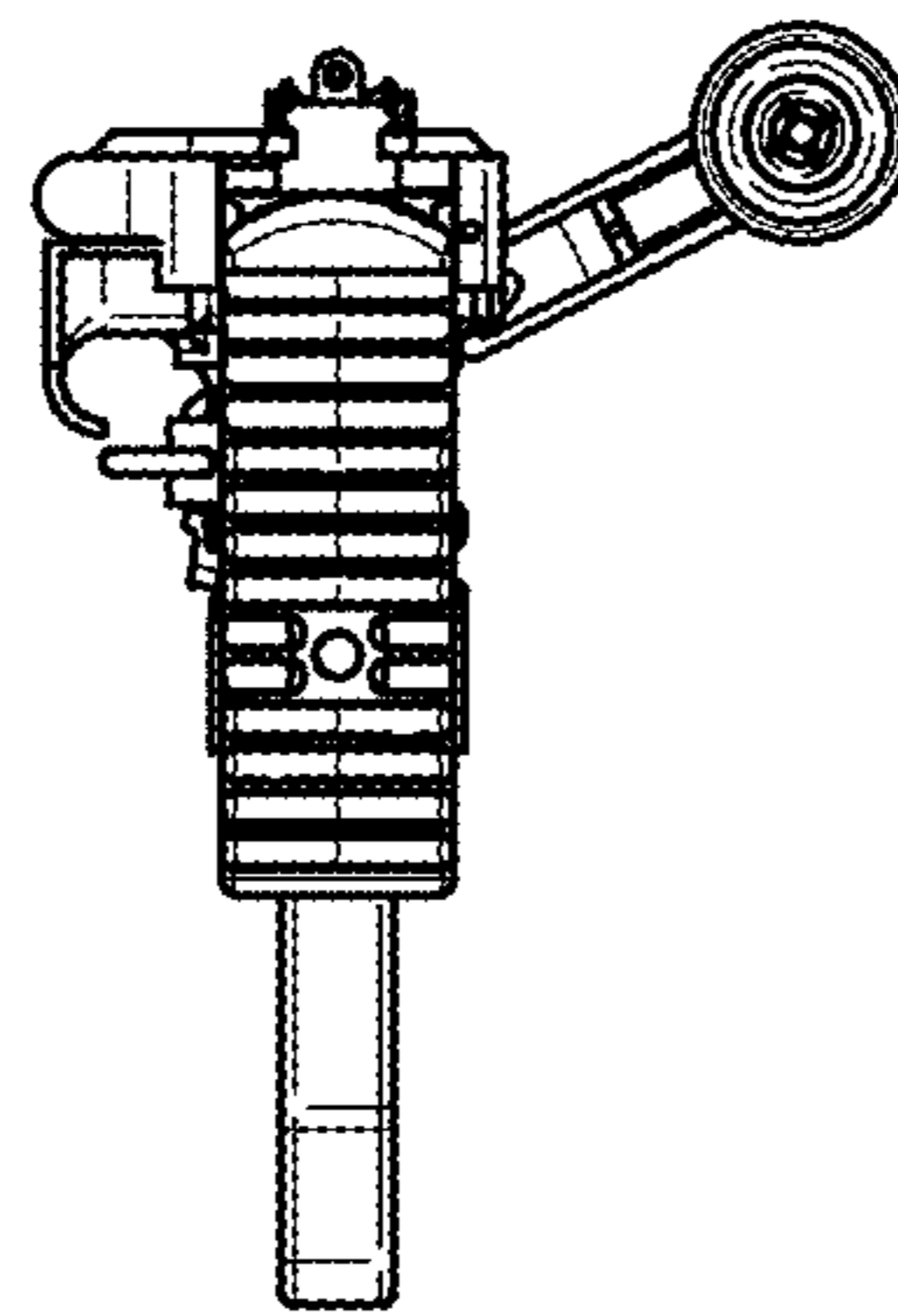


FIG. 2



*FIG. 3*



*FIG. 4*

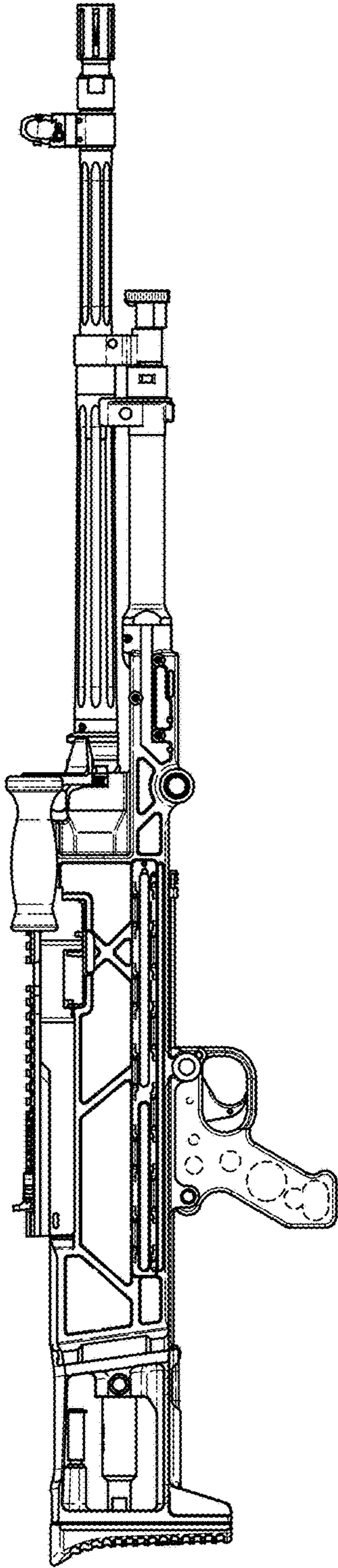


FIG. 5

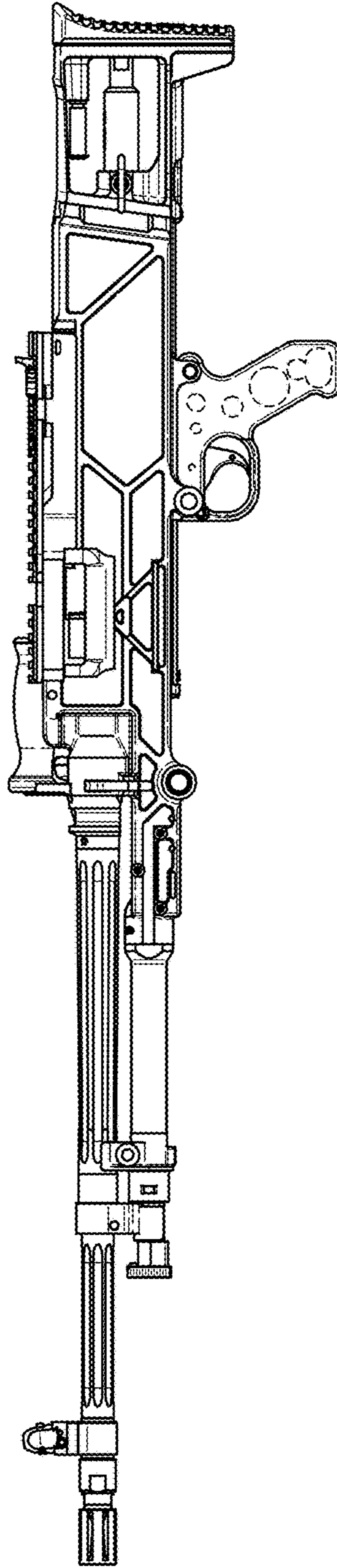
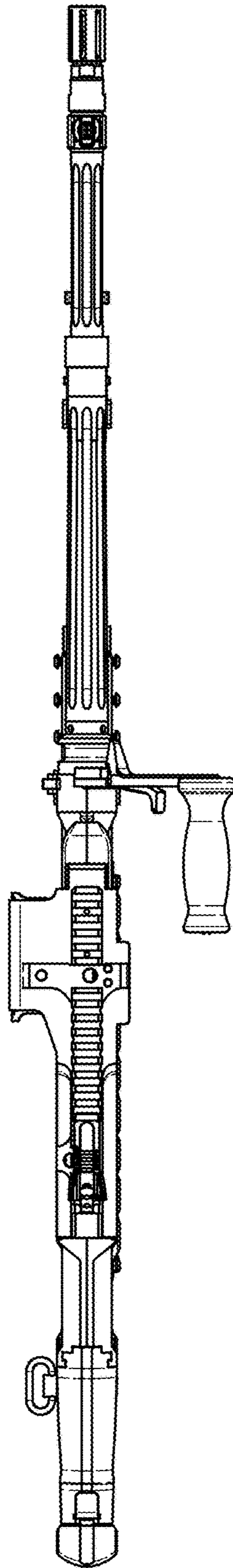
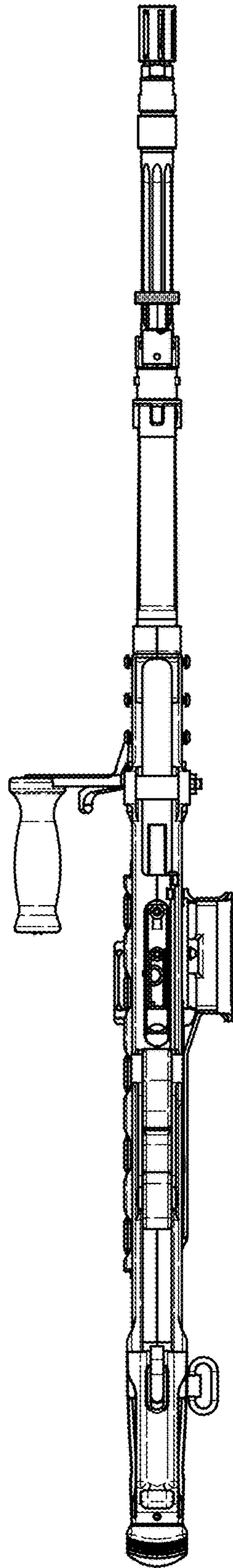


FIG. 6



*FIG. 7*



*FIG. 8*