



US00D772998S

(12) **United States Design Patent**
Ranjan et al.

(10) **Patent No.:** **US D772,998 S**

(45) **Date of Patent:** **** Nov. 29, 2016**

(54) **DIVOT TOOL**

(71) Applicants: **Avee Ranjan**, Alexandria, VA (US);
Marc Nivet, Alexandria, VA (US)

(72) Inventors: **Avee Ranjan**, Alexandria, VA (US);
Marc Nivet, Alexandria, VA (US)

(**) Term: **15 Years**

(21) Appl. No.: **29/532,938**

(22) Filed: **Jul. 13, 2015**

(51) **LOC (10) Cl.** **21-02**

(52) **U.S. Cl.**
USPC **D21/793**

(58) **Field of Classification Search**
USPC D21/789, 793-794
CPC .. A63B 57/353; A63B 57/207; A63B 57/50;
A63B 57/12; A63B 57/16; A63B 57/20;
A63B 57/30; A63B 57/35
See application file for complete search history.

(56) **References Cited**

U.S. PATENT DOCUMENTS

D365,133 S	*	12/1995	Belmont	D21/794
D425,164 S	*	5/2000	Tate	D21/793
D431,625 S	*	10/2000	Gribovsky	D21/793
D442,249 S	*	5/2001	Fazekas	D21/793
D465,539 S	*	11/2002	Tate	D21/793
D518,864 S	*	4/2006	Bradshaw	D21/793
D540,902 S	*	4/2007	Regalado	D21/794
D567,319 S	*	4/2008	Beard	D21/793
D571,428 S	*	6/2008	Williams	D21/793
D588,670 S	*	3/2009	Walz	D21/794

D596,691 S	*	7/2009	Heap	D21/793
D603,925 S	*	11/2009	Hafdal	D21/793
D606,149 S	*	12/2009	Regalado	D21/793
D633,587 S	*	3/2011	Ringl	D21/793
D637,677 S	*	5/2011	Bradshaw	D21/793
D639,372 S	*	6/2011	Zelevkovitz	D21/793
D645,105 S	*	9/2011	Schauffele	D21/793
D645,107 S	*	9/2011	Schauffele	D21/793
D645,927 S	*	9/2011	Schauffele	D21/793
D653,721 S	*	2/2012	Jenkins	D21/793
D666,265 S	*	8/2012	Solheim	D21/793
D741,972 S	*	10/2015	McDevitt	D21/794
D747,779 S	*	1/2016	McCrimmon	D21/793

* cited by examiner

Primary Examiner — Mitchell Siegel

(74) *Attorney, Agent, or Firm* — Harpman & Harpman

(57) **CLAIM**

The ornamental design for a divot tool, as shown and described.

DESCRIPTION

FIG. 1 is an exploded perspective view of the divot tool of the invention.

FIG. 2 is a perspective view of the divot tool.

FIG. 3 is a top plan view of the divot tool.

FIG. 4 is a bottom plan view thereof.

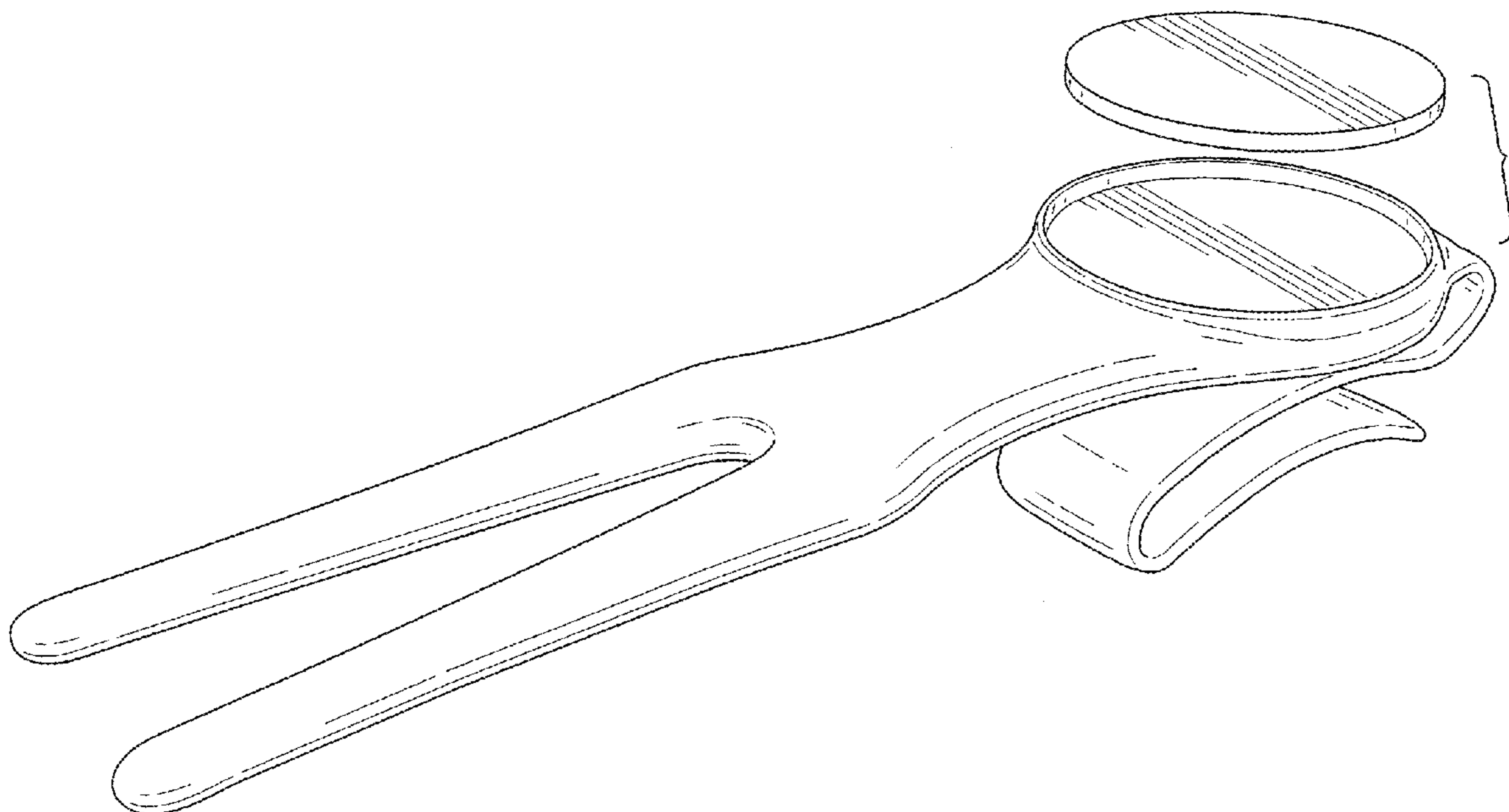
FIG. 5 is a right side elevational view with the left view being a mirror image thereof.

FIG. 6 is a rear elevational view of the divot tool; and,

FIG. 7 is a front elevational view thereof.

The broken line showing of a cap is included for the purpose of illustrating and forms no part of the claimed design.

1 Claim, 6 Drawing Sheets



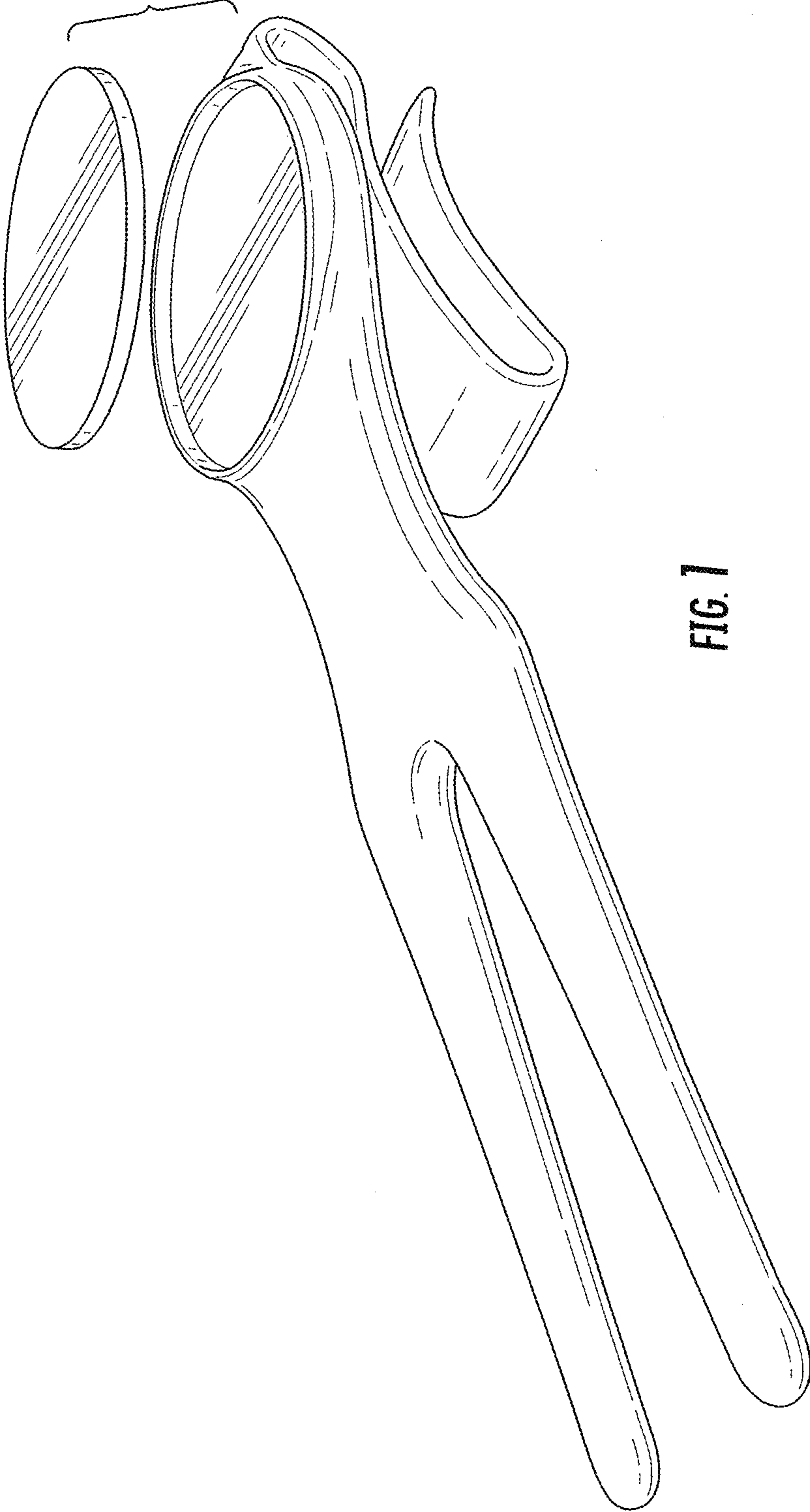


FIG. 1

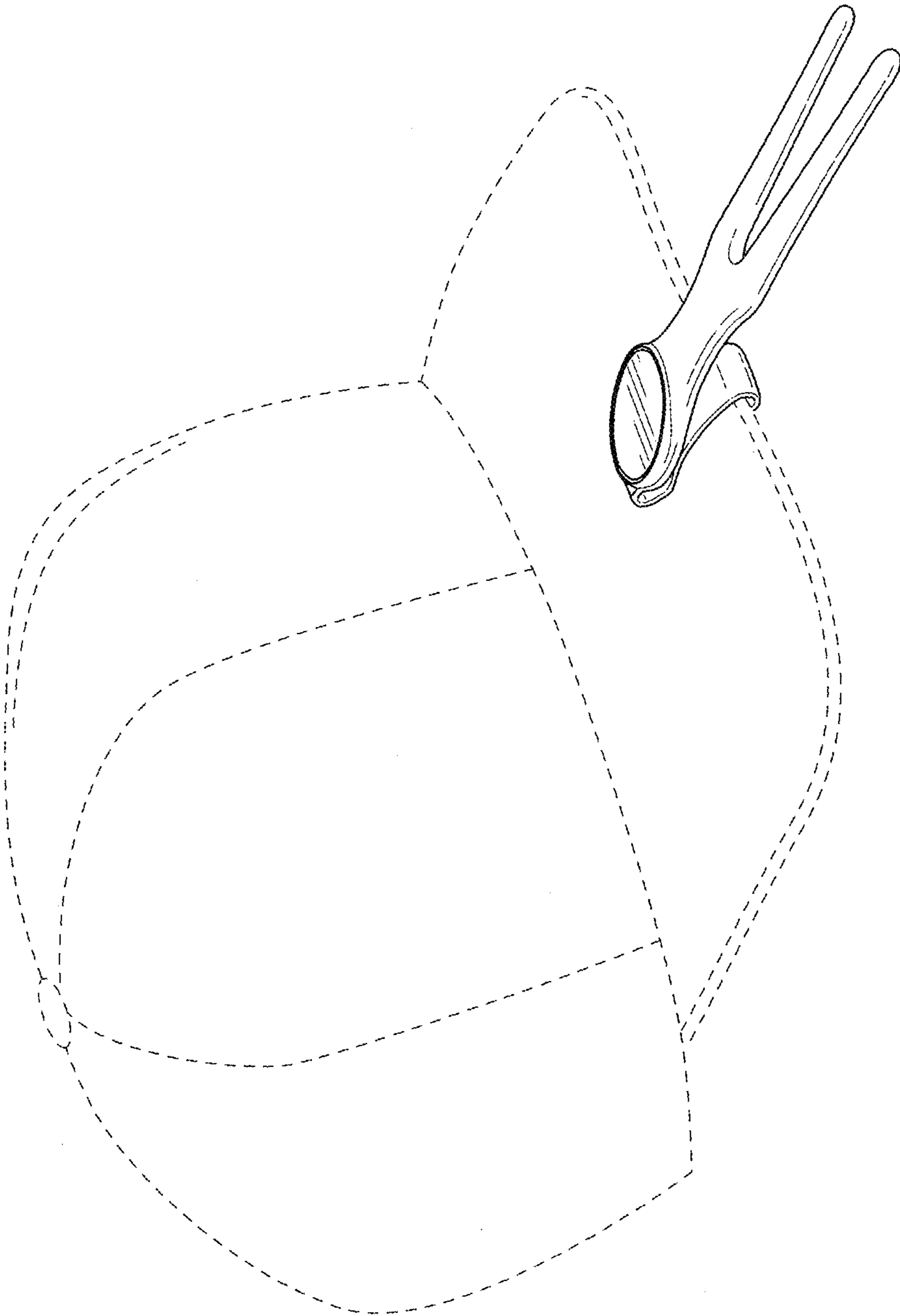


FIG. 2

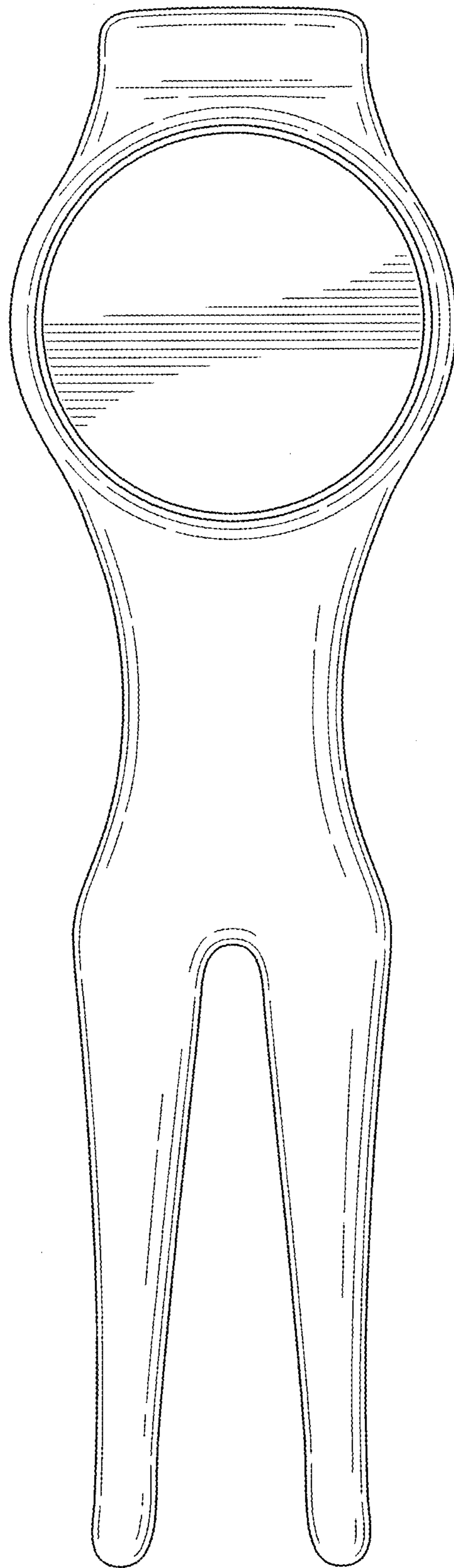


FIG. 3

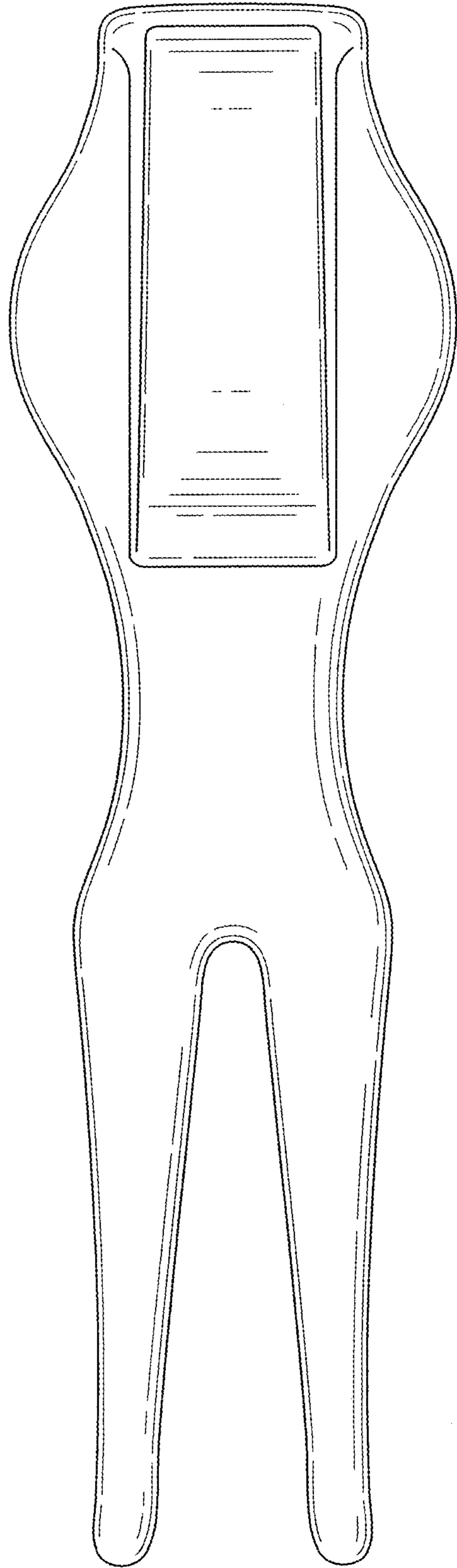


FIG. 4

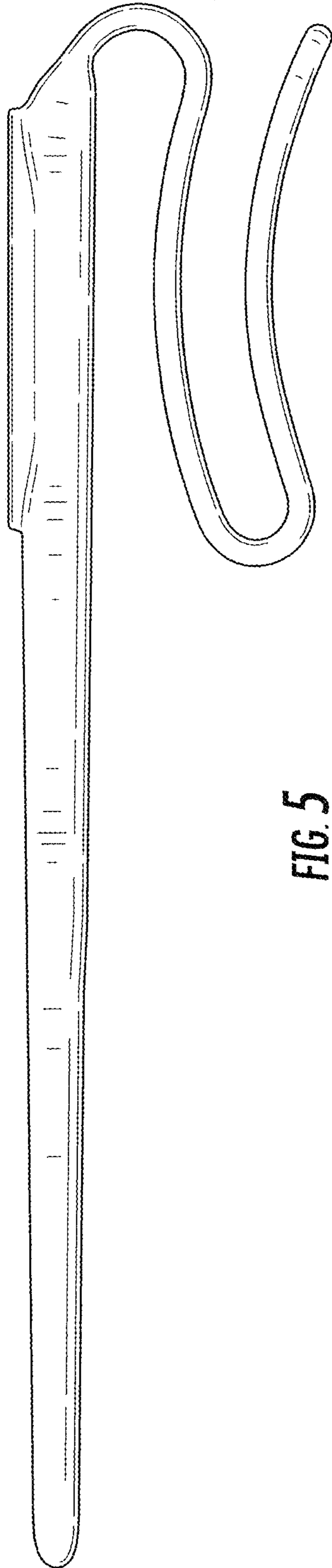


FIG. 5

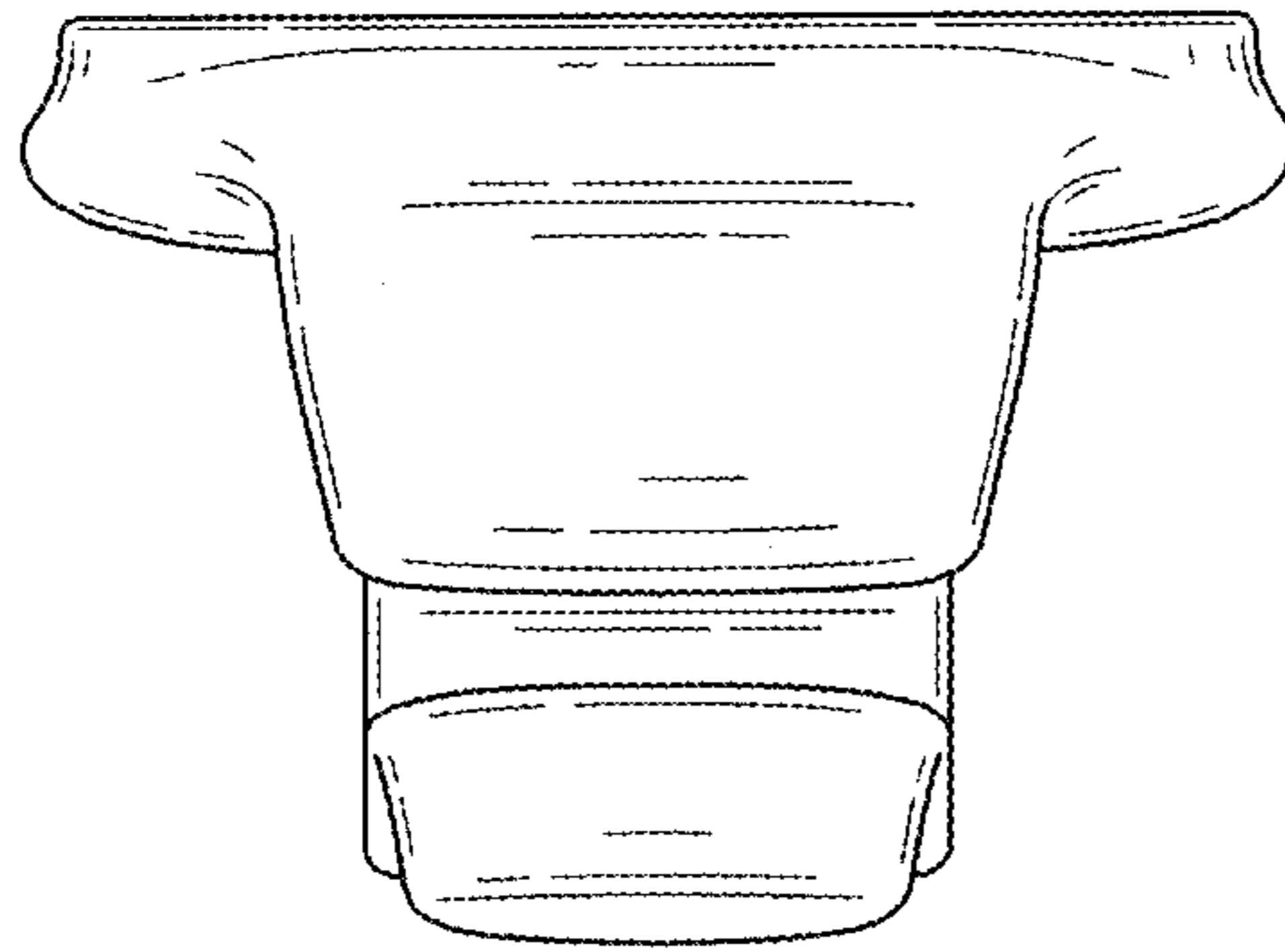


FIG. 6

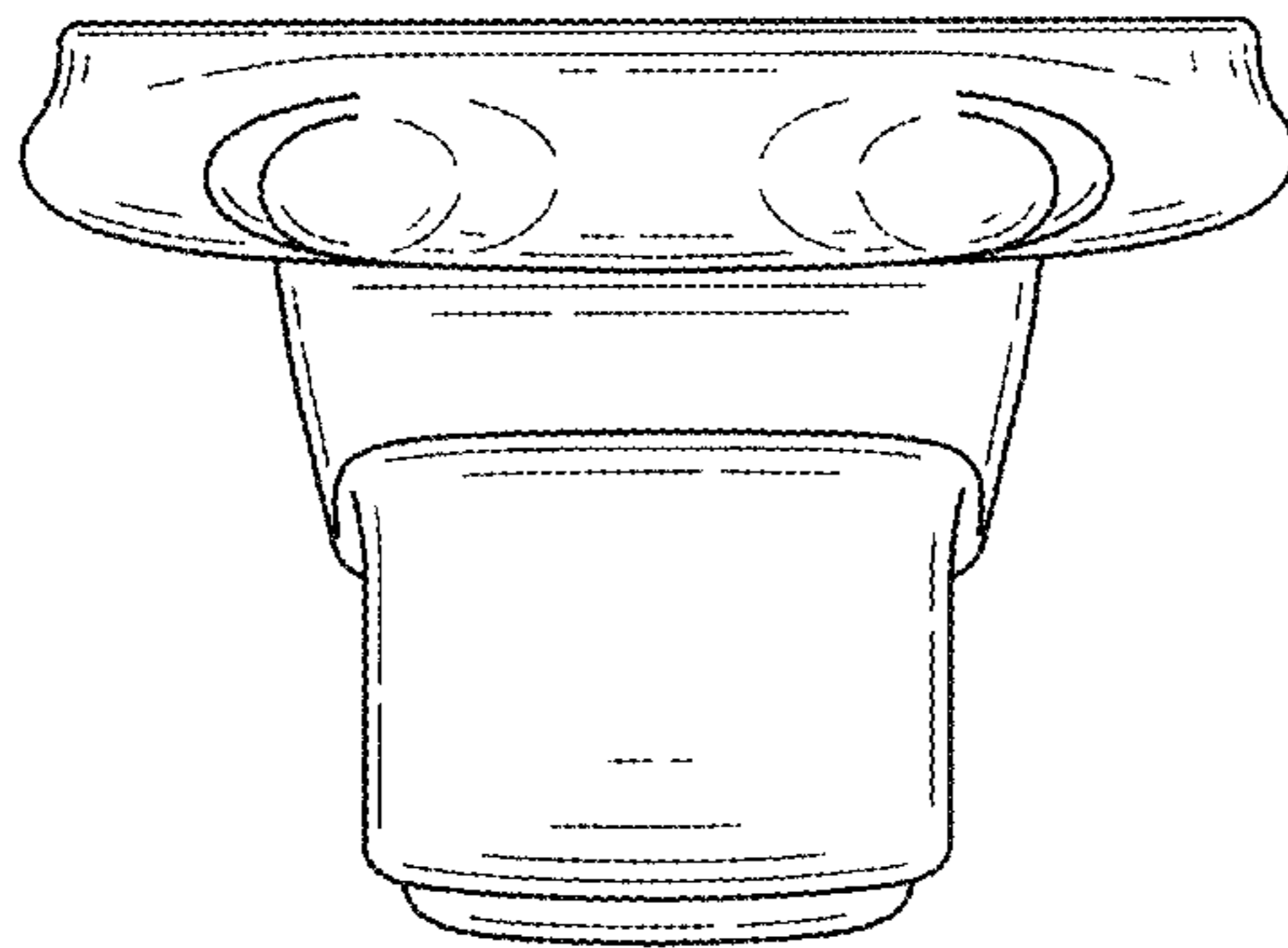


FIG. 7