



US00D772997S

(12) **United States Design Patent**
Stassi, Jr.

(10) **Patent No.:** **US D772,997 S**
(45) **Date of Patent:** **** Nov. 29, 2016**

- (54) **EYEBALL GOLF TRAINER**
- (71) Applicant: **Robert Joseph Stassi, Jr.**, Medford, OR (US)
- (72) Inventor: **Robert Joseph Stassi, Jr.**, Medford, OR (US)
- (73) Assignee: **Robert Stassi, Jr.**, Eagle Point, OR (US)
- (**) Term: **14 Years**
- (21) Appl. No.: **29/505,020**
- (22) Filed: **Apr. 27, 2015**
- (51) **LOC (10) Cl.** **21-02**
- (52) **U.S. Cl.**
USPC **D21/791**
- (58) **Field of Classification Search**
USPC D21/789, 791
CPC G01C 15/004; A63B 69/3641; A63B 2069/3629; A63B 69/36; A63B 69/3623
See application file for complete search history.

- 4,762,325 A * 8/1988 McCleery A63B 69/3608
2/209.13
- 4,796,892 A * 1/1989 Doerrfeld A63B 69/36
473/268
- 5,171,152 A * 12/1992 McCleery A63B 69/3608
2/209.13
- 5,211,400 A * 5/1993 Hall A63B 69/3676
473/268
- D349,937 S * 8/1994 Hill D21/791
- 5,338,037 A * 8/1994 Toyohara A63B 69/3623
434/252
- D359,334 S * 6/1995 Taylor D2/891
- D443,328 S * 6/2001 Martin D21/791
- 6,458,041 B1 * 10/2002 Brandt A63B 69/3676
473/265
- 8,206,235 B1 * 6/2012 Sardo A63B 69/3623
473/257
- 9,168,445 B2 * 10/2015 Jones A63B 69/3608

* cited by examiner

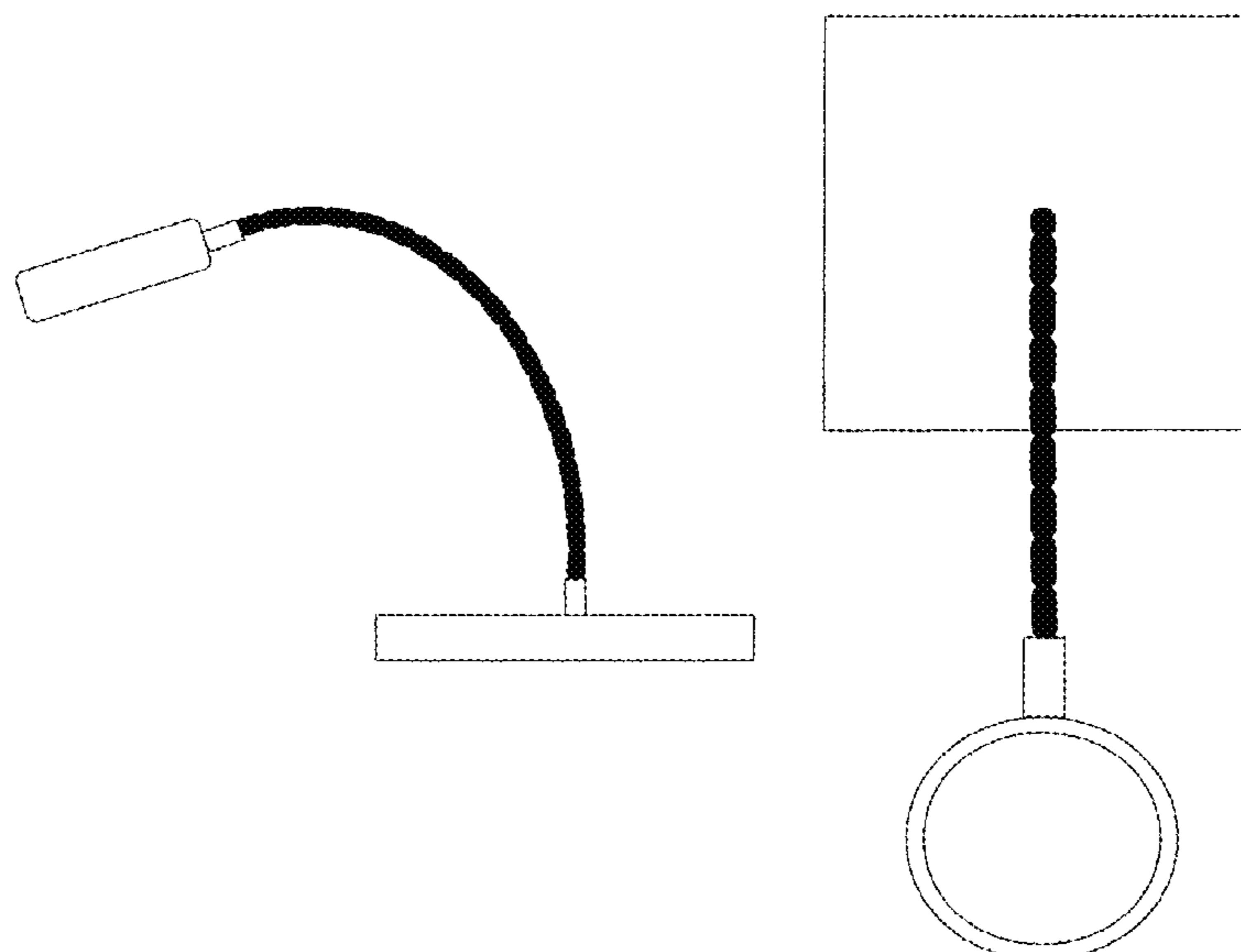
Primary Examiner — Mitchell Siegel

(57) **CLAIM**
The ornamental design for the eyeball golf trainer, as shown and described.

DESCRIPTION

FIG. 1 is a right side elevational view of the eyeball golf trainer showing my new design;
 FIG. 2 is a left side elevational view thereof;
 FIG. 3 is a top plan view thereof;
 FIG. 4 is a top plan view of the sighting ring, shown separately for clarity of illustration;
 FIG. 5 is an enlarged rear elevational view of FIG. 4;
 FIG. 6 is a side elevational view of the flexible tubing, shown separately for clarity of illustration;
 FIG. 7 is a top plan view of the base unit; shown separately for clarity of illustration;
 FIG. 8 is a side elevational view of FIG. 7; and,
 FIG. 9 is a bottom plan view of FIG. 7.

1 Claim, 6 Drawing Sheets



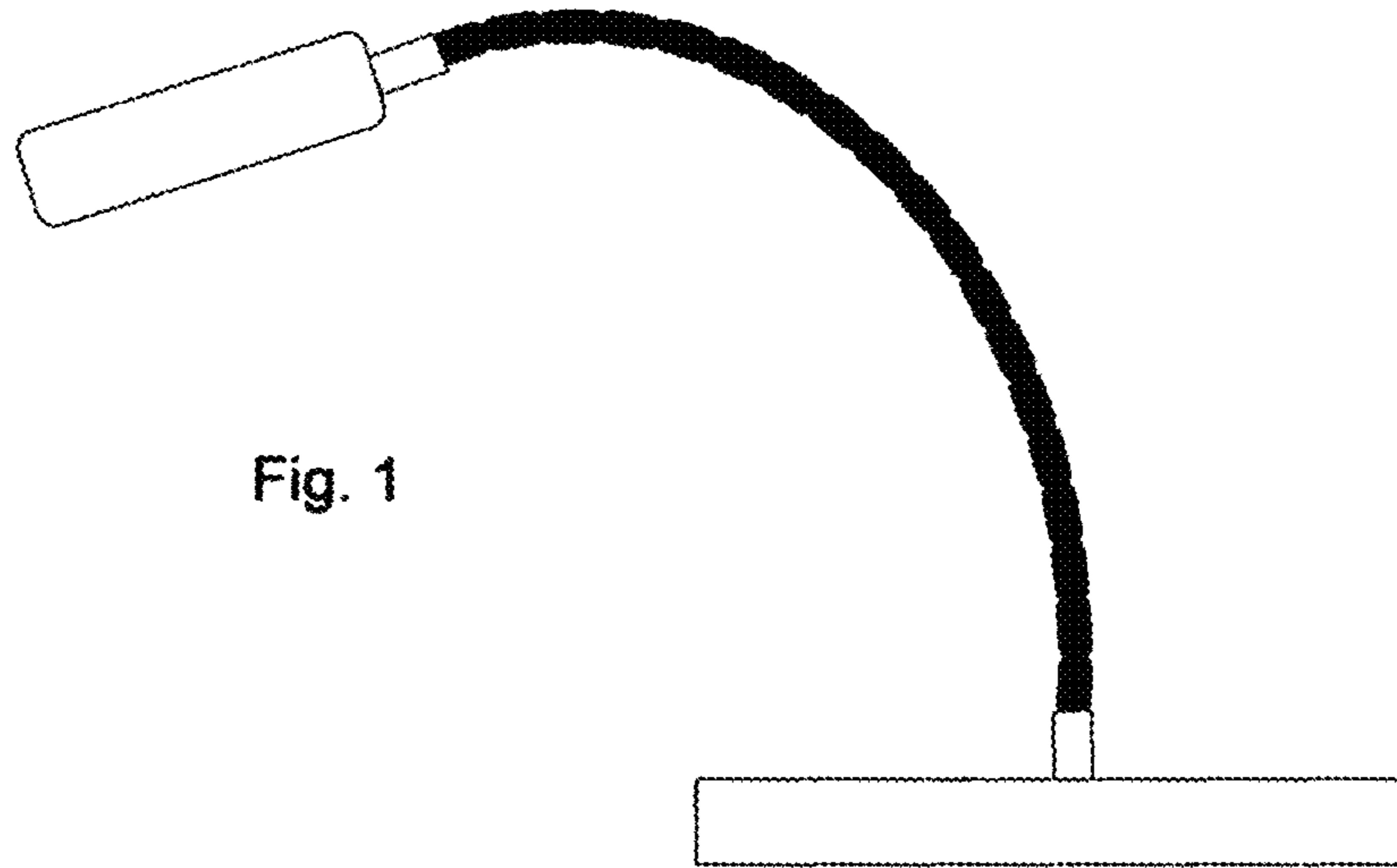


Fig. 1

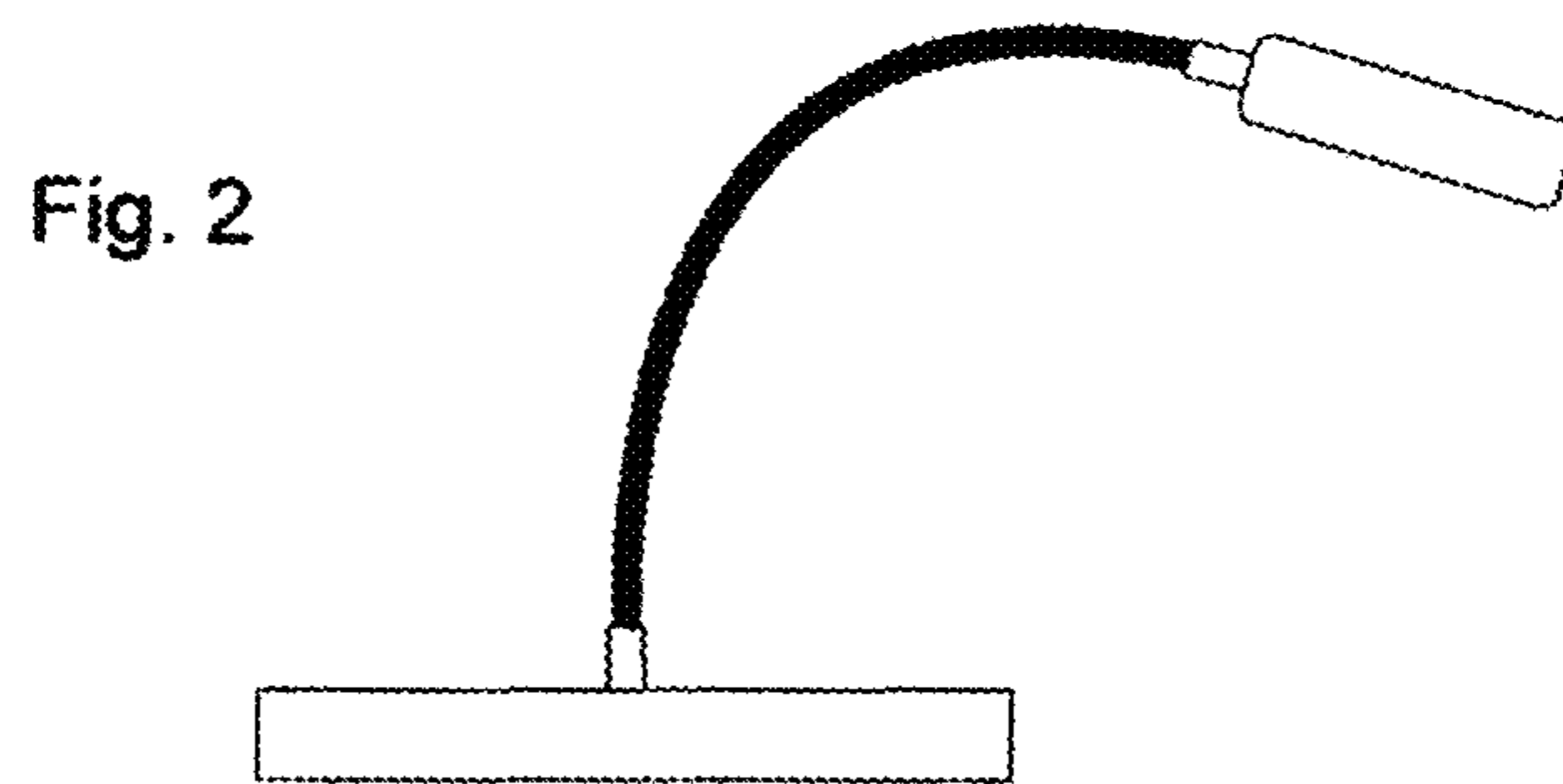


Fig. 2

Fig. 3

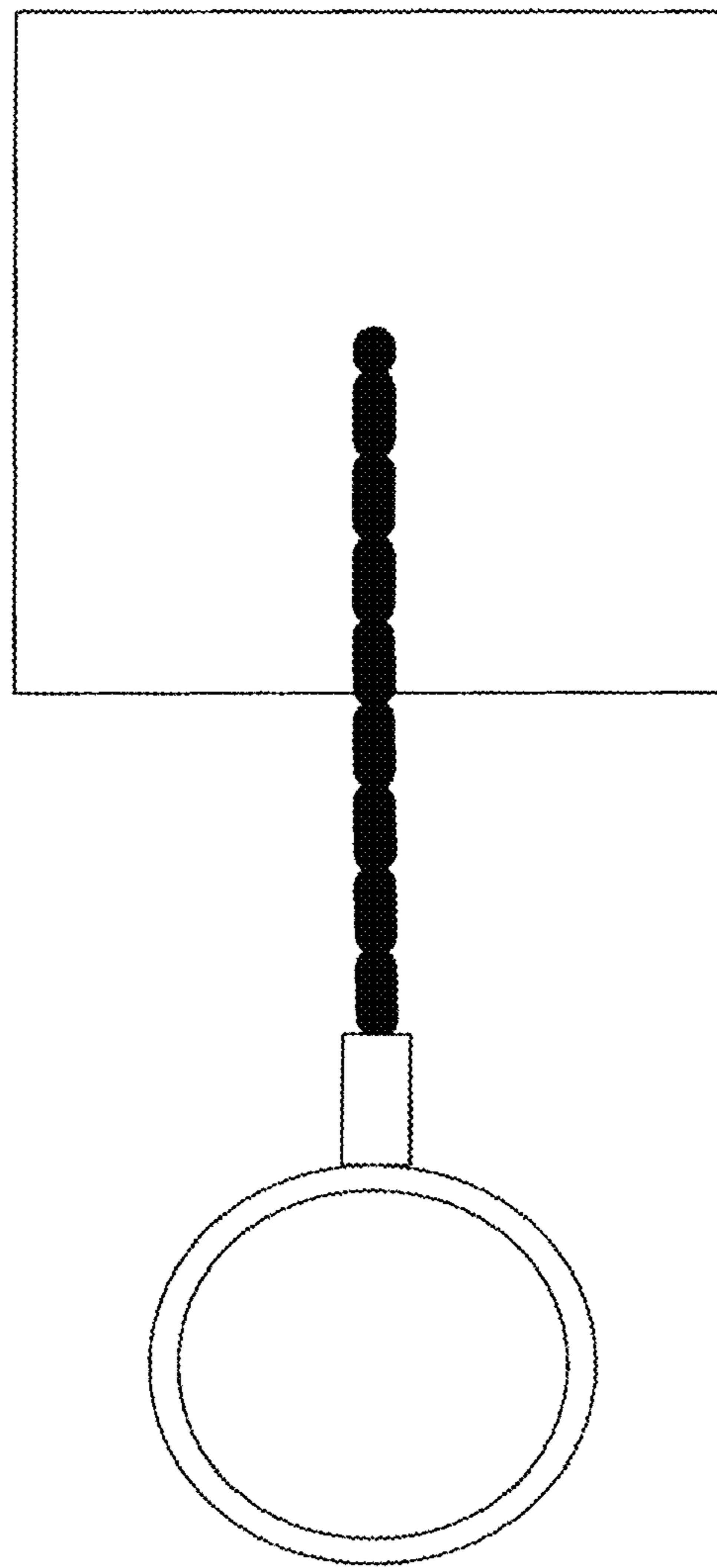


Fig. 4

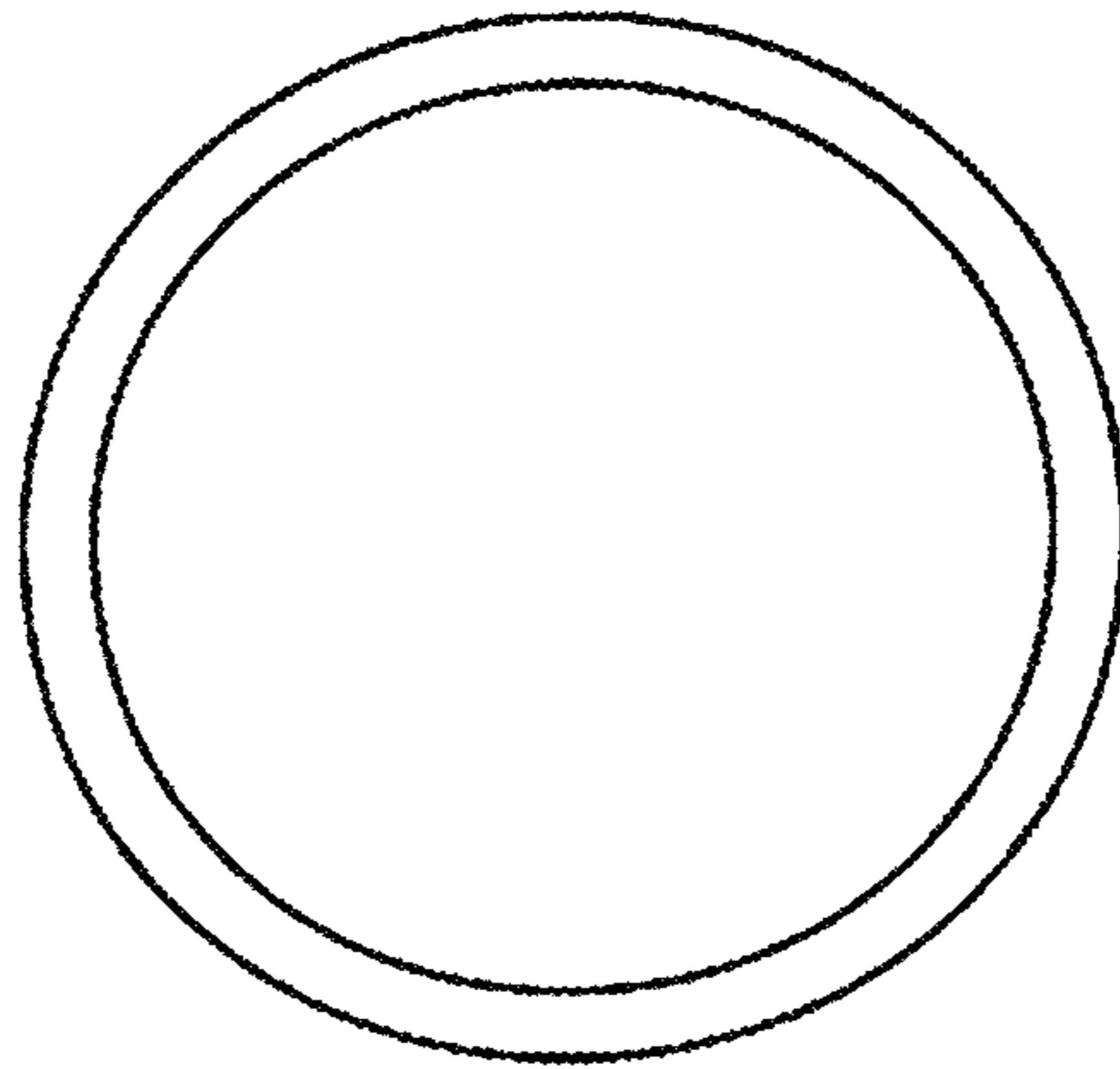
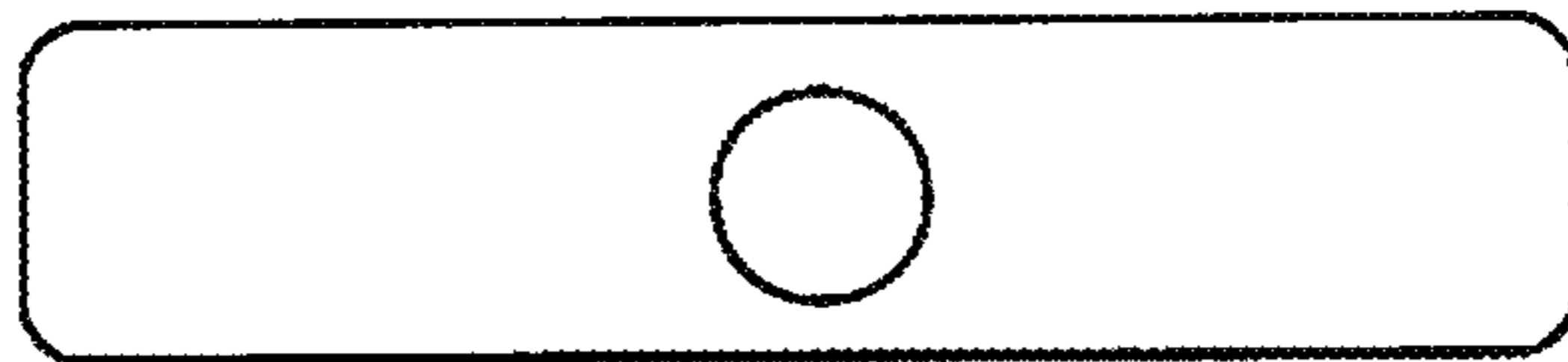


Fig. 5



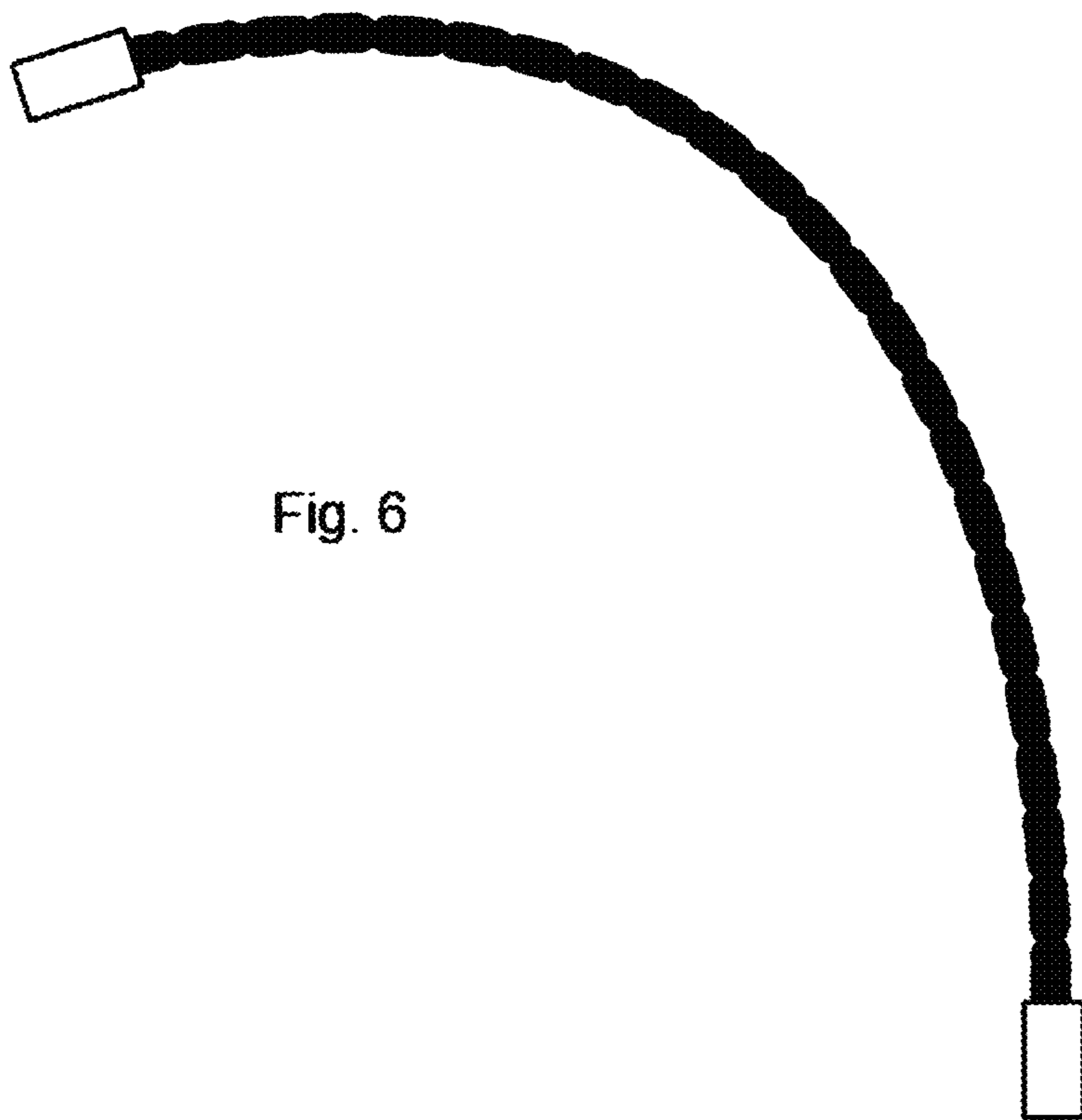


Fig. 6

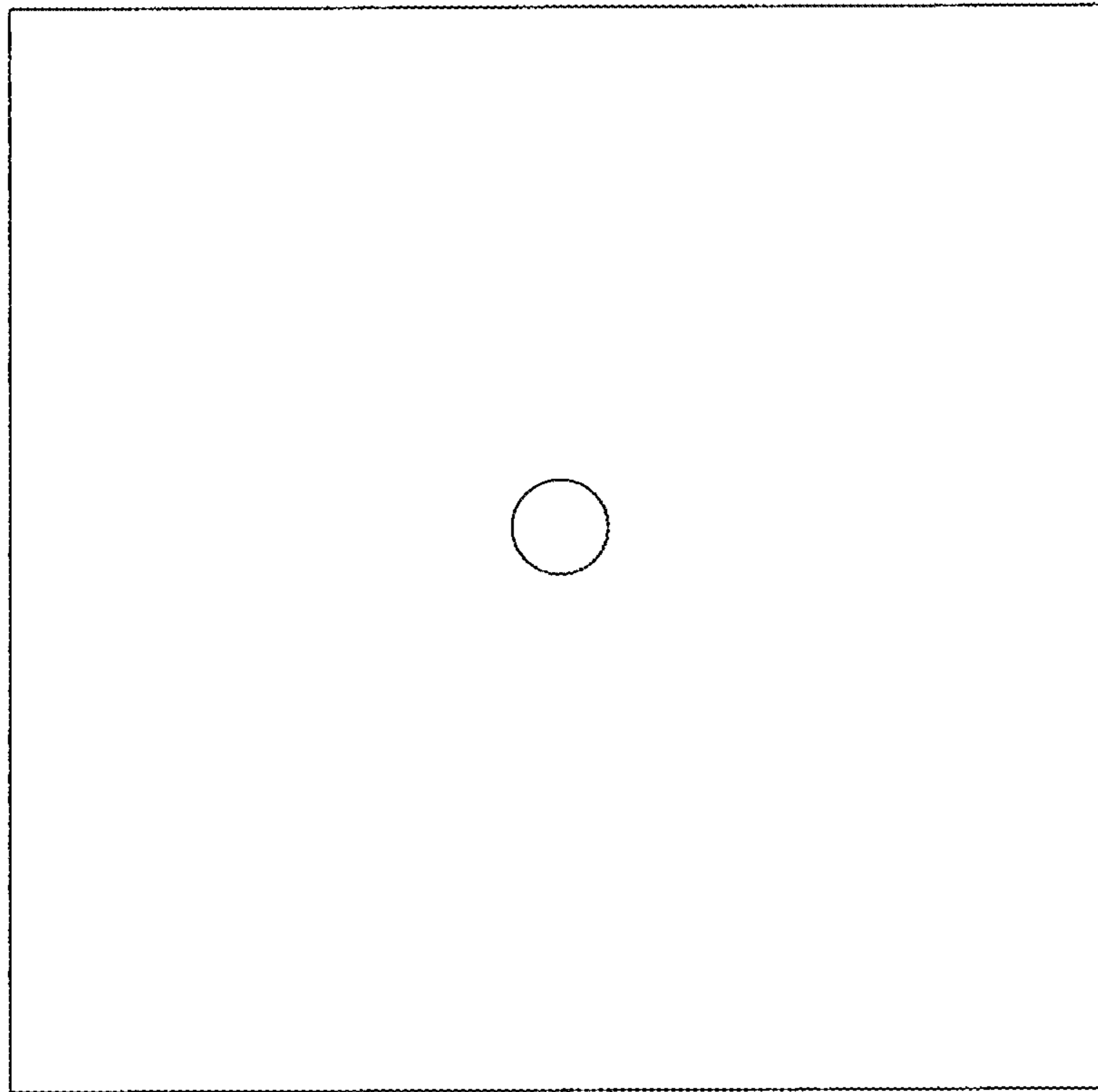


Fig. 7

Fig. 8



Fig. 9

