



US00D772993S

(12) **United States Design Patent** (10) **Patent No.:** **US D772,993 S**
Stover (45) **Date of Patent:** **** Nov. 29, 2016**

(54) **BULLET GOLF TEE**
(71) Applicant: **Michael M Stover**, ChampionsGate, FL (US)
(72) Inventor: **Michael M Stover**, ChampionsGate, FL (US)

(**) Term: **15 Years**

(21) Appl. No.: **29/541,215**

(22) Filed: **Oct. 1, 2015**

(51) **LOC (10) Cl.** **21-01**

(52) **U.S. Cl.**
USPC **D21/718**

(58) **Field of Classification Search**
USPC D21/717-719, 789-796
CPC A63B 57/10-57/40; A63B 57/0012;
A63B 69/0073; A63B 69/0075; A63B 47/00
See application file for complete search history.

(56) **References Cited**

U.S. PATENT DOCUMENTS

3,633,919 A * 1/1972 Liccardello A63B 57/0037
273/DIG. 8
4,516,780 A * 5/1985 Tabet A63B 57/10
473/398
D442,243 S * 5/2001 Cutino D21/717
D628,664 S * 12/2010 Dewberry D21/718
D752,696 S * 3/2016 Foley D21/718
D764,609 S * 8/2016 Cox D21/718
2005/0130769 A1* 6/2005 Olsen A63B 57/10
473/387

2005/0215356 A1* 9/2005 Bainbridge A63B 57/10
473/396
2006/0217217 A1* 9/2006 Mundziakiewicz ... A63B 57/10
473/396
2008/0132360 A1* 6/2008 Shin A63B 57/10
473/386
2009/0181806 A1* 7/2009 Wood A63B 57/0012
473/397

FOREIGN PATENT DOCUMENTS

DE 102014011295 A1 * 9/2015 A63B 57/15
FR 966197-002 * 4/1997
GB 427478 A * 4/1935 A63B 57/10
KR WO 2005037380 A1 * 4/2005 A63B 57/10
KR WO 2006109142 A1 * 10/2006 A63B 57/10
KR WO 2009075498 A2 * 6/2009 A63B 57/12

* cited by examiner

Primary Examiner — Catherine Tuttle
(74) *Attorney, Agent, or Firm* — Patent Law Offices of Rick Martin, P.C.

(57) **CLAIM**
The ornamental design for a bullet golf tee, as shown and described.

DESCRIPTION

FIG. 1 is a top perspective view showing my new design for a bullet golf tee;
FIG. 2 is a side elevation view thereof, all sides being the same of my new invention;
FIG. 3 is a top plan view thereof; and,
FIG. 4 is a bottom plan view thereof.

1 Claim, 2 Drawing Sheets

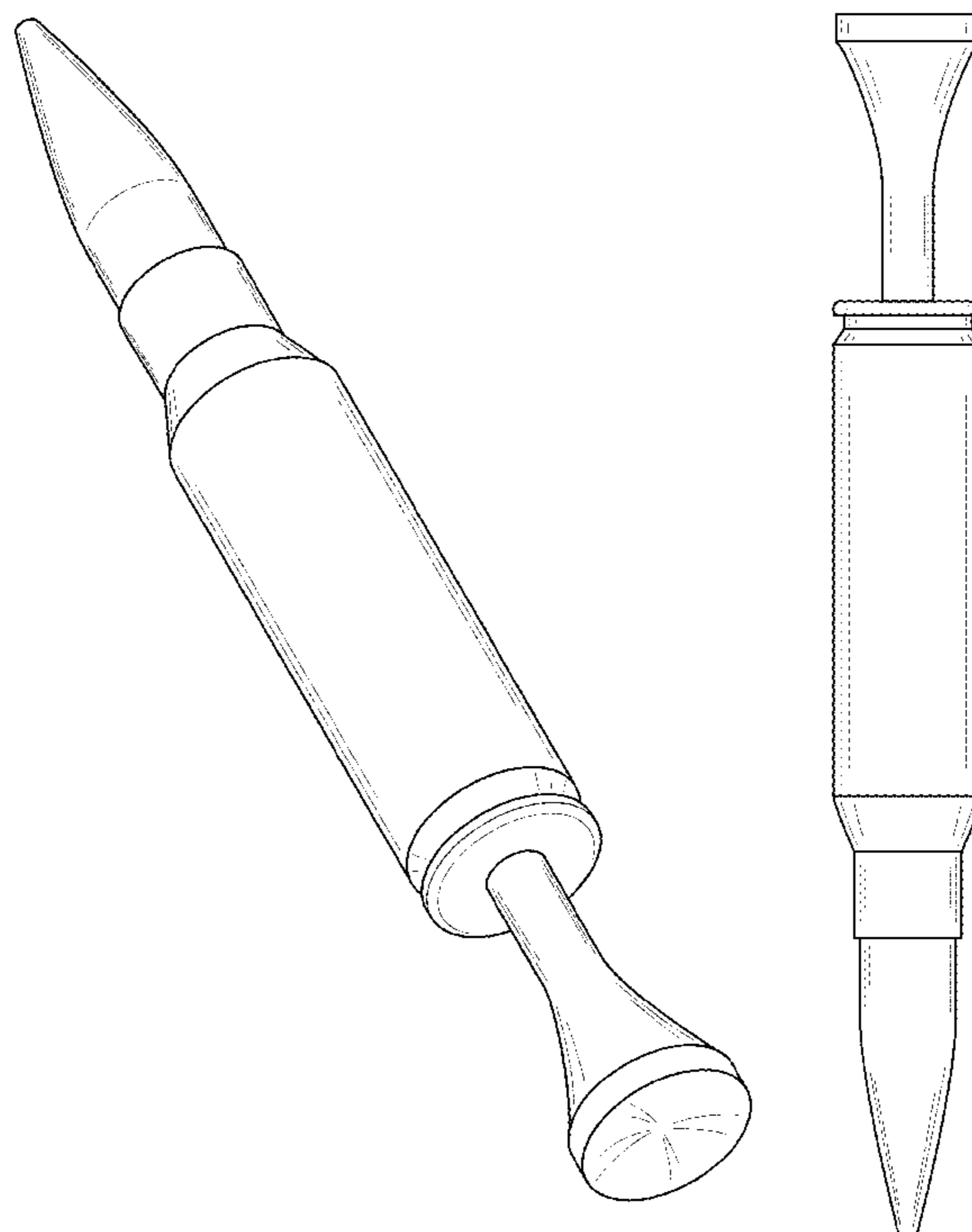


Fig. 1

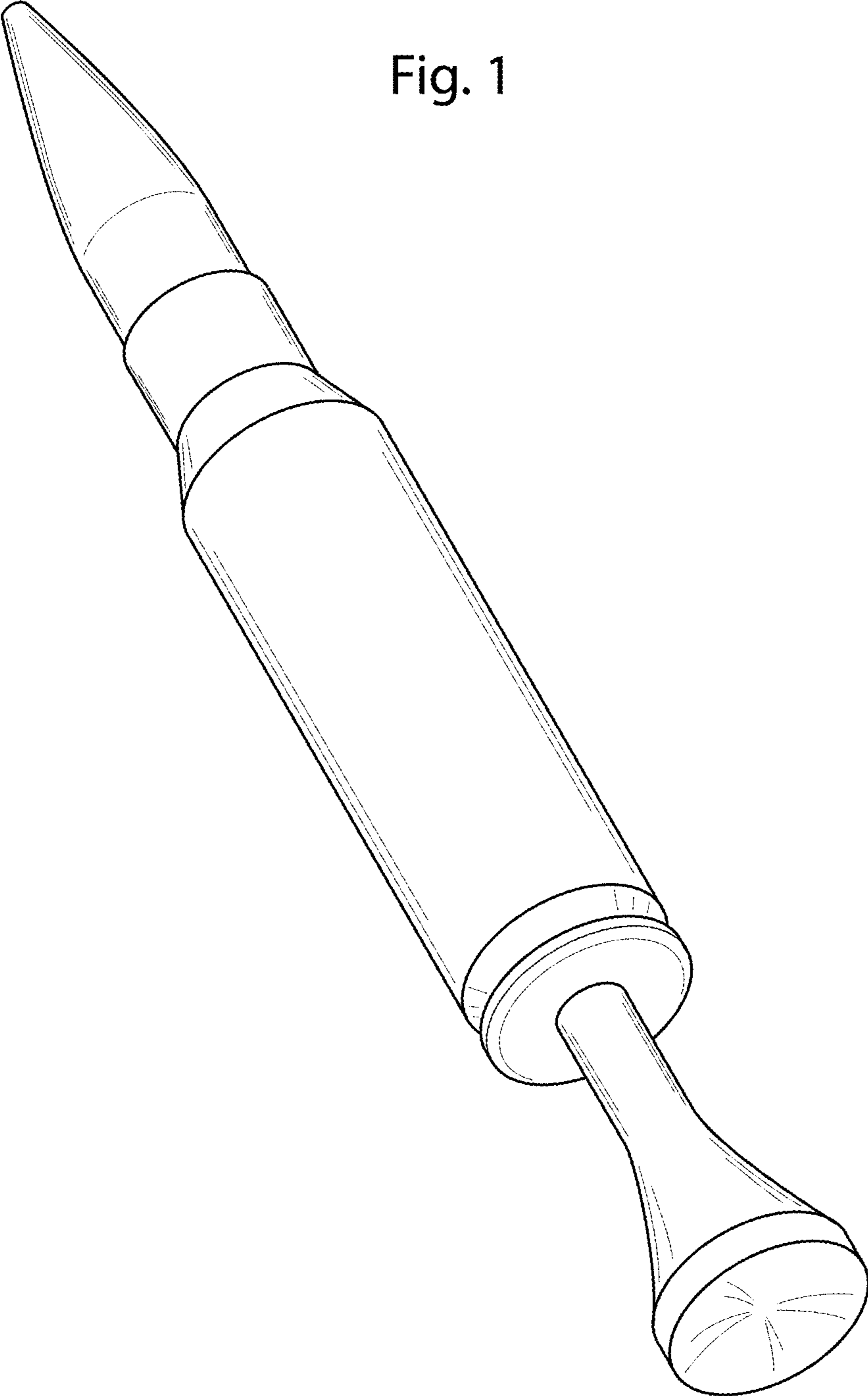


Fig. 2

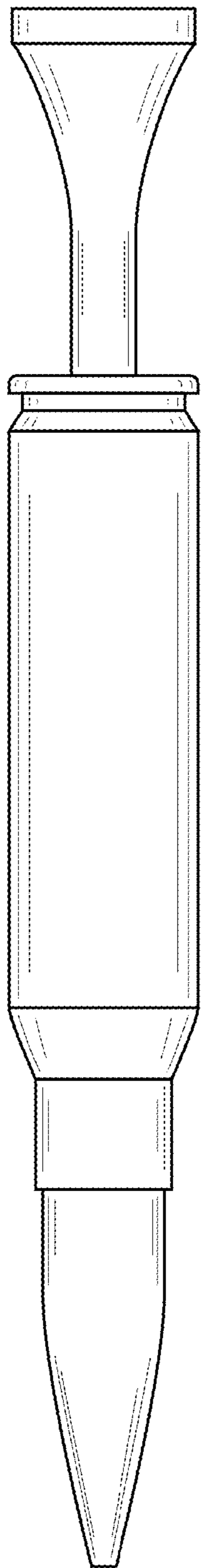


Fig. 3

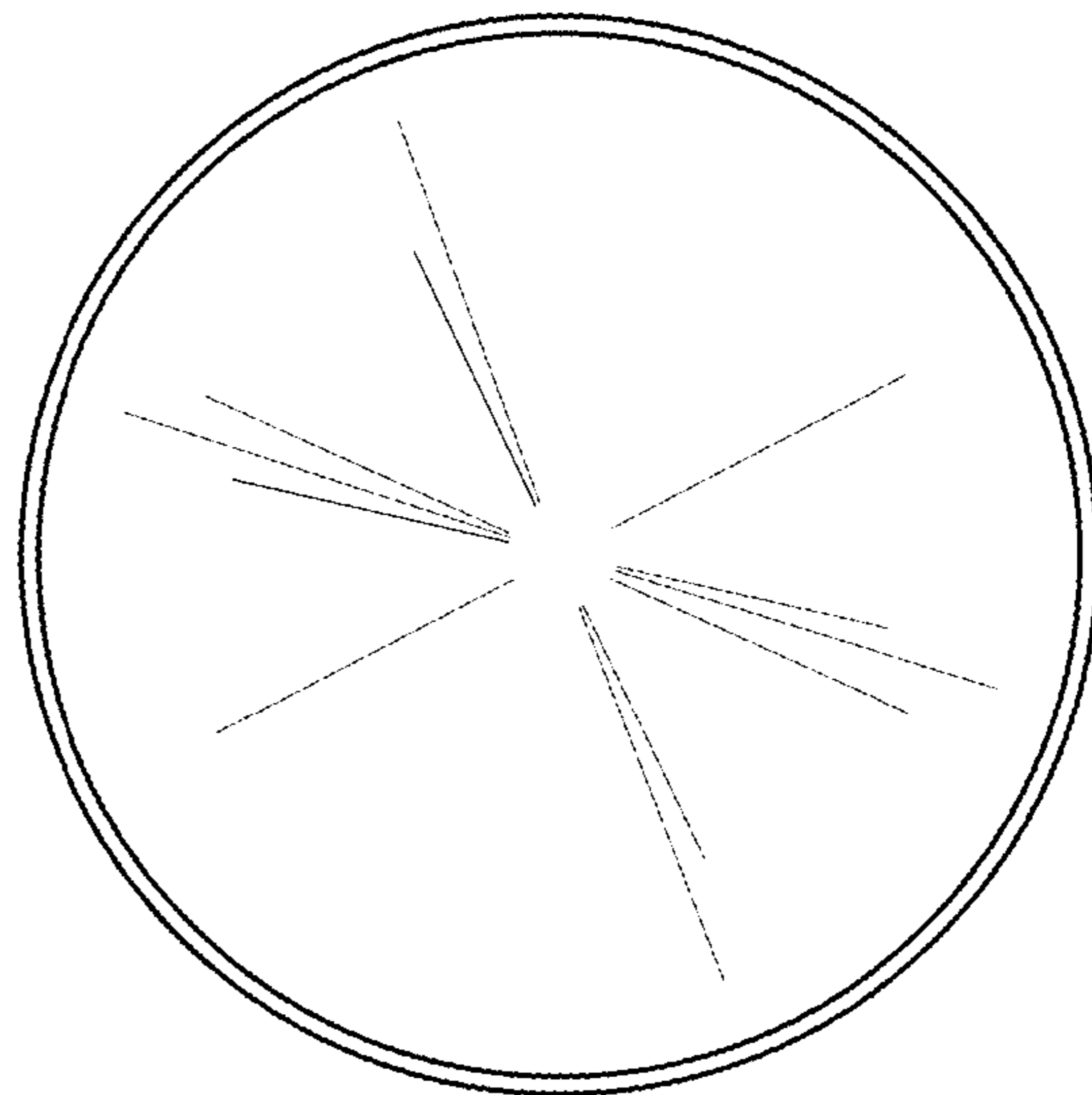


Fig. 4

