



US00D772992S

(12) **United States Design Patent** (10) **Patent No.:** **US D772,992 S**  
**Lagree et al.** (45) **Date of Patent:** **\*\* Nov. 29, 2016**

(54) **EXERCISE MACHINE WITH CARRIAGE**  
(71) Applicant: **SPX Fitness, Inc.**, Burbank, CA (US)  
(72) Inventors: **Sebastien Anthony Louis Lagree**, West Hollywood, CA (US); **Piotr Zin**, Newbury Park, CA (US); **Ross L. Carmichael**, Everett, WA (US)  
(73) Assignee: **SPX Fitness, Inc.**, Burbank, CA (US)

4,884,802 A \* 12/1989 Graham ..... A61H 1/006  
482/130  
D342,107 S \* 12/1993 Chang ..... D21/669  
D373,393 S \* 9/1996 Montijo ..... D21/676  
D379,388 S \* 5/1997 Montijo ..... D21/694  
D546,909 S \* 7/2007 Flick ..... D21/694  
D703,279 S \* 4/2014 Ho ..... D21/673  
D707,763 S \* 6/2014 Cutler ..... D21/669  
D728,045 S \* 4/2015 Hubler ..... D21/694

(\*\*) Term: **14 Years**  
(21) Appl. No.: **29/526,012**  
(22) Filed: **May 5, 2015**

(51) **LOC (10) Cl.** ..... **21-02**  
(52) **U.S. Cl.**

USPC ..... **D21/690**

(58) **Field of Classification Search**  
USPC ..... 482/54, 140, 142, 123, 121, 122, 129,  
482/130, 96, 52, 57, 907, 126, 131, 145,  
482/144, 112, 134, 26, 27, 77, 125, 132, 92,  
482/95, 91, 128, 68, 141, 53, 133, 138;  
D21/687, 686, 669, 673, 690, 691, 694,  
D21/676, 674, 670, 663, 662, 423, 695,  
D21/688; D24/183, 188; 297/175, 445.1,  
297/423.38, 230.1; 601/24, 49; 606/240,  
606/244, 242; 5/613, 618, 624; 473/197,  
473/422; 280/47.371, 79.6; D14/447  
CPC ..... A63B 22/02; A63B 22/0023; A63B  
22/0235; A63B 2210/50; A63B 21/4029;  
A63B 22/0285; A63B 22/0242; A63B  
2225/30; A63B 21/078; A61H 2203/0493;  
A61H 1/0292; A61H 2201/1284; A61H  
1/0222  
See application file for complete search history.

(56) **References Cited**  
U.S. PATENT DOCUMENTS

D282,386 S \* 1/1986 Dealey ..... D21/669  
D303,556 S \* 9/1989 Trulaske ..... D21/669

**OTHER PUBLICATIONS**

Supraformer by Lagree Fitness dated No date given. Found online [Apr. 28, 2016] <https://www.lagreefitness.com/equipment-full/6>.\*

\* cited by examiner

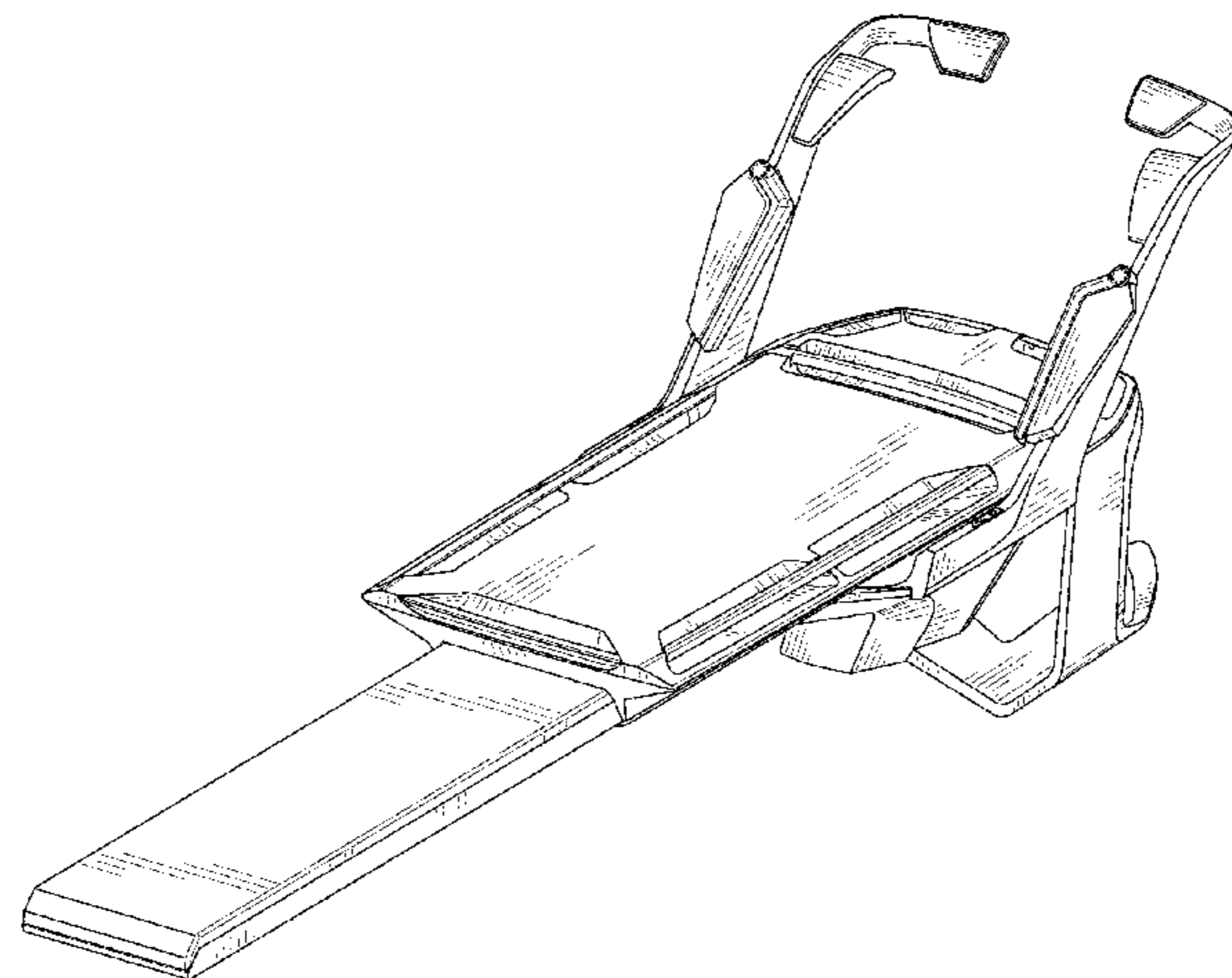
*Primary Examiner* — Robert M Spear  
*Assistant Examiner* — Ryan Harvey  
(74) *Attorney, Agent, or Firm* — Neustel Law Offices;  
Michael S. Neustel

(57) **CLAIM**  
The ornamental design for an exercise machine with carriage, as shown and described.

**DESCRIPTION**

FIG. 1 is a perspective view of an exercise machine with carriage showing our new design;  
FIG. 2 is a rear view thereof;  
FIG. 3 is a front view thereof;  
FIG. 4 is a right view thereof;  
FIG. 5 is a left view thereof;  
FIG. 6 is a top view thereof; and,  
FIG. 7 is a bottom view thereof.  
The broken line portions of the drawings are included to show unclaimed subject matter and form no part of the claimed design.

**1 Claim, 6 Drawing Sheets**



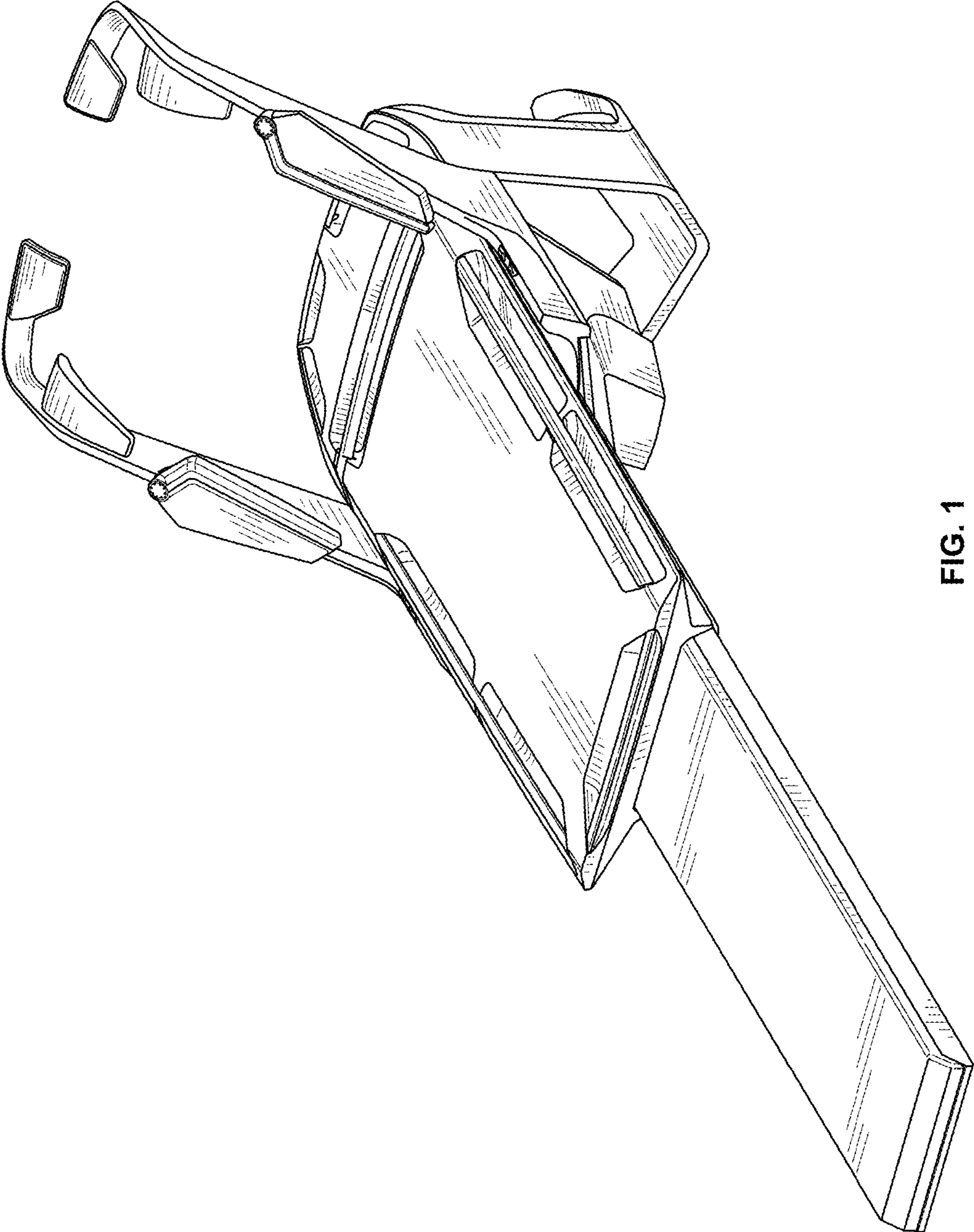


FIG. 1

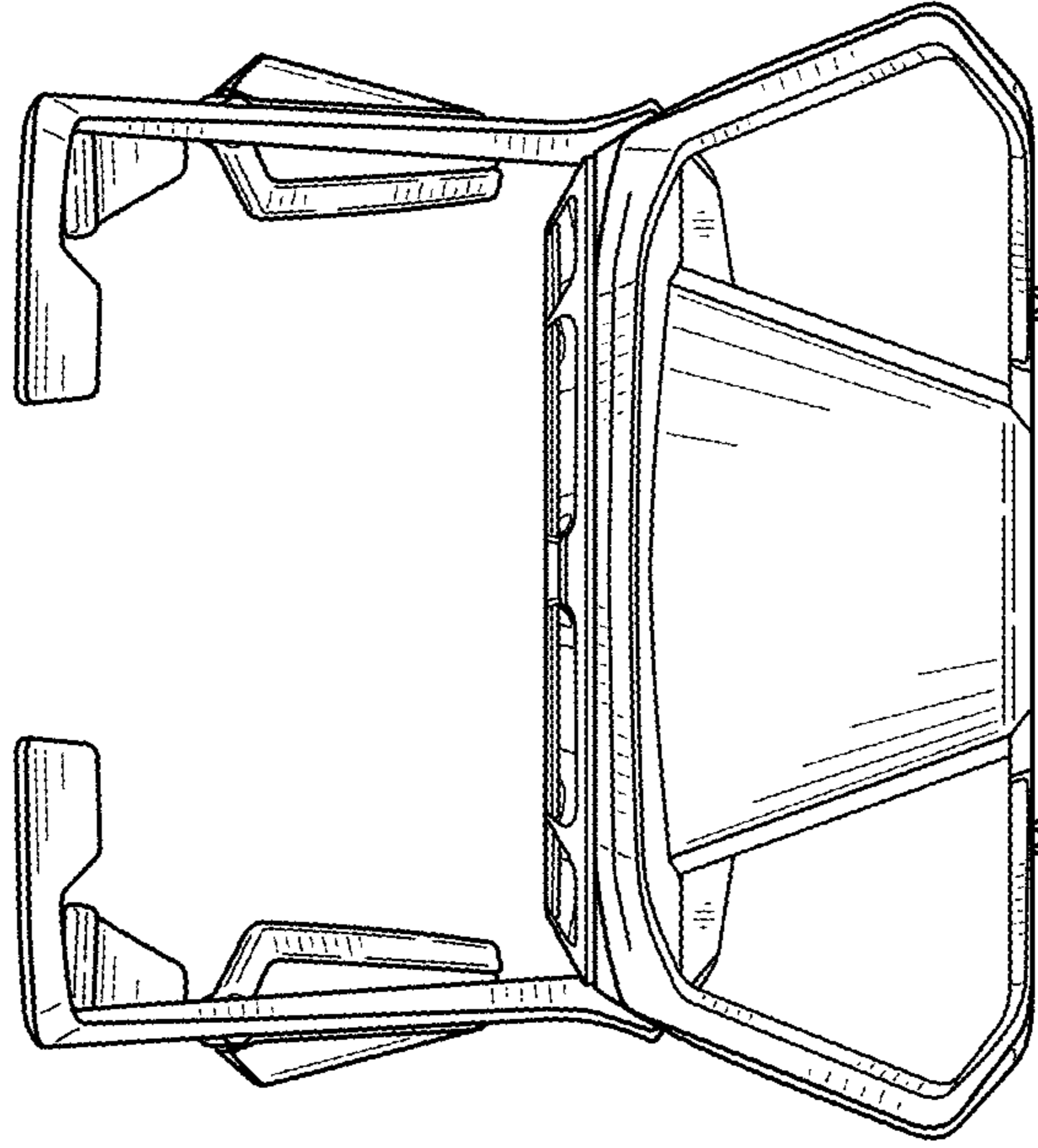


FIG. 3

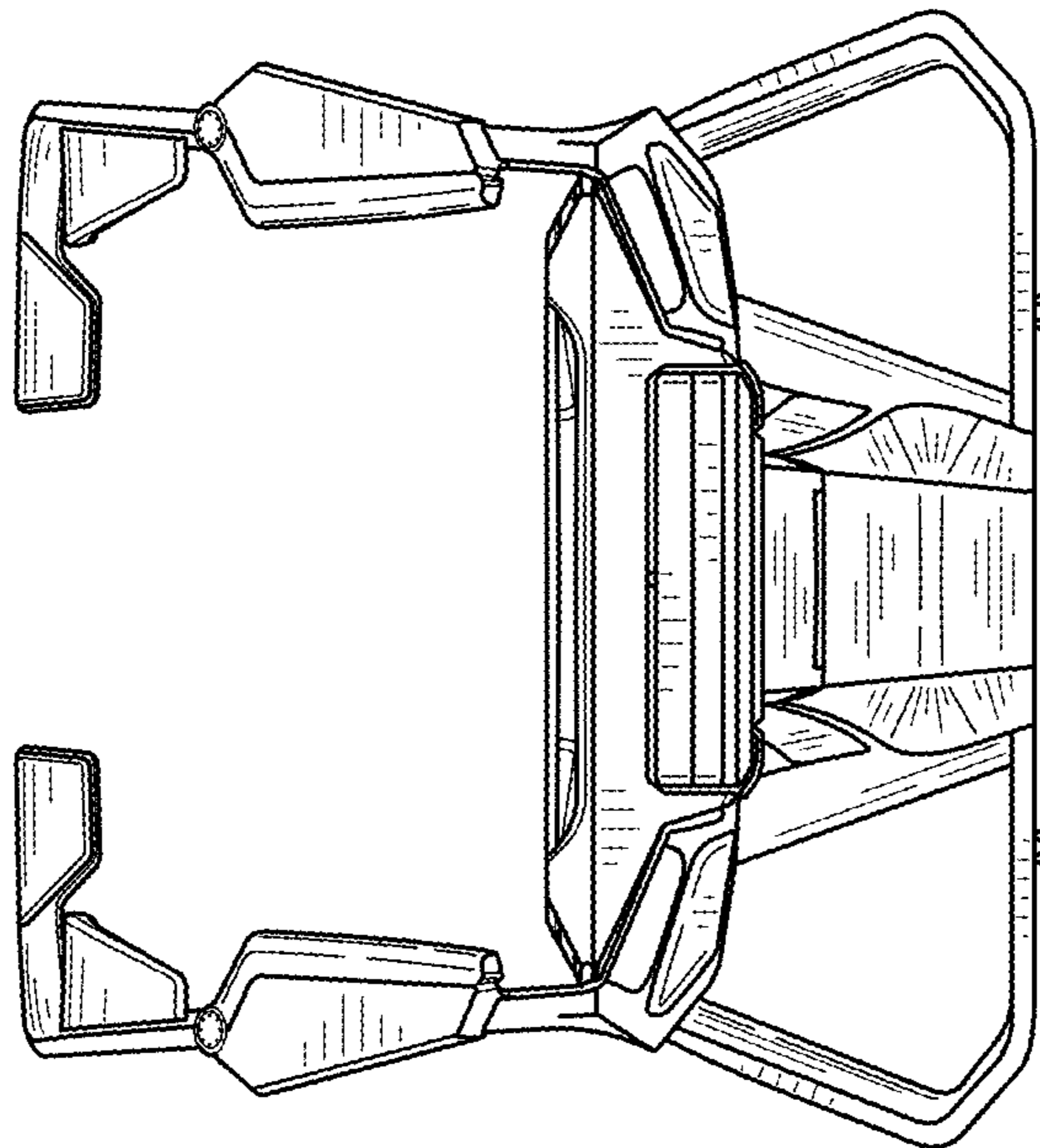


FIG. 2

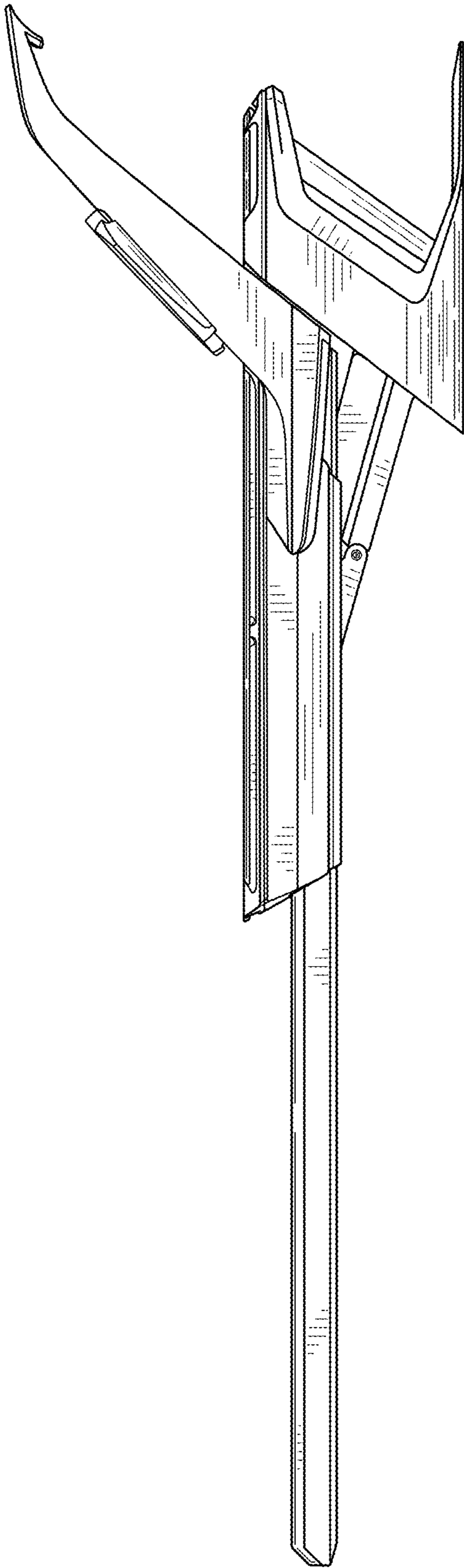


FIG. 4

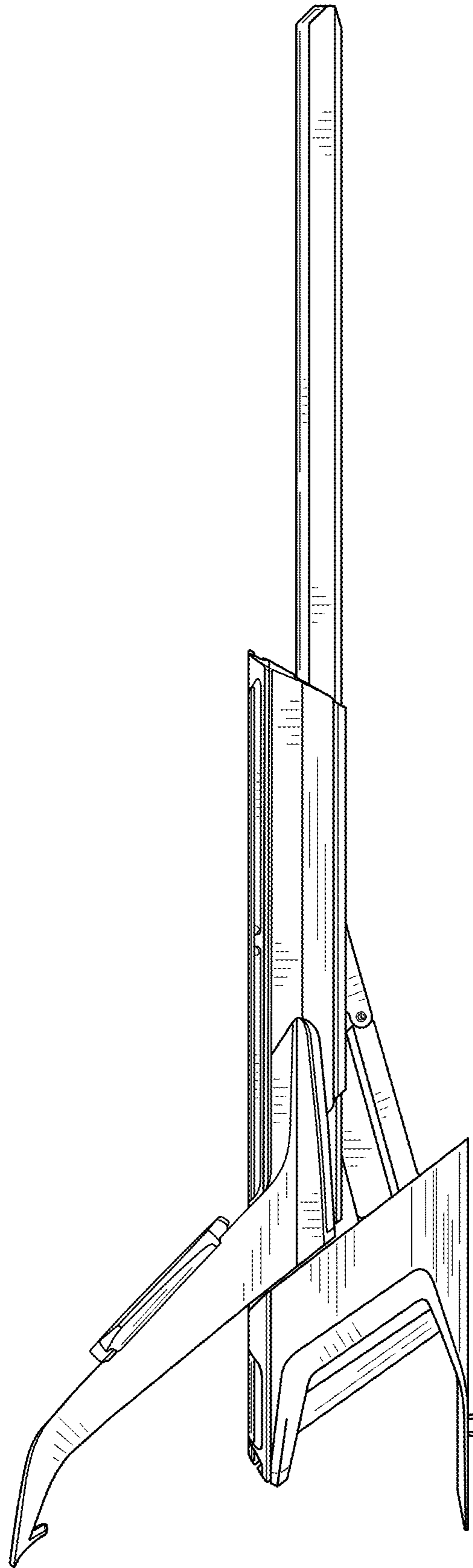


FIG. 5

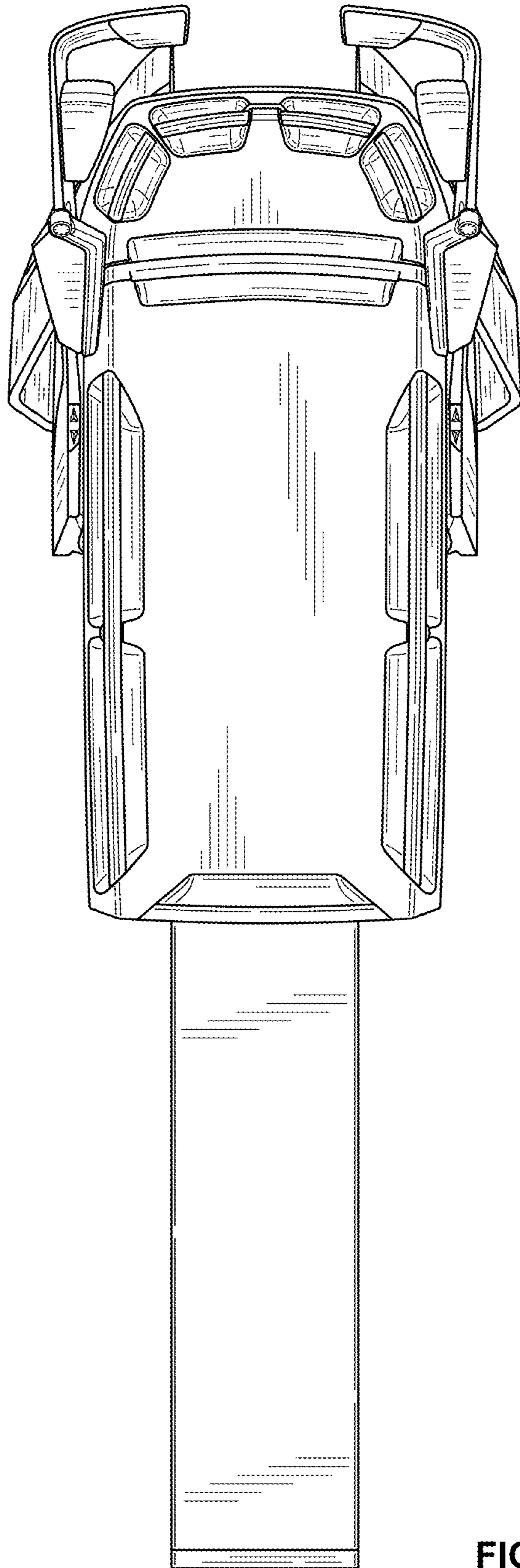


FIG. 6

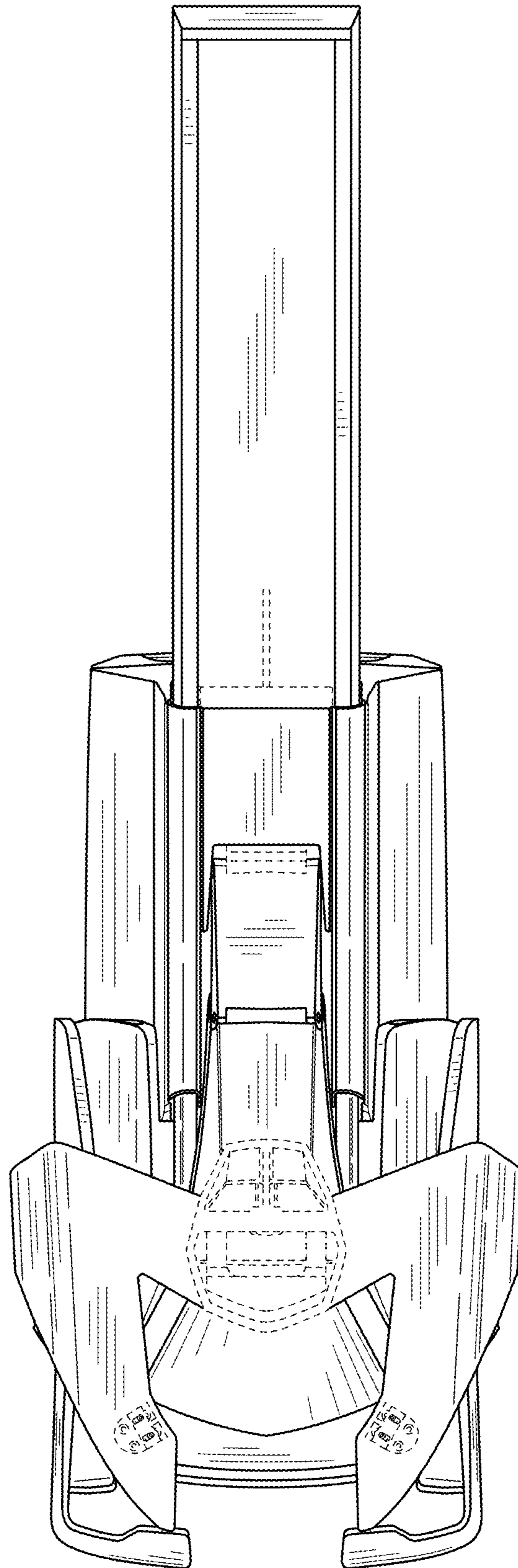


FIG. 7