



US00D772991S

(12) **United States Design Patent**
Caubel et al.

(10) **Patent No.:** **US D772,991 S**

(45) **Date of Patent:** **** Nov. 29, 2016**

(54) **FLYING TOY**

(71) Applicant: **PARROT**, Paris (FR)

(72) Inventors: **Christine Caubel**, Paris (FR); **Flavien Morra**, Paris (FR); **Bertrand Vignau-Lous**, Paris (FR)

(73) Assignee: **Parrot Drones**, Paris (FR)

(**) Term: **14 Years**

(21) Appl. No.: **29/488,136**

(22) Filed: **Apr. 16, 2014**

(30) **Foreign Application Priority Data**

Apr. 2, 2014 (EM) 002438705

(51) **LOC (10) Cl.** **21-01**

(52) **U.S. Cl.**
USPC **D21/441**; D12/16.1

(58) **Field of Classification Search**
USPC D12/16.1, 19, 322, 323, 326, 327, 328,
D12/329, 330, 339, 341, 342, 343, 344;
D21/436, 438, 439, 440, 441, 446, 447,
D21/448, 449, 450, 453
CPC B64C 39/00; B64C 30/00; B64C 29/00;
B64C 5/06

See application file for complete search history.

(56) **References Cited**

U.S. PATENT DOCUMENTS

3,053,480 A * 9/1962 Vanderlip B64C 27/54
244/17.13
3,768,757 A * 10/1973 Eickmann B64C 27/12
244/17.23
5,082,079 A * 1/1992 Lissaman B64C 27/20
180/118
6,260,796 B1 * 7/2001 Klingensmith G05D 1/0858
244/17.11
D628,658 S * 12/2010 Wurm D21/442
D648,808 S * 11/2011 Seydoux D21/441
D648,809 S * 11/2011 Seydoux D21/441

D659,771 S * 5/2012 Seydoux D21/441
D691,514 S * 10/2013 Wang D12/16.1
8,662,438 B2 * 3/2014 Savoye A63H 27/12
244/17.11
8,967,029 B1 * 3/2015 Calvert F41H 13/00
239/171
9,061,763 B1 * 6/2015 Christensen A63H 17/28
9,099,902 B2 * 8/2015 Chen H02K 5/225
D741,751 S * 10/2015 Klaptocz D12/16.1
2007/0105474 A1 * 5/2007 Gotou A63H 27/02
446/37
2010/0243794 A1 * 9/2010 Jermyn A63H 27/12
244/17.23
2012/0056041 A1 * 3/2012 Rhee B64C 25/32
244/4 R

(Continued)

OTHER PUBLICATIONS

Parrot Drones. dated 2015. found online Nov. 12, 2015. <http://www.parrot.com/usa/gallery/bebop-drone/>.*

Primary Examiner — Robert M Spear

Assistant Examiner — Marissa J Cash

(74) *Attorney, Agent, or Firm* — Marshall, Gerstein & Borun LLP

(57) **CLAIM**

The ornamental design for a flying toy, as shown and described.

DESCRIPTION

FIG. 1 is a three-quarter front view of a flying toy that has the design.

FIG. 2 is a front view of the flying toy.

FIG. 3 is a rear view of the flying toy.

FIG. 4 is a left-side view of the flying toy.

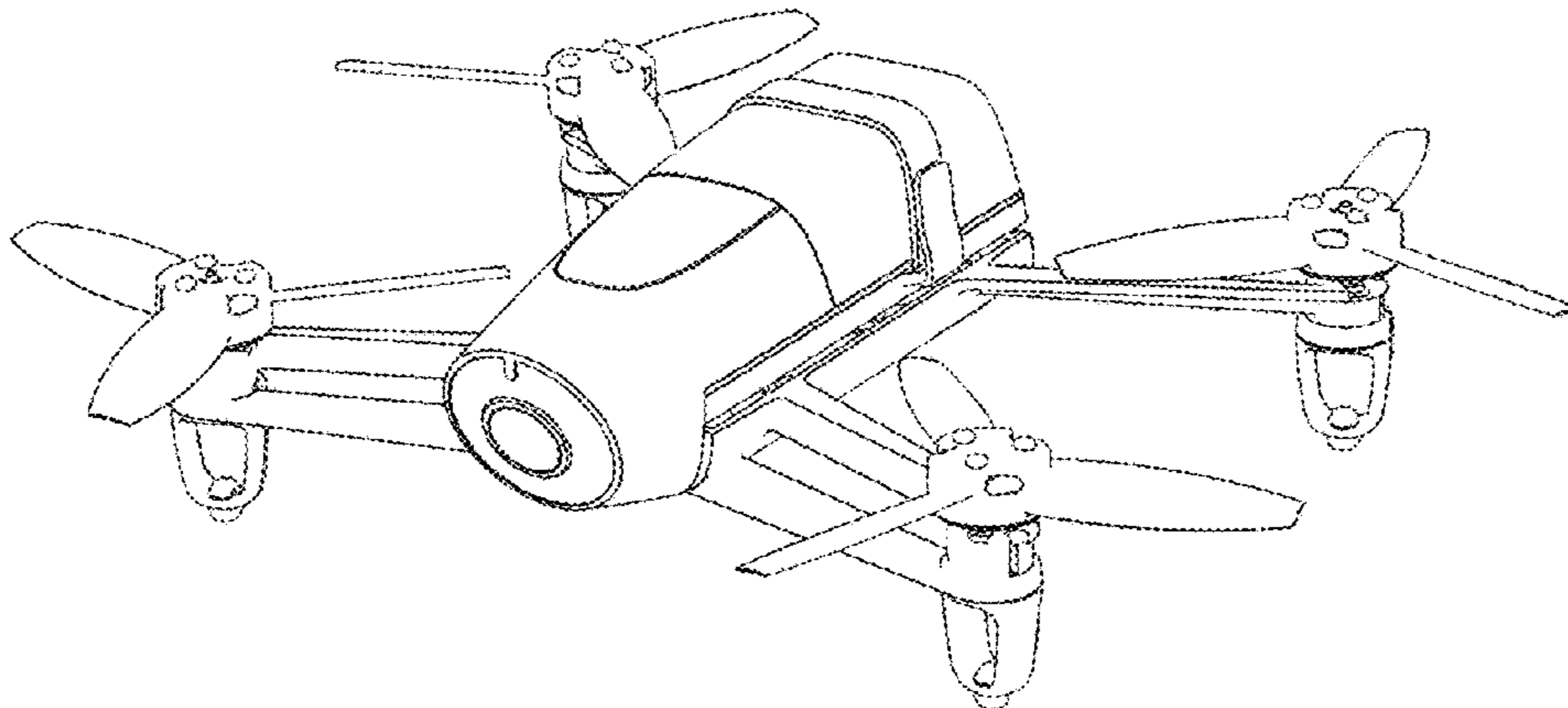
FIG. 5 is a right-side view of the flying toy.

FIG. 6 is a top view of the flying toy; and,

FIG. 7 is a bottom view of the flying toy.

The broken lines represent elements of the flying toy that are not part of the claimed design, and form no part of the claimed design.

1 Claim, 5 Drawing Sheets



US D772,991 S

Page 2

(56)

References Cited

U.S. PATENT DOCUMENTS

2012/0234969 A1*	9/2012	Savoie	A63H 27/12	244/17.13	
2012/0241555 A1*	9/2012	Savoie	A63H 27/12	244/54	* cited by examiner
2015/0129711 A1*	5/2015	Caubel	B64C 27/08	244/17.23	
2015/0321759 A1*	11/2015	Caubel	B64C 39/024	244/17.23	

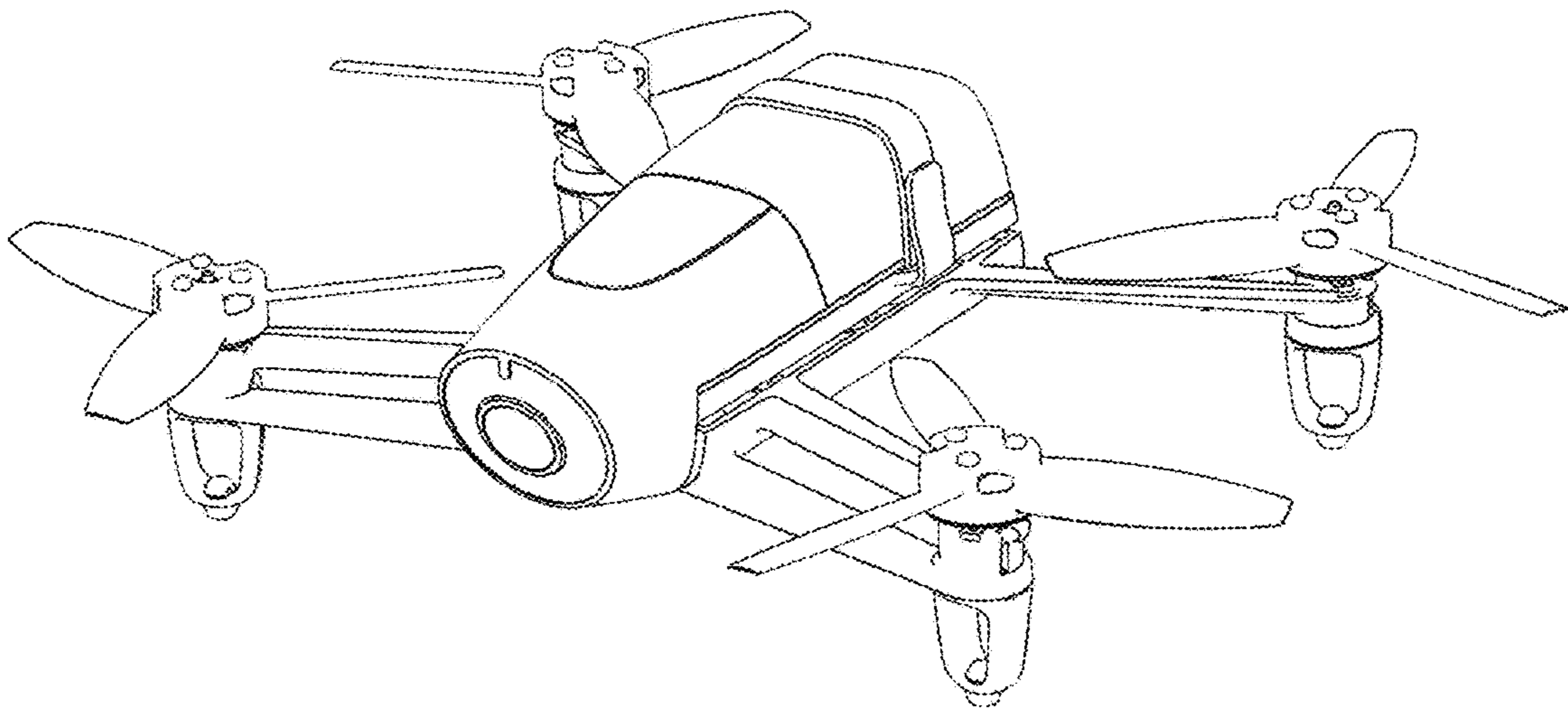


FIG. 1

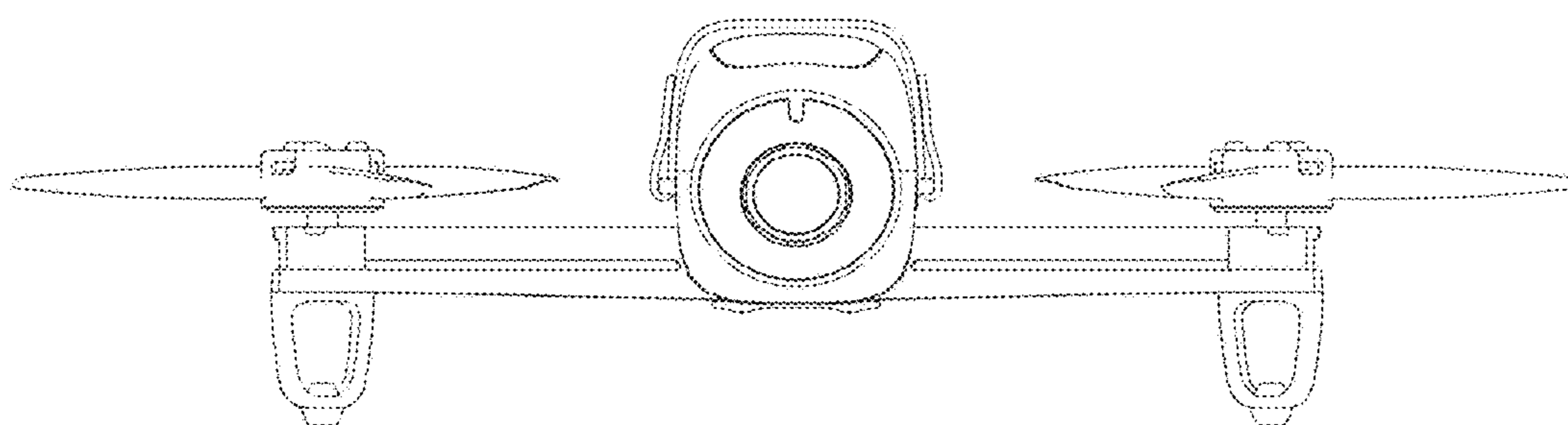


FIG. 2

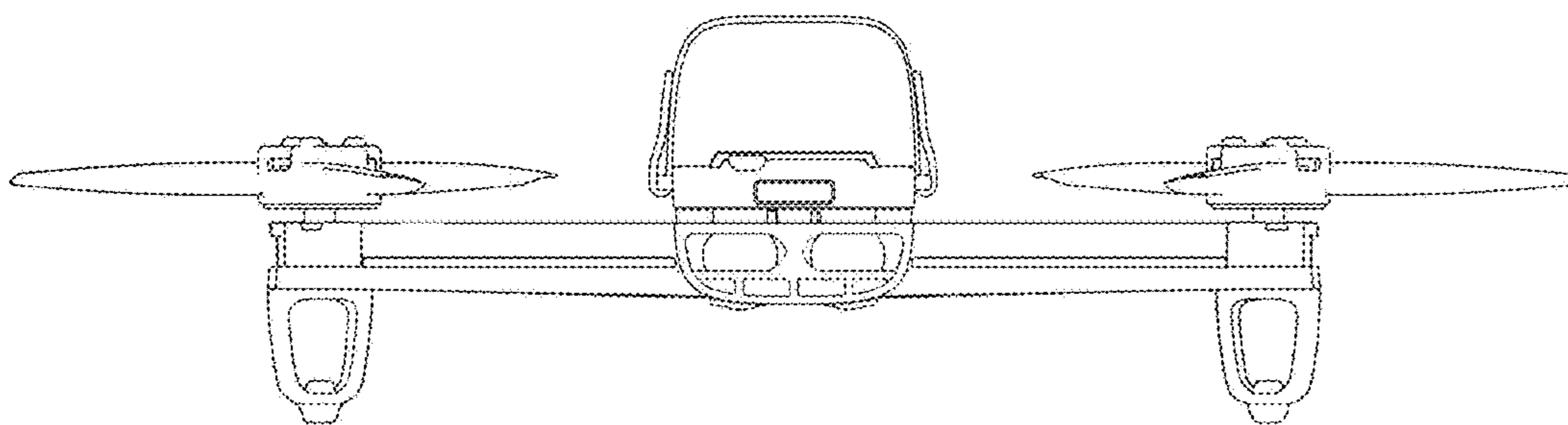


FIG. 3

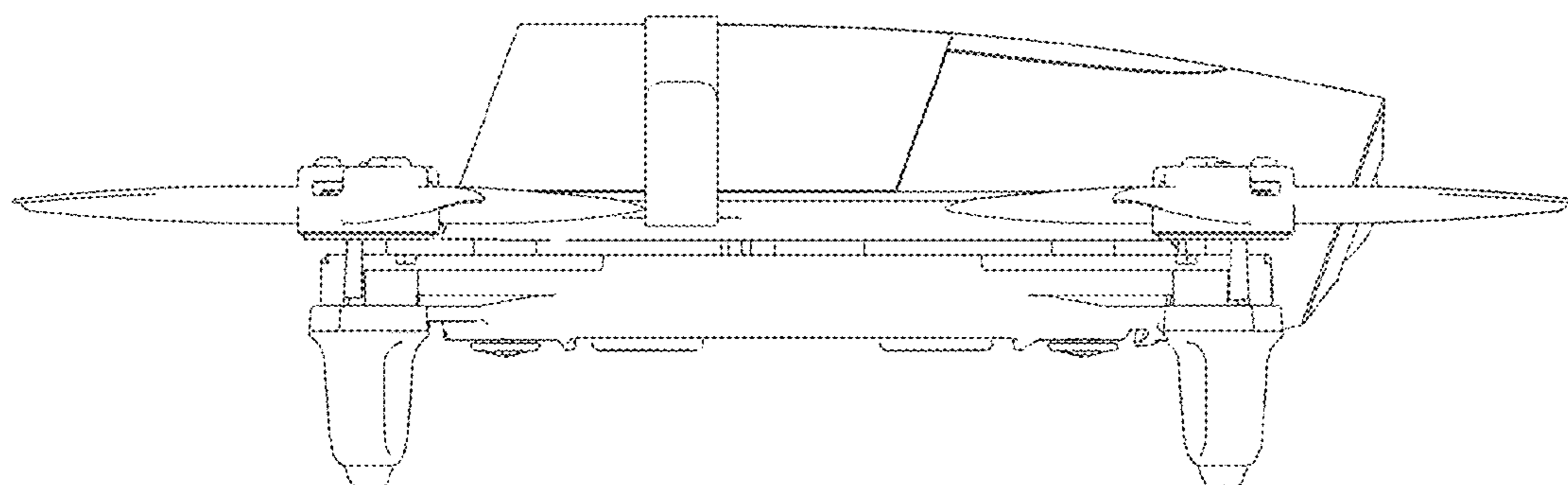


FIG. 4

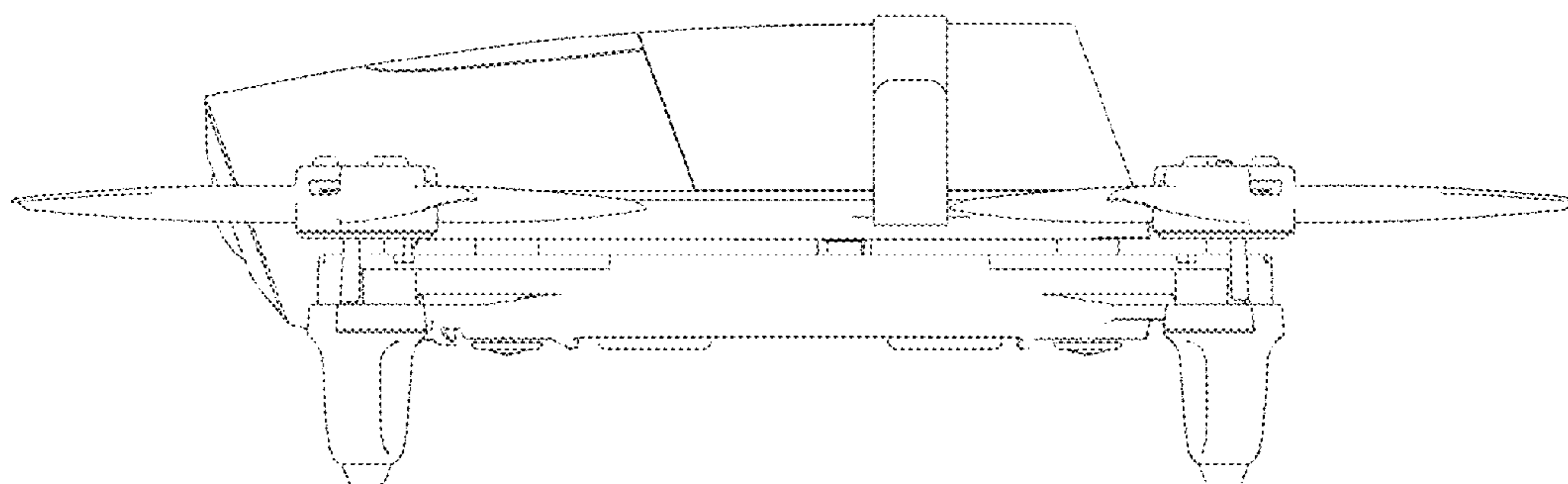


FIG. 5

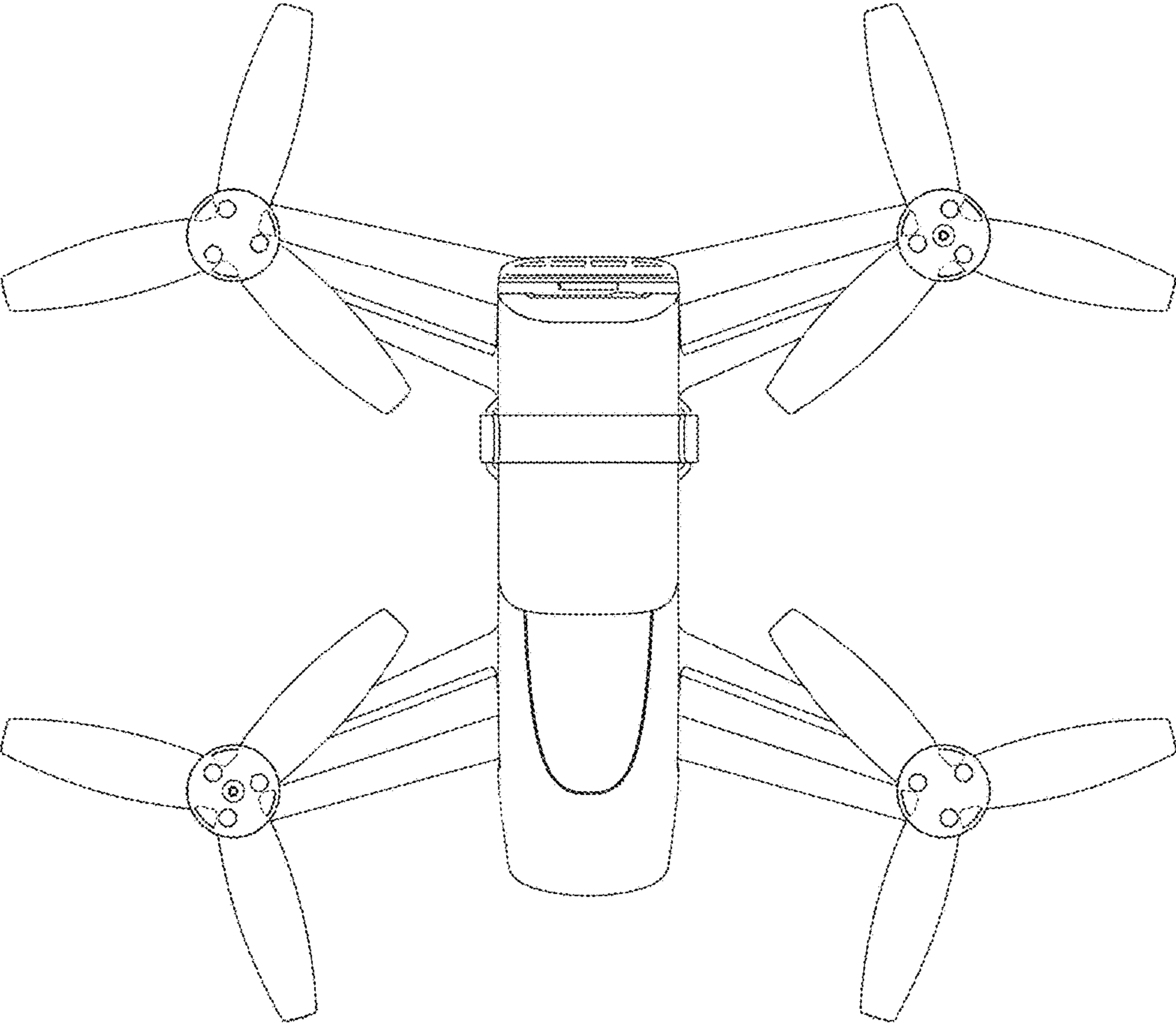


FIG. 6

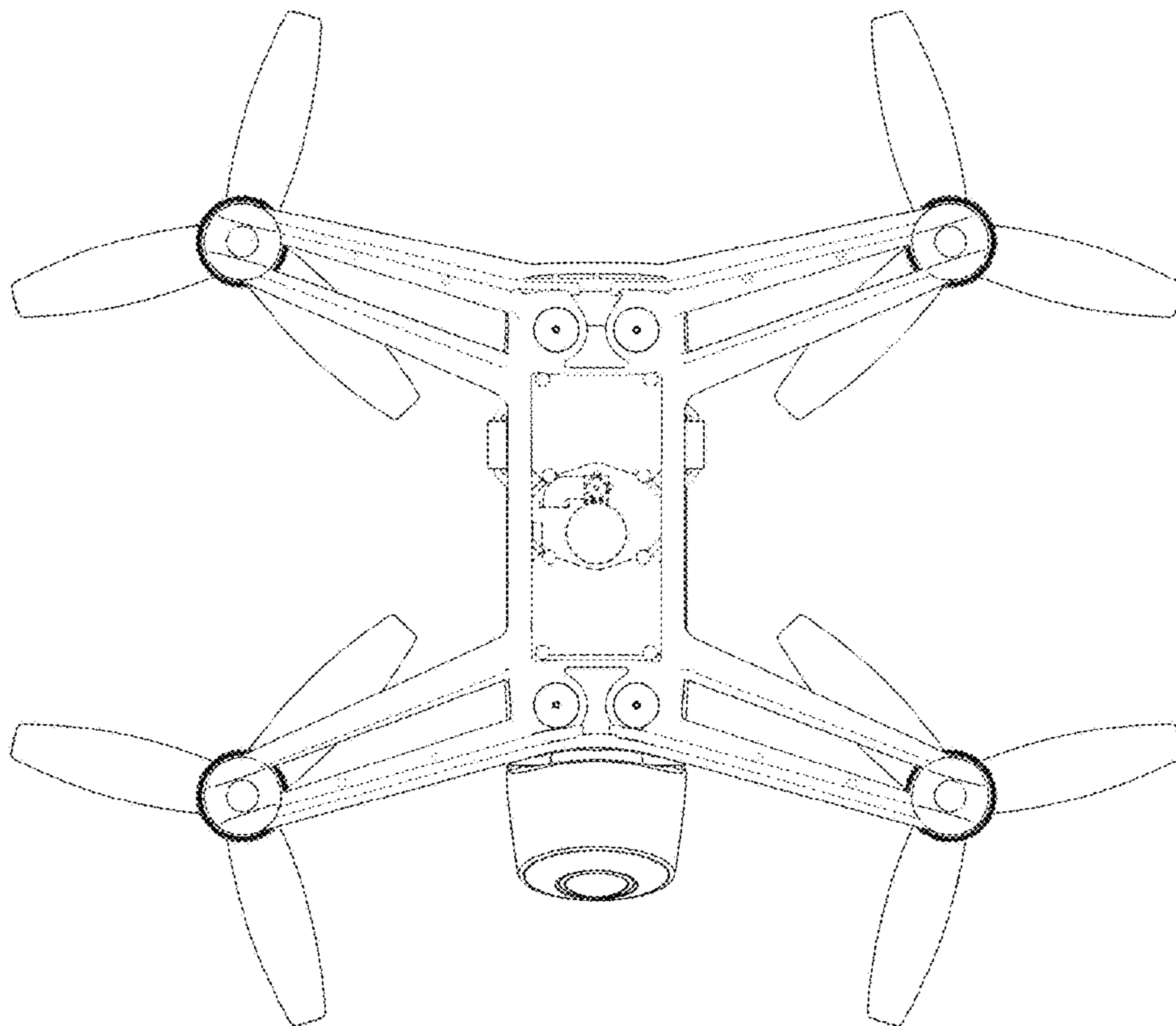


FIG. 7