



US00D772990S

(12) **United States Design Patent** (10) **Patent No.:** **US D772,990 S**
Allais (45) **Date of Patent:** **** Nov. 29, 2016**

(54) **RIDING DEVICE**

(71) Applicant: **Denis Allais**, Auckland (NZ)

(72) Inventor: **Denis Allais**, Auckland (NZ)

(**) Term: **14 Years**

(21) Appl. No.: **29/522,796**

(22) Filed: **Apr. 2, 2015**

(30) **Foreign Application Priority Data**

Aug. 8, 2014 (NZ) 419151

(51) **LOC (10) Cl.** **21-01**

(52) **U.S. Cl.**

USPC **D21/423**

(58) **Field of Classification Search**

USPC D21/419, 421, 423, 426-428, 435,
D21/668-671, 760, 765, 771; D12/1, 8,
D12/108, 112, 113; 280/8, 14.21, 14.25,
280/14.26, 87.041, 87.042, 200, 214, 220,
280/221, 239, 263, 288.1, 288.2, 288.4,
280/809; 180/180, 181, 227, 228

CPC B62K 3/002; B62K 9/00; B62K 9/02;
B62K 13/00; B62K 2202/00

See application file for complete search history.

(56) **References Cited**

U.S. PATENT DOCUMENTS

1,591,581 A	7/1926	Trejo
1,664,858 A	4/1928	Headley
1,689,916 A	10/1928	Fisher
1,844,305 A	2/1932	White
3,179,433 A	4/1965	Flack
3,620,547 A	11/1971	Vaverek
4,203,610 A	5/1980	Mihalik
4,204,698 A	5/1980	Mihalik
4,669,746 A	6/1987	Wu
D292,221 S	10/1987	Mueller
4,705,286 A	11/1987	Lauzier et al.

D295,428 S	4/1988	Cummings
4,761,014 A	8/1988	Huang
D300,756 S	4/1989	Cummings
4,824,131 A	4/1989	Thay
D301,157 S	5/1989	Hess
D305,134 S	12/1989	Rubio et al.
5,039,121 A	8/1991	Holter
5,072,961 A	12/1991	Huppe
5,328,193 A	7/1994	Shiew
5,470,089 A	11/1995	Whitson et al.
D392,001 S	3/1998	Chen
5,785,331 A	7/1998	Rappaport
5,899,474 A	5/1999	Grutzik
5,992,864 A	11/1999	Dickson et al.
6,135,474 A	10/2000	Nakamura
6,149,177 A	11/2000	Valdez
6,250,656 B1	6/2001	Ibarra
6,273,439 B1	8/2001	Ray et al.
6,279,929 B1	8/2001	Fruechtenicht
6,378,879 B2	4/2002	Rappaport
6,450,516 B1	9/2002	Nall, III

(Continued)

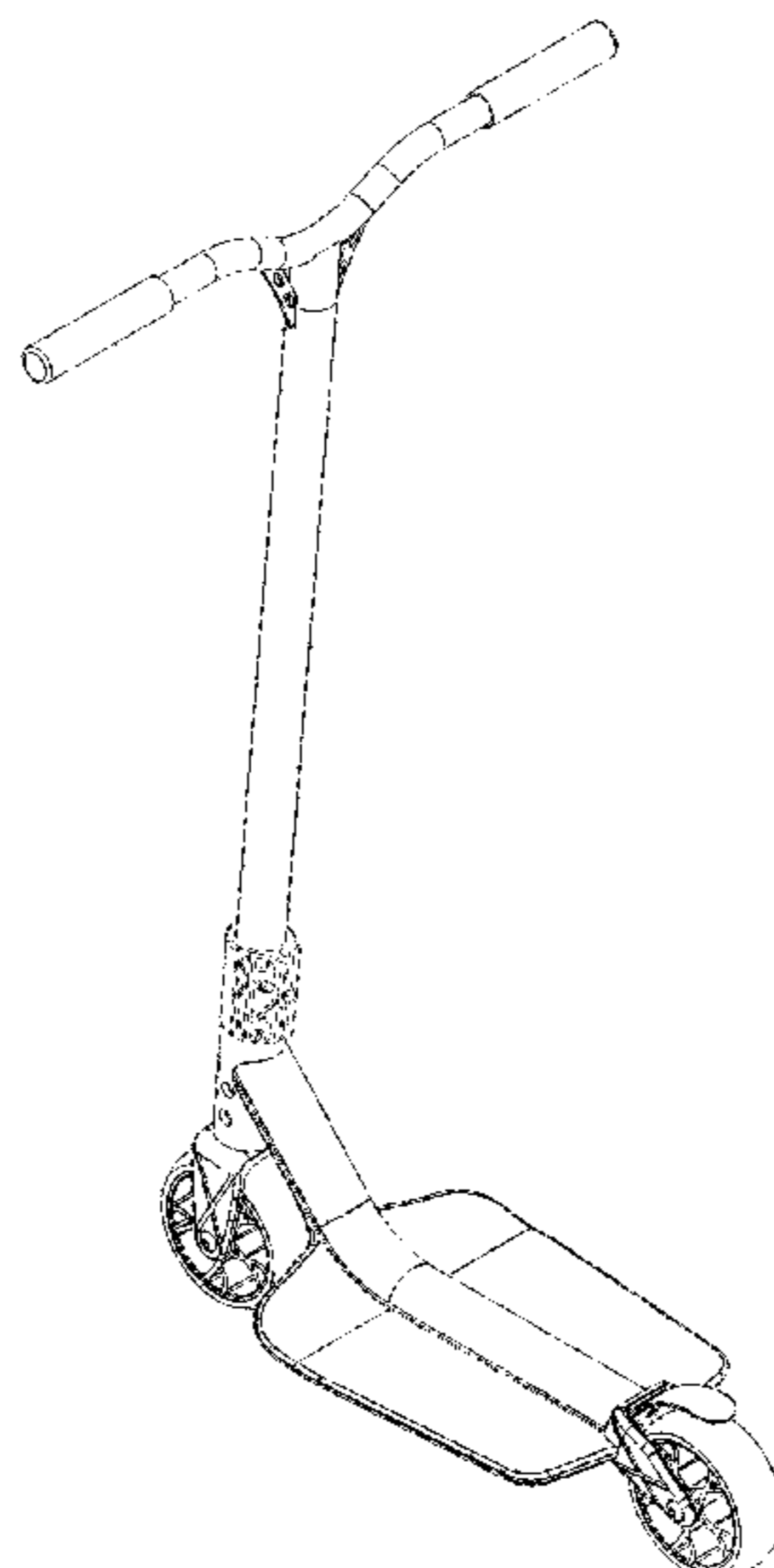
Primary Examiner — Cynthia M Chin
(74) *Attorney, Agent, or Firm* — Nixon & Vanderhye P.C.

(57) **CLAIM**
The ornamental design for a riding device, as shown and described.

DESCRIPTION

FIG. 1 is a front perspective view of a riding device showing my new ornamental design;
FIG. 2 is a front view thereof;
FIG. 3 is a rear view thereof;
FIG. 4 is a top view thereof;
FIG. 5 is a bottom view thereof;
FIG. 6 is a left side view thereof;
FIG. 7 is a right side view thereof; and,
FIG. 8 is a rear perspective view thereof.
The broken lines represent environmental structure or unclaimed portions of the riding device and do not form a portion of the claimed design.

1 Claim, 8 Drawing Sheets



(56)

References Cited

U.S. PATENT DOCUMENTS

6,488,295 B1	12/2002	Bryant		D692,963 S *	11/2013	Radtke	D21/423
6,588,784 B1	7/2003	Chen		D717,881 S *	11/2014	Radtke	D21/423
D479,734 S *	9/2003	Schaffer	D748,738 S *	2/2016	Hadley	D21/423
6,648,355 B2	11/2003	Ridenhour		D750,180 S *	2/2016	Edlauer	D21/423
6,659,486 B2	12/2003	Eschenbach		2002/0070519 A1	6/2002	Rappaport		
D486,532 S *	2/2004	Christianson	2002/0093161 A1	7/2002	Udwin et al.		
6,739,606 B2	5/2004	Rappaport		2002/0121754 A1	9/2002	Nall, III		
D492,367 S	6/2004	Dennis		2003/0001350 A1	1/2003	Eschenbach		
D497,397 S *	10/2004	Sramek	2003/0127822 A1	7/2003	Fleck et al.		
6,854,752 B2	2/2005	Chao		2003/0132592 A1	7/2003	Dombroski		
D503,661 S	4/2005	Huntsberger et al.		2003/0193159 A1	10/2003	Ridenhour		
7,261,310 B2	8/2007	Yifrah et al.		2003/0214113 A1	11/2003	Bank		
7,458,596 B1	12/2008	Serna		2004/0004341 A1	1/2004	Carr et al.		
7,487,982 B2	2/2009	Chan		2004/0012166 A1	1/2004	Reginato		
7,543,829 B1	6/2009	Barnes		2004/0080130 A1	4/2004	Lewis		
7,803,090 B2	9/2010	Kraus		2005/0248117 A1	11/2005	Hung		
7,951,049 B2	5/2011	Mondello et al.		2005/0253357 A1	11/2005	Cheng et al.		
D645,522 S *	9/2011	Powers	2005/0285368 A1	12/2005	Yifrah et al.		
D653,711 S *	2/2012	Ngai	2006/0076752 A1	4/2006	Montague et al.		
8,322,735 B2	12/2012	Steinbach		2006/0186641 A1	8/2006	Chan		
				2007/0278763 A1	12/2007	Saville		
				2009/0212529 A1	8/2009	Stenberg		
				2010/0253036 A1	10/2010	Liu et al.		

* cited by examiner

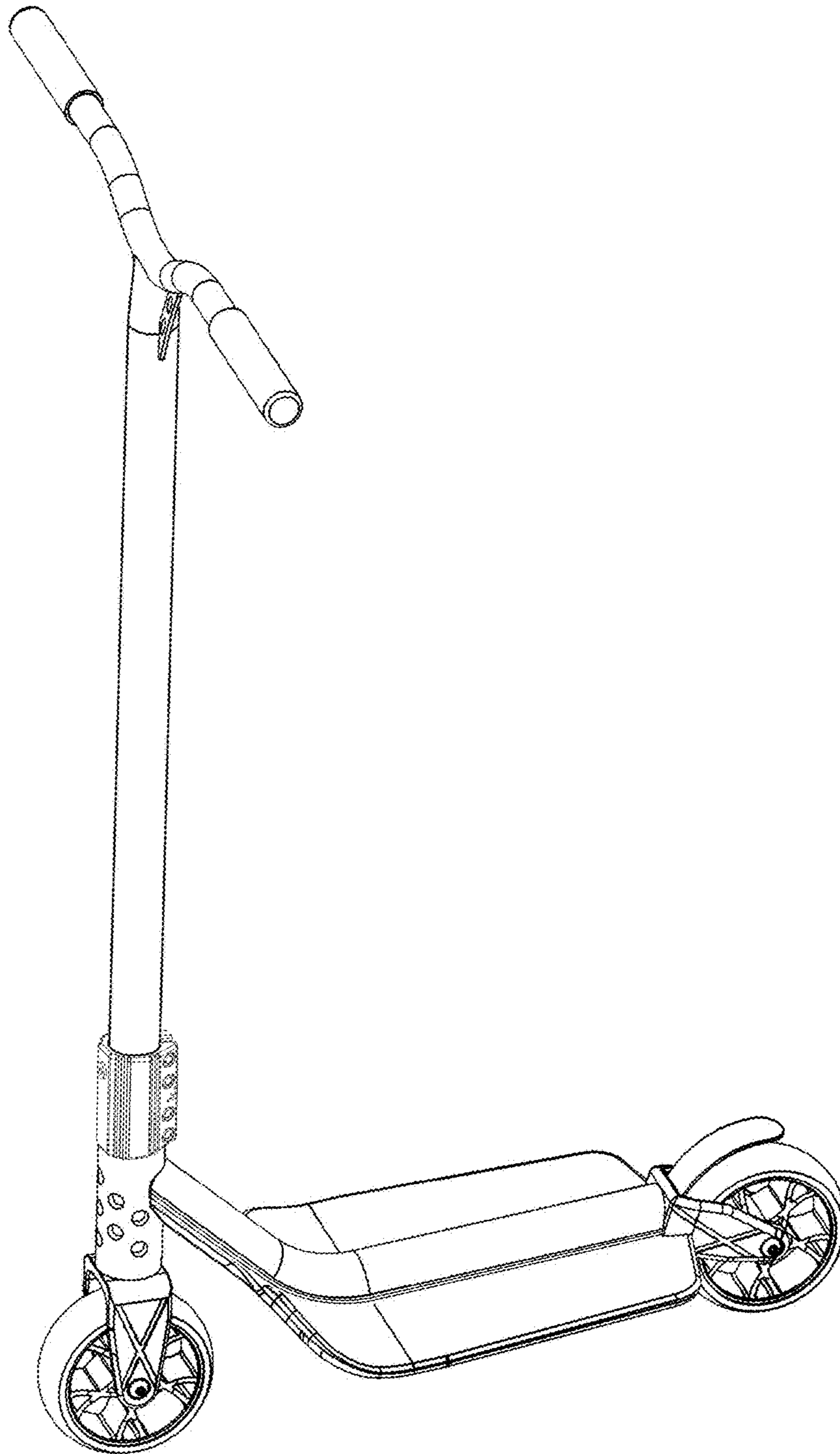


FIG. 1

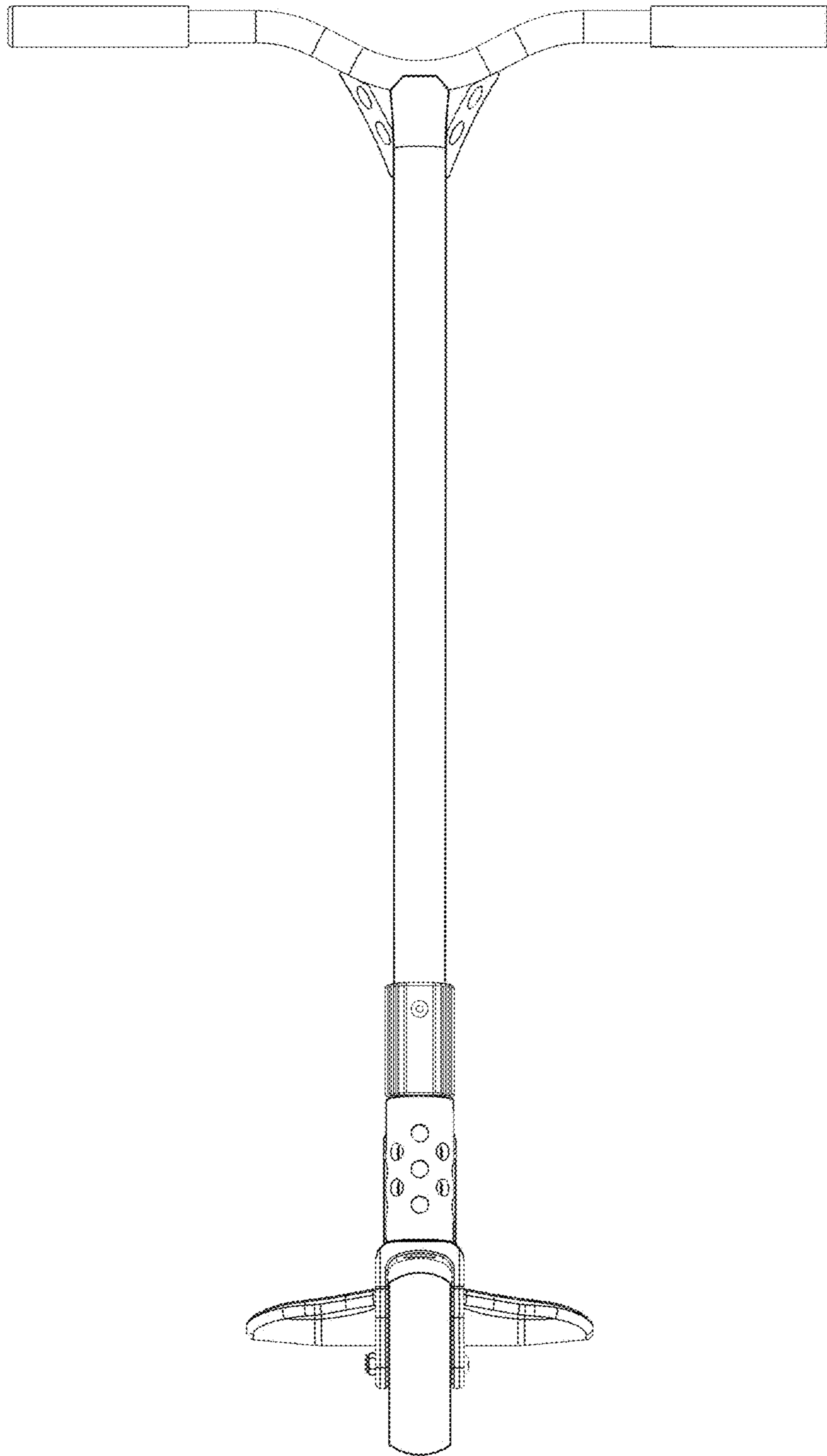


FIG. 2

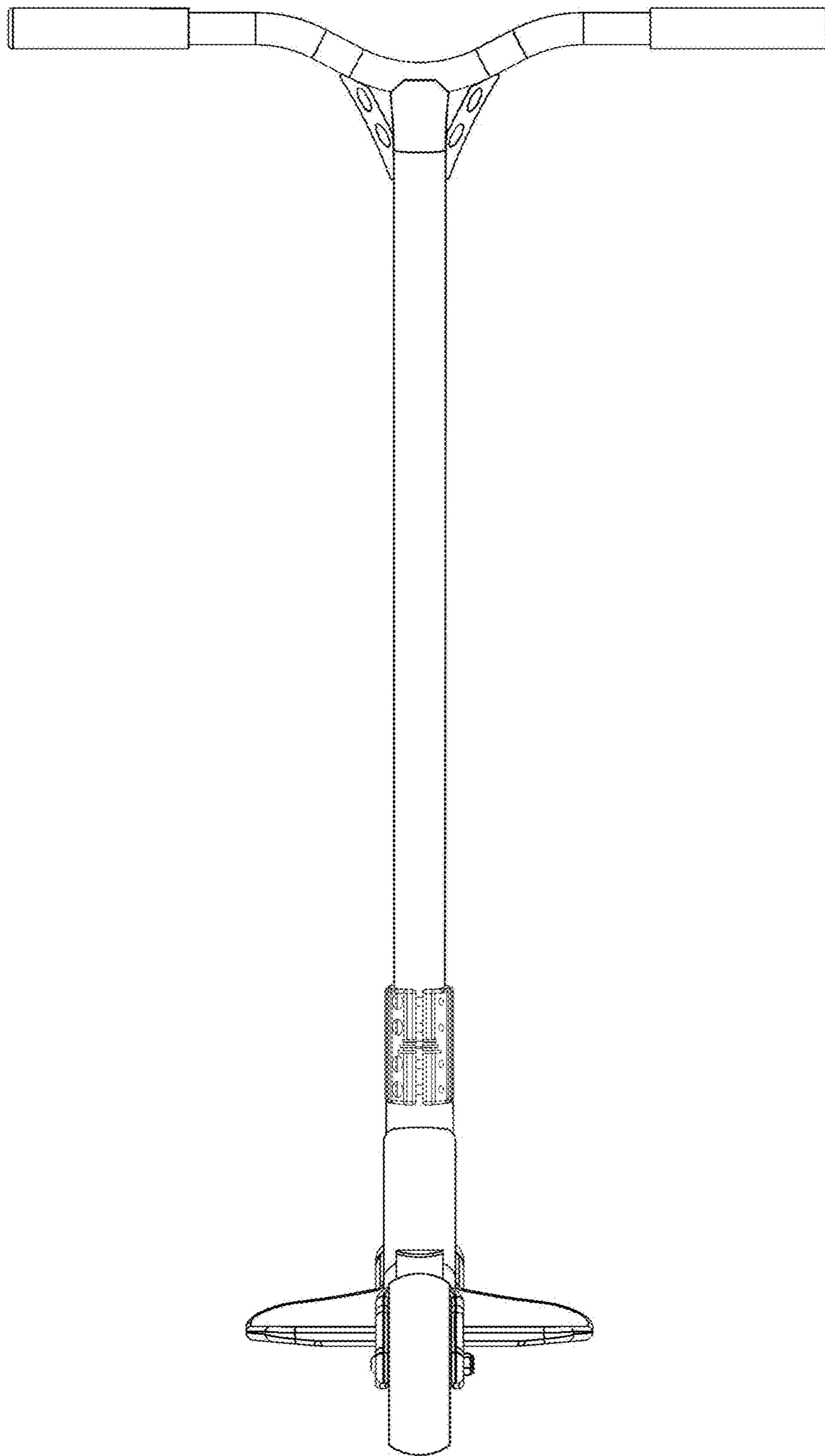


FIG. 3

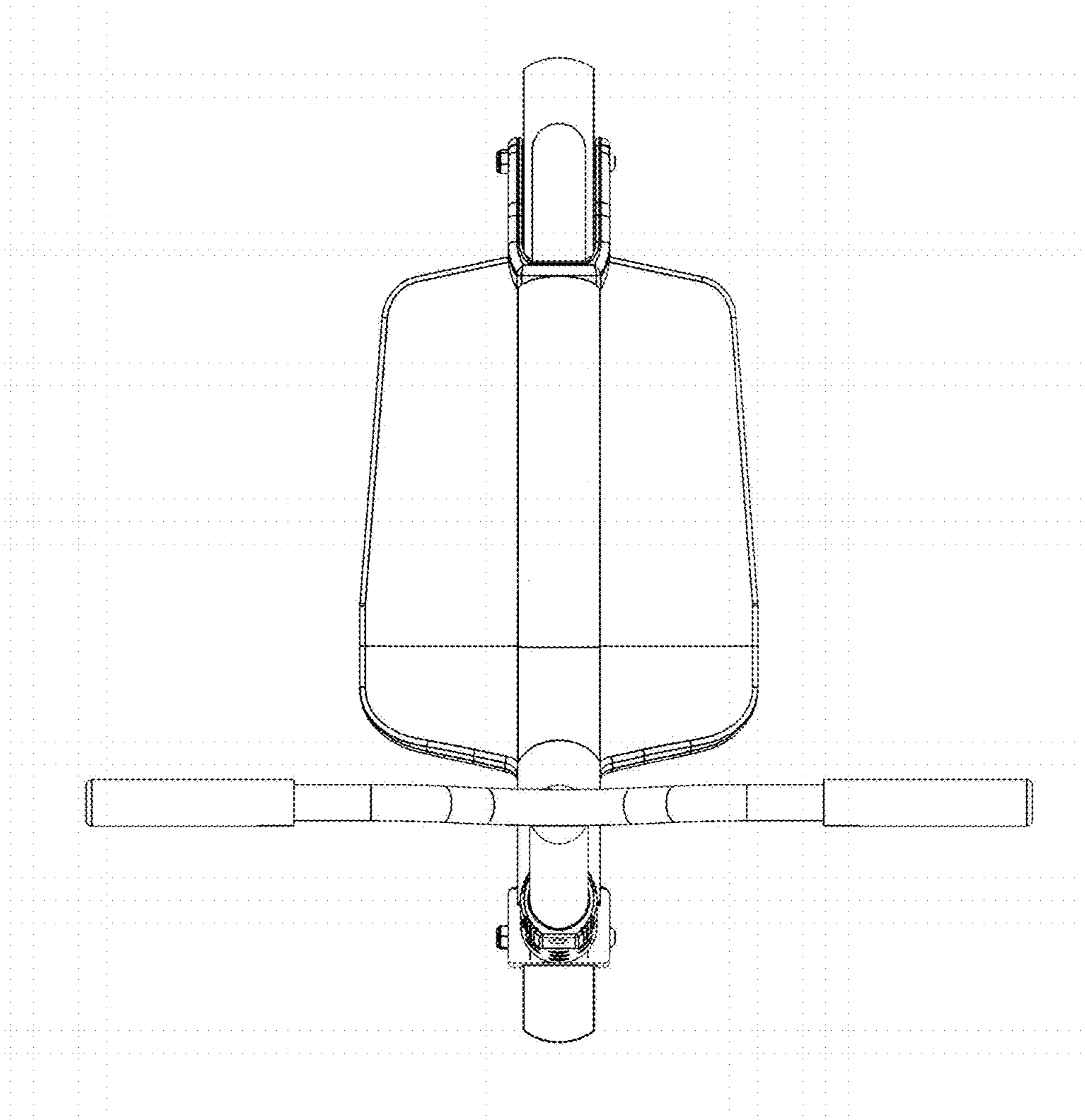


FIG. 4

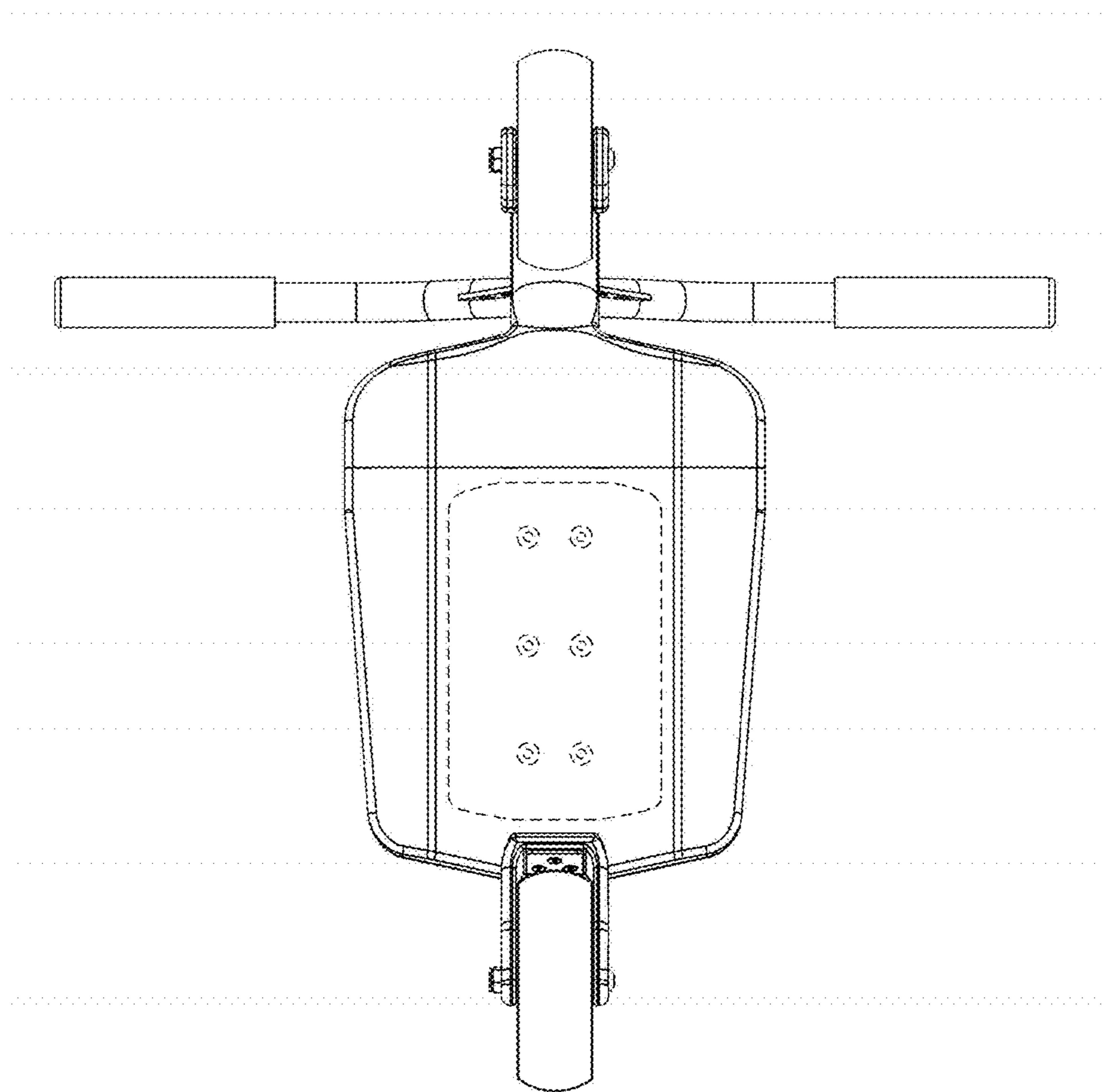


FIG. 5

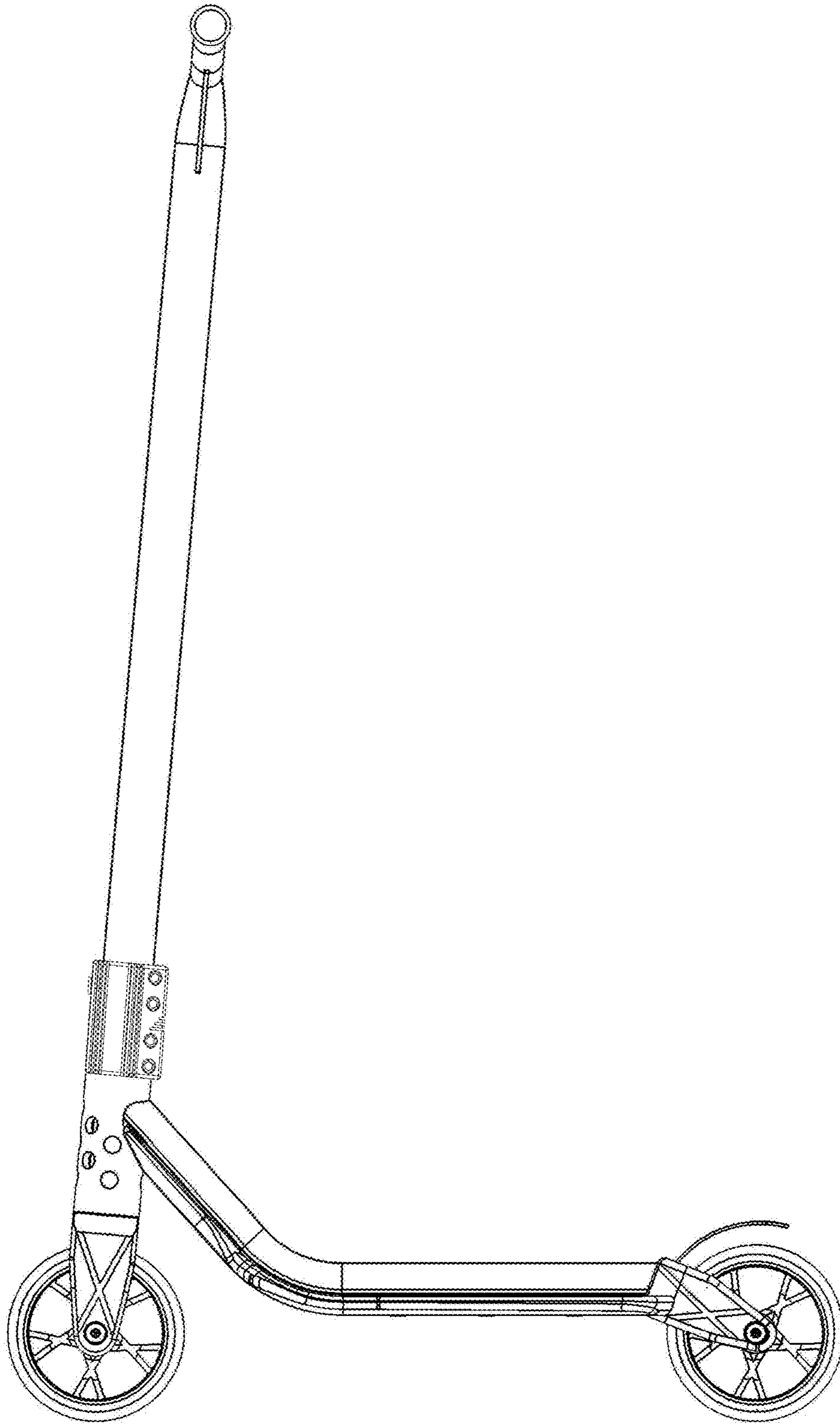


FIG. 6

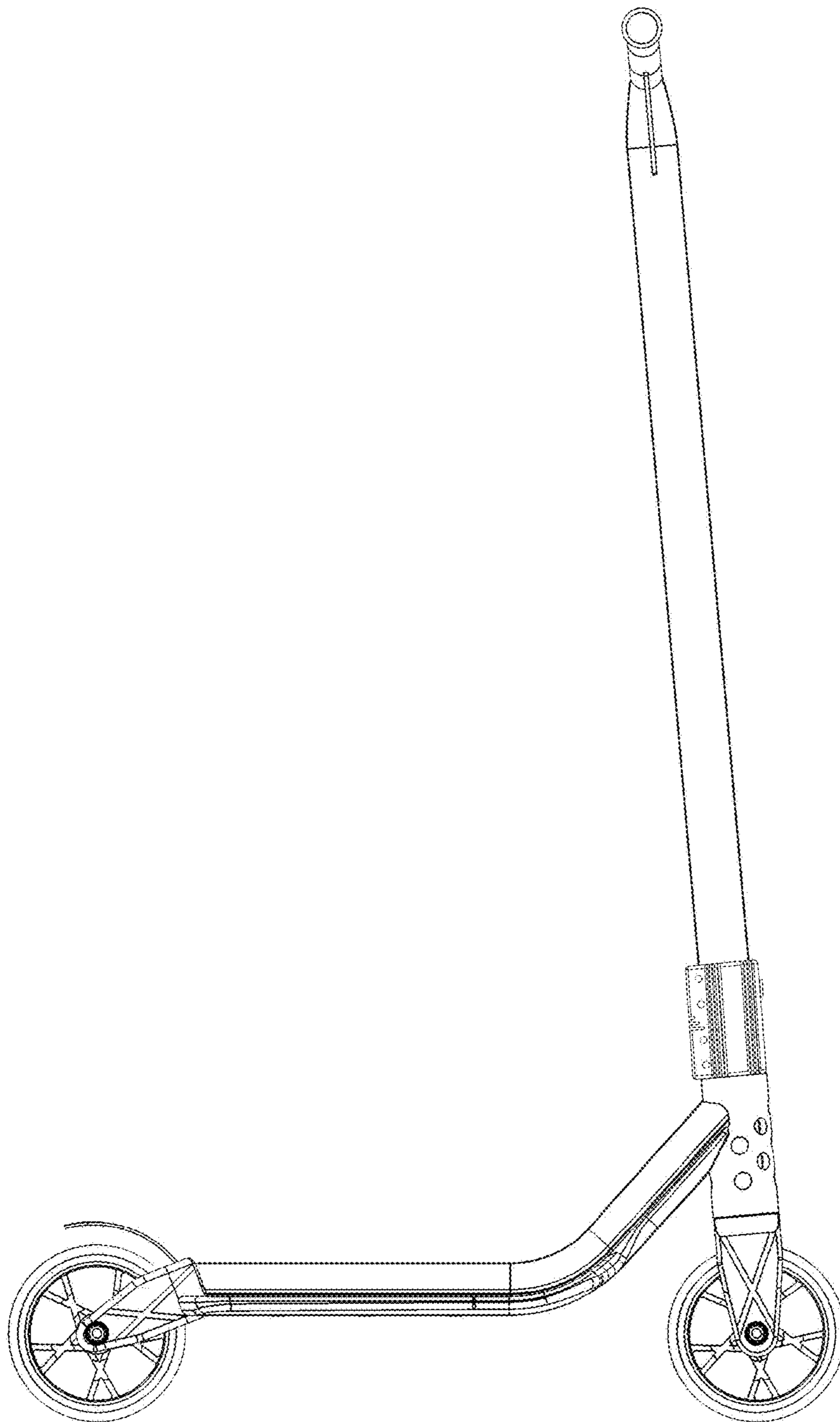


FIG. 7

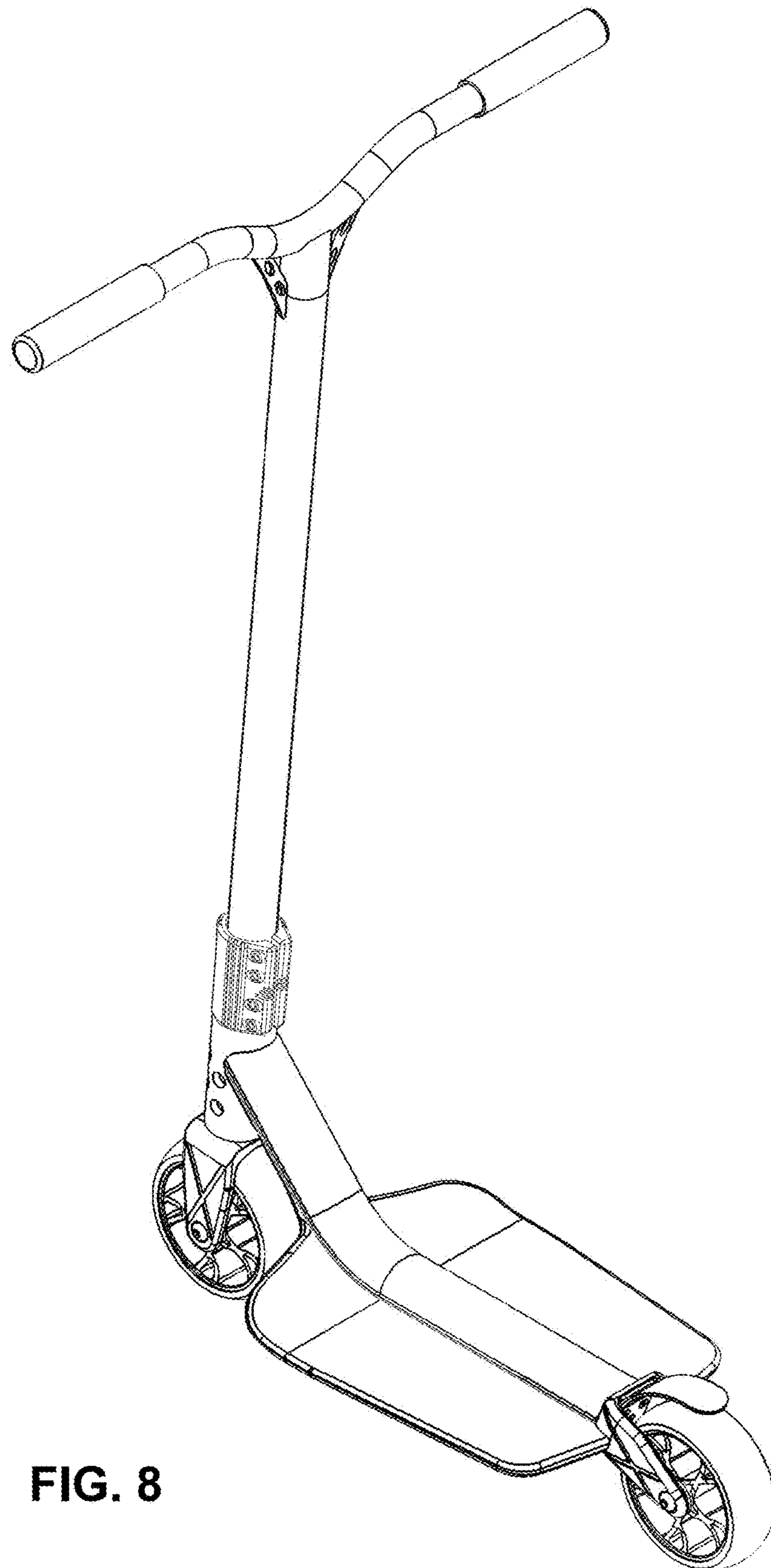


FIG. 8