



US00D772989S

(12) **United States Design Patent**
Fjelstad

(10) **Patent No.:** **US D772,989 S**

(45) **Date of Patent:** **** Nov. 29, 2016**

(54) **HOLDER FOR IRREGULARLY SHAPED DICE**

(71) Applicant: **Joseph Charles Fjelstad**, Noth Bend, WA (US)

(72) Inventor: **Joseph Charles Fjelstad**, Noth Bend, WA (US)

(**) Term: **14 Years**

(21) Appl. No.: **29/505,034**

(22) Filed: **May 4, 2015**

(51) **LOC (10) Cl.** **21-01**

(52) **U.S. Cl.**
USPC **D21/385**

(58) **Field of Classification Search**
USPC D21/372, 373, 385, 386, 392, 396
CPC . A63F 9/0415; A63F 9/0402; A63F 11/0051
See application file for complete search history.

(56) **References Cited**

U.S. PATENT DOCUMENTS

4,436,306 A *	3/1984	Sanders	A63F 9/0415	273/146
D275,833 S *	10/1984	Malpass	D3/203.3	
4,648,602 A *	3/1987	Maroney	A63F 9/0402	273/146

D345,182 S *	3/1994	Fjelstad	D21/373
D353,406 S *	12/1994	Roberts	D21/346
D385,310 S *	10/1997	Heitmann	D21/393
5,909,874 A *	6/1999	Daniel	A63F 9/0415
				273/146
5,918,881 A *	7/1999	Kirby	A63F 9/0415
				273/146
D430,226 S *	8/2000	Spence	D21/372
D483,417 S *	12/2003	Michalek	D21/338
D517,612 S *	3/2006	Bowling	D21/373
D578,576 S *	10/2008	Montanari	D21/392
D603,458 S *	11/2009	Walker	D21/373
D604,776 S *	11/2009	Denoual	D21/372
D634,370 S *	3/2011	Gebhart	D21/373

* cited by examiner

Primary Examiner — Darlington Ly
Assistant Examiner — Daniel J Domino

(57) **CLAIM**

The ornamental design for a holder for irregularly shaped dice, as shown and described.

DESCRIPTION

FIG. 1 is a top view of a holder for irregularly shaped dice, showing my new design;
FIG. 2 is a perspective view thereof; and,
FIG. 3 is a perspective view showing the article in a state of use with irregular dice shown as broken lines illustrating environment that form no part of the claim.

1 Claim, 3 Drawing Sheets

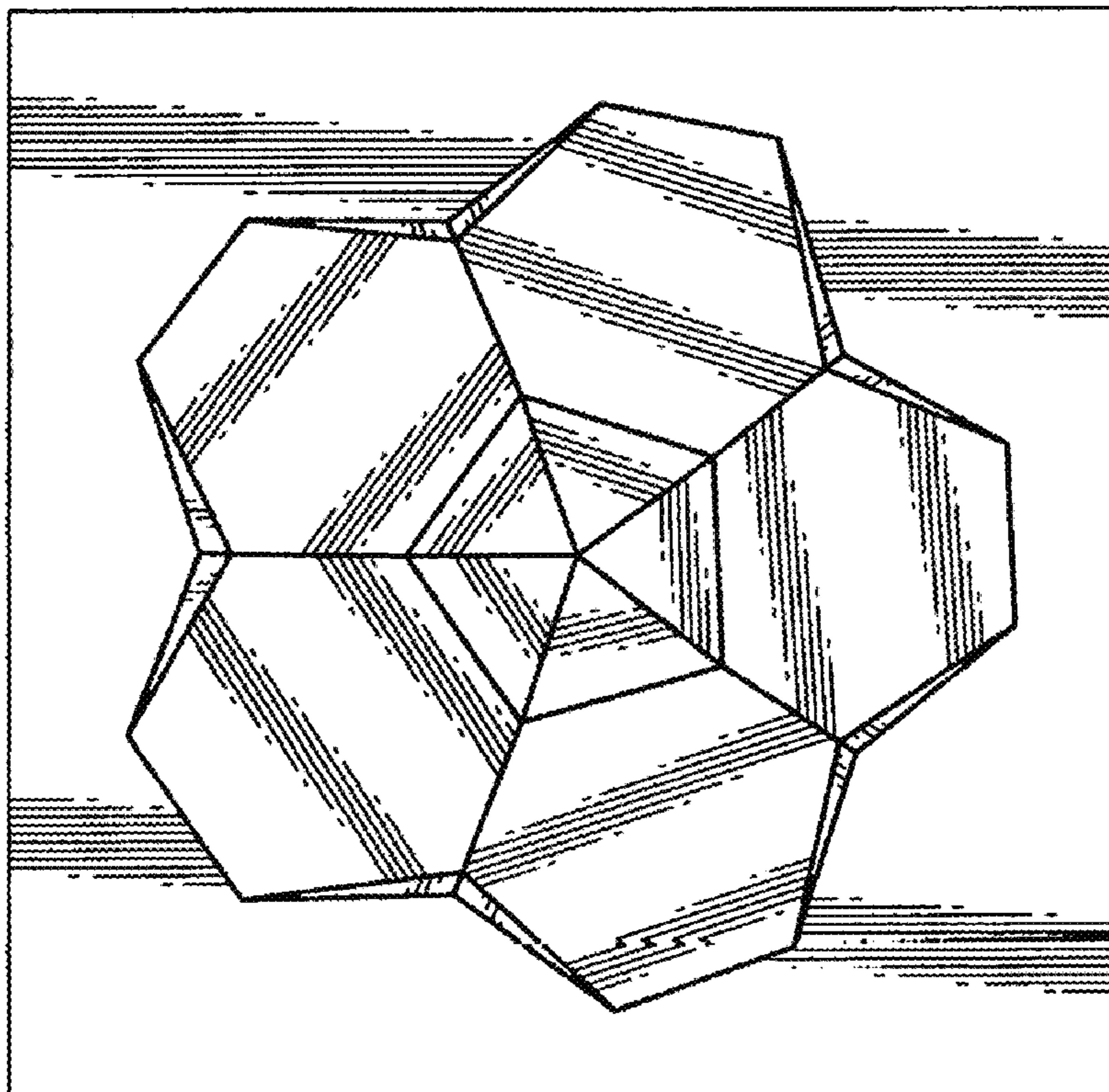


FIG. 1

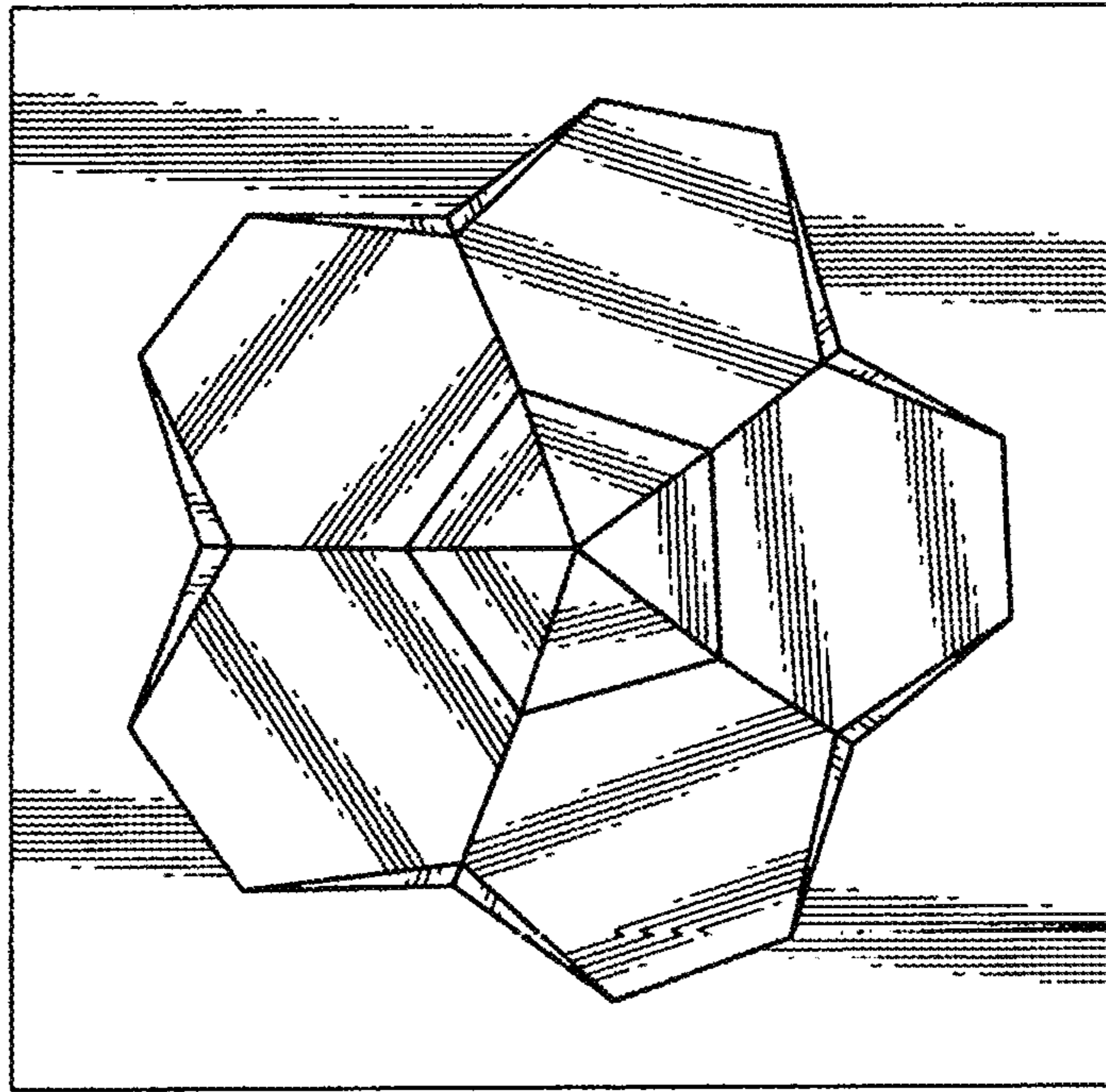


FIG. 2

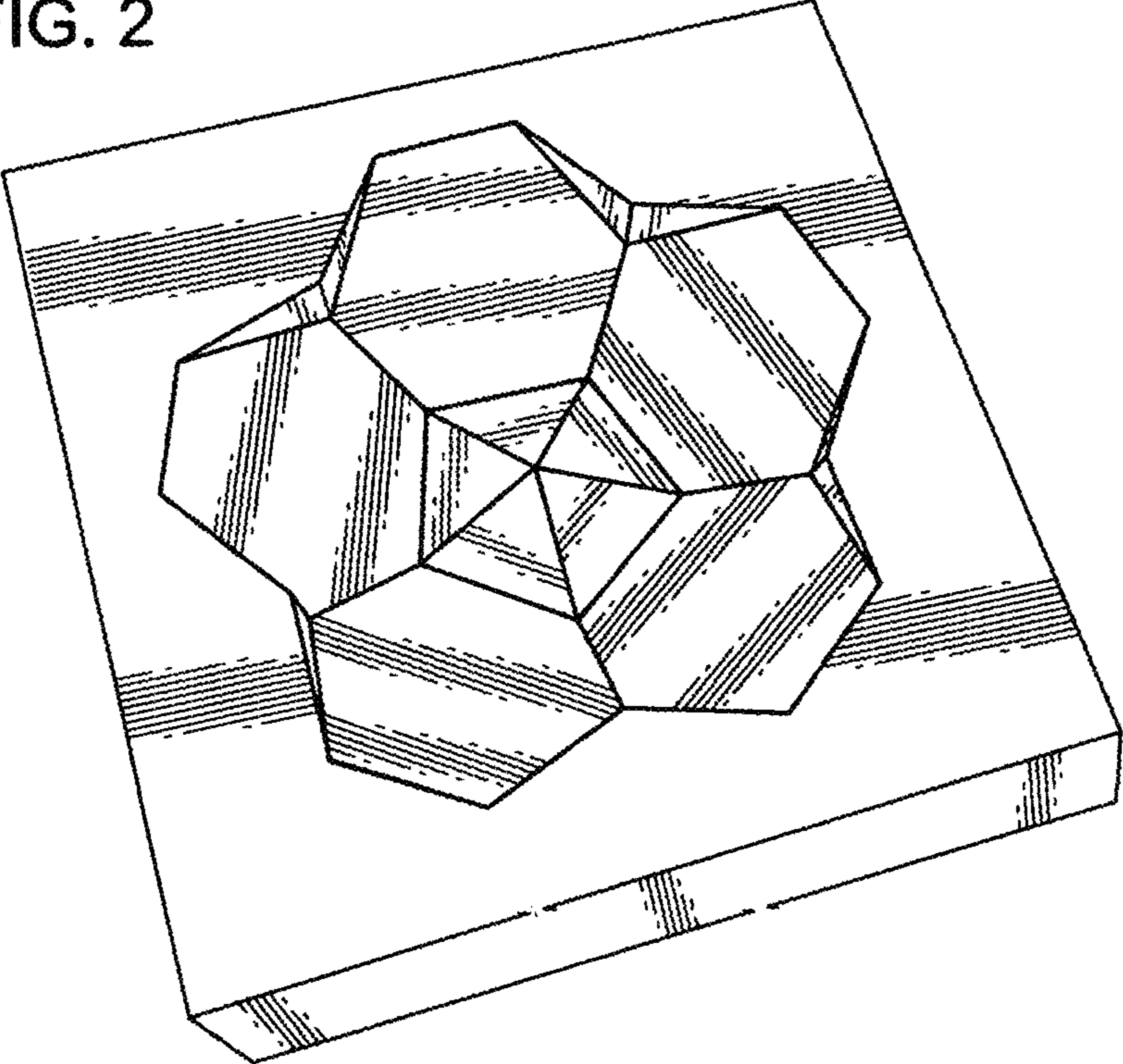


FIG. 3

