



US00D772986S

(12) **United States Design Patent**  
**Chen et al.**

(10) **Patent No.: US D772,986 S**  
(45) **Date of Patent: \*\* Nov. 29, 2016**

(54) **WIRELESS GAME CONTROLLER**

(71) Applicant: **Oculus VR, LLC**, Menlo Park, CA (US)

(72) Inventors: **Yi-yaun Chen**, Seattle, WA (US); **Peter Wesley Bristol**, Seattle, WA (US); **Robert Hubler**, Menlo Park, CA (US); **Quintin Morris**, Menlo Park, CA (US)

(73) Assignee: **Oculus VR, LLC**, Menlo Park, CA (US)

(\*\*) Term: **15 Years**

(21) Appl. No.: **29/529,915**

(22) Filed: **Jun. 11, 2015**

(51) **LOC (10) Cl.** ..... **21-01**

(52) **U.S. Cl.**  
USPC ..... **D21/333; D14/203.5; D14/203.3; D14/496**

(58) **Field of Classification Search**

USPC ..... D14/496, 401, 435, 474, 483, 217, 137, D14/138, 160, 168, 356, 203.1–203.8, 507; 345/156, 169, 173–179, 905; 715/727–729, 864, 700, 706, 719; 710/1, 5, 8; 713/1, 600; 455/1.1, 1.7, 455/73, 344–347, 93, 95, 3.01–3.06, 550.1, 455/573.1; 370/342–344; 369/1, 2, 6–12; 463/51–57, 40–47, 1, 29–35; D21/324, D21/328, 333; 273/148 B  
CPC ..... A63F 13/00; A63F 13/02; A63F 9/00; G06F 17/00; G06F 19/00  
See application file for complete search history.

(56) **References Cited**

**U.S. PATENT DOCUMENTS**

5,265,009 A \* 11/1993 Colavita ..... A63F 1/18 273/148 R  
D418,879 S \* 1/2000 Hornsby ..... D10/46.1  
6,430,110 B2 \* 8/2002 Baroche ..... G04B 37/0016 368/10

6,970,157 B2 \* 11/2005 Siddeeq ..... G06F 1/163 345/168  
D586,823 S \* 2/2009 Anderson ..... D14/496  
D616,417 S \* 5/2010 Liao ..... D14/203.5  
8,188,842 B2 \* 5/2012 Otsuka ..... G08C 17/02 340/12.15  
8,994,643 B2 \* 3/2015 Massie ..... G06F 1/206 345/156  
D729,803 S \* 5/2015 Avery ..... D14/401  
9,141,087 B2 \* 9/2015 Brown ..... G04F 10/00  
D742,972 S \* 11/2015 Corrigan ..... D21/324

**OTHER PUBLICATIONS**

Canadian Examiner's Report in Patent Application No. 163,150, mailing date Apr. 8, 2016, 7 pages.  
Canadian Examiner's Report in Patent Application No. 163,150, mailing date Dec. 15, 2015, 5 pages.  
Canadian Examiner's Report in Patent Application No. 167,456, mailing date Apr. 8, 2016, 1 page.  
Canadian Examiner's Report in Patent Application No. 167,457, mailing date Apr. 8, 2016, 1 page.  
Canadian Examiner's Report in Patent Application No. 167,458, mailing date Apr. 8, 2016, 1 page.

(Continued)

*Primary Examiner* — Prabhakar Deshmukh  
(74) *Attorney, Agent, or Firm* — Perkins Coie LLP

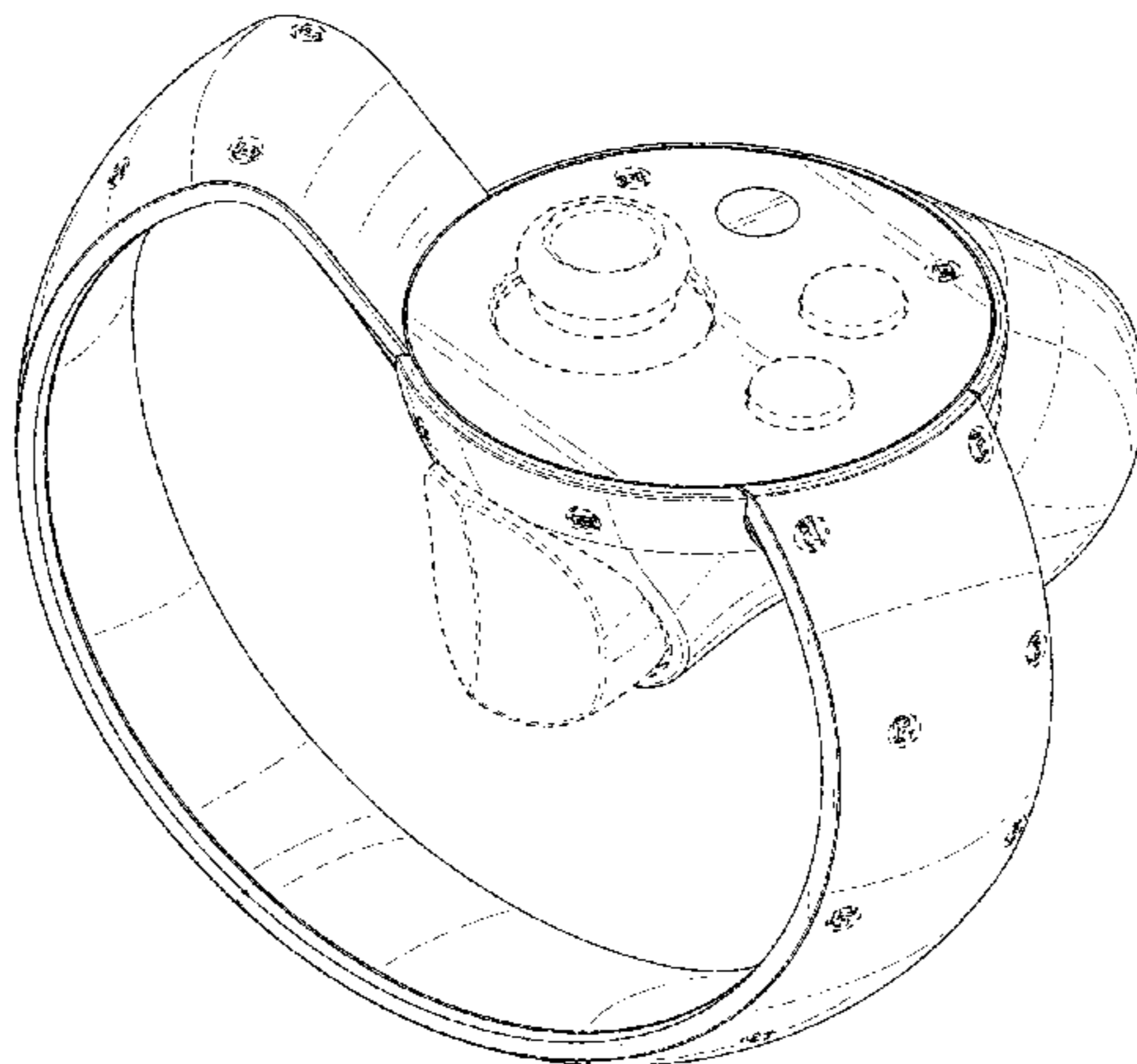
(57) **CLAIM**

The ornamental design for a wireless game controller, as shown and described.

**DESCRIPTION**

FIG. 1 is a perspective view of a wireless game controller showing our new design;  
FIG. 2 is a front elevational view thereof;  
FIG. 3 is a rear elevational view thereof;  
FIG. 4 is a left side elevational view thereof;  
FIG. 5 is a right side elevational view thereof;  
FIG. 6 is a top plan view thereof; and,  
FIG. 7 is a bottom plan view thereof.  
The broken lines illustrate unclaimed portions and form no part of the claimed design.

**1 Claim, 7 Drawing Sheets**



(56)

**References Cited**

OTHER PUBLICATIONS

First Examination Report in Indian Patent Application No. 278272, mailing date Mar. 18, 2016, 2 pages.

First Examination Report in Indian Patent Application No. 278273, mailing date Mar. 18, 2016, 2 pages.

First Examination Report in Indian Patent Application No. 278274, mailing date Mar. 14, 2016, 2 pages.

First Examination Report in Indian Patent Application No. 278275, mailing date Mar. 28, 2016, 2 pages.

U.S. Appl. No. 14/991,875 by Drinkwater, J., et al., filed Jan. 8, 2016.

U.S. Appl. No. 29/571,025 by Chen, Y., et al., filed Jul. 13, 2016.

U.S. Appl. No. 29/571,027 by Chen, Y., et al., filed Jul. 13, 2016.

U.S. Appl. No. 29/571,030 by Chen, Y., et al., filed Jul. 13, 2016.

\* cited by examiner

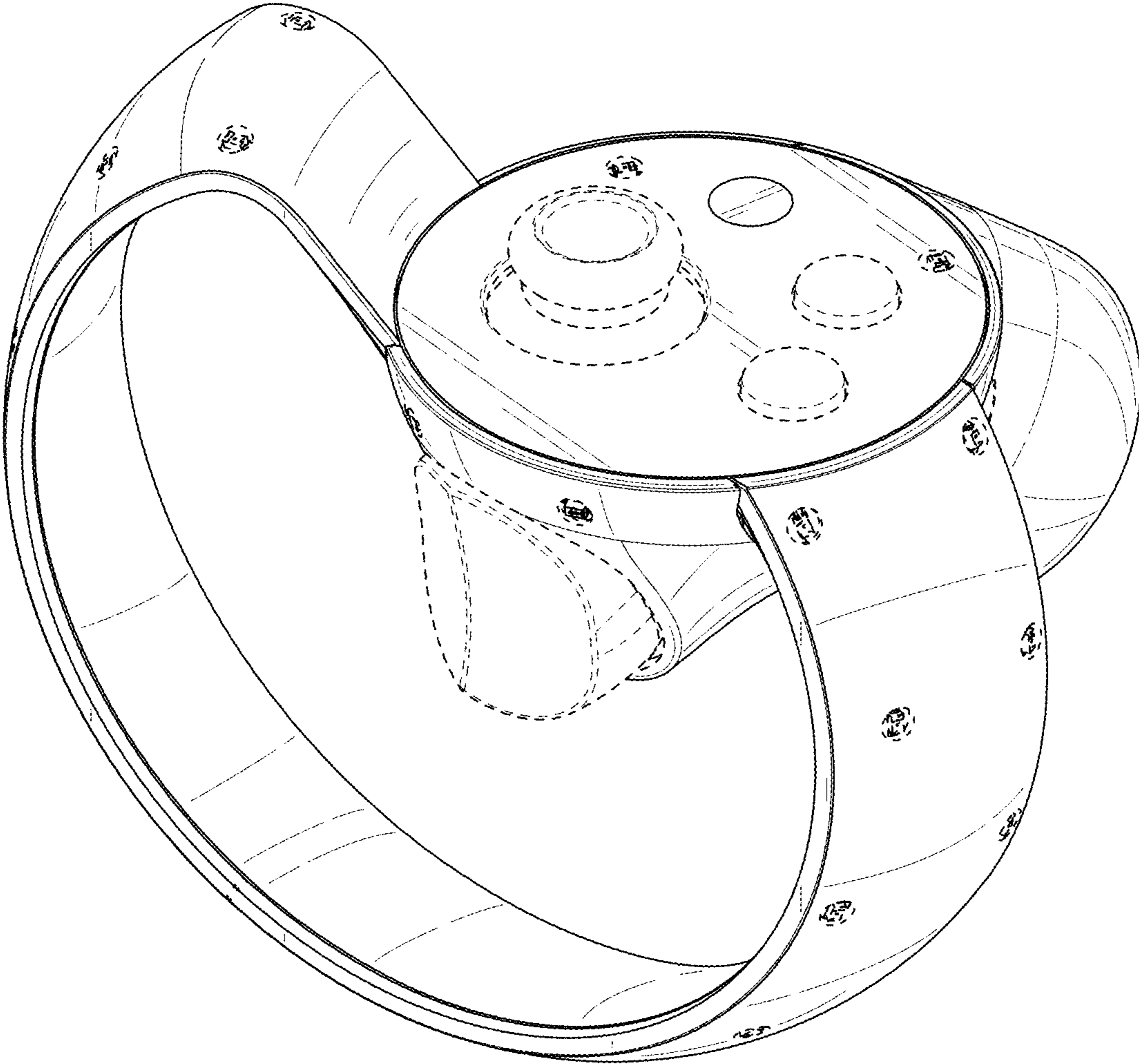


Fig. 1

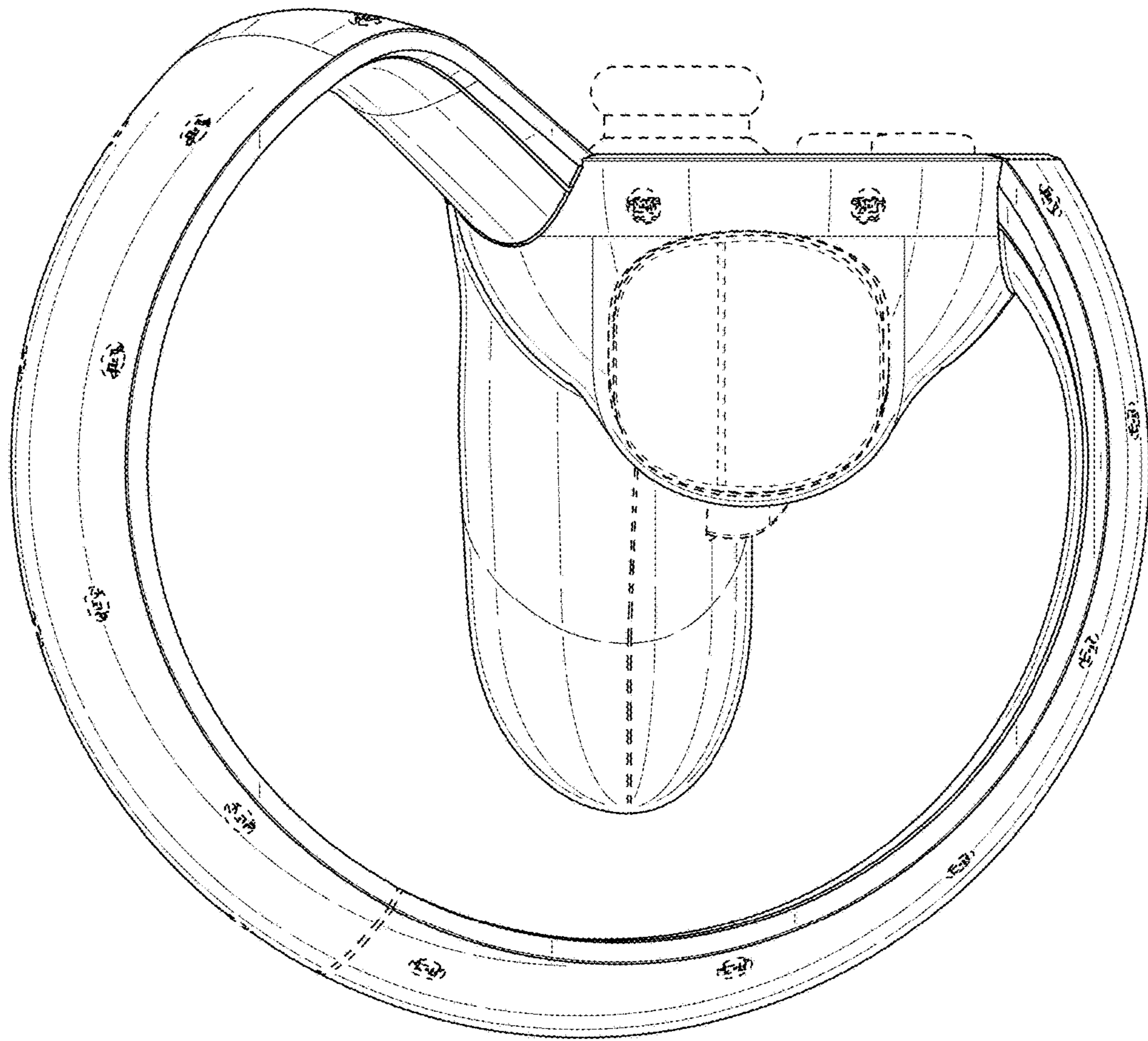
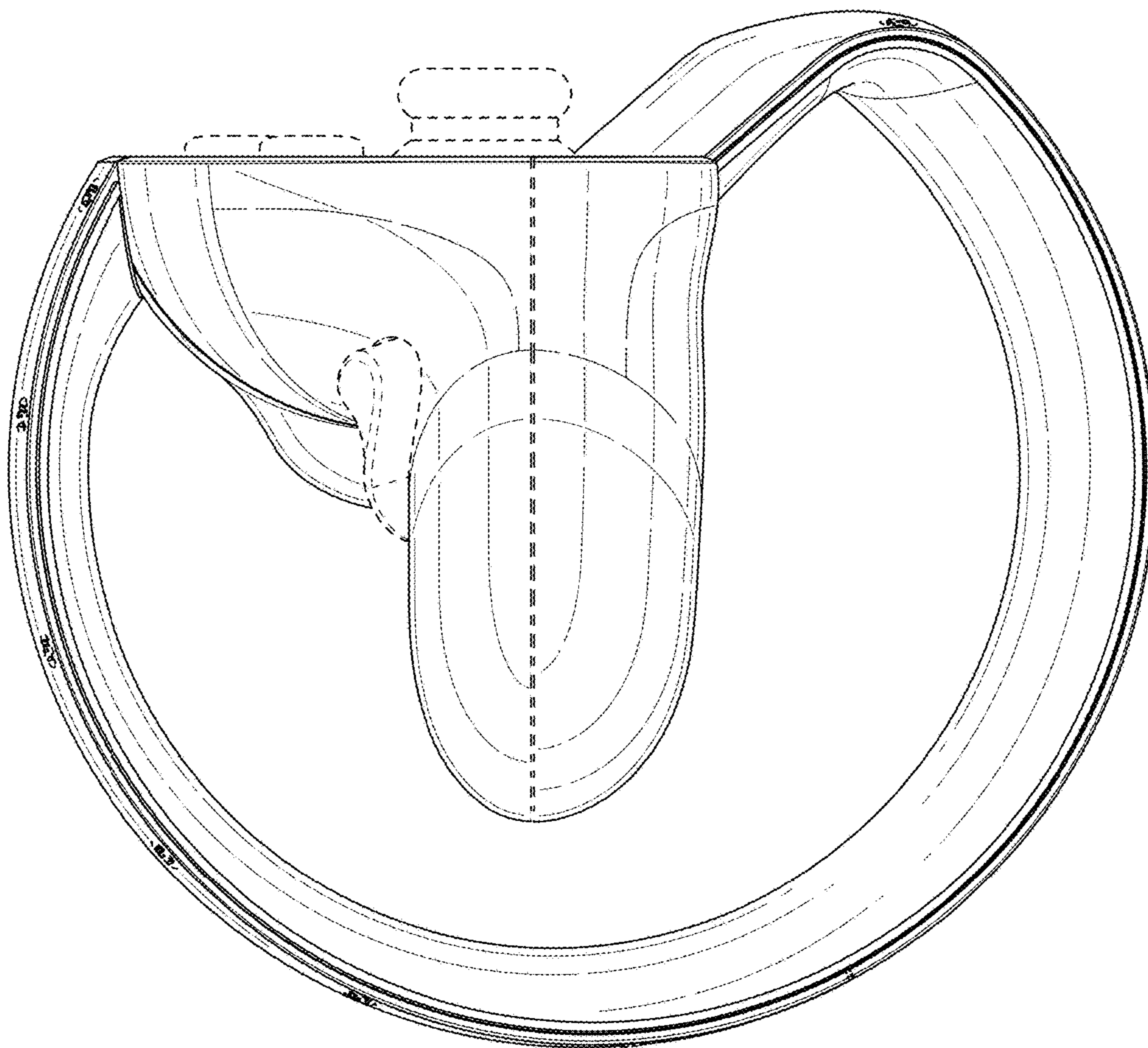


Fig. 2





*Fig. 3*

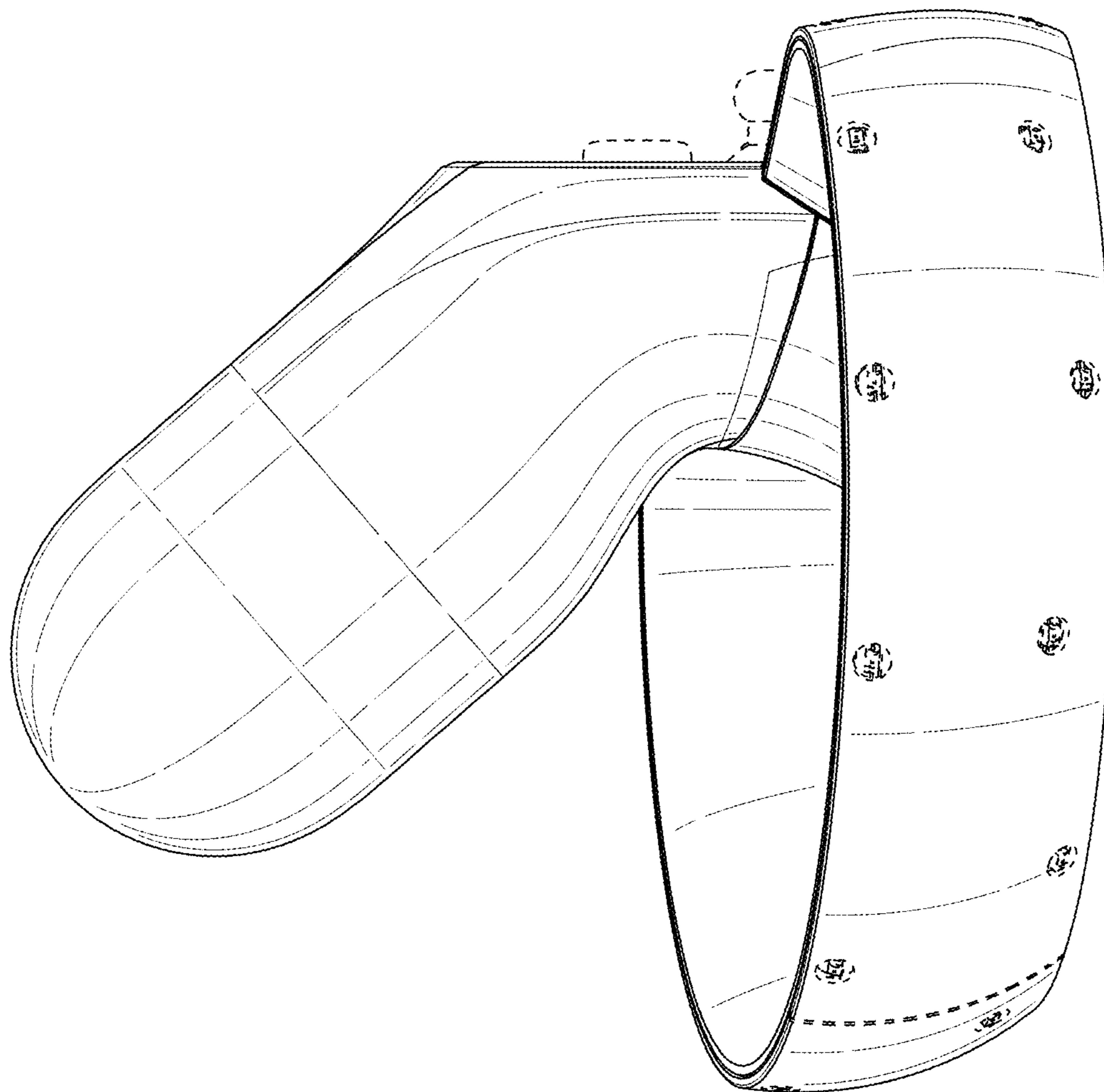
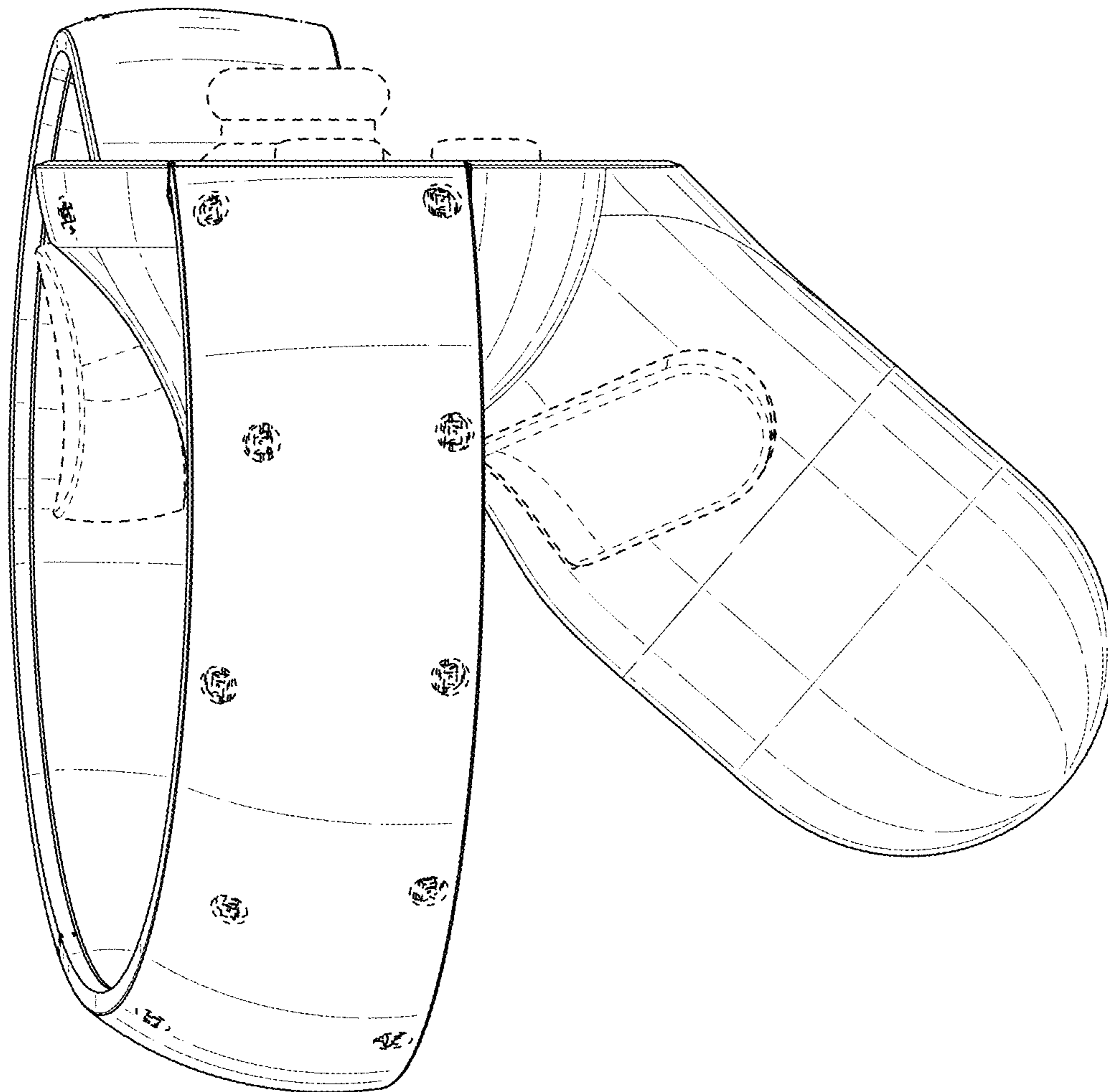


Fig. 4



*Fig. 5*

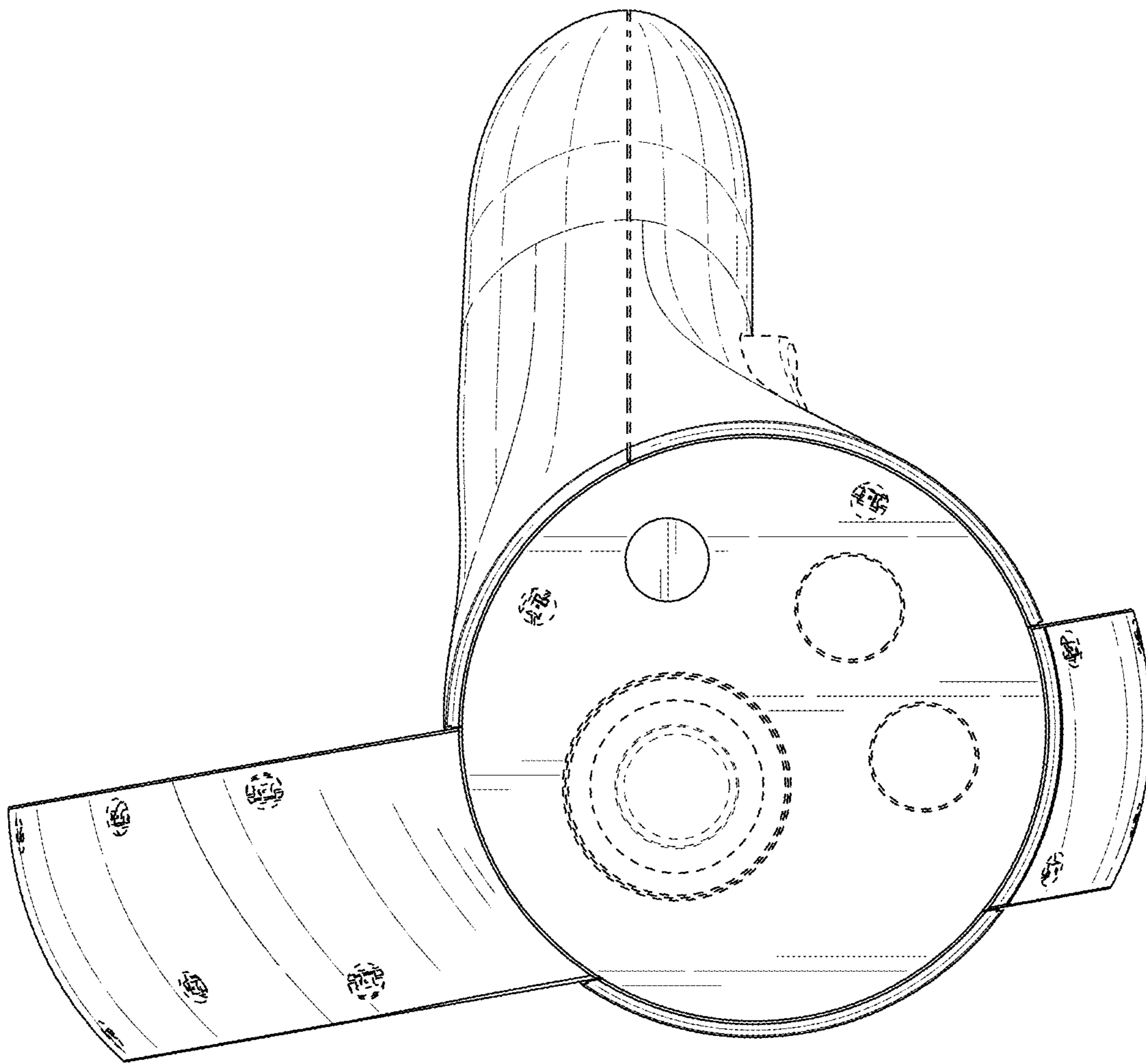


Fig. 6



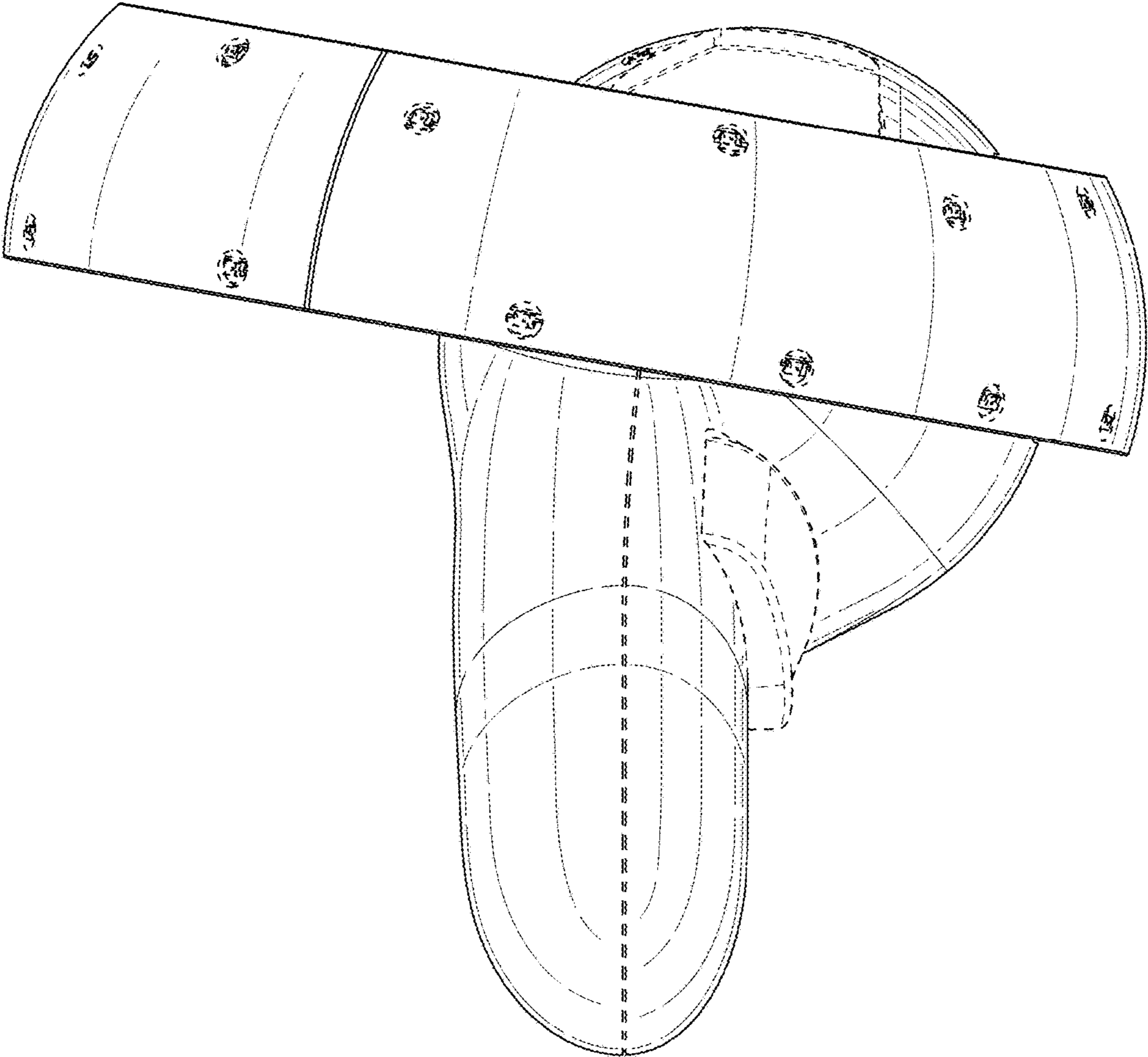


Fig. 7