



US00D772985S

(12) **United States Design Patent** (10) **Patent No.:** **US D772,985 S**  
**Thomas, Jr. et al.** (45) **Date of Patent:** **\*\* Nov. 29, 2016**

(54) **HAND SIGN**

(71) Applicants: **Mark S. Thomas, Jr.**, Tulsa, OK (US);  
**Raymond R. Taylor**, Antioch, TN (US)

(72) Inventors: **Mark S. Thomas, Jr.**, Tulsa, OK (US);  
**Raymond R. Taylor**, Antioch, TN (US)

(\*\*) Term: **14 Years**

(21) Appl. No.: **29/515,017**

(22) Filed: **Jan. 20, 2015**

(51) **LOC (10) Cl.** ..... **20-03**

(52) **U.S. Cl.**  
USPC ..... **D20/34**

(58) **Field of Classification Search**  
USPC ..... D20/10, 19, 29-38, 99; D2/615;  
D10/109.1, 109.2, 113.4; D21/400  
CPC ..... G09F 19/00; G09F 21/00; G09F 21/02;  
G09F 21/026; G09B 21/003; A63H 5/00  
See application file for complete search history.

(56) **References Cited**

**U.S. PATENT DOCUMENTS**

D59,924 S \* 12/1921 Quint ..... D20/34  
1,410,992 A \* 3/1922 Caraway ..... 40/200  
D71,104 S \* 9/1926 Everhart ..... 40/612  
D71,180 S \* 10/1926 Everhart ..... D20/34  
D71,182 S \* 10/1926 Everhart ..... D20/34  
D339,609 S \* 9/1993 Martin ..... D20/29  
D429,285 S \* 8/2000 Schini ..... D20/32

D495,749 S \* 9/2004 Van Veen ..... D20/32  
D649,598 S \* 11/2011 Bengyak ..... D20/29  
2002/0000387 A1\* 1/2002 Krull ..... A47G 1/12  
206/0.81

**OTHER PUBLICATIONS**

Oklahoma State Illustration—iStock.com © 2016 iStockphoto LP  
<http://www.istockphoto.com/vector/oklahoma-state-gm509536281-46476228> retrieved from the internet on Mar. 15, 2016.\*

\* cited by examiner

*Primary Examiner* — Mary Ann Calabrese

(74) *Attorney, Agent, or Firm* — Myers Wolin, LLC

(57) **CLAIM**

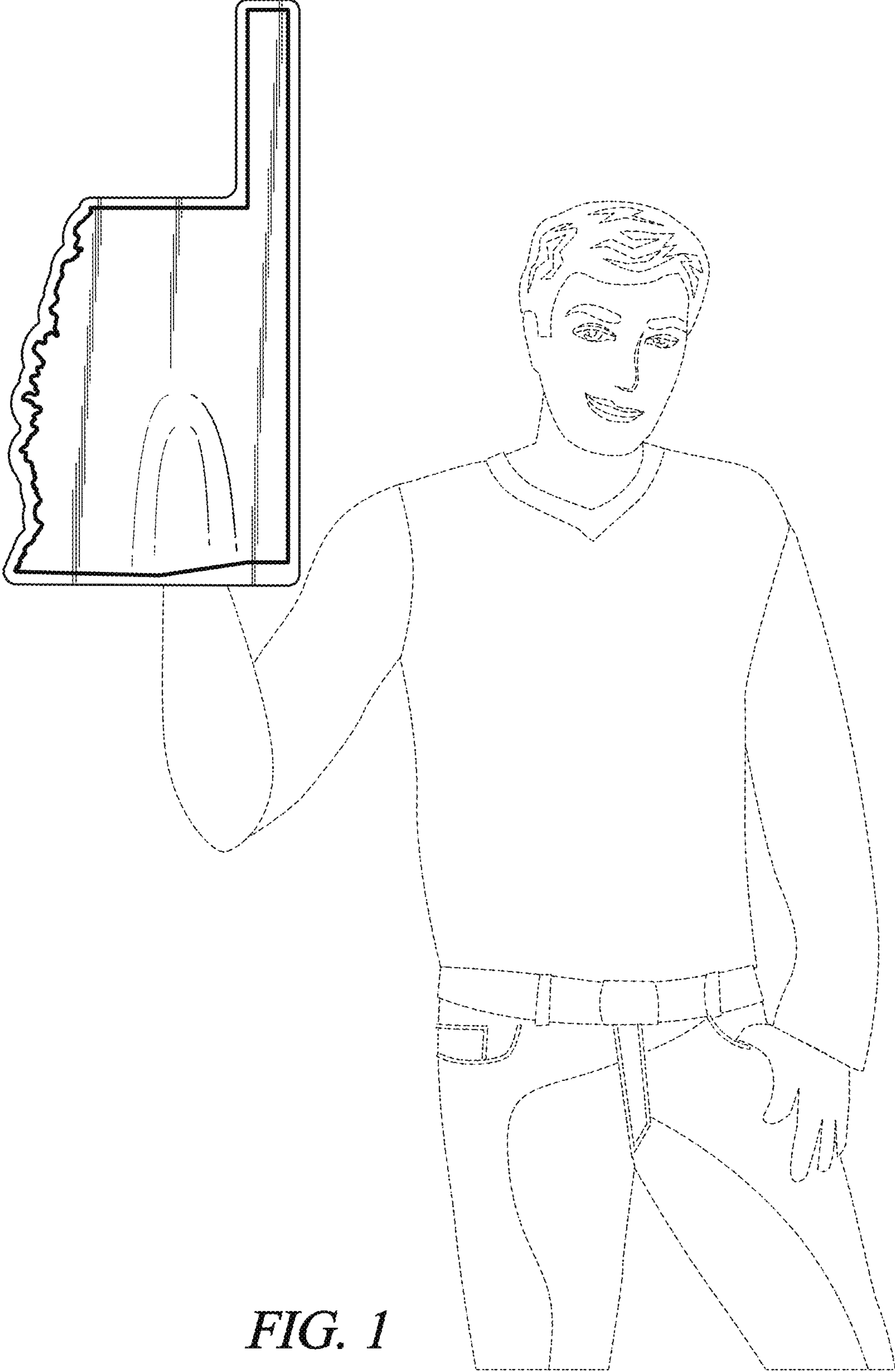
The ornamental design for a hand sign, as shown and described.

**DESCRIPTION**

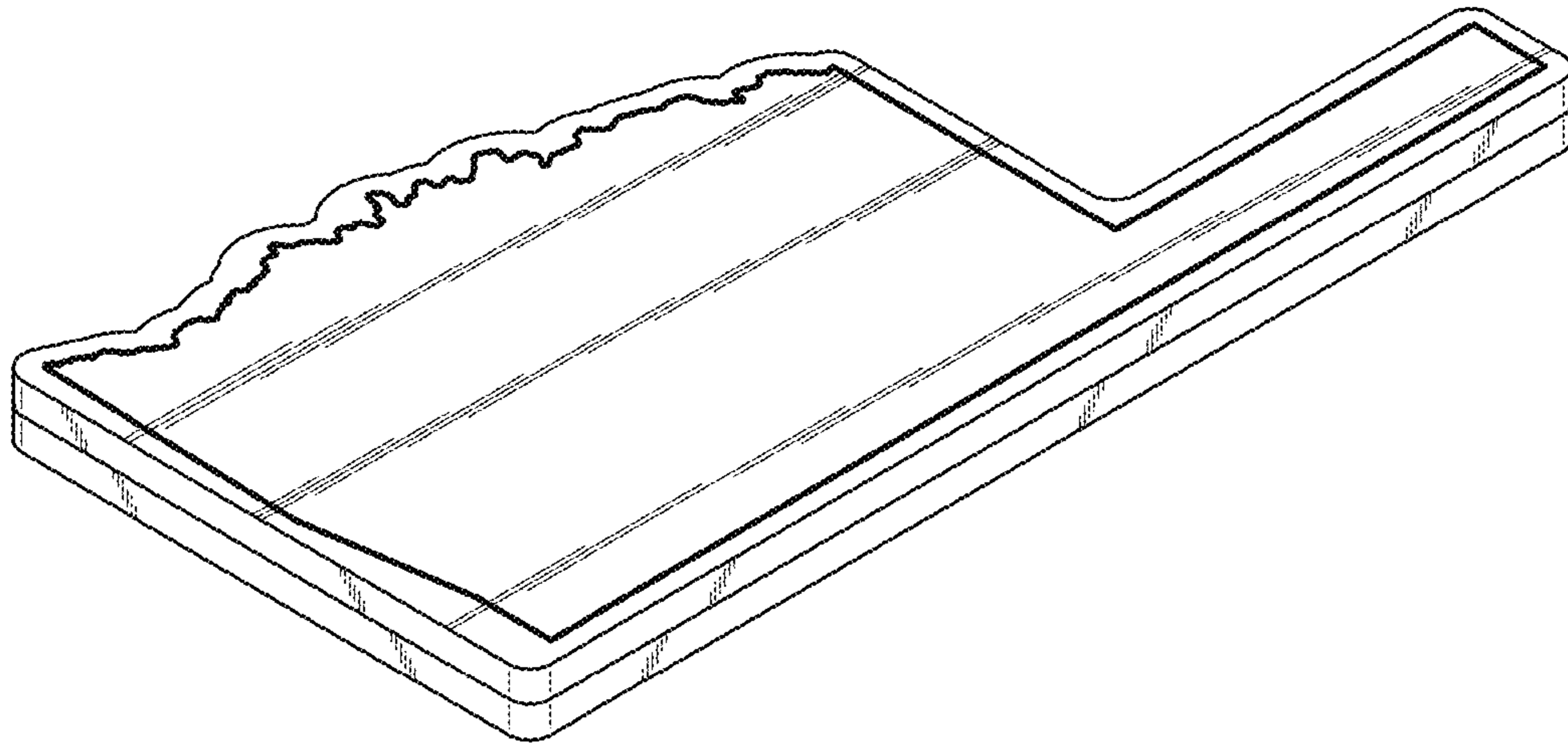
FIG. 1 is a front elevation view showing the hand sign of Applicant's invention;  
FIG. 2 is a right side upper isometric view thereof;  
FIG. 3 is a right side upper isometric view thereof with the hand sign rotated;  
FIG. 4 is a front elevation view thereof; and,  
FIG. 5 is a right side upper isometric view thereof with the hand sign expanded.  
The broken lines illustrate environment and form no part of the claimed design.

**1 Claim, 3 Drawing Sheets**

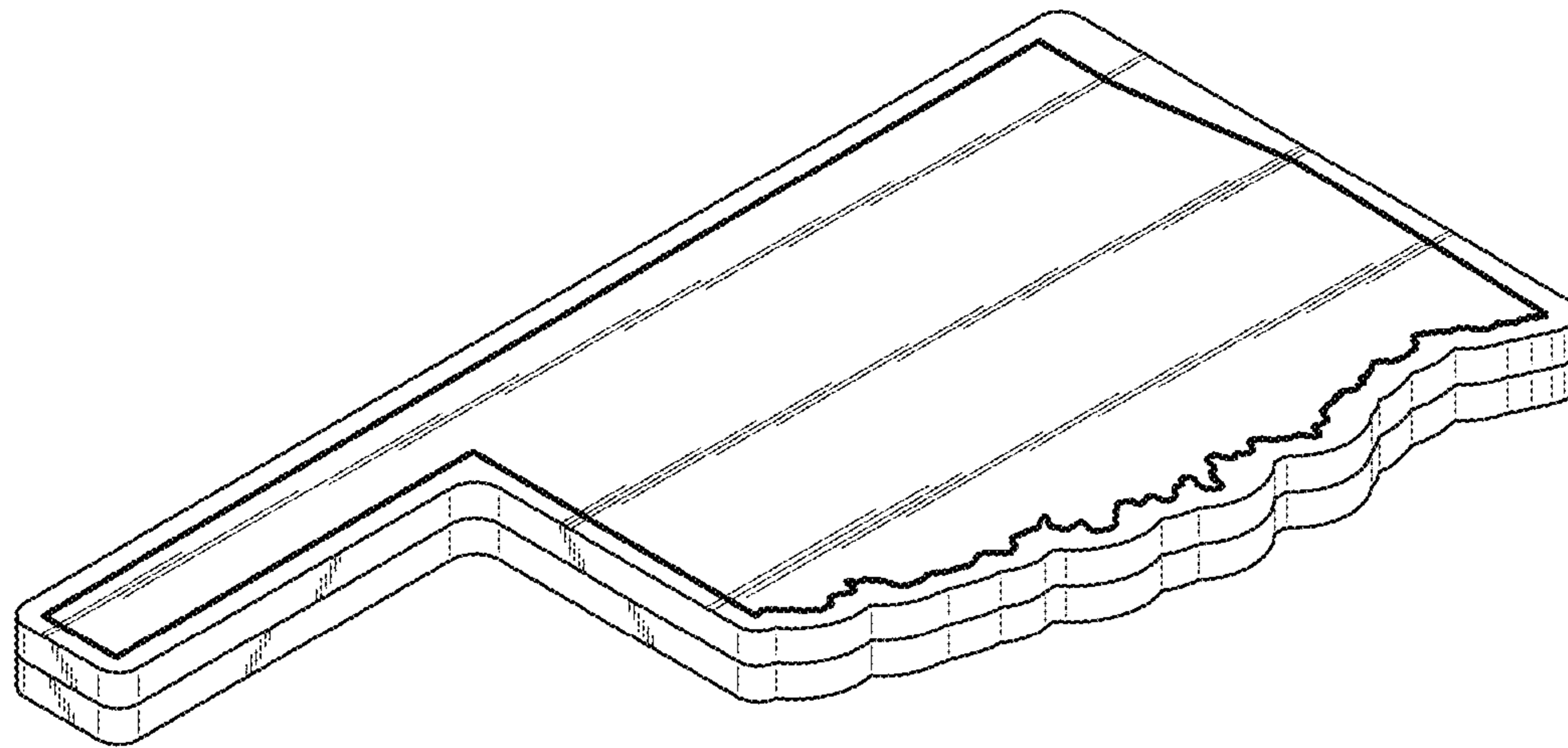




**FIG. 1**



*FIG. 2*



*FIG. 3*

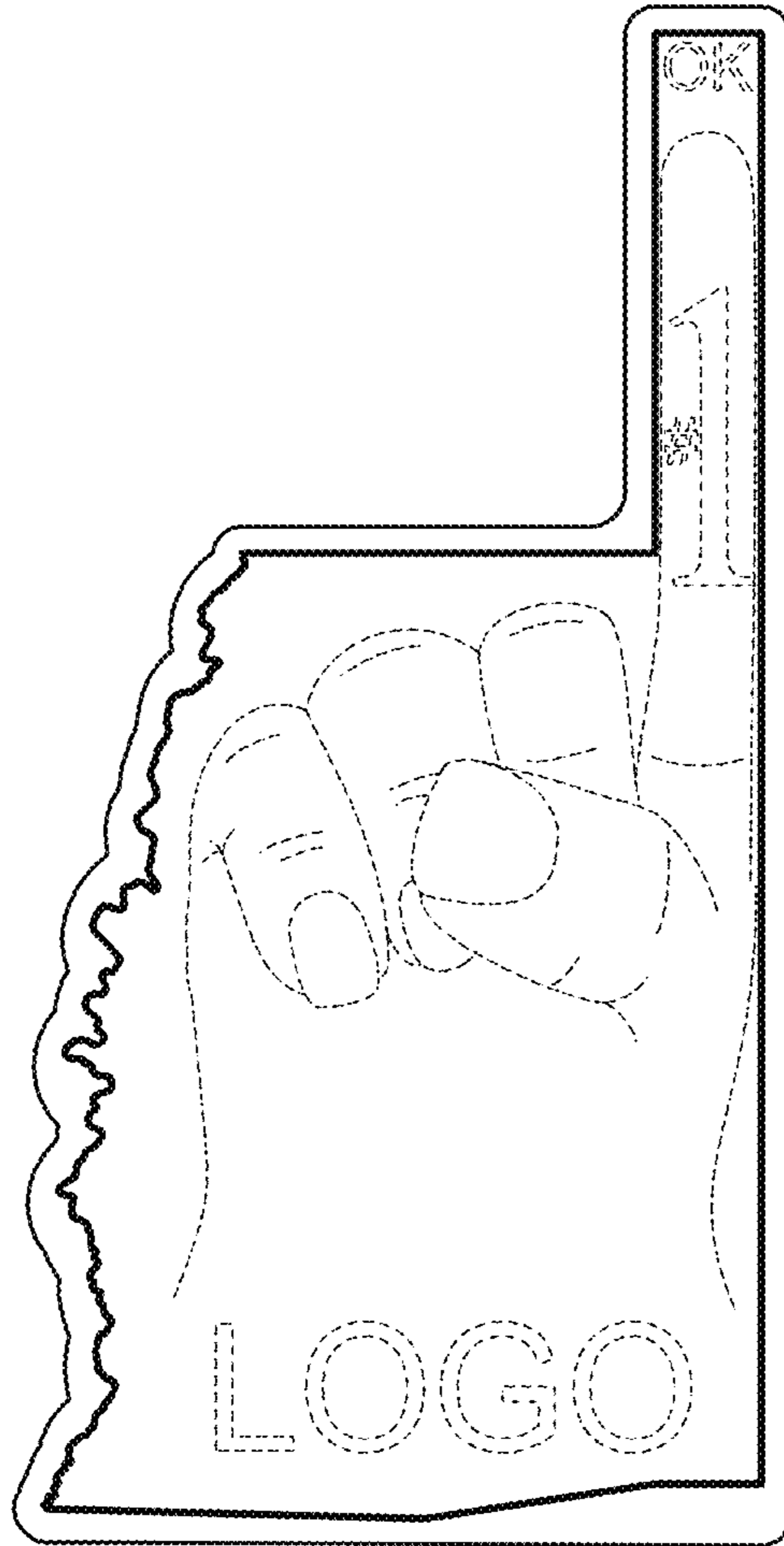


FIG. 4

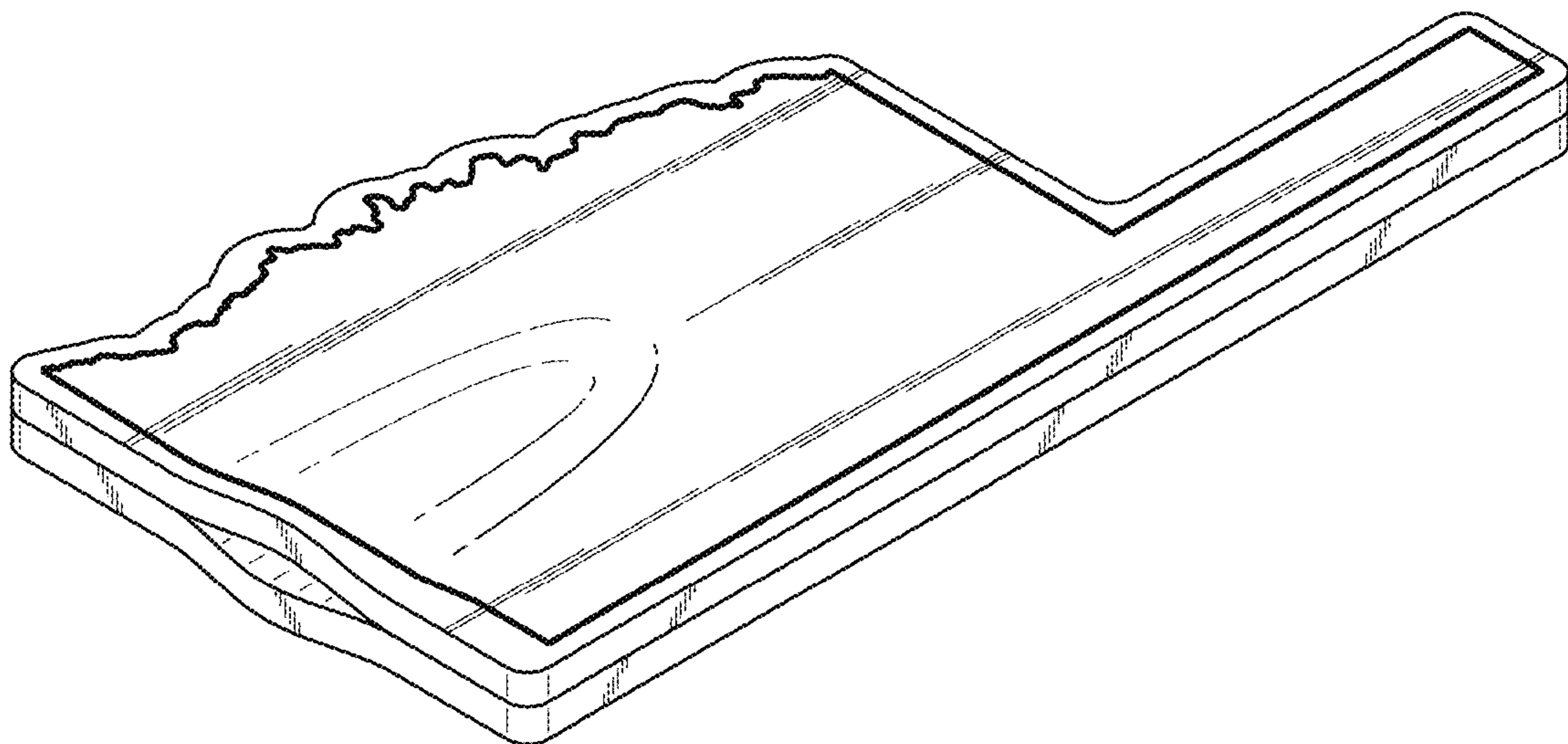


FIG. 5