



US00D772984S

(12) **United States Design Patent** (10) **Patent No.:** **US D772,984 S**
Canchola et al. (45) **Date of Patent:** **** Nov. 29, 2016**

(54) **WRISTBAND WITH A DETACHABLE FLAG LABEL**

FOREIGN PATENT DOCUMENTS

WO 2005017883 A2 2/2005

(71) Applicants: **Kim Canchola**, Canyon Country, CA (US); **Ronald G. Ennis**, Los Angeles, CA (US); **Shane Taghavi**, Valencia, CA (US)

OTHER PUBLICATIONS

Medi-Dose EPS, LiquiDose Flag and Receipt Labels—Small Thermal—LDF200-T, Product Information, Copyright 2010 The Medi-Dose Group (Medi-Dose / EPS / Vu-Pak), <http://www.medidose.com/FlagandReceiptLabels-SmallThermal-LDF200-T.aspx>, Printed May 21, 2014.

(72) Inventors: **Kim Canchola**, Canyon Country, CA (US); **Ronald G. Ennis**, Los Angeles, CA (US); **Shane Taghavi**, Valencia, CA (US)

Primary Examiner — Mary Ann Calabrese

(74) *Attorney, Agent, or Firm* — Quarles & Brady LLP

(73) Assignee: **Precision Dynamics Corporation**, Valencia, CA (US)

(57) **CLAIM**

The ornamental design for a wristband with a detachable flag label, as shown and described.

(**) Term: **14 Years**

DESCRIPTION

(21) Appl. No.: **29/502,335**

FIG. 1 is a top, front, and left perspective view of a wristband with a detachable flag label having the flag label attached thereto, according to our new design;

(22) Filed: **Sep. 15, 2014**

FIG. 2 is a top plan view of the wristband with a detachable flag label of FIG. 1;

(51) **LOC (10) Cl.** **19-08**

FIG. 3 is a bottom plan view of the wristband with a detachable flag label of FIG. 1;

(52) **U.S. Cl.**

USPC **D20/22**

FIG. 4 is a front elevational view of the wristband with a detachable flag label of FIG. 1;

(58) **Field of Classification Search**

USPC D20/10, 11, 19, 22–28, 40, 99; D11/3, D11/5; D19/1, 2, 4, 9, 10

FIG. 5 is a rear elevational view of the wristband with a detachable flag label of FIG. 1;

CPC G09F 1/00; G09F 1/02; G09F 1/06;

G09F 1/10; G09F 1/12; G09F 3/00; G09F

FIG. 6 is a left elevational view of the wristband with a detachable flag label of FIG. 1;

3/02; G09F 3/04; G09F 3/08; G09F 3/14;

FIG. 7 is a right elevational view of the wristband with a detachable flag label of FIG. 1;

G09F 3/16; G09F 3/20; G09F 3/203; G09F

FIG. 8 is a detailed view of the wristband with a detachable flag label taken from line 8-8 of FIG. 1; and,

3/207; G09F 3/0288; G09F 3/0289; G09F

FIG. 9 is an exploded view showing the flag label being separated from the remainder of the wristband.

3/0298; G09F 2003/0208; G09F 2003/0264;

G09F 2003/0266; G09F 2003/0272; G09F

The broken lines illustrate boundaries, text, and barcodes that form no part of the claimed design.

2003/0273; G09F 2003/0285

See application file for complete search history.

In a preferred embodiment, the nature of this product is as a wristband with a detachable flag label for a medical patient in which a flag label is detachable from the wristband for attachment to a vial or the like.

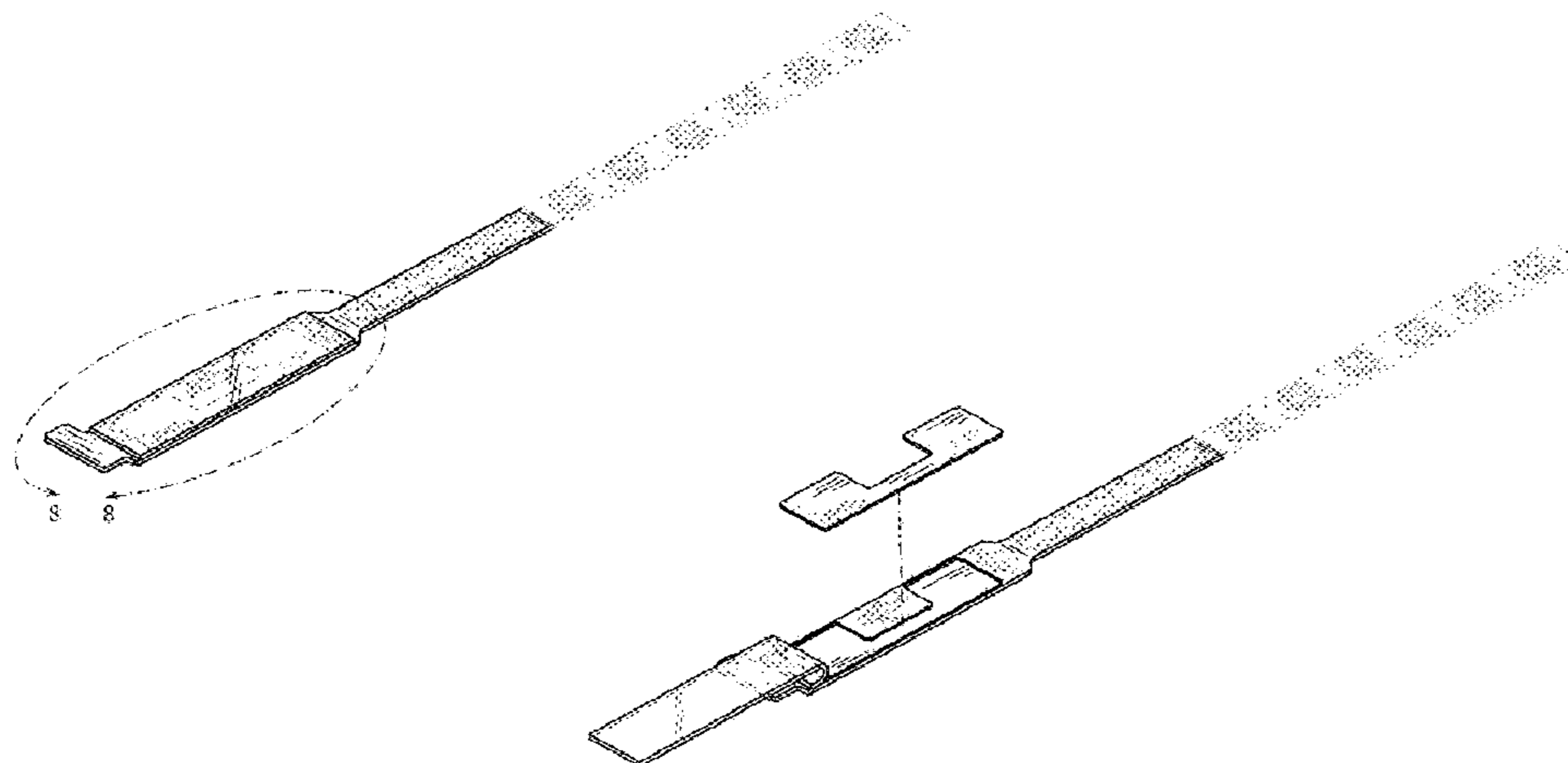
(56) **References Cited**

U.S. PATENT DOCUMENTS

4,921,277 A 5/1990 McDonough
D519,871 S * 5/2006 Curtis D11/3

(Continued)

1 Claim, 5 Drawing Sheets



(56)

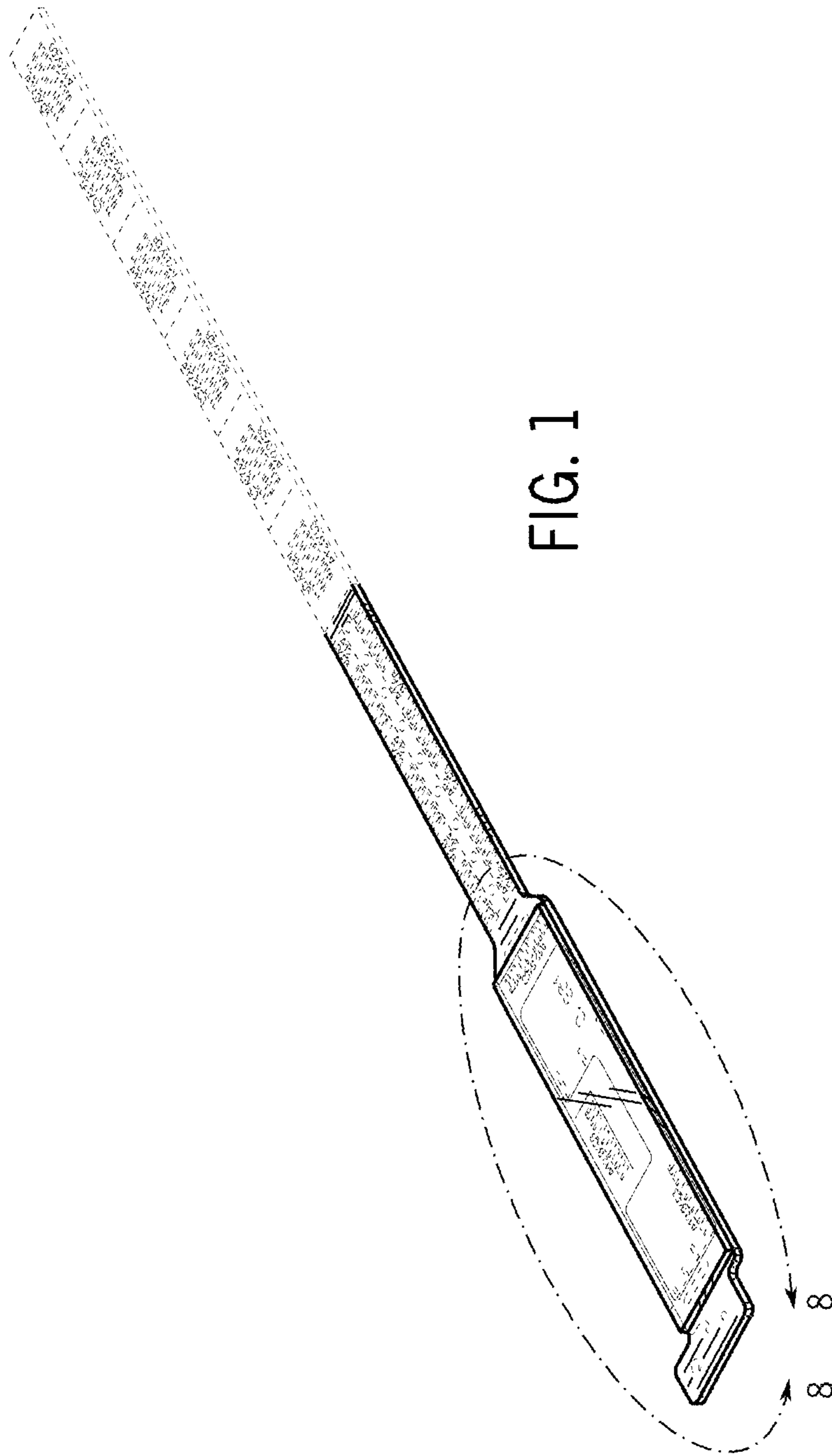
References Cited

U.S. PATENT DOCUMENTS

7,047,682 B2 5/2006 Riley
 7,119,690 B2* 10/2006 Lerch G06K 19/07381
 340/568.2
 RE41,822 E * 10/2010 Henley D20/19
 7,941,949 B2 5/2011 Cloninger
 D653,148 S * 1/2012 Bekker D11/3
 8,296,982 B2 10/2012 Bekker
 8,490,307 B2* 7/2013 Landsman A44C 5/0015
 40/633

D703,755 S * 4/2014 Joseph D11/3
 D703,756 S * 4/2014 Ennis D11/3
 D707,296 S 6/2014 Joseph et al.
 D712,295 S * 9/2014 Ennis D11/3
 2006/0202829 A1* 9/2006 Girvin G06K 19/07381
 340/572.3
 2006/0230661 A1* 10/2006 Bekker G09F 3/005
 40/633
 2012/0036753 A1* 2/2012 Landsman A44C 5/0015
 40/633
 2012/0313364 A1* 12/2012 Tessitore G09F 3/005
 283/70

* cited by examiner



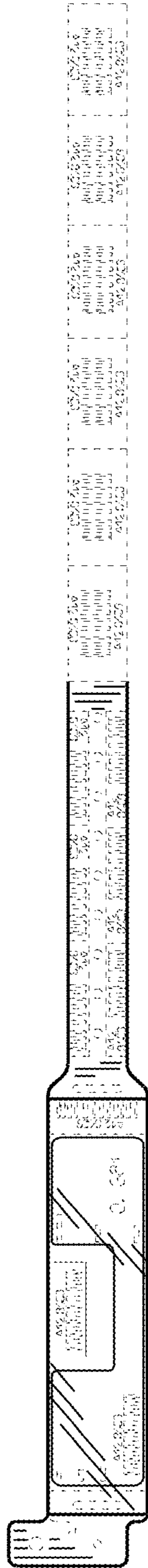


FIG. 2

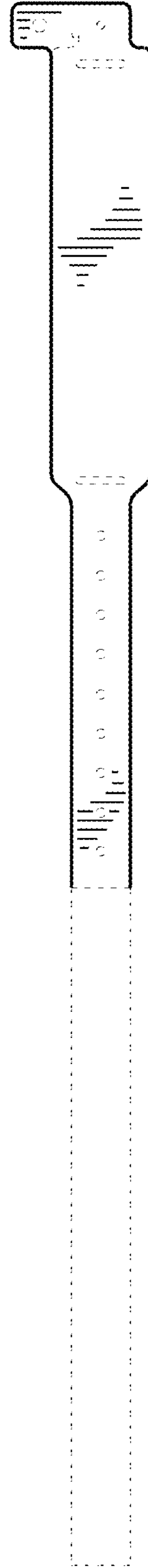


FIG. 3



FIG. 4



FIG. 5



FIG. 6

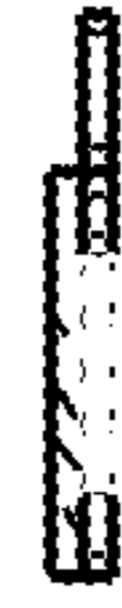


FIG. 7

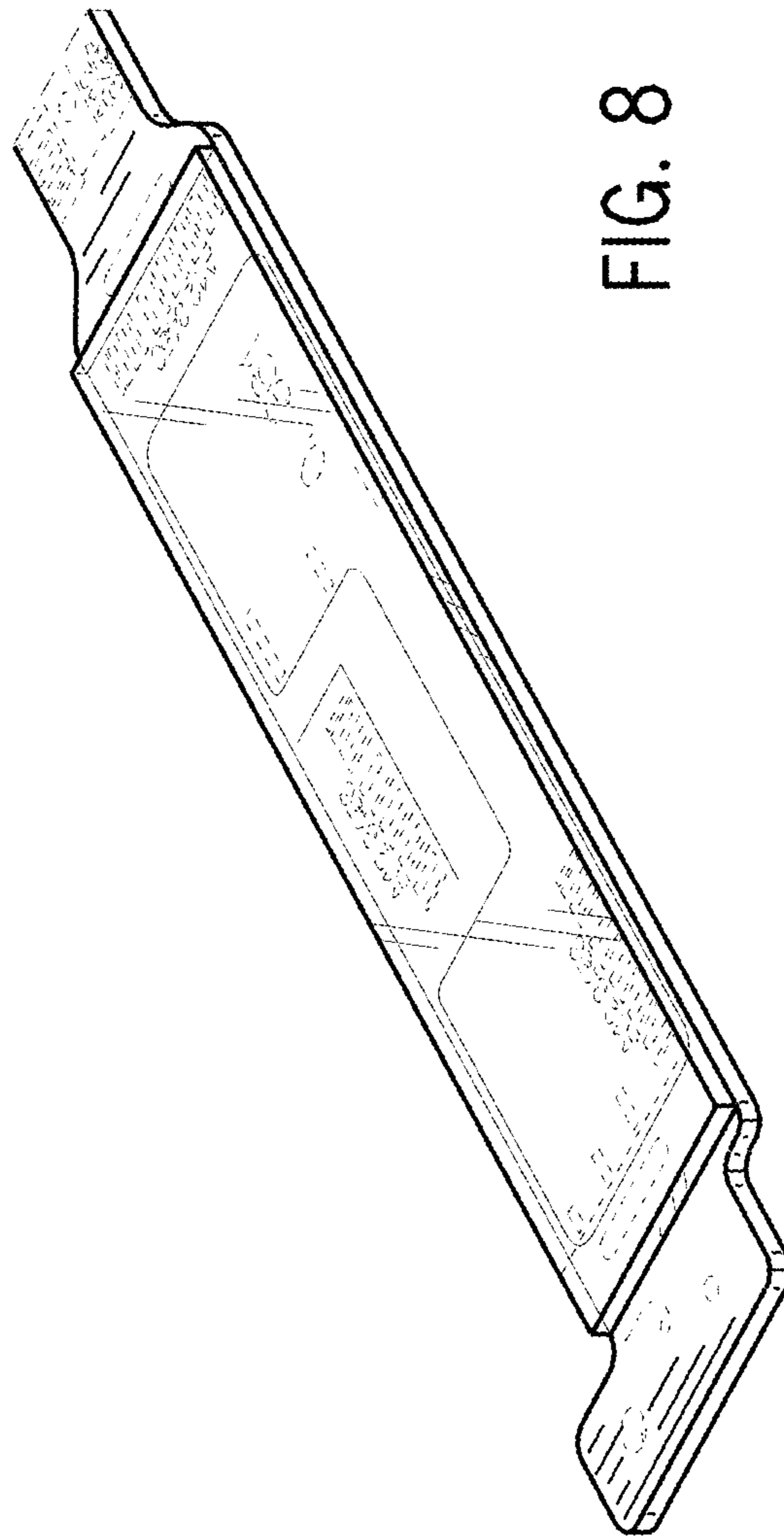


FIG. 8

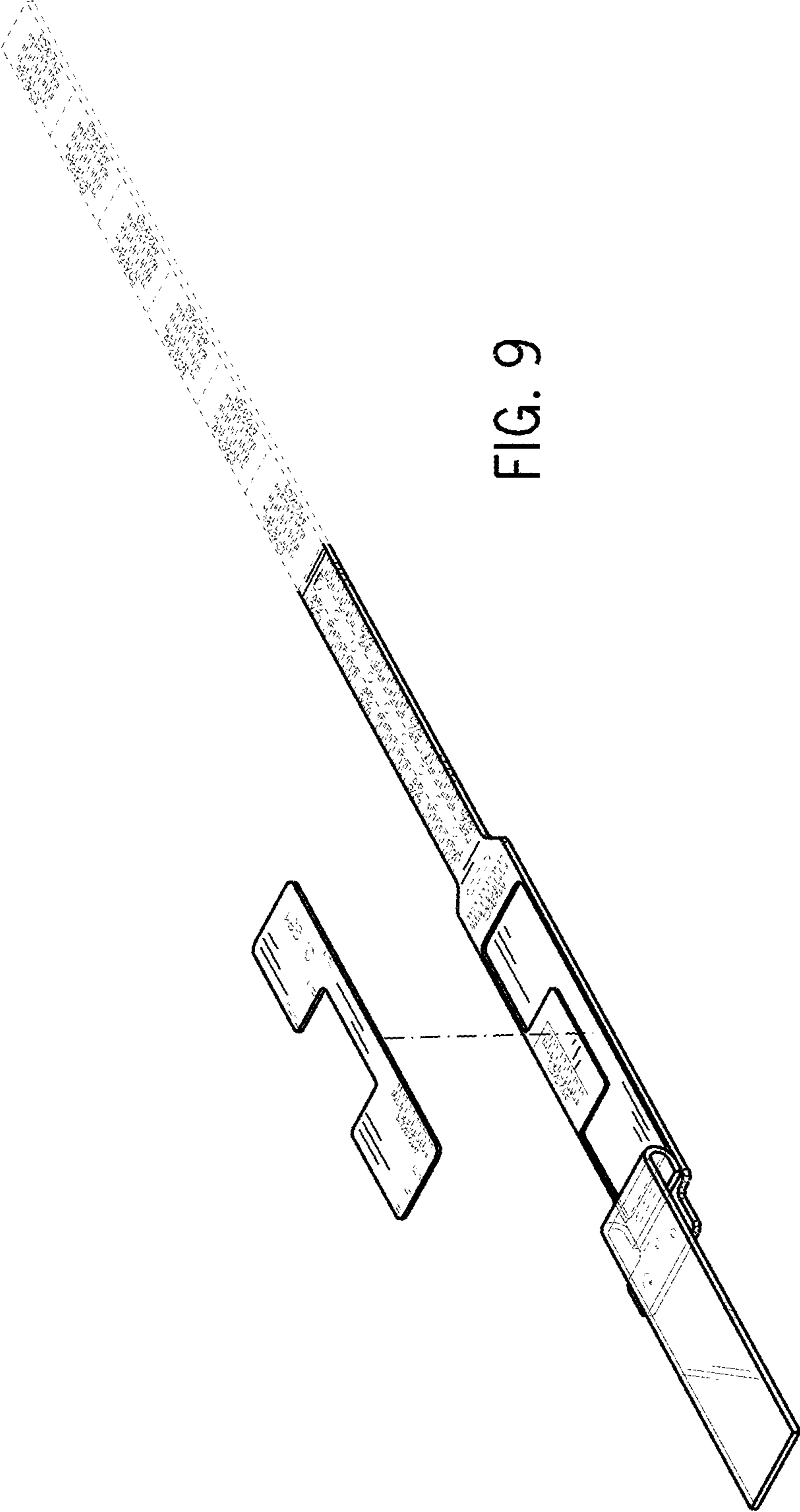


FIG. 9