



US00D772980S

(12) **United States Design Patent** (10) **Patent No.:** **US D772,980 S**
Goodman et al. (45) **Date of Patent:** **** Nov. 29, 2016**

- (54) **MAIL AND KEY HOLDER**
- (71) Applicant: **Spectrum Diversified Designs, Inc.**,
Streetsboro, OH (US)
- (72) Inventors: **Sheldon H. Goodman**, Solon, OH
(US); **Phaysouk Xayoiphonh**, Akron,
OH (US)
- (73) Assignee: **Spectrum Diversified Designs, LLC**,
Streetsboro, OH (US)
- (**) Term: **15 Years**
- (21) Appl. No.: **29/543,432**
- (22) Filed: **Oct. 23, 2015**
- (51) **LOC (10) Cl.** **19-02**
- (52) **U.S. Cl.**
USPC **D19/90**
- (58) **Field of Classification Search**
USPC D3/304, 305, 310-315, 207, 208;
D6/407, 627, 675, 683, 683.1, 514,
D6/566, 567; D7/600.1-600.4, 601;
D9/737, 414, 432; D19/75, 77-80,
D19/86-87, 90-92
CPC B42F 7/10; B42F 7/12; B42F 7/06;
B42F 7/145; B42F 17/02; B42F 17/12;
B43M 99/00; B43M 99/001; B43M 99/008;
A47B 6/00; A47B 47/00; A47B 47/0033;
A47B 47/0041; B65D 5/566
See application file for complete search history.

(56) **References Cited**

U.S. PATENT DOCUMENTS

D437,165 S	*	2/2001	Goodman et al.	D7/600.4
D452,533 S	*	12/2001	Goodman et al.	D19/90
D466,396 S	*	12/2002	Snell	D6/513
D484,345 S	*	12/2003	Clucas	D6/566
D568,116 S	*	5/2008	Goodman et al.	D6/525
D584,091 S	*	1/2009	Goodman et al.	D6/566
D587,053 S	*	2/2009	Goodman et al.	D19/90

D592,251 S	*	5/2009	Goodman et al.	D19/90
D594,064 S	*	6/2009	Goodman et al.	D19/90
D601,632 S	*	10/2009	Goodman et al.	D19/90
D628,842 S	*	12/2010	Guindi	D6/566
D639,594 S	*	6/2011	Goodman et al.	D6/572
D643,663 S	*	8/2011	Goodman et al.	D6/566
D649,822 S	*	12/2011	Goodman et al.	D6/566
D666,855 S	*	9/2012	Goodman et al.	D6/566
D666,856 S	*	9/2012	Goodman et al.	D6/566
D666,859 S	*	9/2012	Goodman et al.	D6/566
D667,250 S	*	9/2012	Goodman et al.	D6/566
D675,049 S	*	1/2013	Goodman et al.	D6/513
D675,466 S	*	2/2013	Goodman et al.	D6/566
D705,577 S	*	5/2014	Goodman et al.	D6/566
D710,628 S	*	8/2014	Goodman et al.	D6/566
D734,818 S	*	7/2015	Goodman et al.	D19/90

OTHER PUBLICATIONS

Design U.S. Appl. No. 29/509,483, filed Nov. 18, 2014.
Design U.S. Appl. No. 29/519,052, filed Mar. 2, 2015.

* cited by examiner

Primary Examiner — Elizabeth Albert

(74) *Attorney, Agent, or Firm* — Renner, Otto, Boisselle
& Sklar, LLP

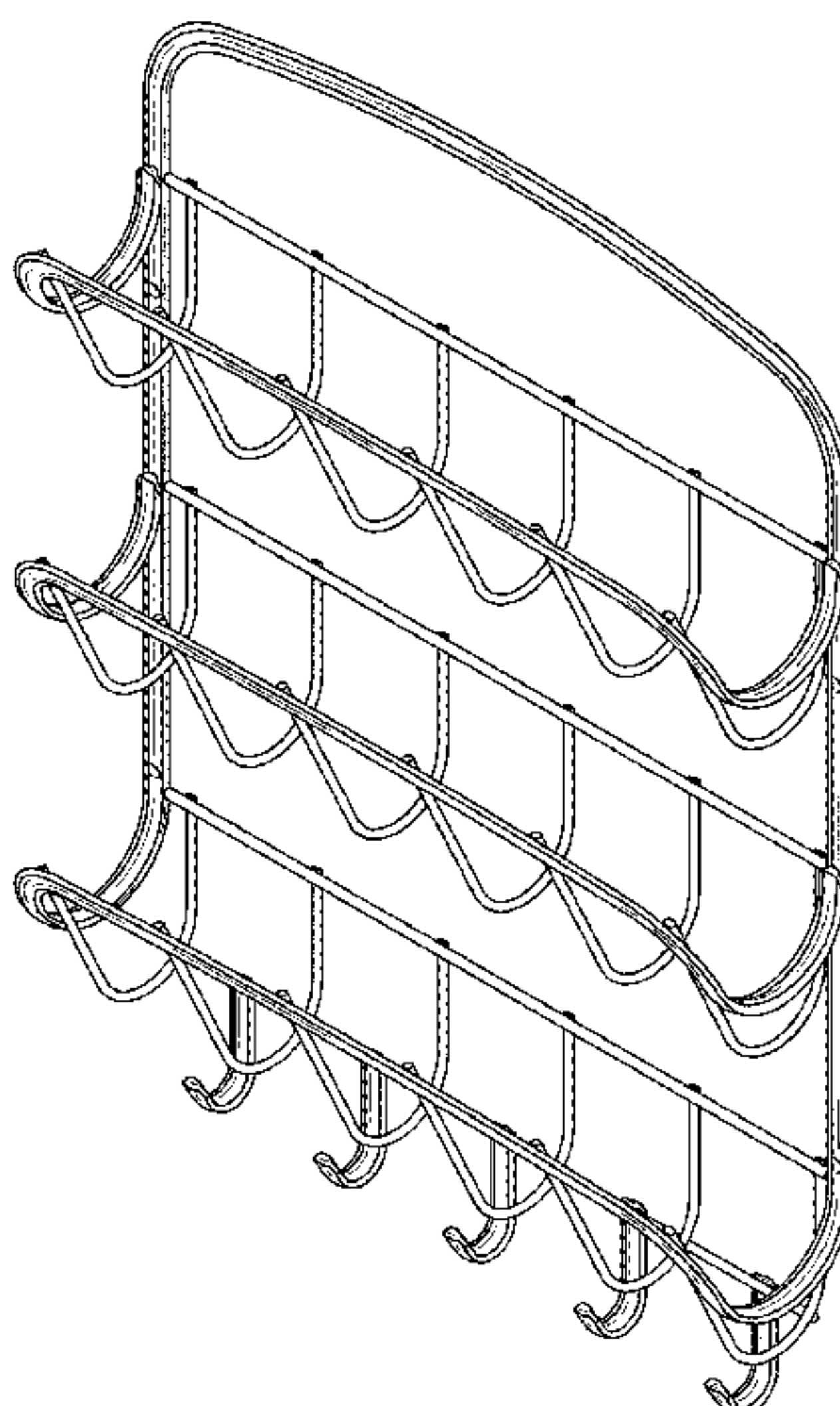
(57) **CLAIM**

The ornamental design for a mail and key holder, as shown
and described.

DESCRIPTION

FIG. 1 is a perspective view of a mail and key holder
showing our new design;
FIG. 2 is a front view thereof;
FIG. 3 is a rear view thereof;
FIG. 4 is a right side view thereof, a left side view being a
mirror image of the right side view;
FIG. 5 is a top view thereof; and,
FIG. 6 is a bottom view thereof.
The broken lines shown in the drawings are for illustrative
purposes only and form no part of the claimed design.

1 Claim, 5 Drawing Sheets



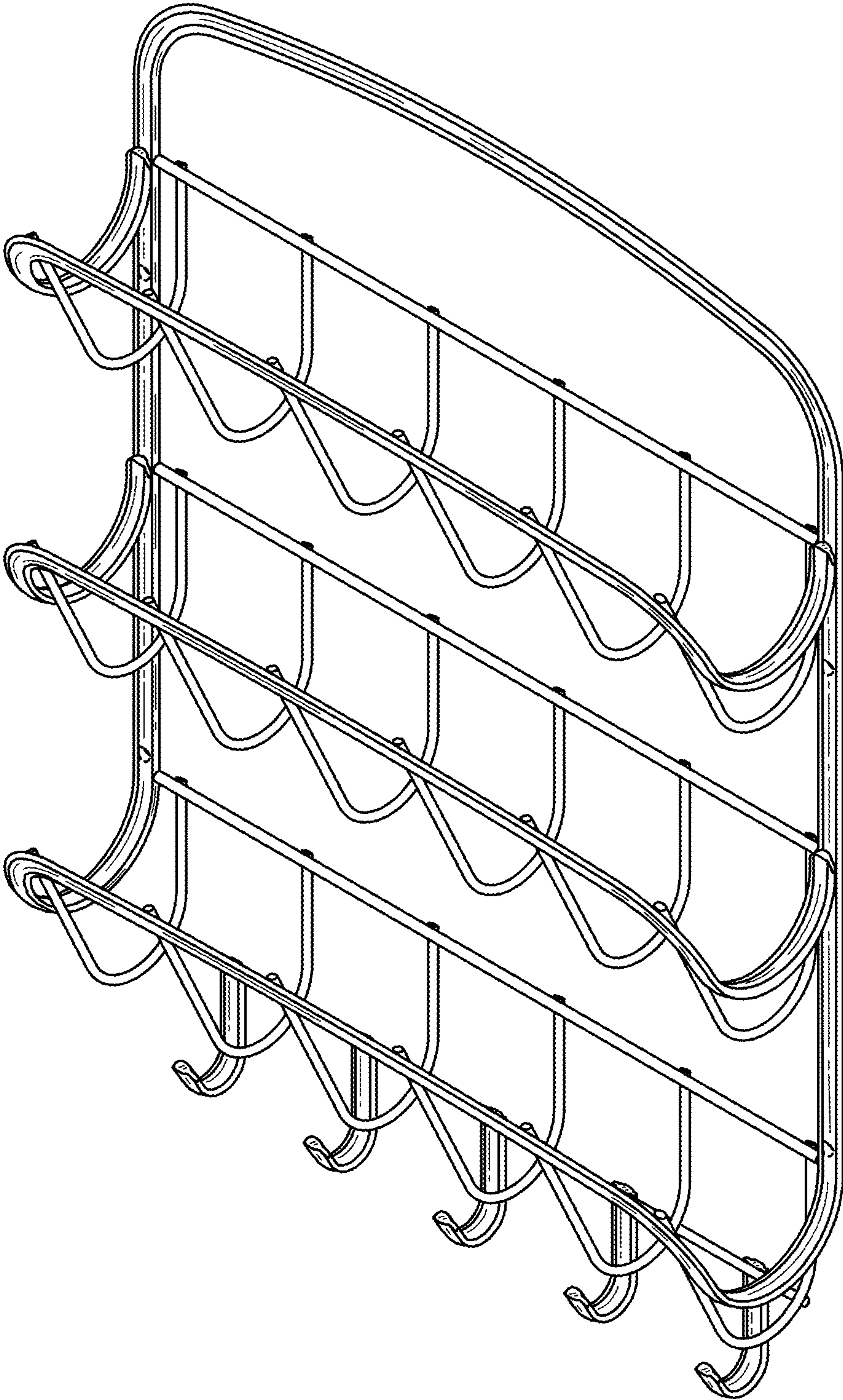


FIG. 1

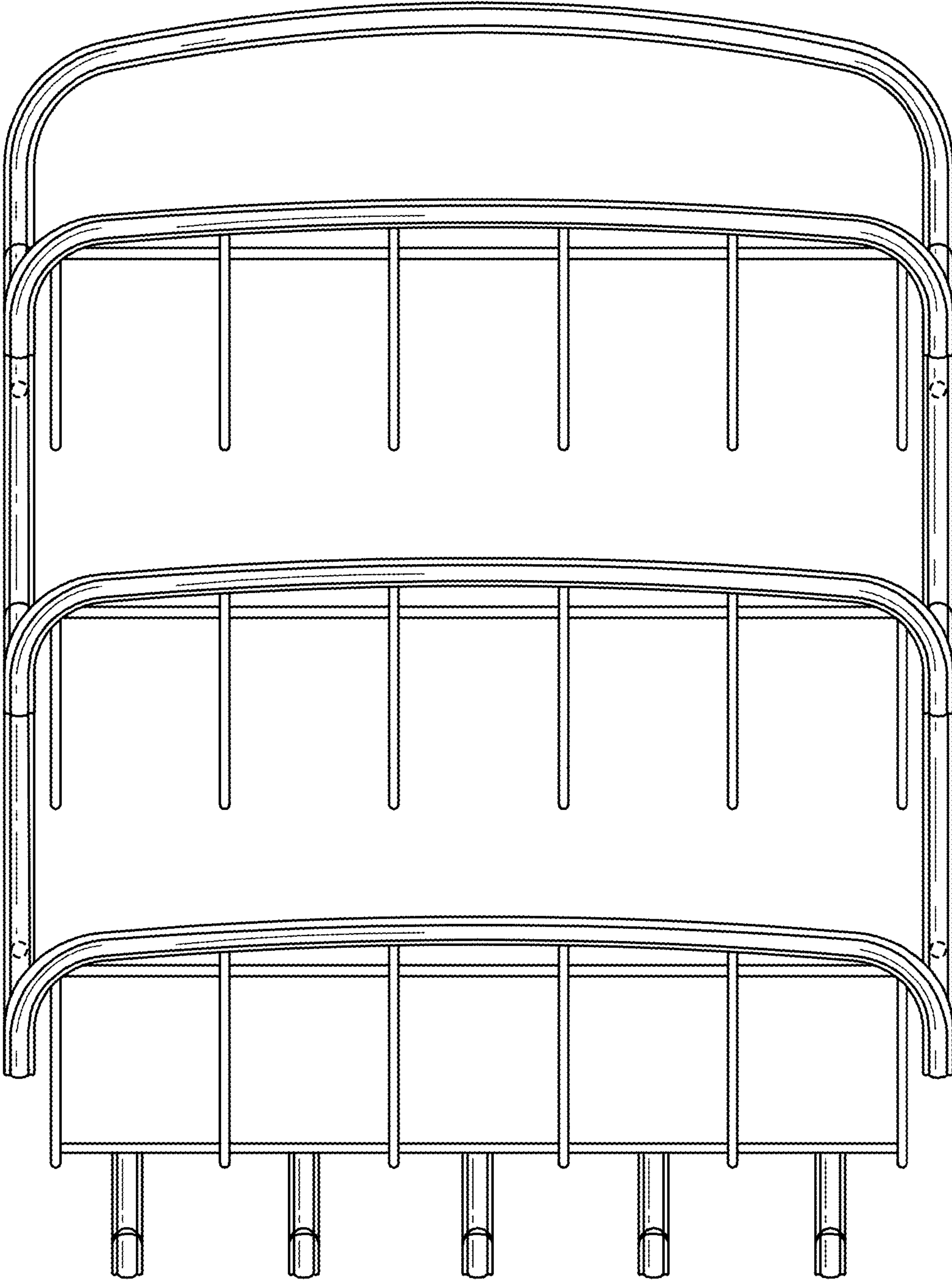


FIG. 2

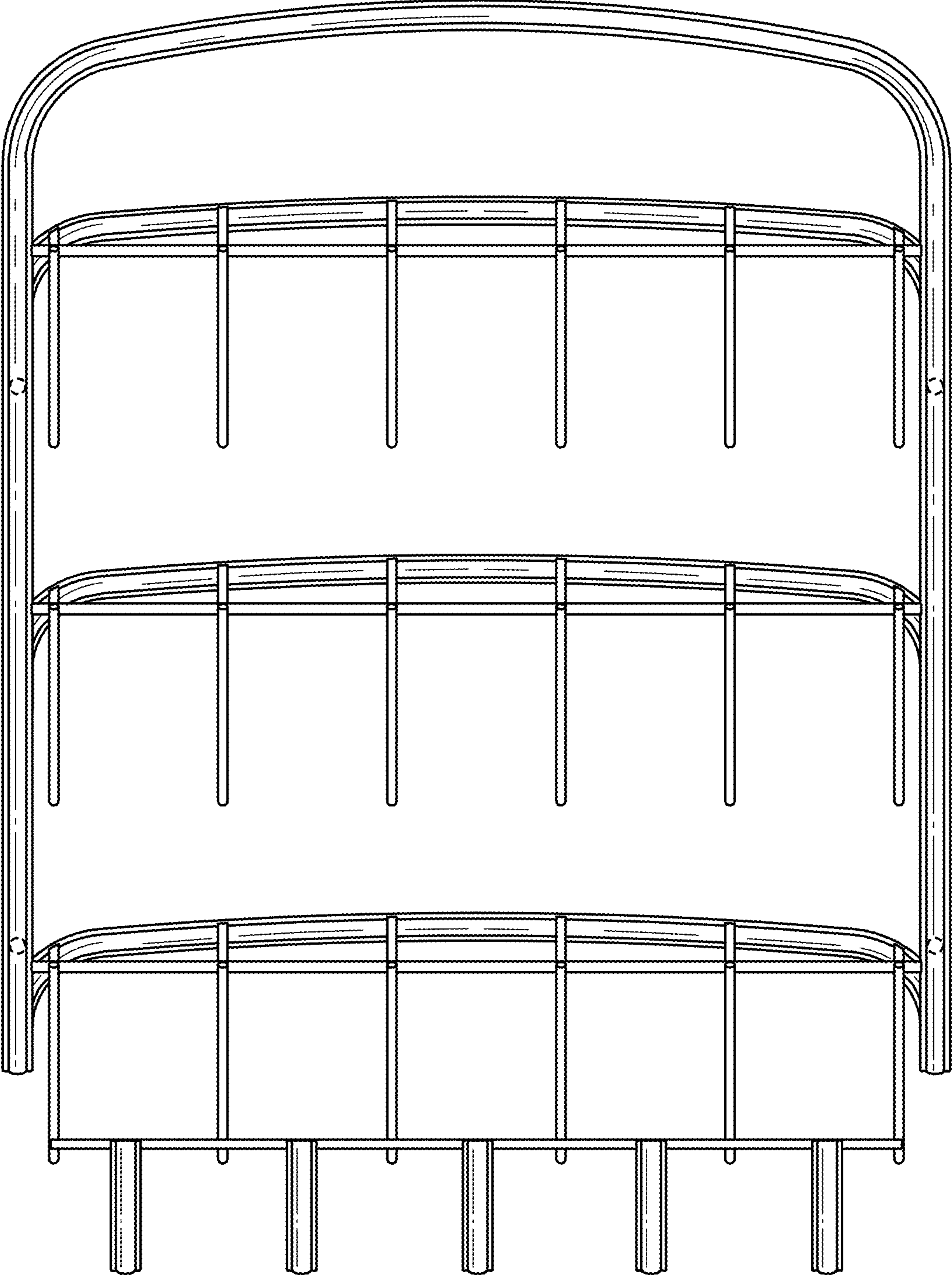


FIG. 3

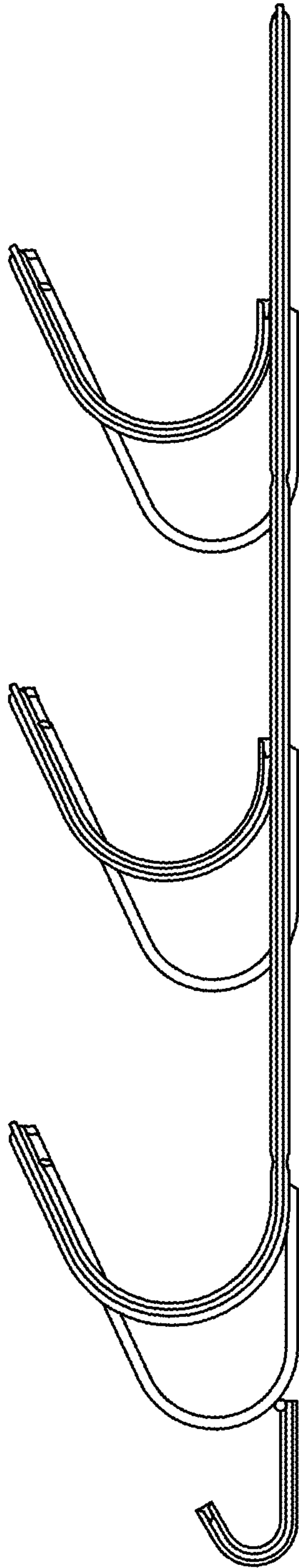


FIG. 4

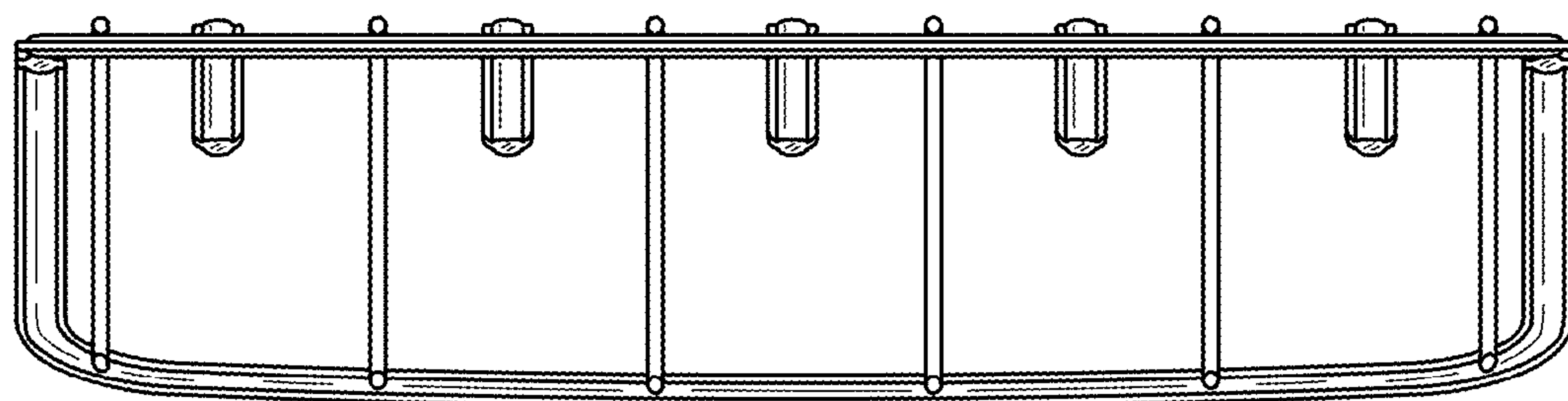


FIG. 5

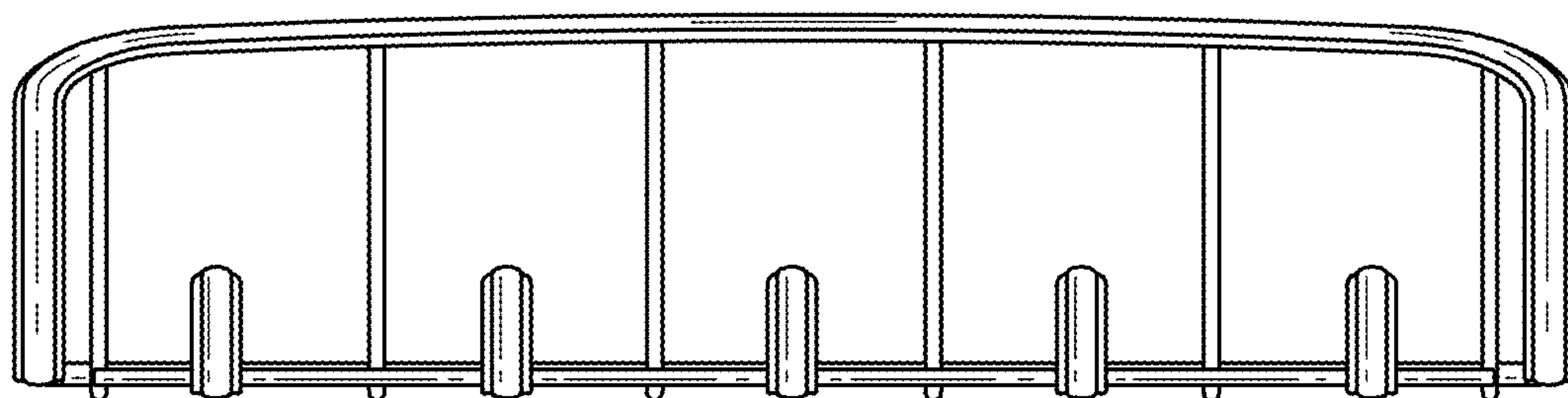


FIG. 6