



US00D772978S

(12) **United States Design Patent**  
**Parham et al.**

(10) **Patent No.:** **US D772,978 S**

(45) **Date of Patent:** **\*\* Nov. 29, 2016**

(54) **WEARABLE SENSING DEVICE**

(71) Applicant: **MUV INTERACTIVE LTD.**, Herzliya Pituach (IL)

(72) Inventors: **Rami Parham**, Beer Yaakov (IL);  
**Shimon Weitzhandler**, Raanana (IL);  
**Menashe Sasson**, Bat-Hefer (IL)

(73) Assignee: **MUV INTERACTIVE LTD.**, Herzliya Pituach (IL)

(\*\*) Term: **15 Years**

(21) Appl. No.: **29/533,103**

(22) Filed: **Jul. 14, 2015**

(51) **LOC (10) Cl.** ..... **19-07**

(52) **U.S. Cl.**  
USPC ..... **D19/59**; D13/173; D14/218; D14/388;  
D21/333

(58) **Field of Classification Search**  
USPC ..... D10/49; D13/168, 173; D14/218, 388,  
D14/412; D19/59, 158, 160; D21/59  
CPC .. G06F 3/0346; G06F 3/0354; G06F 3/0386;  
G06F 3/03542; G06F 3/03543; G06F  
3/03547; G06F 3/044; G06F 3/0425; G06F  
3/0485; G06F 3/0486; G06F 3/0488; G06F  
3/04842; G06F 2203/0331; H04N 9/31  
See application file for complete search history.

(56) **References Cited**

U.S. PATENT DOCUMENTS

D589,462 S \* 3/2009 Tupinier ..... D13/168  
8,843,857 B2 \* 9/2014 Berkes ..... G06F 3/011  
715/763  
9,329,716 B2 \* 5/2016 Parham ..... G06F 3/0414

\* cited by examiner

*Primary Examiner* — Antoine D Davis

(74) *Attorney, Agent, or Firm* — Roach Brown McCarthy  
& Gruber, P.C.; Kevin D. McCarthy

(57) **CLAIM**

The ornamental design for a wearable sensing device, as shown and described.

**DESCRIPTION**

FIG. 1 is a perspective view of the front, the left side, and the top side of a wearable sensing device of the applicant's design;

FIG. 2 is a front view thereof;

FIG. 3 is a rear view thereof;

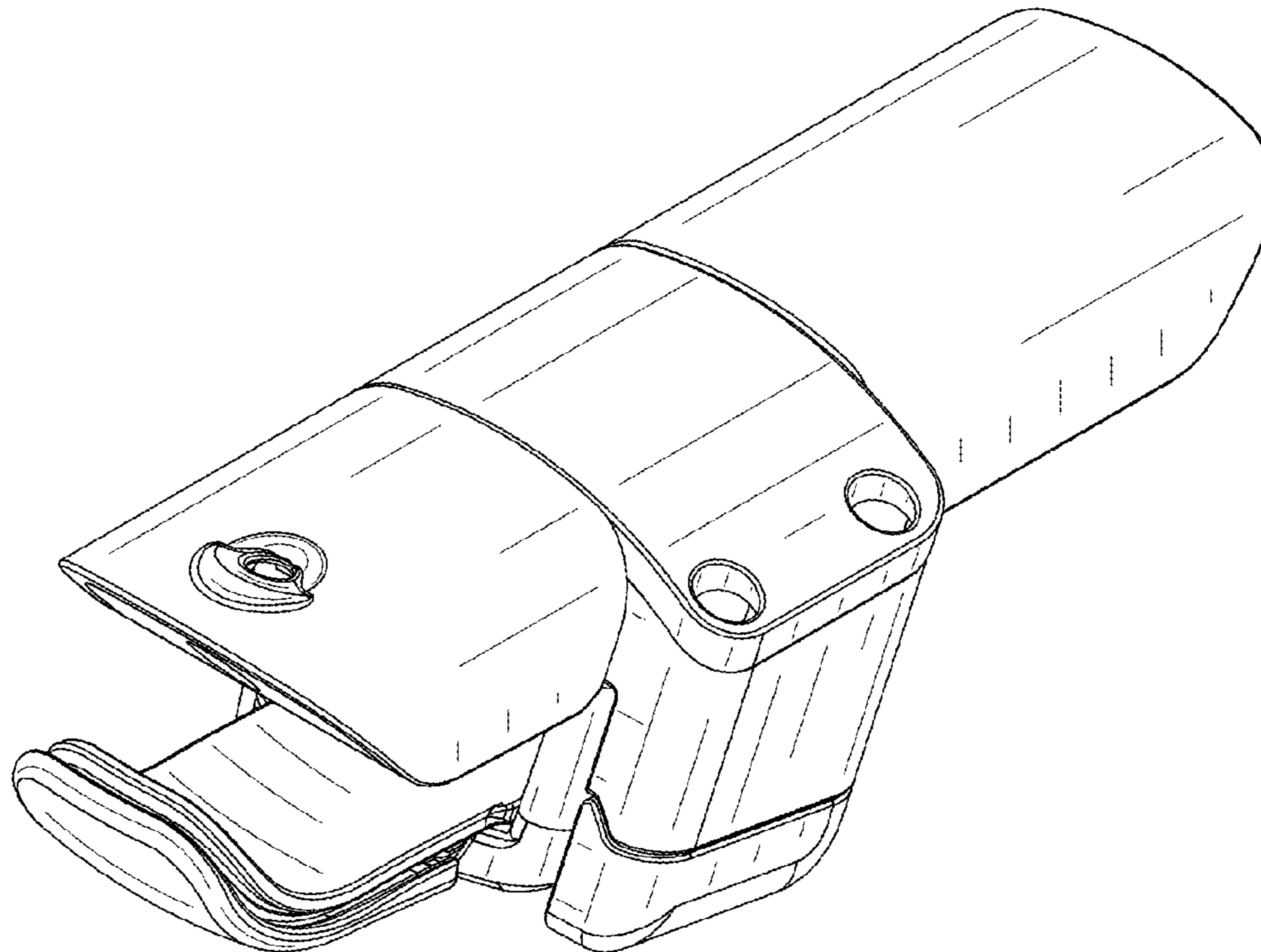
FIG. 4 is a left side view thereof;

FIG. 5 is a right side view thereof;

FIG. 6 is a bottom side view thereof; and,

FIG. 7 is a top side view thereof.

**1 Claim, 4 Drawing Sheets**



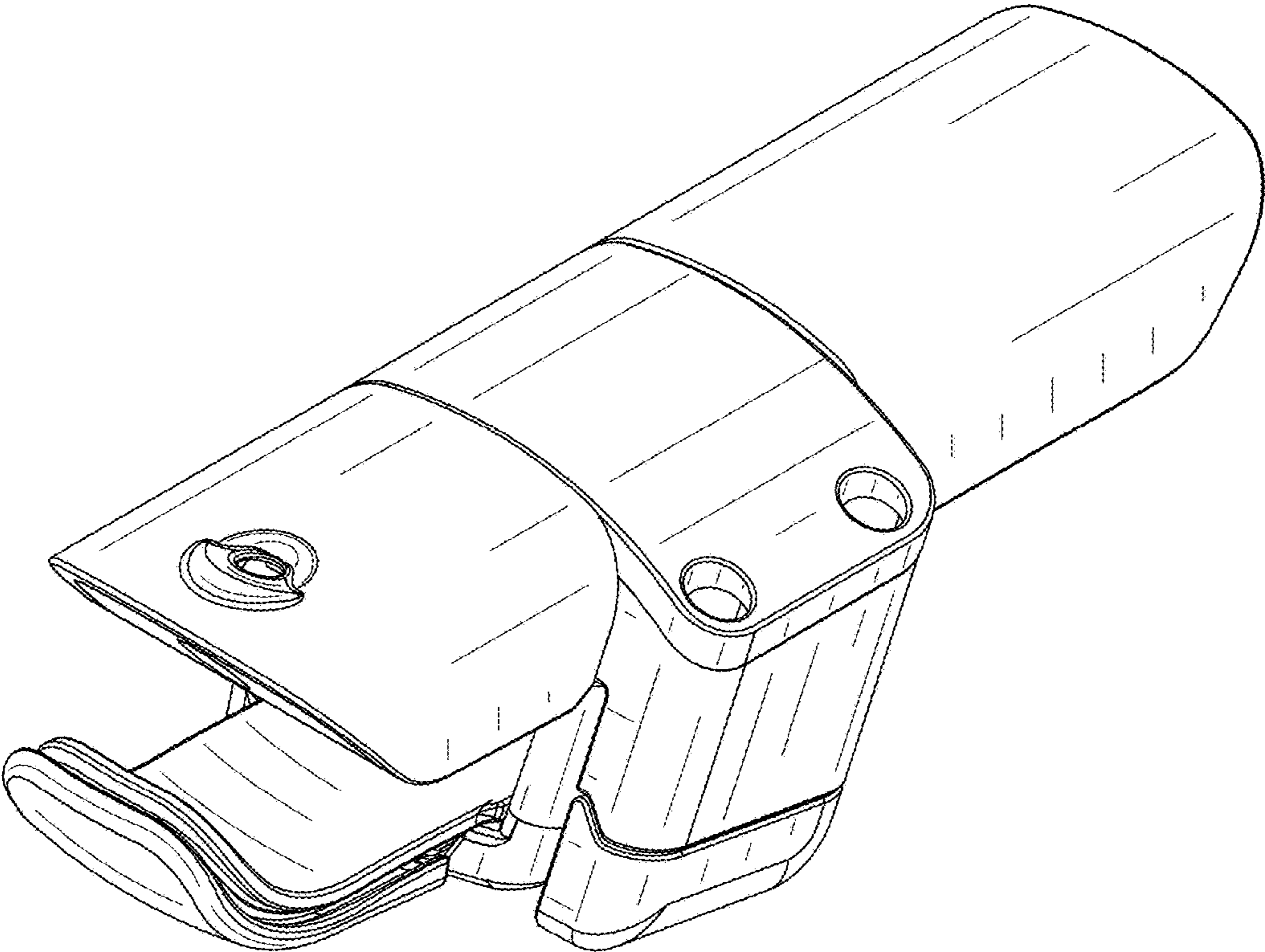


FIG.1

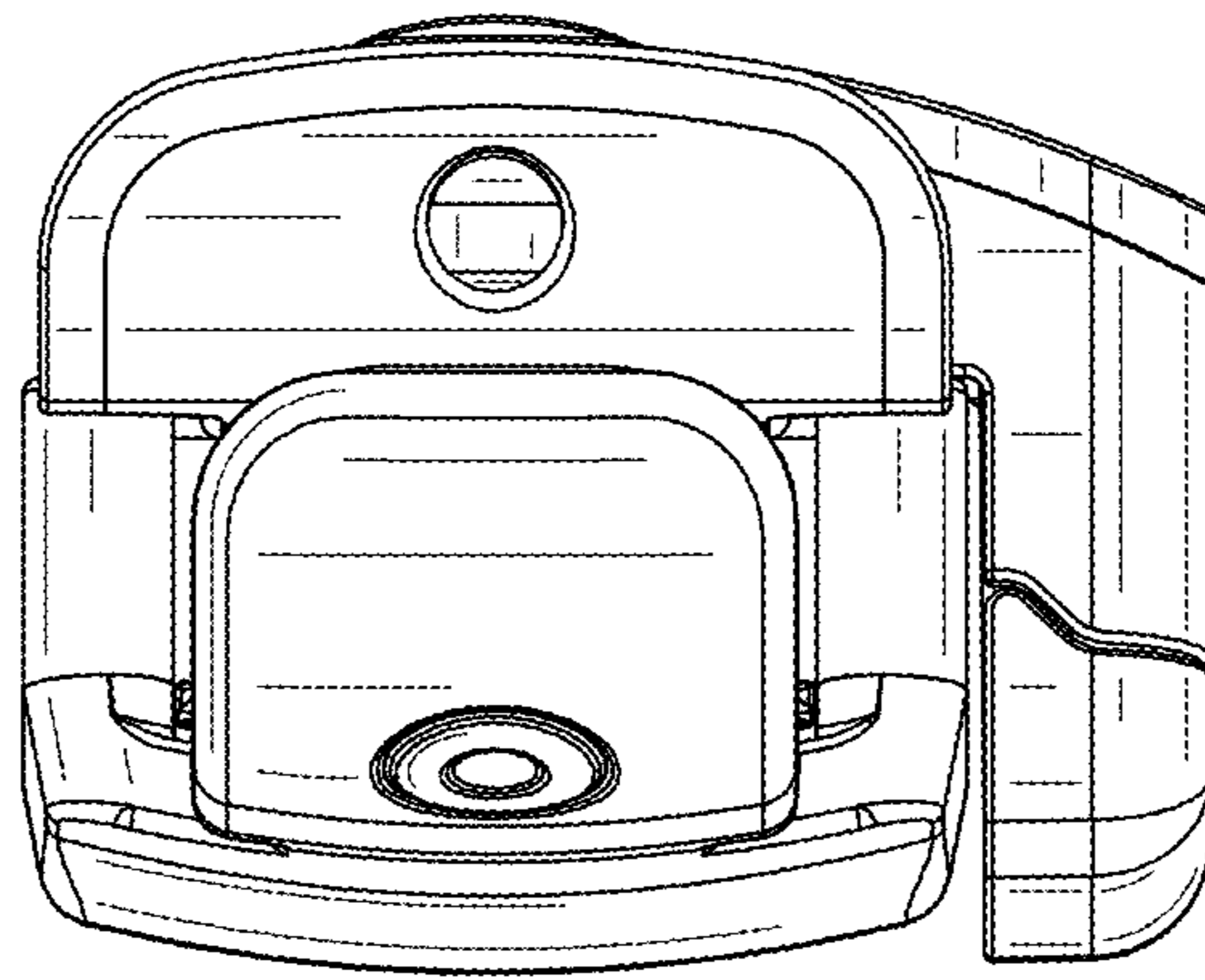


FIG. 2

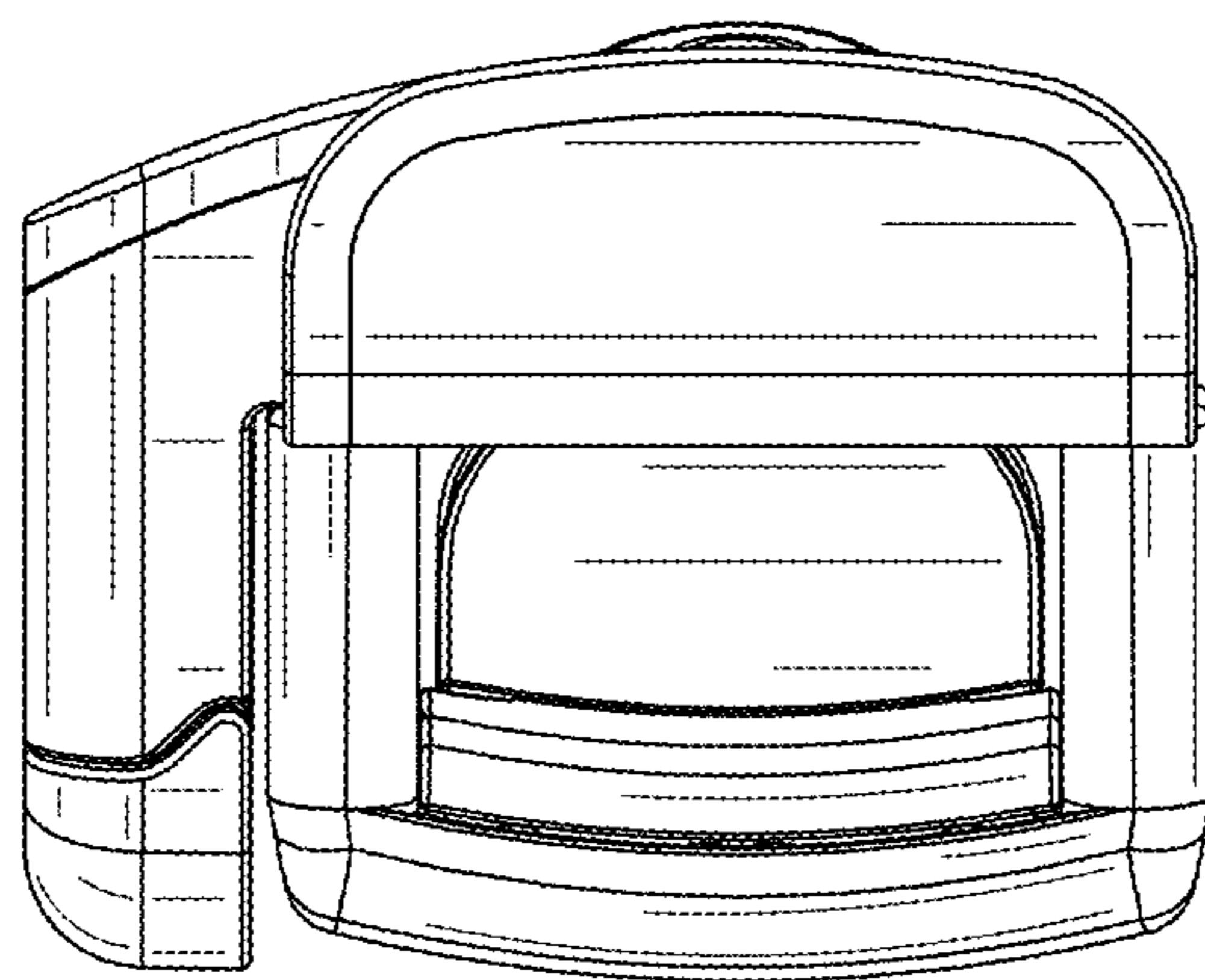


FIG. 3

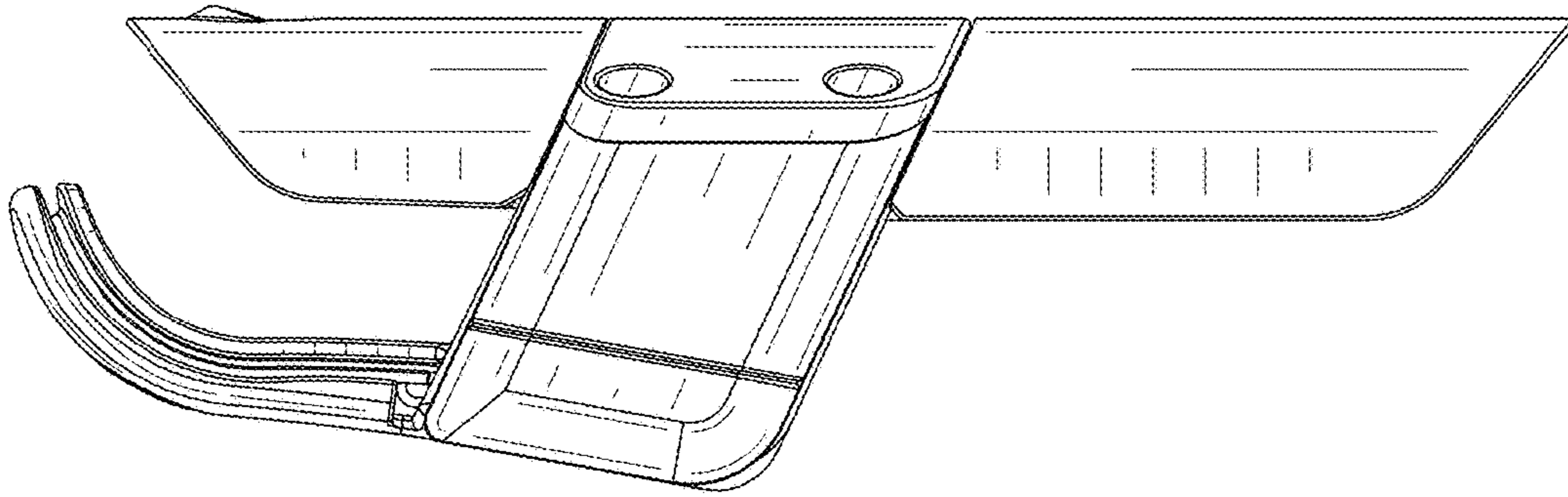


FIG. 4

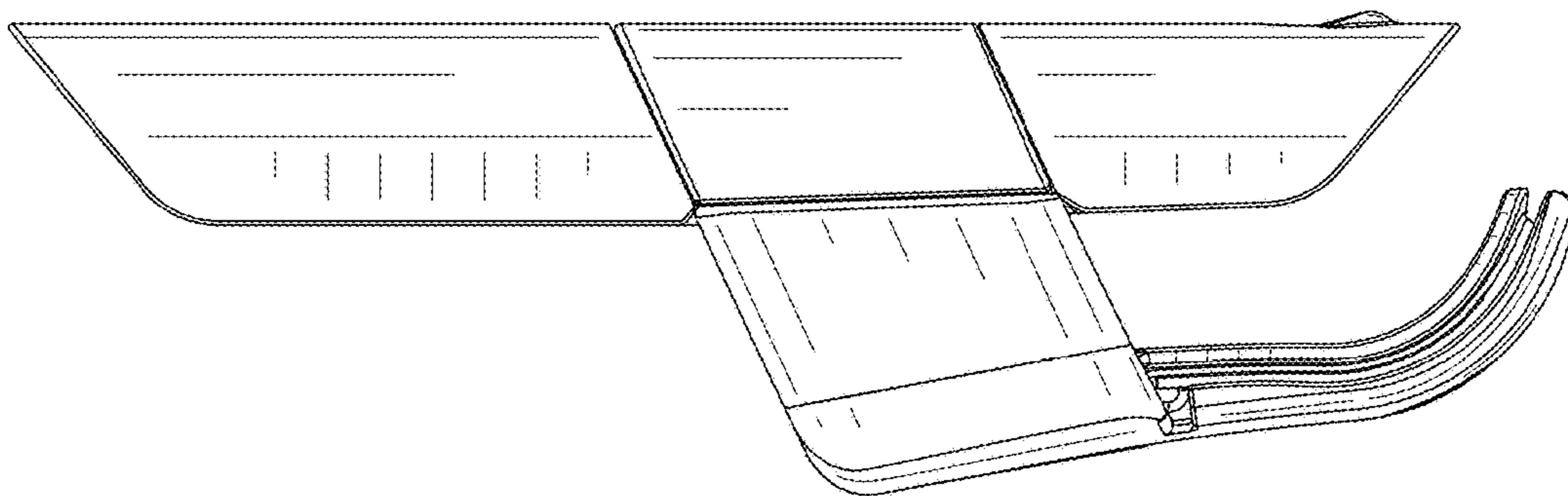


FIG. 5

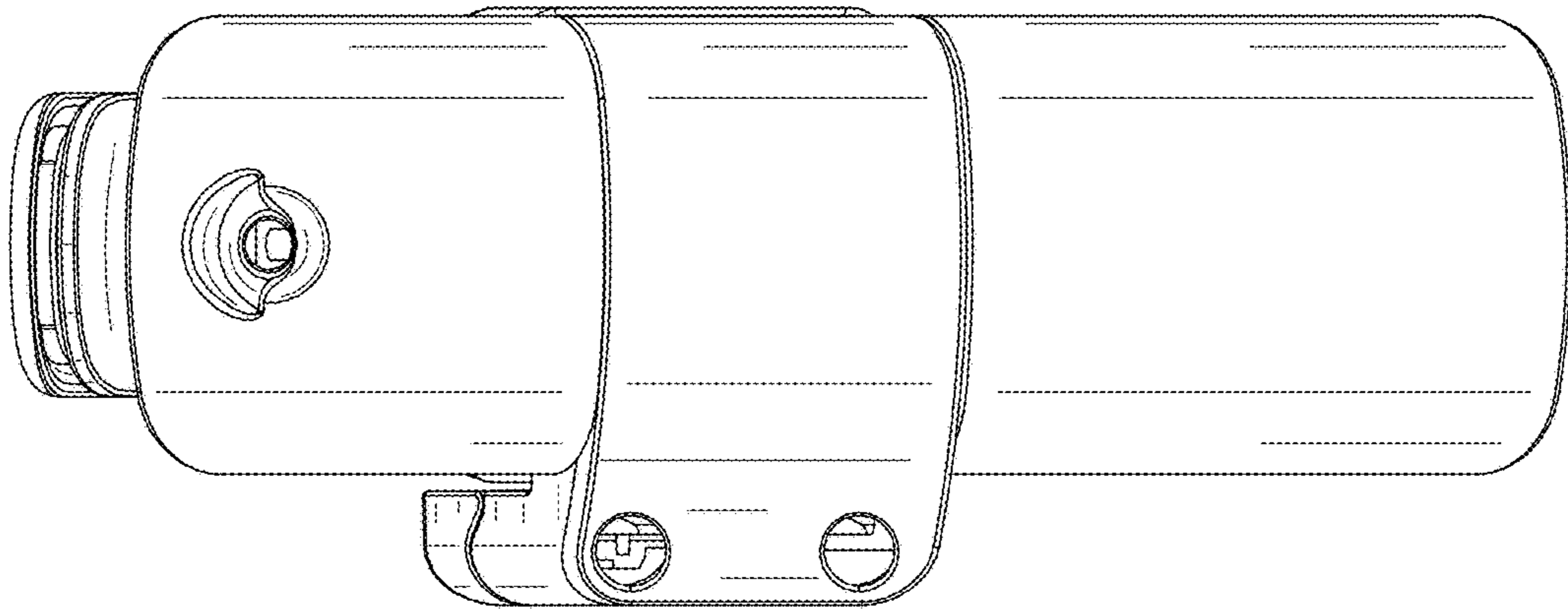


FIG. 6

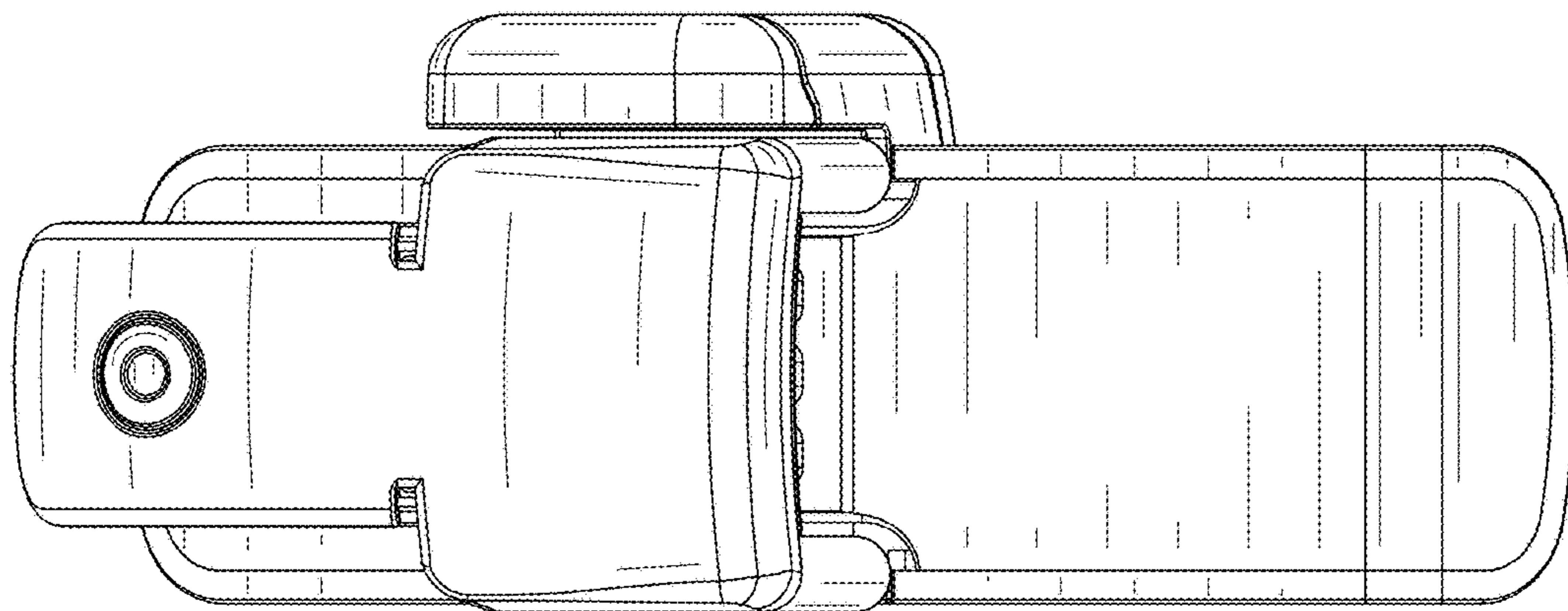


FIG. 7