



US00D772974S

(12) **United States Design Patent** (10) **Patent No.:** **US D772,974 S**
Takei (45) **Date of Patent:** **** Nov. 29, 2016**

(54) **ELECTRONIC KEYBOARD**
 (71) Applicant: **YAMAHA CORPORATION**,
 Hamamatsu-shi (JP)
 (72) Inventor: **Kunihiro Takei**, Hamamatsu (JP)
 (73) Assignee: **YAMAHA CORPORATION**, Shizuoka
 (JP)

D566,162 S * 4/2008 Onishi D17/1
 D568,373 S * 5/2008 Suzuki D17/1
 D616,866 S * 6/2010 Ito D14/217
 D667,867 S * 9/2012 Kitazawa D17/1
 D668,287 S * 10/2012 Kitazawa D17/1
 D668,710 S * 10/2012 Okamura D17/1
 D696,714 S * 12/2013 Kashiwase D17/1
 D696,715 S * 12/2013 Sato D17/1
 D718,374 S * 11/2014 Gonzalez D17/1
 D719,211 S * 12/2014 Sawada D17/1
 D719,609 S * 12/2014 Takei D17/1

(**) Term: **15 Years**

(21) Appl. No.: **29/541,936**

(22) Filed: **Oct. 9, 2015**

(30) **Foreign Application Priority Data**

Apr. 10, 2015 (JP) 2015-008146

(51) **LOC (10) Cl.** **17-01**

(52) **U.S. Cl.**
 USPC **D17/1**

(58) **Field of Classification Search**
 USPC D17/1, 2, 7-9; D14/175, 188, 196-198,
 D14/217, 257, 258, 496; D21/405, 409;
 84/720, 743-745

CPC G10C 3/12; G10C 1/00; G10H 2220/221
 See application file for complete search history.

(56) **References Cited**

U.S. PATENT DOCUMENTS

D326,106 S * 5/1992 Tatshumi D17/1
 D372,931 S * 8/1996 Miura D17/1
 D507,291 S * 7/2005 Okamura D17/1
 D510,381 S * 10/2005 Okamura D17/1
 D518,085 S * 3/2006 Yatabe D17/1
 D518,503 S * 4/2006 Nagayama D17/1
 D554,690 S * 11/2007 Utsunomiya D17/1
 D557,327 S * 12/2007 Onishi D17/1
 D558,255 S * 12/2007 Reichhuber D17/1

OTHER PUBLICATIONS

Yamaha Motif Keyboard Buying Guide, posted at piano-keyboard-guide.com, earliest date available Jan. 6, 2014, [online], acquired on Jul. 1, 2016. Available from Internet, <URL: <http://www.piano-keyboard-guide.com/yamaha-motif-keyboard.html>>.*

(Continued)

Primary Examiner — Manpreet Matharu

Assistant Examiner — Aulia Soroush

(74) *Attorney, Agent, or Firm* — Sughrue Mion, PLLC

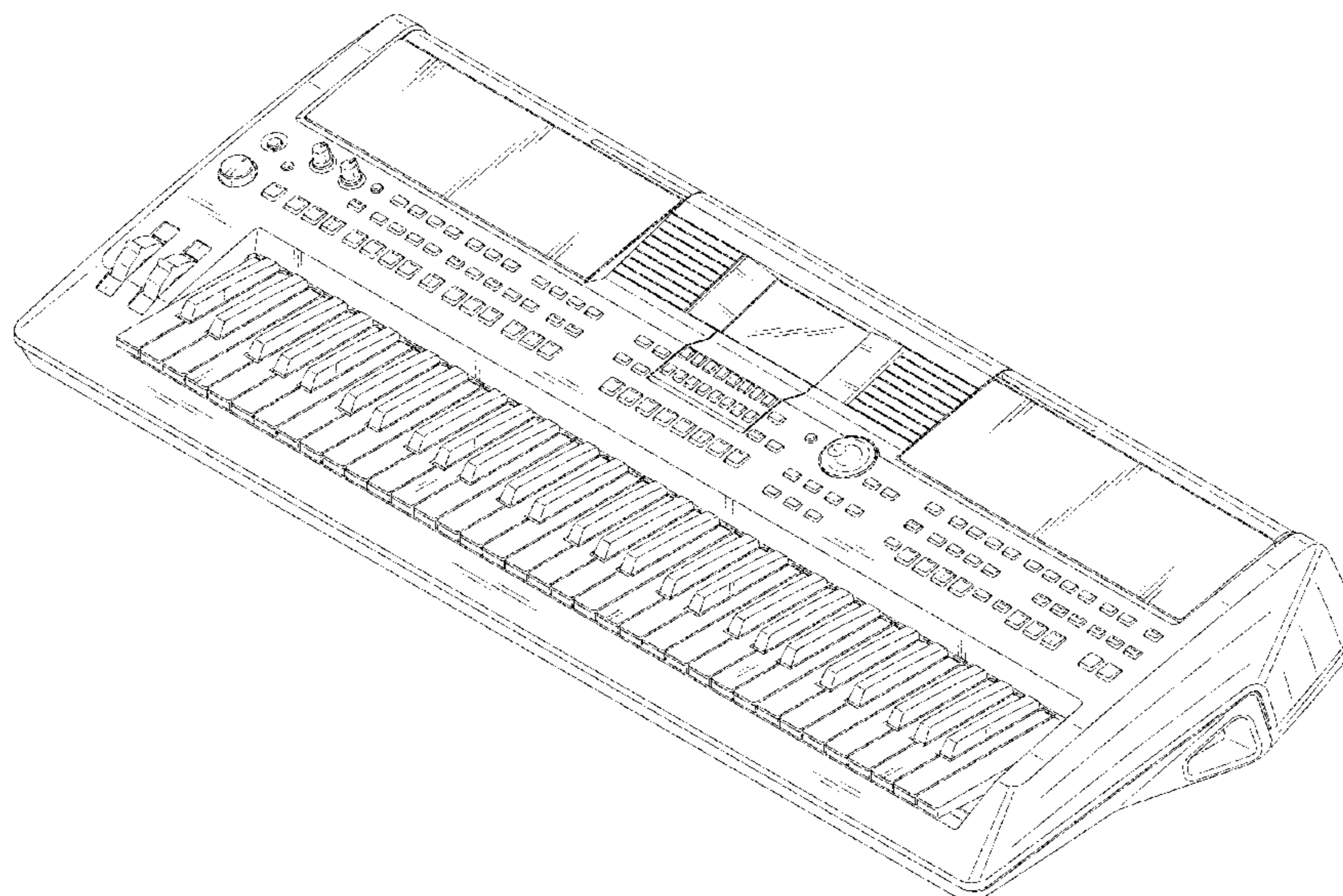
(57) **CLAIM**

The ornamental design for an electronic keyboard, as shown and described.

DESCRIPTION

FIG. 1 is a front, top, right side perspective view of an electronic keyboard showing my new design;
 FIG. 2 is a front view thereof;
 FIG. 3 is a rear view thereof;
 FIG. 4 is a left side view thereof;
 FIG. 5 is a right side view thereof;
 FIG. 6 is a top plan view thereof; and,
 FIG. 7 is a bottom plan view thereof.
 The broken lines in the drawings illustrate portions of the electronic keyboard that form no part of the claimed design.

1 Claim, 7 Drawing Sheets



(56)

References Cited

OTHER PUBLICATIONS

Kurzweil PC3LE6 61-Key Synthesizer Keyboard Workstation , posted at zzounds.com, earliest date available Oct. 14, 2010, [online], acquired on Jul. 1, 2016. Available from Internet, <URL: <http://www.zzounds.com/productreview--KRZPC3LE6>>.*

Which Roland Digital Piano Should I Buy?, posted at digitalpianoreviewguide.com, earliest date available Sep. 6, 2012,

[online], acquired on Jul. 1, 2016. Available from Internet, <URL: <http://www.digitalpianoreviewguide.com/which-roland-digital-piano-should-i-buy/>>.*

CTK-810IN, posted at casio-intl.com, earliest date available Jun. 19, 2013, [online], acquired on Jul. 1, 2016. Available from Internet, <URL: <http://www.casio-intl.com/in/en/emi/indiankeyboard/ctk810in>>.*

* cited by examiner

Fig. 1

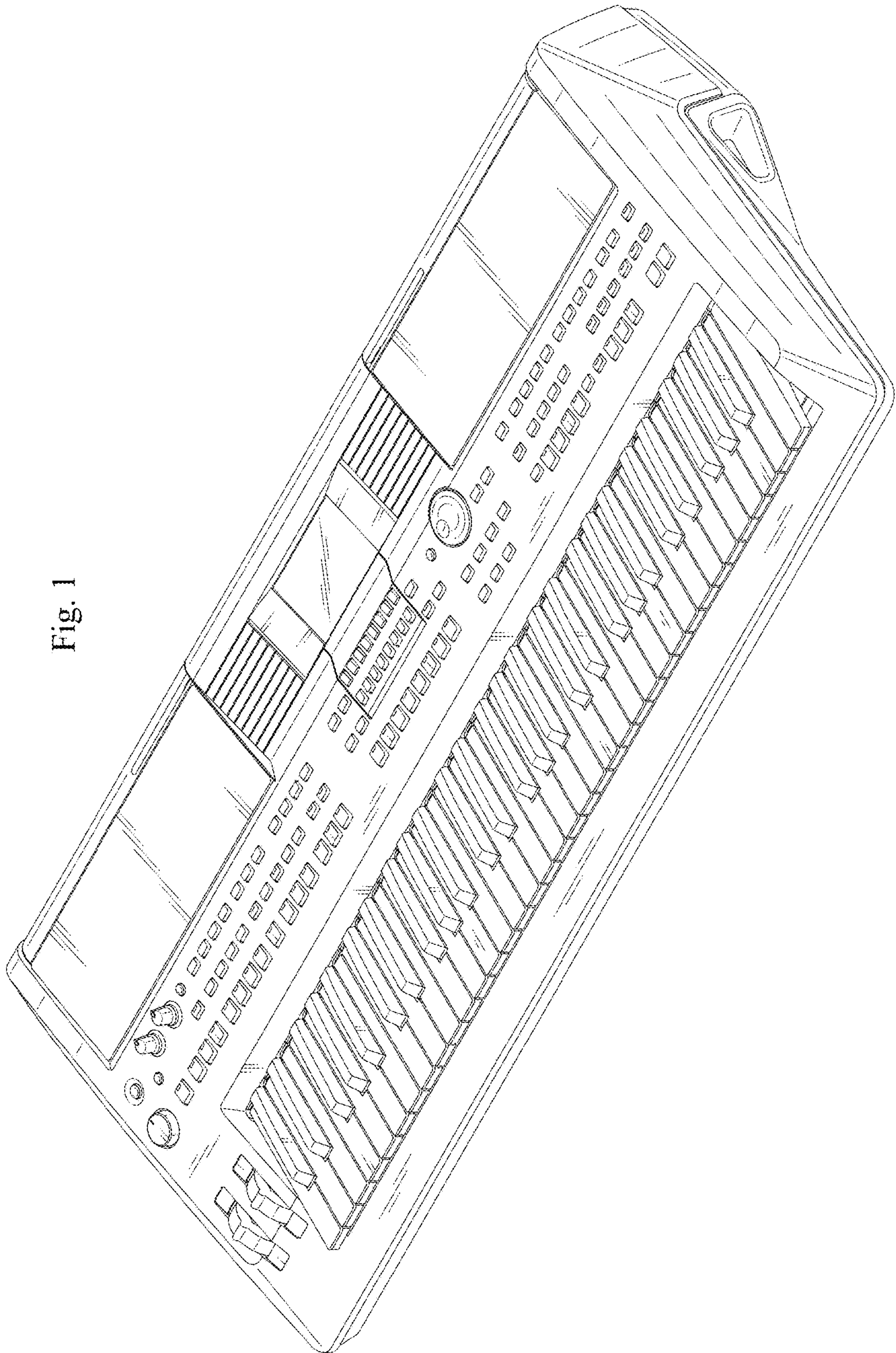


Fig. 2

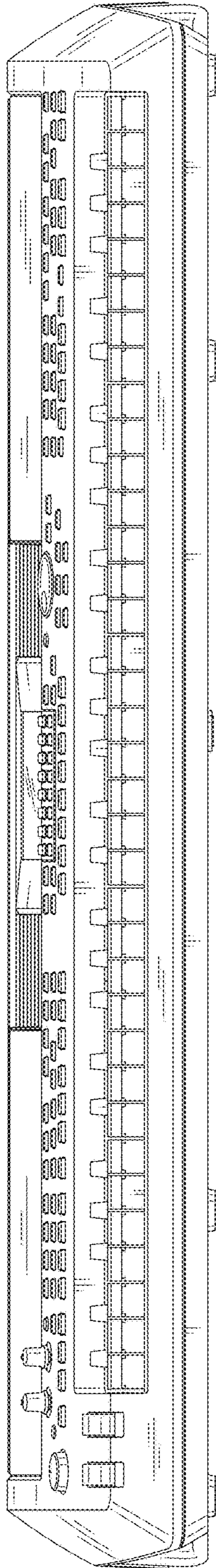


Fig. 3

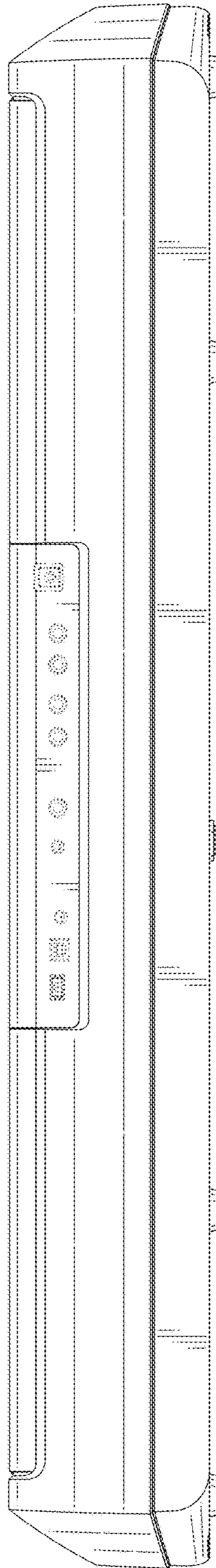


Fig. 4

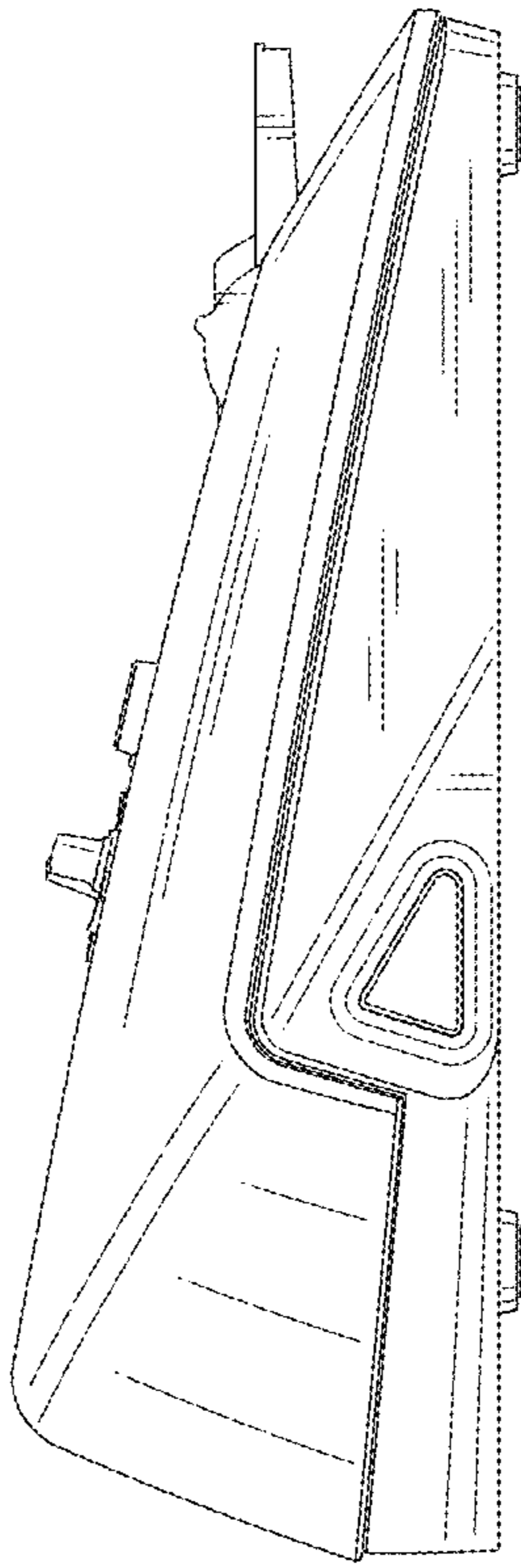


Fig. 5

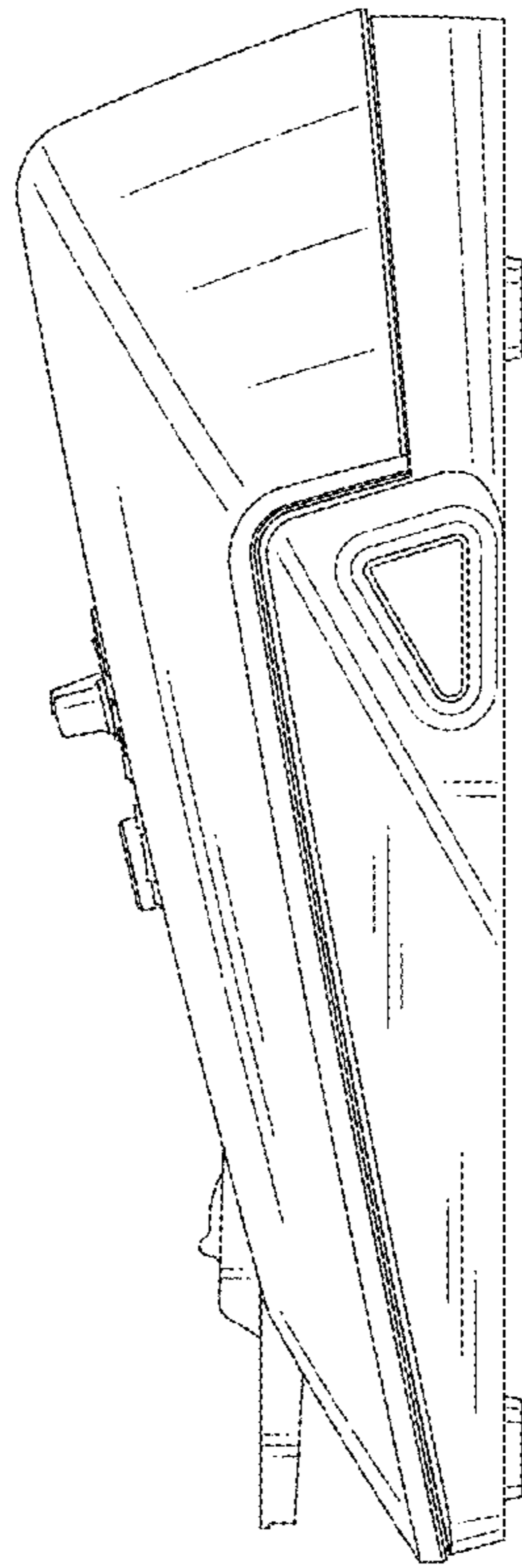


Fig. 6

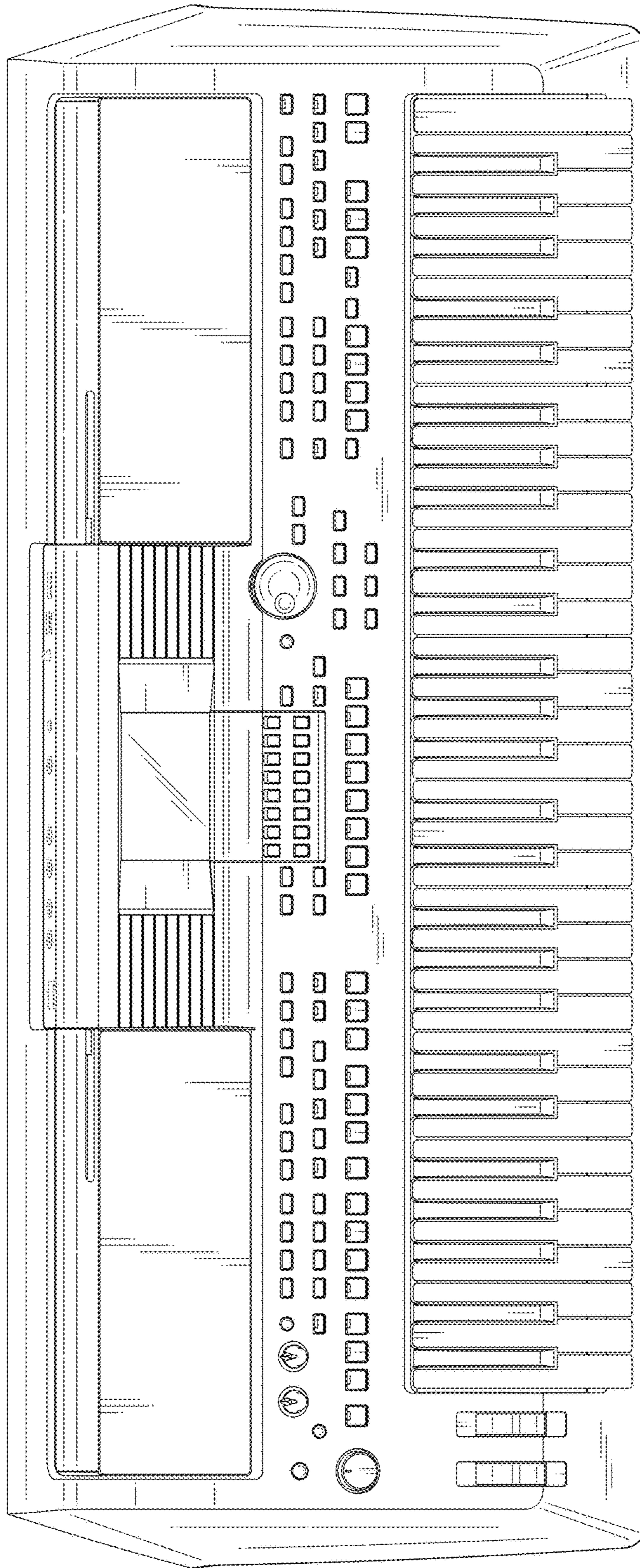


Fig. 7

