



US00D772971S

(12) **United States Design Patent**
Hojo et al.

(10) **Patent No.:** **US D772,971 S**

(45) **Date of Patent:** **** Nov. 29, 2016**

(54) **STAND FOR ELECTRONIC DEVICE**

(71) Applicant: **OMRON Corporation**, Kyoto (JP)

(72) Inventors: **Masahiro Hojo**, Osaka (JP);
Kazuyoshi Kamekawa, Kyoto (JP)

(73) Assignee: **OMRON Corporation**, Kyoto (JP)

(**) Term: **15 Years**

(21) Appl. No.: **29/538,645**

(22) Filed: **Sep. 4, 2015**

(30) **Foreign Application Priority Data**

Mar. 13, 2015 (JP) 2015-005516

(51) **LOC (10) Cl.** **16-05**

(52) **U.S. Cl.**
USPC **D16/242**

(58) **Field of Classification Search**

USPC D14/253, 251, 252, 447, 451, 452, 440,
D14/434, 458, 432, 439, 457, 460, 238.1,
D14/140, 142, 149, 217, 148, 140.8, 140.11,
D14/209.1, 151, 140.9; D13/107, 108;
D12/415, 223, 114; D3/218;
D16/242-245, 250, 237, 203, 214,
D16/219; D6/675, 672, 673, 675.4, 553,
D6/676, 310

CPC B60R 2011/0008; B60R 11/02; B60R
11/0241; B60R 11/0258; B60R 11/0252;
B60R 2011/0294; F16M 11/00; F16M 11/04;
F16M 11/041; F16M 11/02; F16M 11/06;
H04M 1/02; A47F 7/022; B62J 11/00

See application file for complete search history.

(56) **References Cited**

U.S. PATENT DOCUMENTS

7,736,071 B2 *	6/2010	Wahl	G03B 17/561 348/373
D693,868 S *	11/2013	Ying	D16/203
D697,119 S *	1/2014	Park	D16/202
D721,754 S *	1/2015	Chen	D16/202
D741,932 S *	10/2015	Huang	D16/202
D755,880 S *	5/2016	Luo	D16/214

* cited by examiner

Primary Examiner — Susan Bennett Hattan

Assistant Examiner — Janice Hallmark

(74) *Attorney, Agent, or Firm* — Sterne, Kessler,
Goldstein & Fox P.L.L.C.

(57) **CLAIM**

The ornamental design for a stand for electronic device, as shown and described.

DESCRIPTION

FIG. 1 is a front perspective view of a stand for electronic device;

FIG. 2 is a rear perspective view thereof;

FIG. 3 is a front elevational view thereof;

FIG. 4 is a rear elevational view thereof;

FIG. 5 is a left side view thereof;

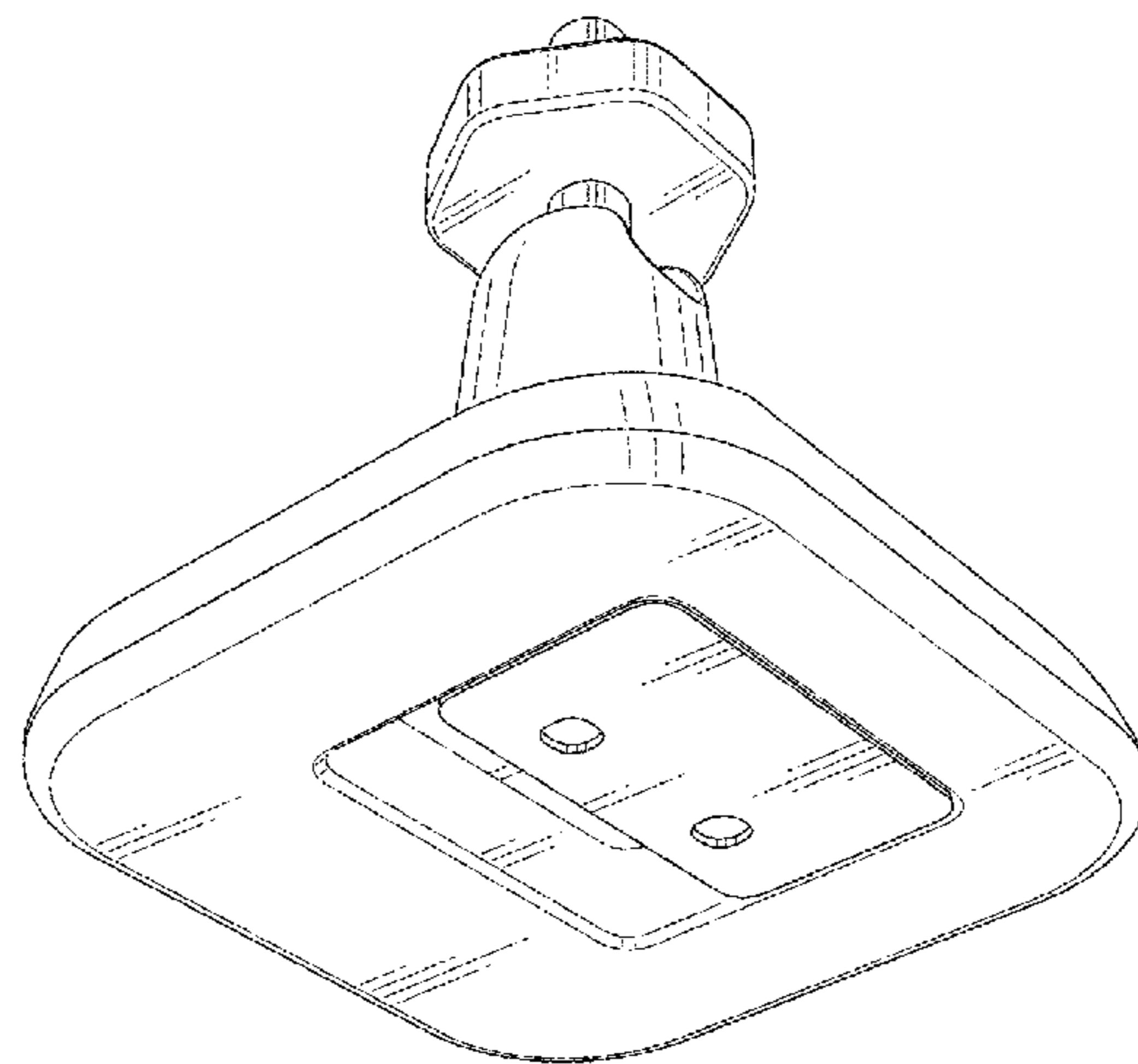
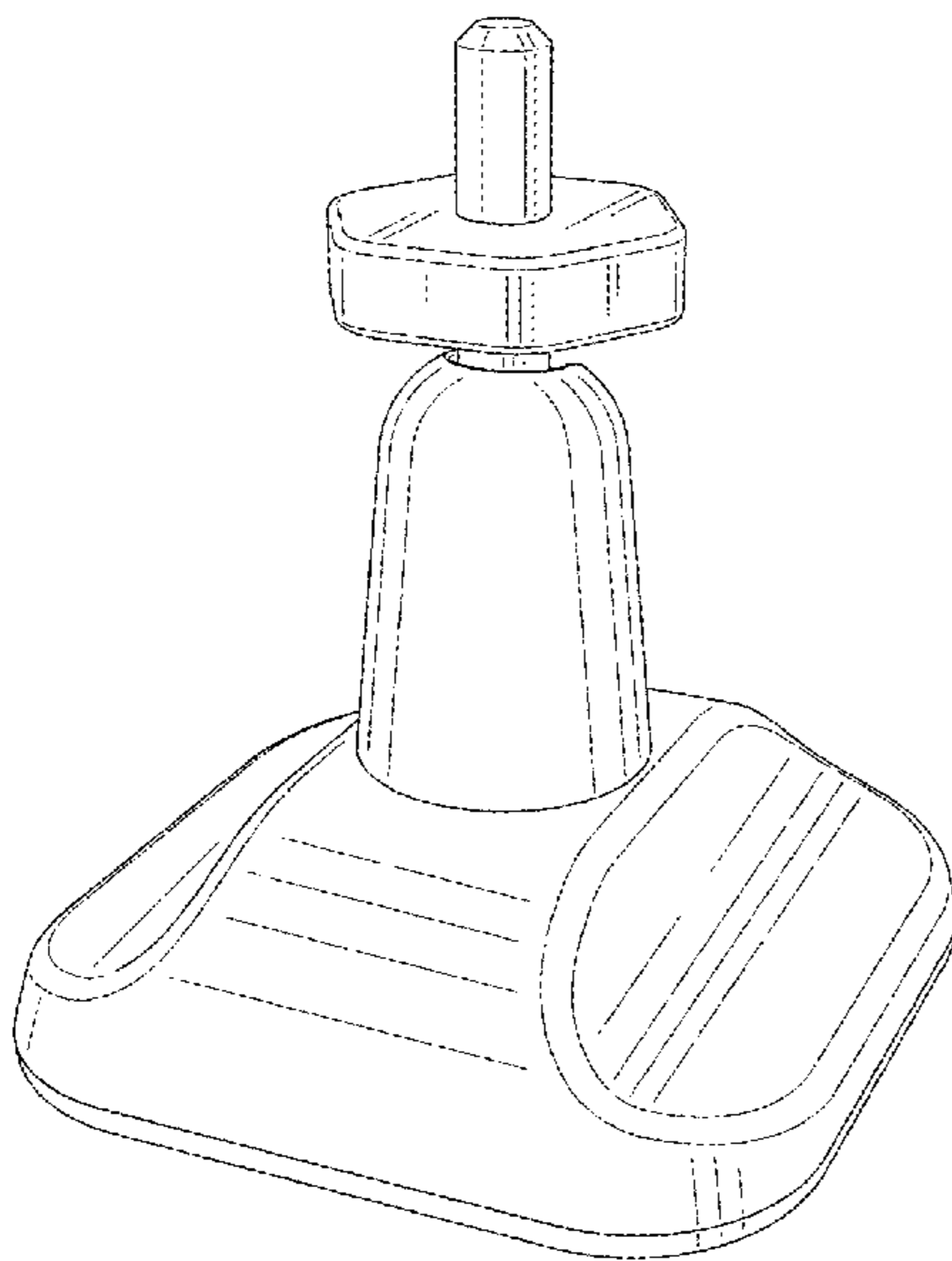
FIG. 6 is a right side view thereof;

FIG. 7 is a top plan view thereof; and,

FIG. 8 is a bottom plan view thereof.

The shade lines in the figures show contour and not surface ornamentation.

1 Claim, 4 Drawing Sheets



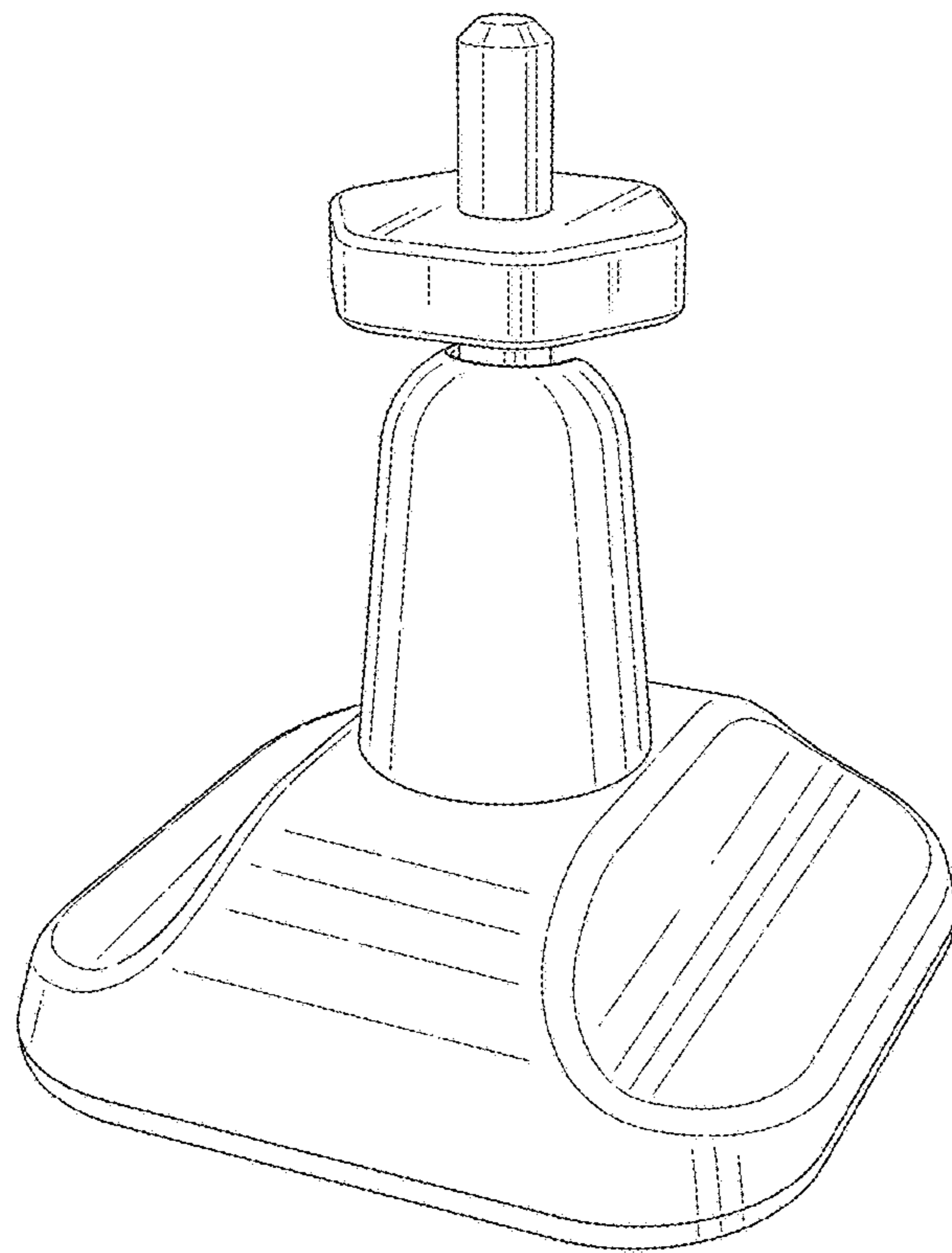


Fig. 1

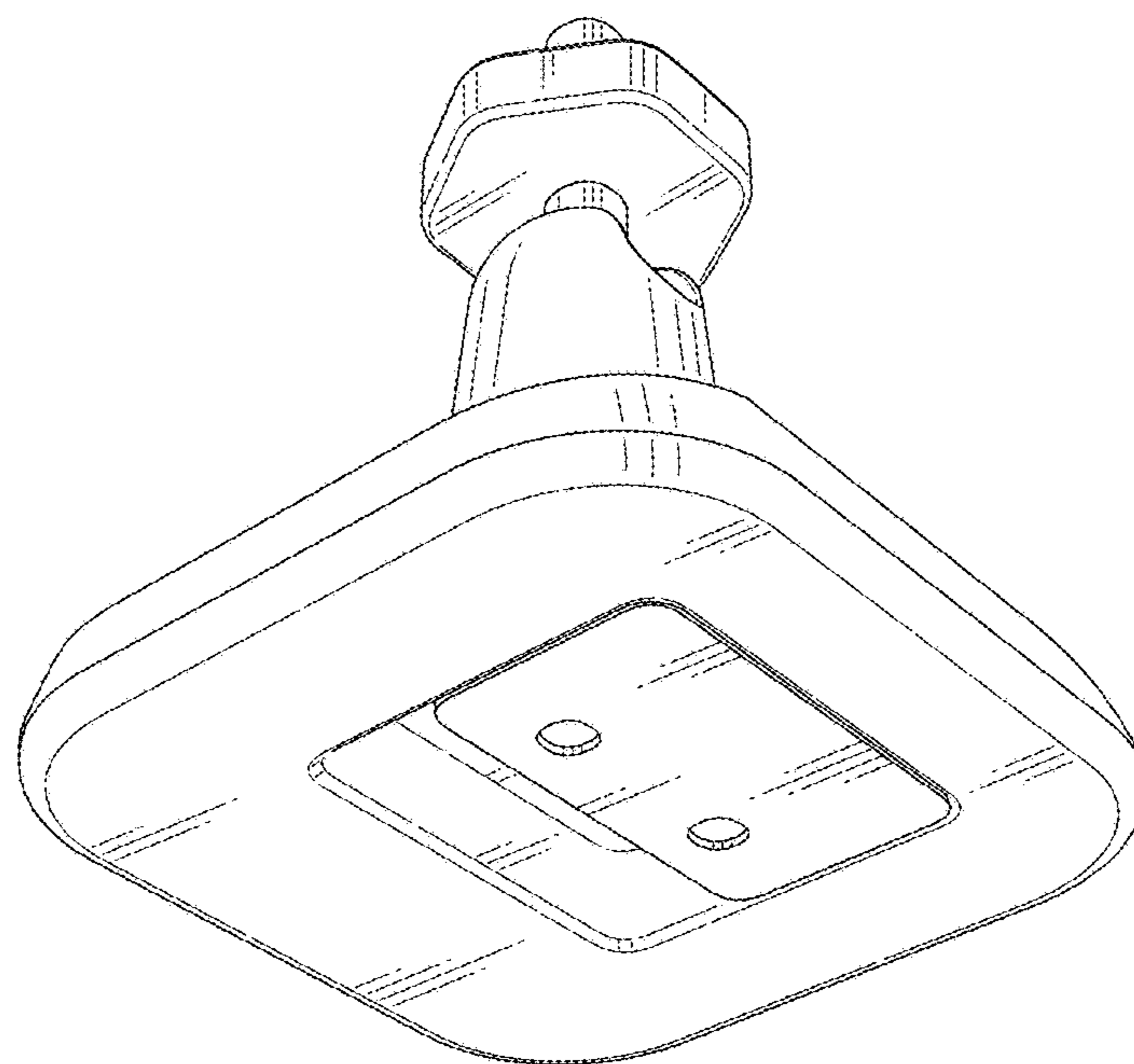


Fig. 2

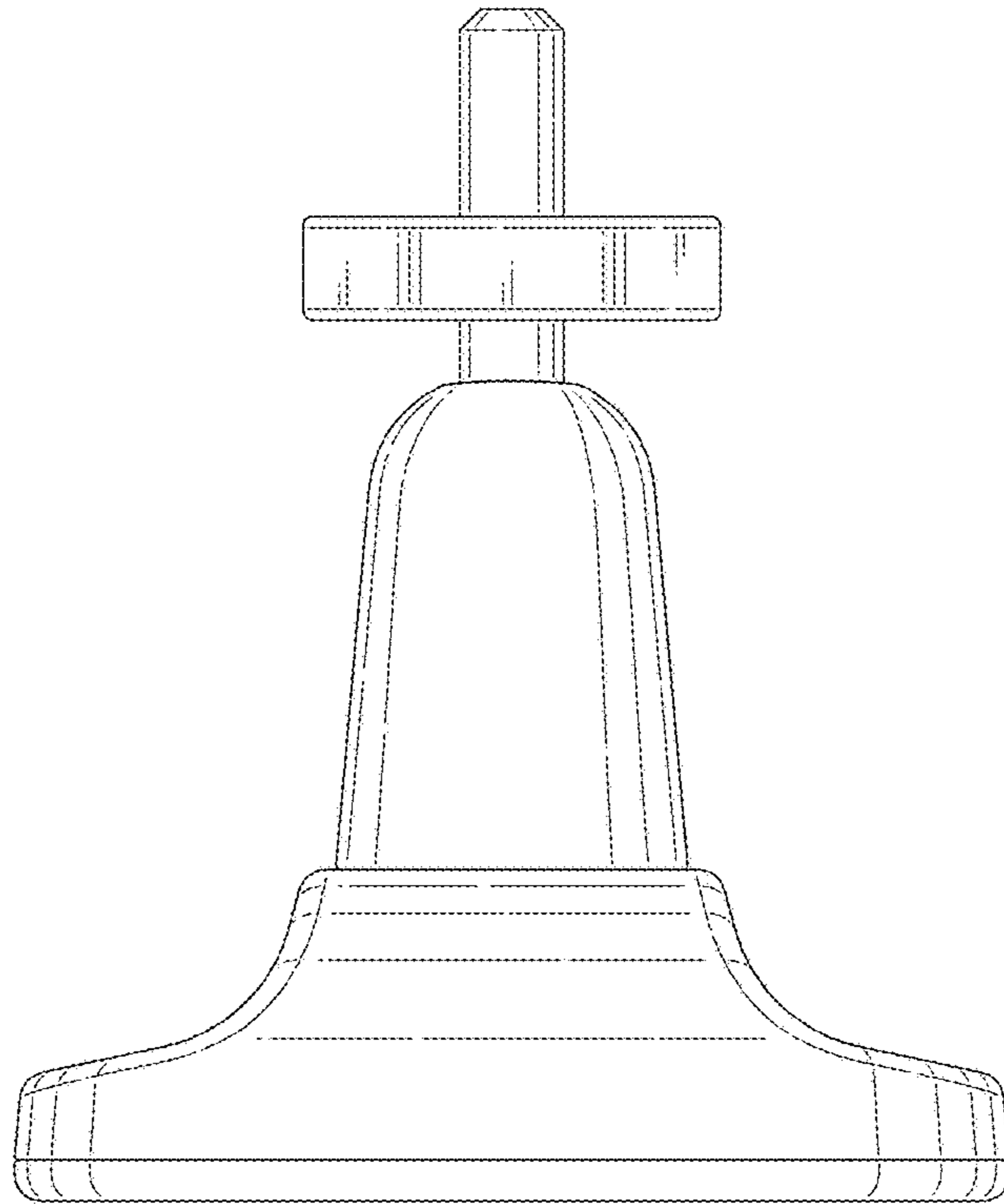


Fig. 3

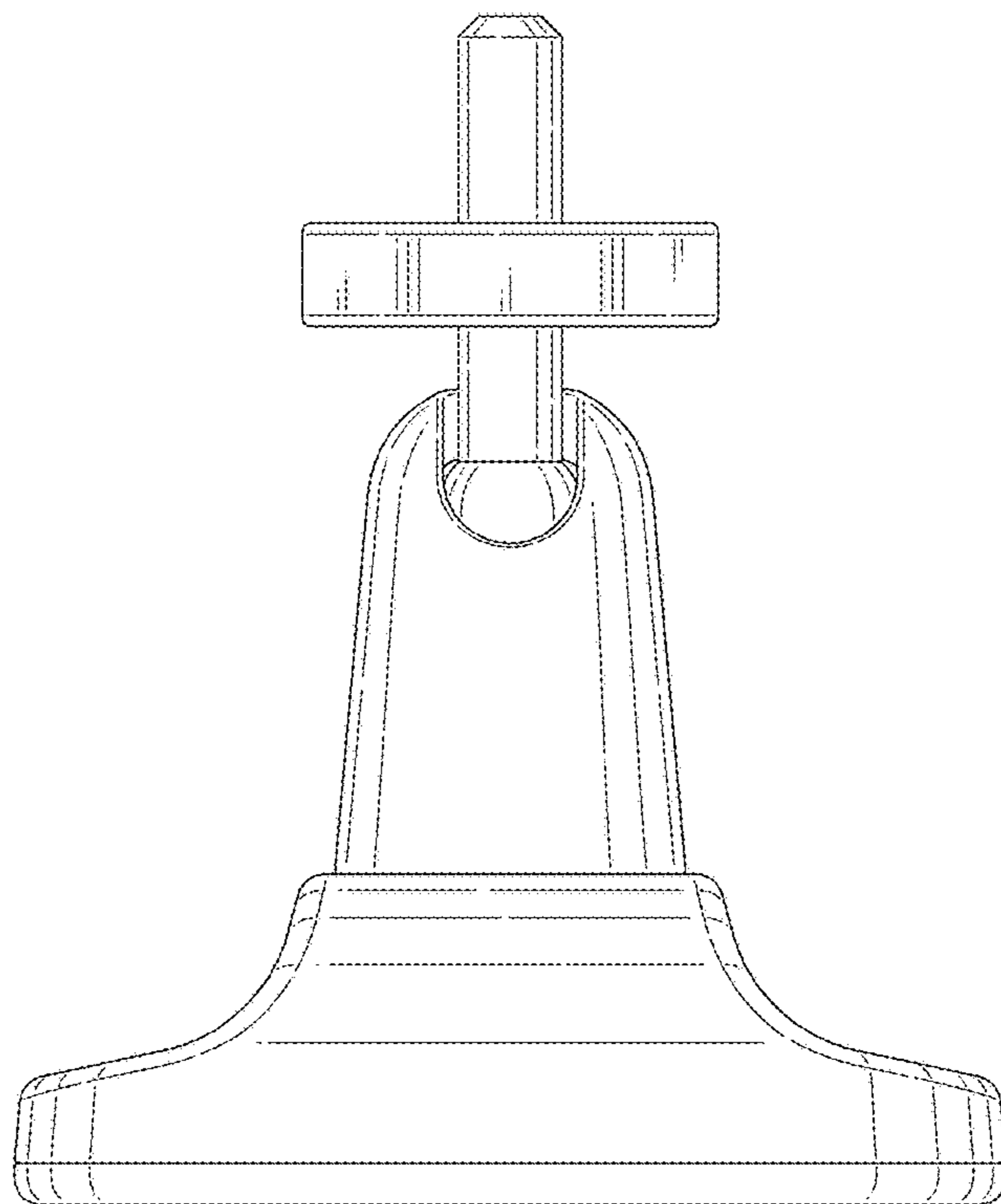


Fig. 4

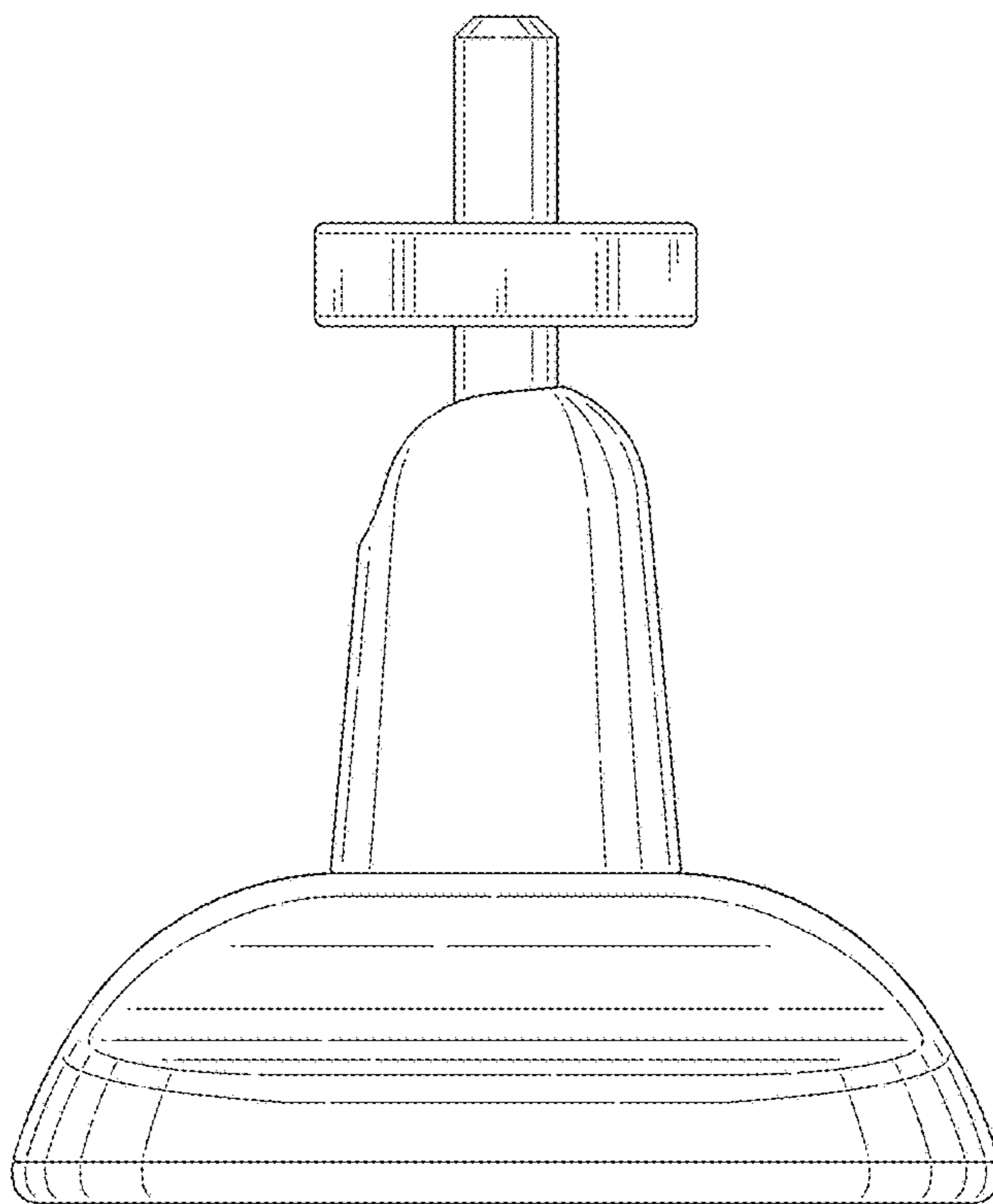


Fig. 5

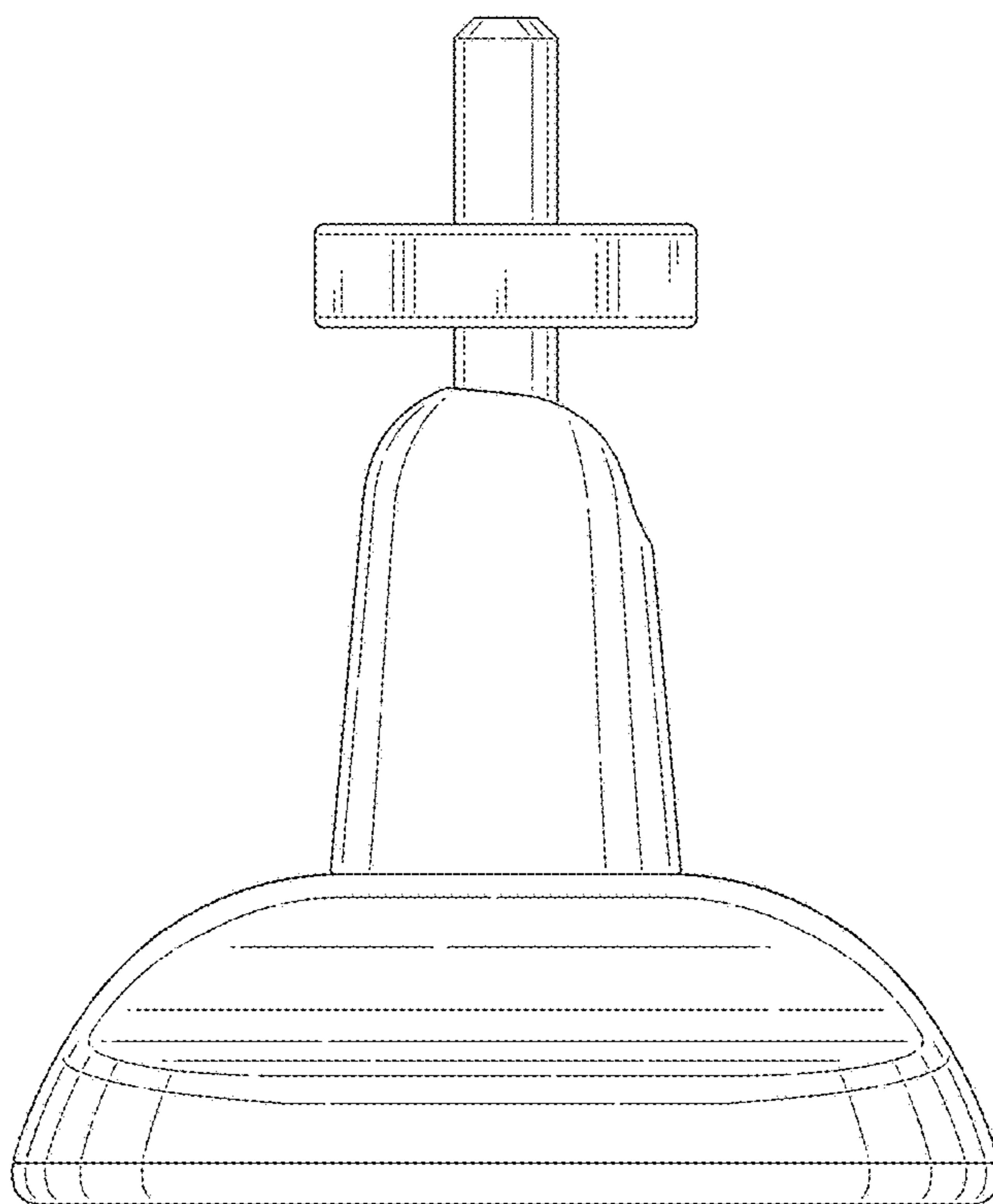


Fig. 6

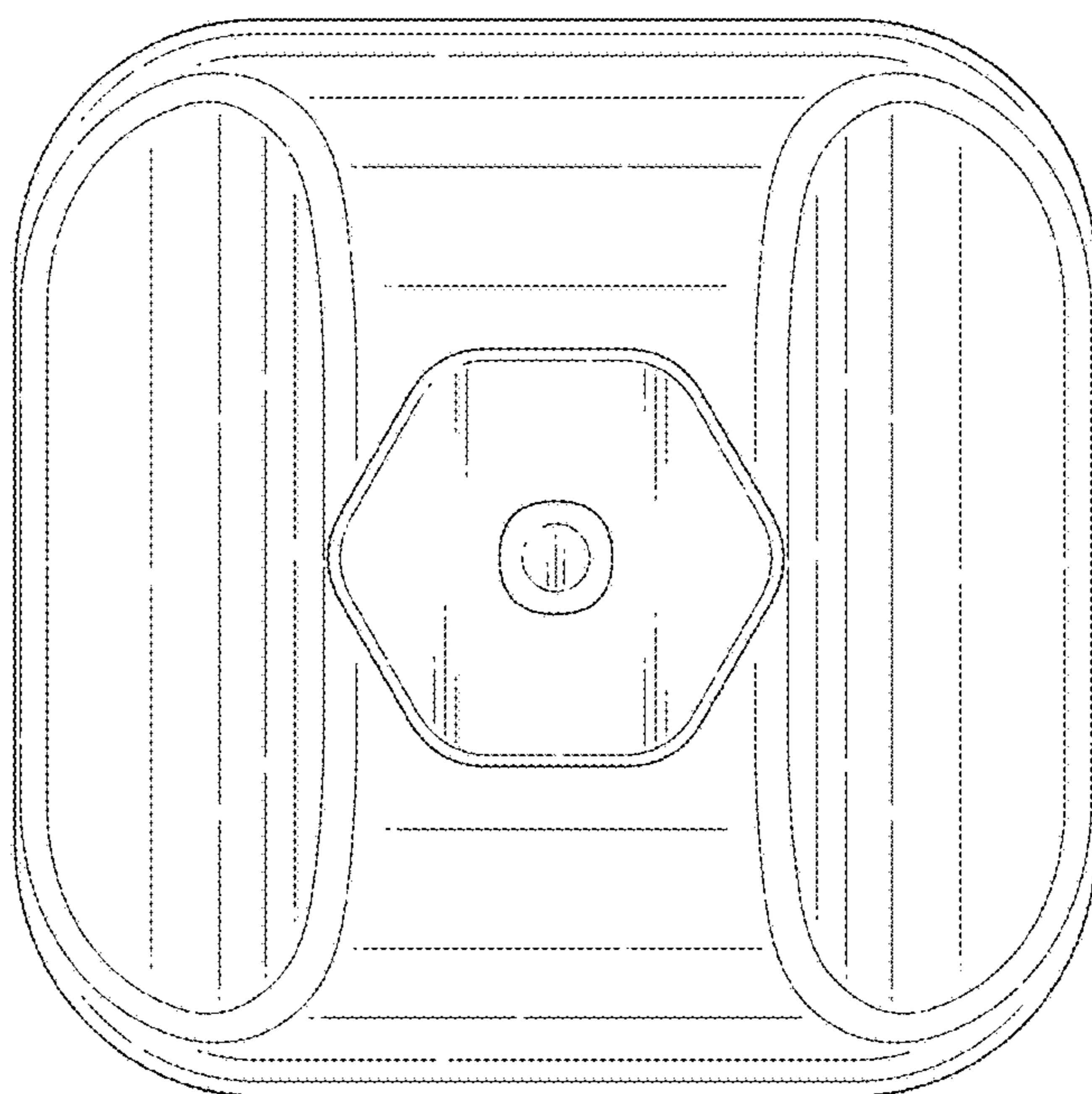


Fig. 7

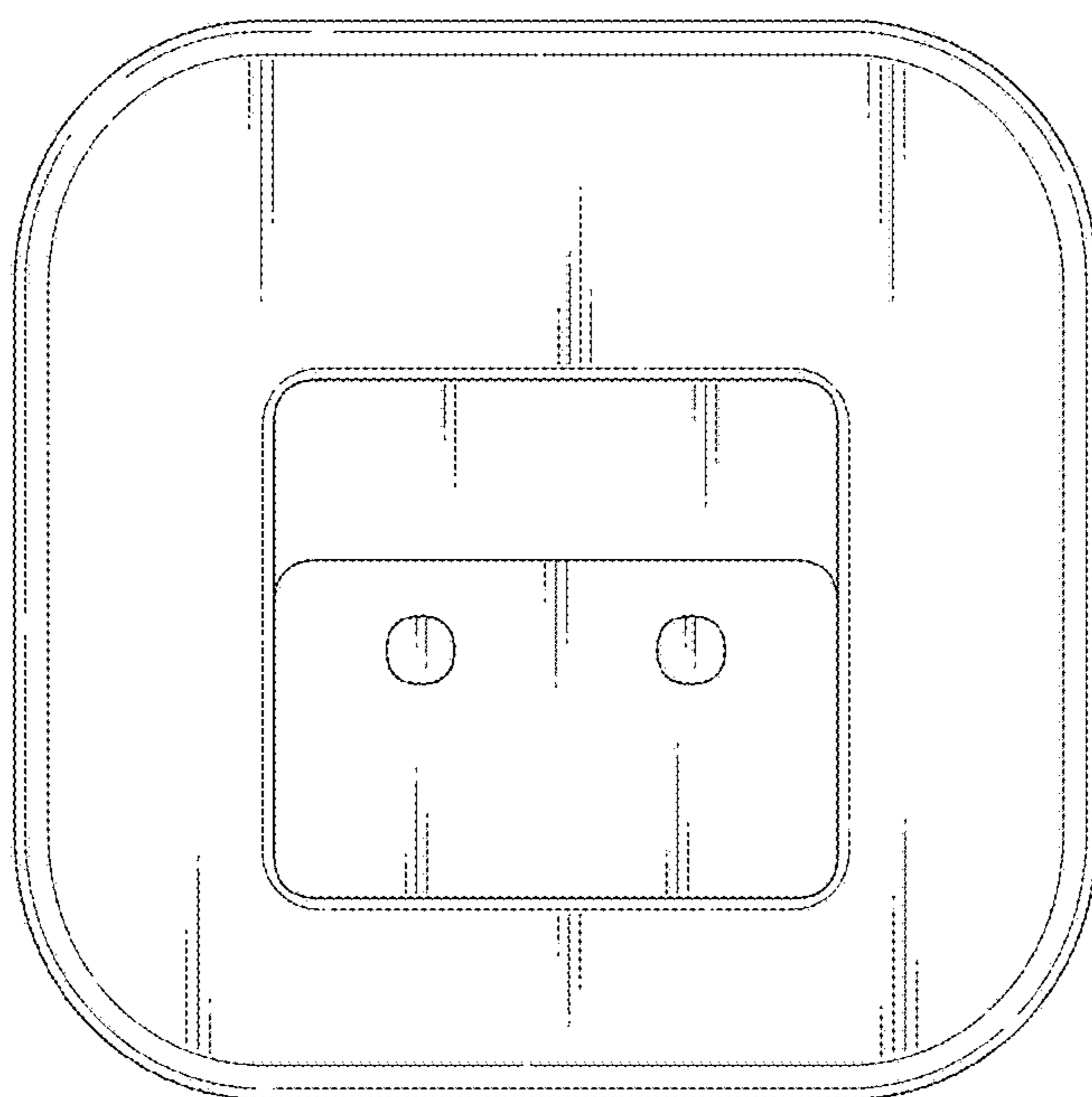


Fig. 8