



US00D772970S

(12) **United States Design Patent** (10) **Patent No.:** **US D772,970 S**
Balmer (45) **Date of Patent:** **** Nov. 29, 2016**

(54) **MOUNTING CLIP FOR A BICYCLE**

(71) Applicant: **DayMen US, Inc.**, Petaluma, CA (US)

(72) Inventor: **Noah Balmer**, Berkeley, CA (US)

(73) Assignee: **Daymen US, Inc.**, Petaluma, CA (US)

(**) Term: **15 Years**

(21) Appl. No.: **29/530,308**

(22) Filed: **Jun. 16, 2015**

(51) **LOC (10) Cl.** **16-05**

(52) **U.S. Cl.**
USPC **D16/242; D12/114**

(58) **Field of Classification Search**
USPC D16/237, 242–245, 202, 203, 241, 207;
D8/354, 355, 363; 396/419, 420, 428;
D12/114, 223

CPC F16M 11/14; F16M 11/041; F16M 11/04;
F16M 11/2078; F16M 11/28; F16M 11/2021;
F16M 11/12; F16M 11/10; F16M 2200/022;
F16M 2200/027; F16M 13/00; F16M 13/02;
F16M 13/022; G03B 17/561; G03B 17/566;
G03B 17/563; G03B 2215/056; B60R
2011/0059; B60R 2011/008; B60R 11/02

See application file for complete search history.

(56) **References Cited**

U.S. PATENT DOCUMENTS

D391,217 S *	2/1998	Pingel	D12/114
D391,218 S *	2/1998	Pingel	D12/114
D443,562 S *	6/2001	Okada	D12/114
D481,335 S *	10/2003	Chen	D12/114
D647,434 S *	10/2011	Chambers	D12/114

D652,779 S *	1/2012	Richter	D12/223
D653,190 S *	1/2012	Richter	D12/223
D664,181 S *	7/2012	Braunstein	D16/242
D732,926 S *	6/2015	Booth	D8/354
D748,016 S *	1/2016	Wang	D12/114
D759,147 S *	6/2016	Harrison	D16/242
2012/0132685 A1 *	5/2012	Lee	F16M 13/022 224/553
2013/0134196 A1 *	5/2013	Lee	F16M 11/041 224/448
2015/0028075 A1 *	1/2015	Khatchatrian	B60R 11/02 224/483
2015/0076300 A1 *	3/2015	Eboli	F16B 2/065 248/214
2016/0096485 A1 *	4/2016	Fan	B60R 11/02 224/570

* cited by examiner

Primary Examiner — Susan Bennett Hattan

Assistant Examiner — Brett Miller

(74) *Attorney, Agent, or Firm* — Michael A. Guth

(57) **CLAIM**

The ornamental design for a mounting clip for a bicycle, as shown and described.

DESCRIPTION

FIG. 1 is a raised perspective view of a mounting clip for a bicycle.

FIG. 2 is a right side view of a mounting clip for a bicycle. The left side view is a mirror image.

FIG. 3 is a rear view of a mounting clip for a bicycle.

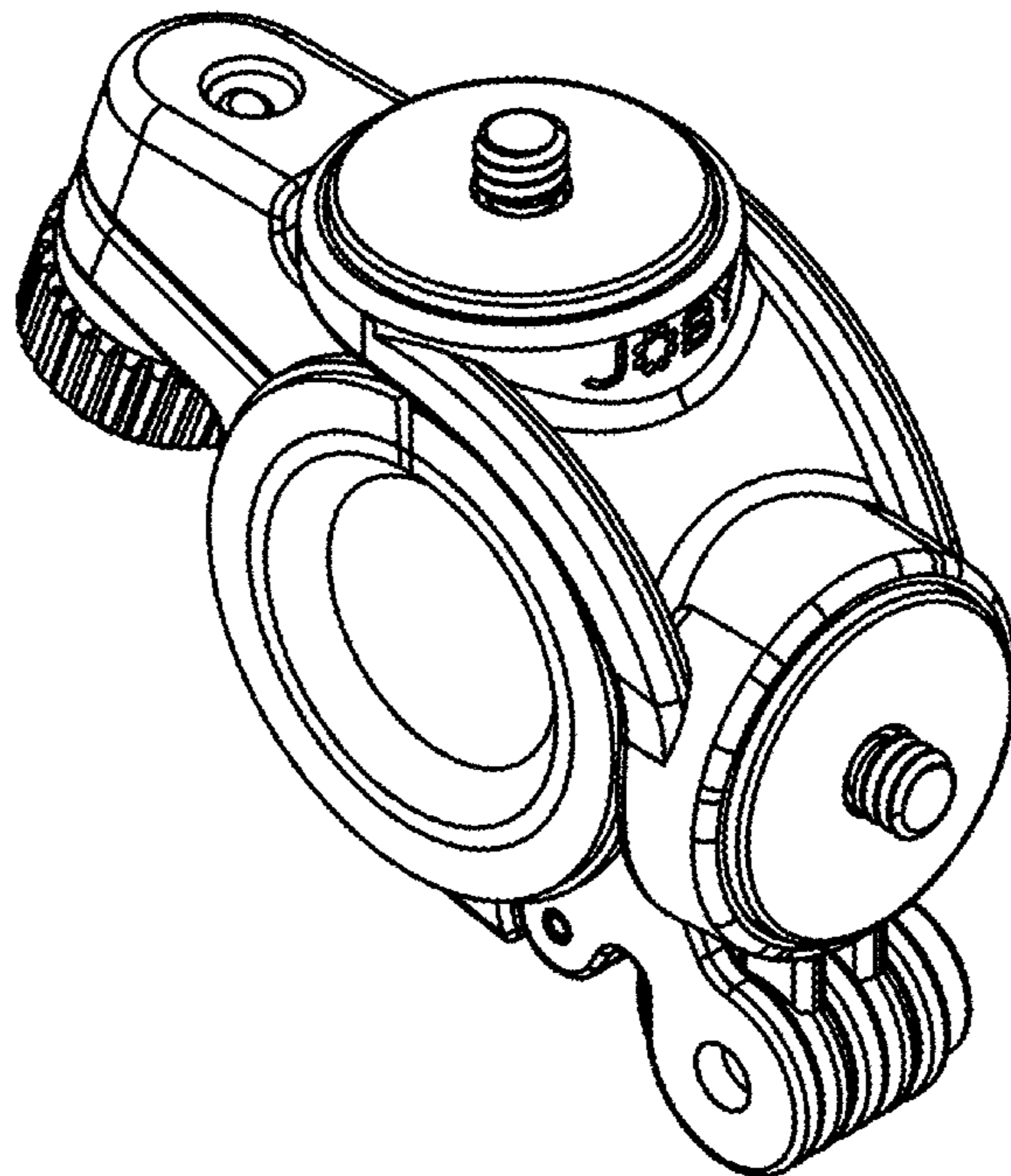
FIG. 4 is a front view of a mounting clip for a bicycle.

FIG. 5 is a top view of a mounting clip for a bicycle.

FIG. 6 is a bottom view of a mounting clip for a bicycle; and,

FIG. 7 is a perspective view of a mounting clip for a bicycle.

1 Claim, 7 Drawing Sheets



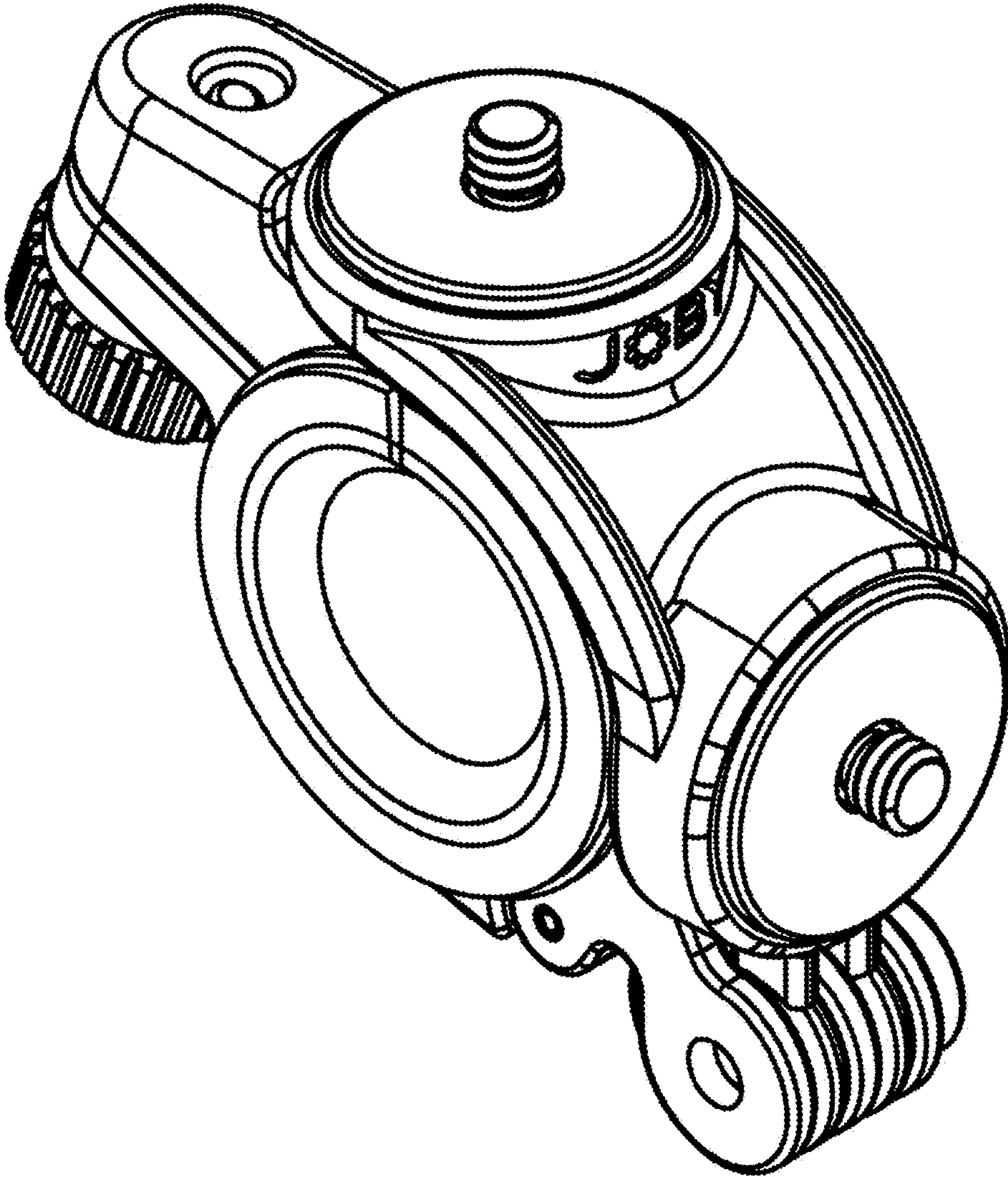


FIG. 1

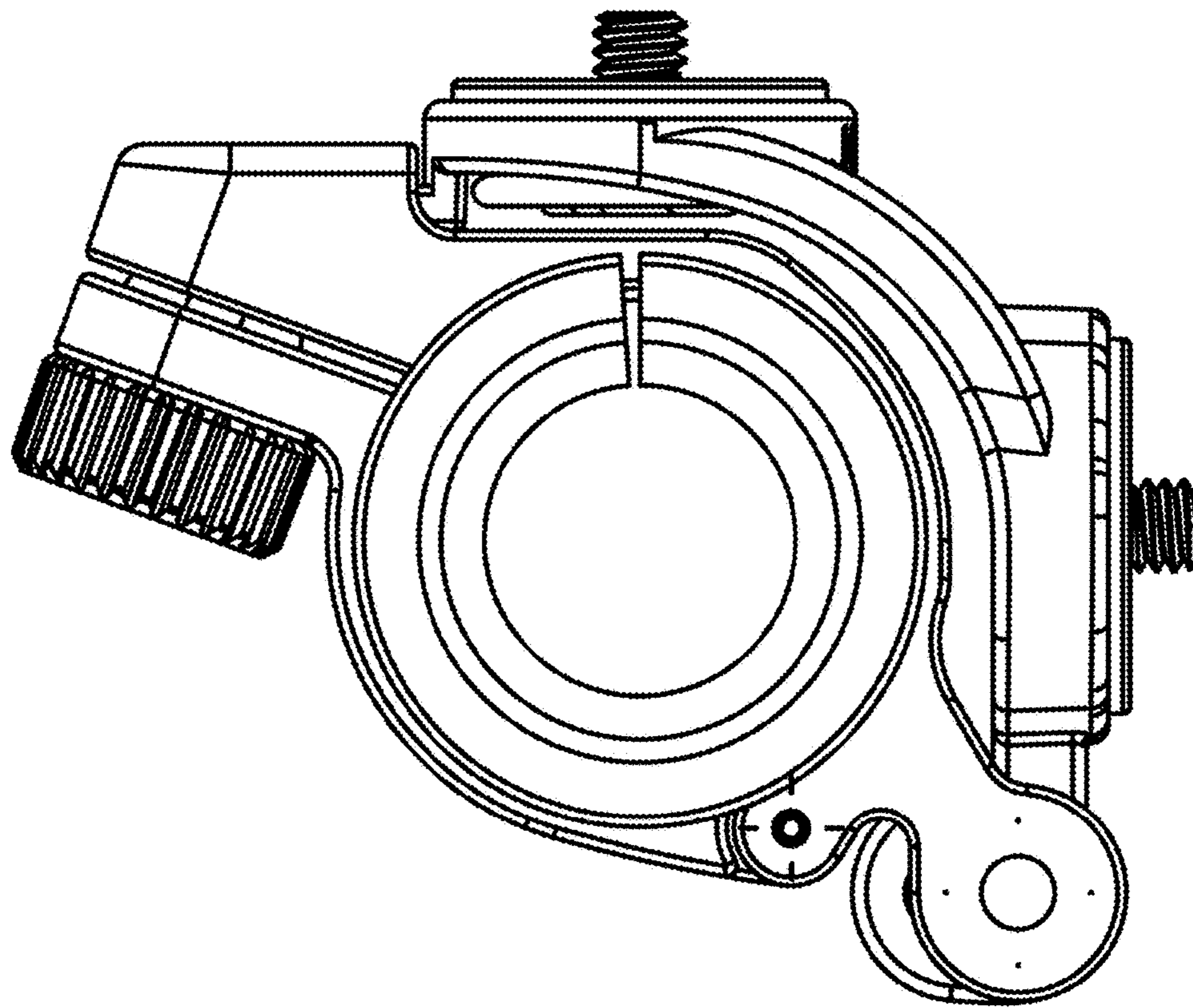


FIG. 2

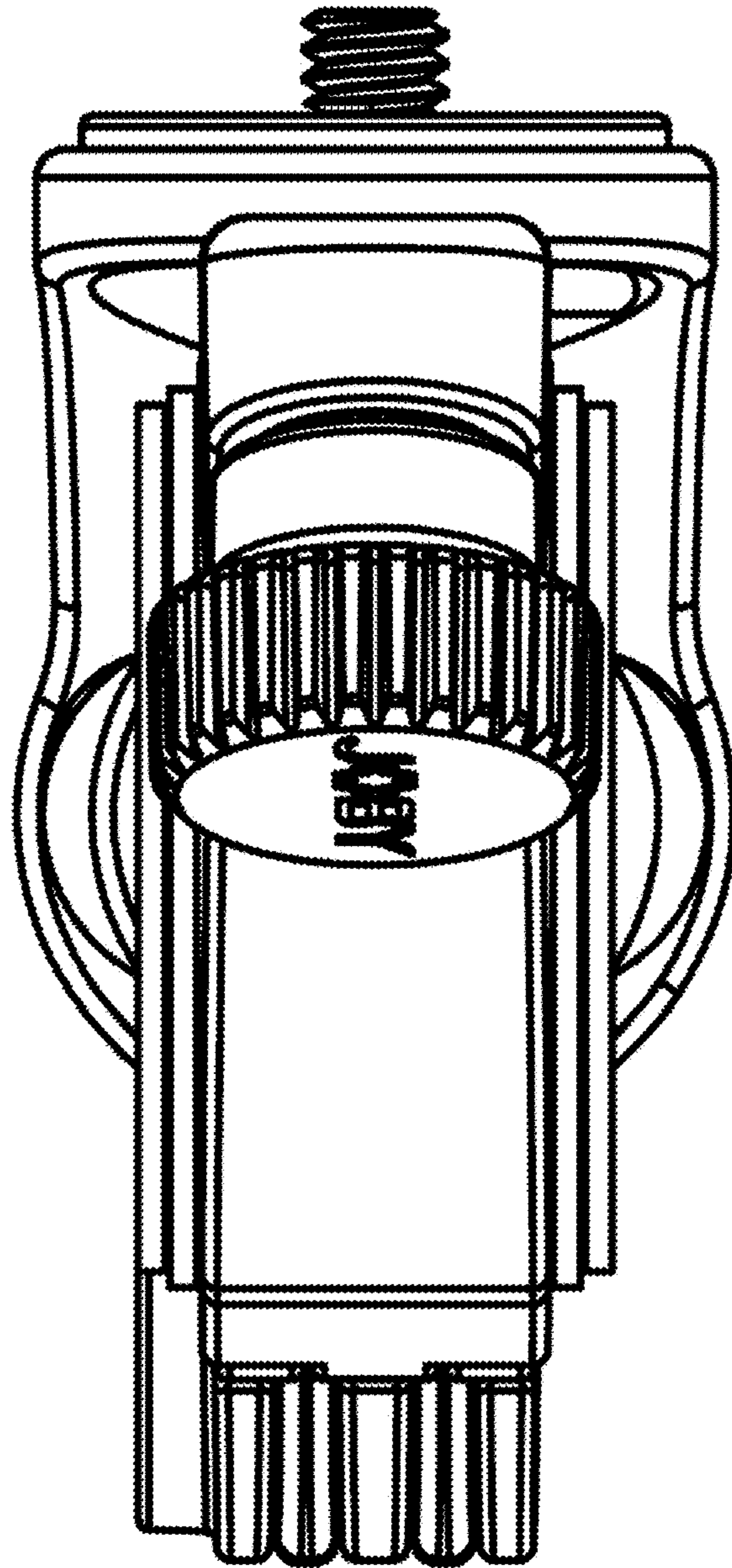


FIG. 3

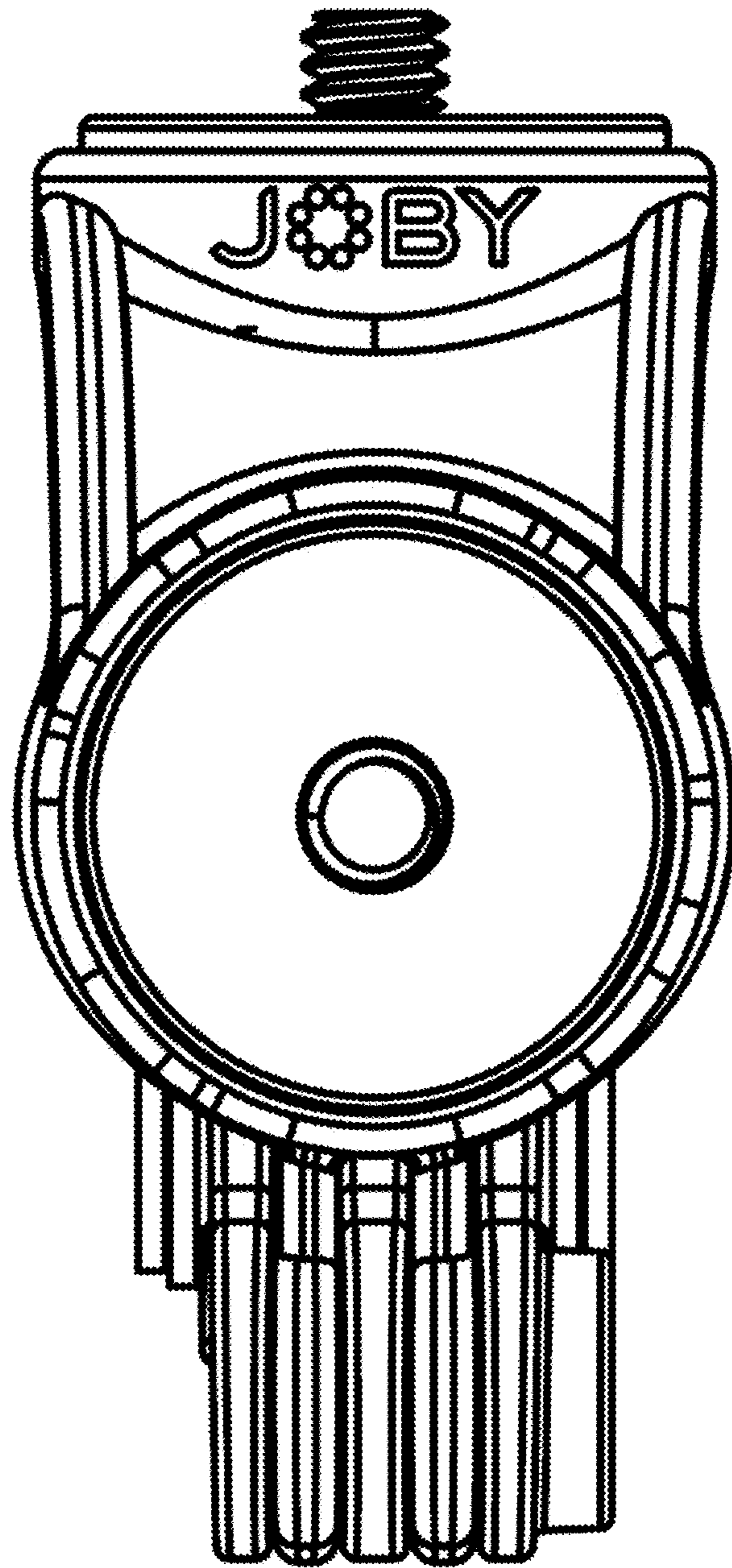


FIG. 4

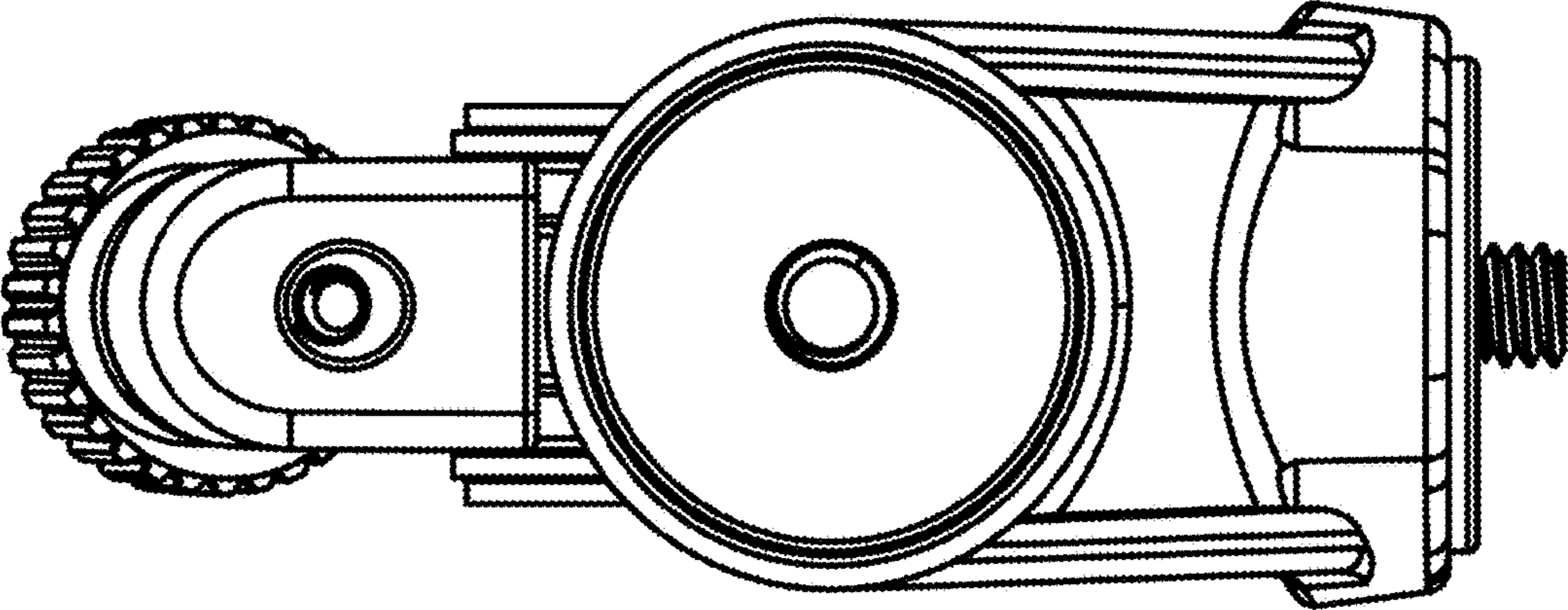


FIG. 5

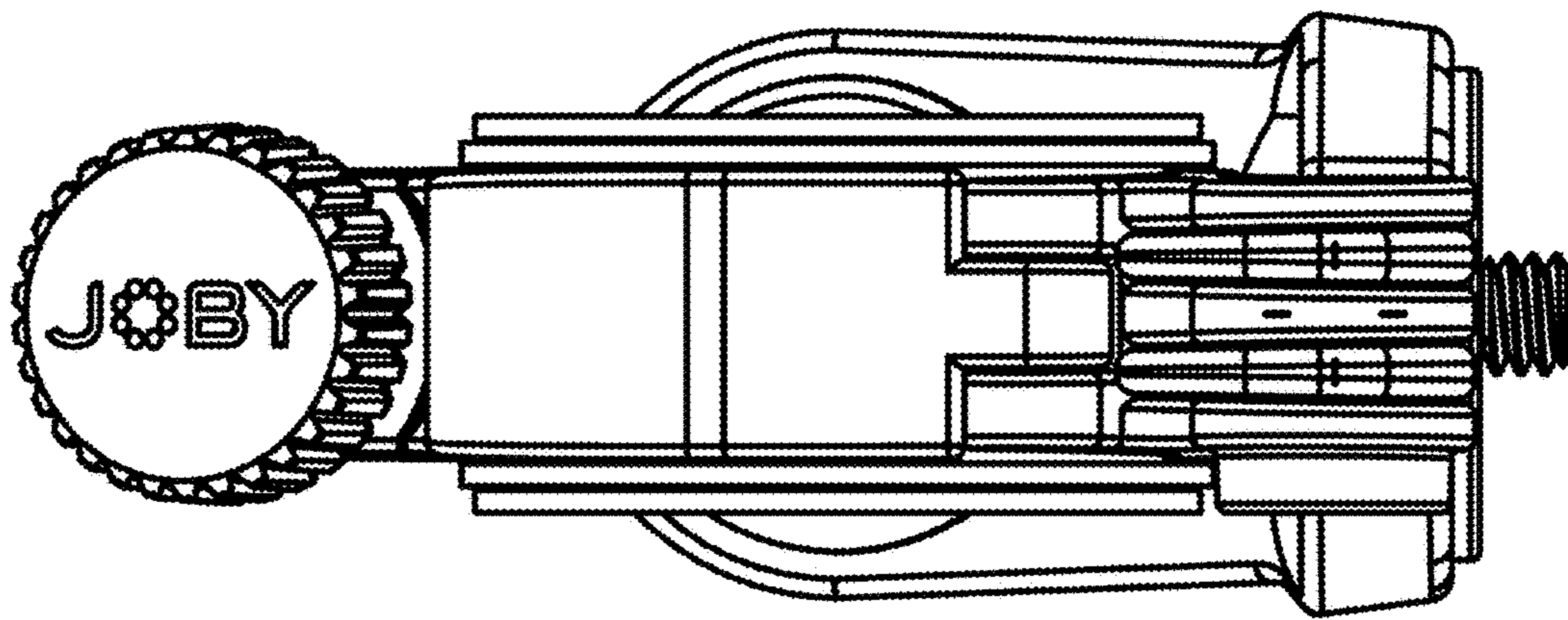


FIG. 6

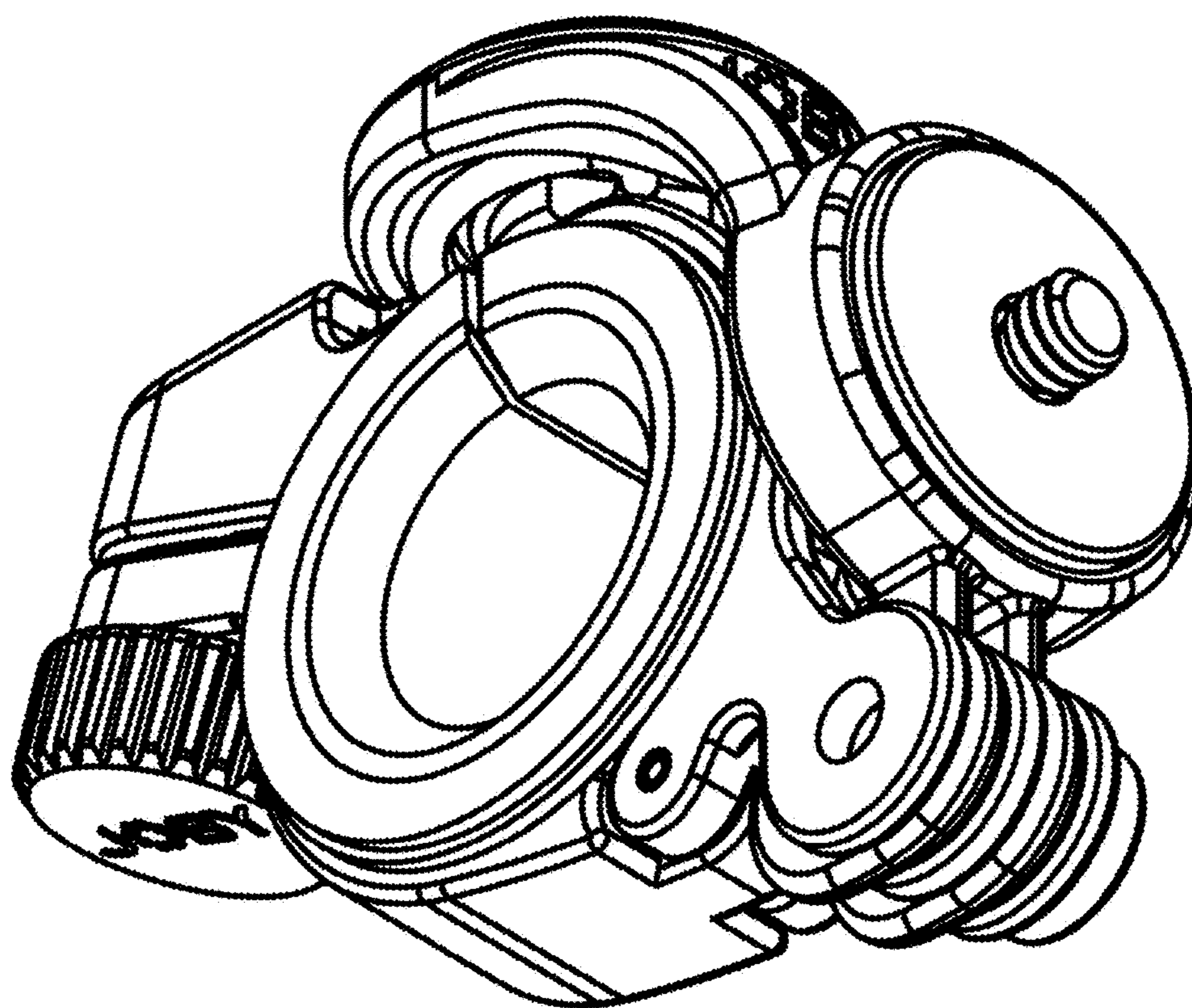


FIG. 7